



US00D394895S

United States Patent [19]

Moody

[11] Patent Number: **Des. 394,895**

[45] Date of Patent: ****Jun. 2, 1998**

[54] **WEIGHT STRING WINDER FOR DUCK DECOYS**

4,827,653 5/1989 Sewell 43/3
5,367,813 11/1994 Cherry 43/3

[75] Inventor: **J. Carroll Moody**, Bald Knob, Ark.

Primary Examiner—Doris V. Coles
Attorney, Agent, or Firm—Stephen D. Carver

[73] Assignee: **Whitewood Enterprises Inc.**, Bald Knob, Ark.

[57] **CLAIM**

[**] Term: **14 Years**

The ornamental design for a weight string winder for duck decoys, as shown and described.

[21] Appl. No.: **70,371**

DESCRIPTION

[22] Filed: **Apr. 29, 1997**

FIG. 1 is a front elevational view of a weight string winder for duck decoys showing my new design;
FIG. 2 is a front perspective view thereof;
FIG. 3 is a rear perspective view thereof;
FIG. 4 is a front elevational view thereof;
FIG. 5 is a rear elevational view thereof;
FIG. 6 is a top plan view thereof; and
FIG. 7 is a bottom plan view thereof.
The broken line showing of a decoy in FIG. 1 is for illustrative purposes only and forms no part of the claimed design.

[51] **LOC (6) Cl.** **22-05**

[52] **U.S. Cl.** **D22/125**

[58] **Field of Search** **D22/125; 43/2, 43/3; 242/379, 381.3, 375**

[56] **References Cited**

U.S. PATENT DOCUMENTS

D. 348,716 7/1994 Sbrocchi D22/125
4,757,630 7/1988 Torberg 43/3
4,826,099 5/1989 Johnson 43/3

1 Claim, 3 Drawing Sheets

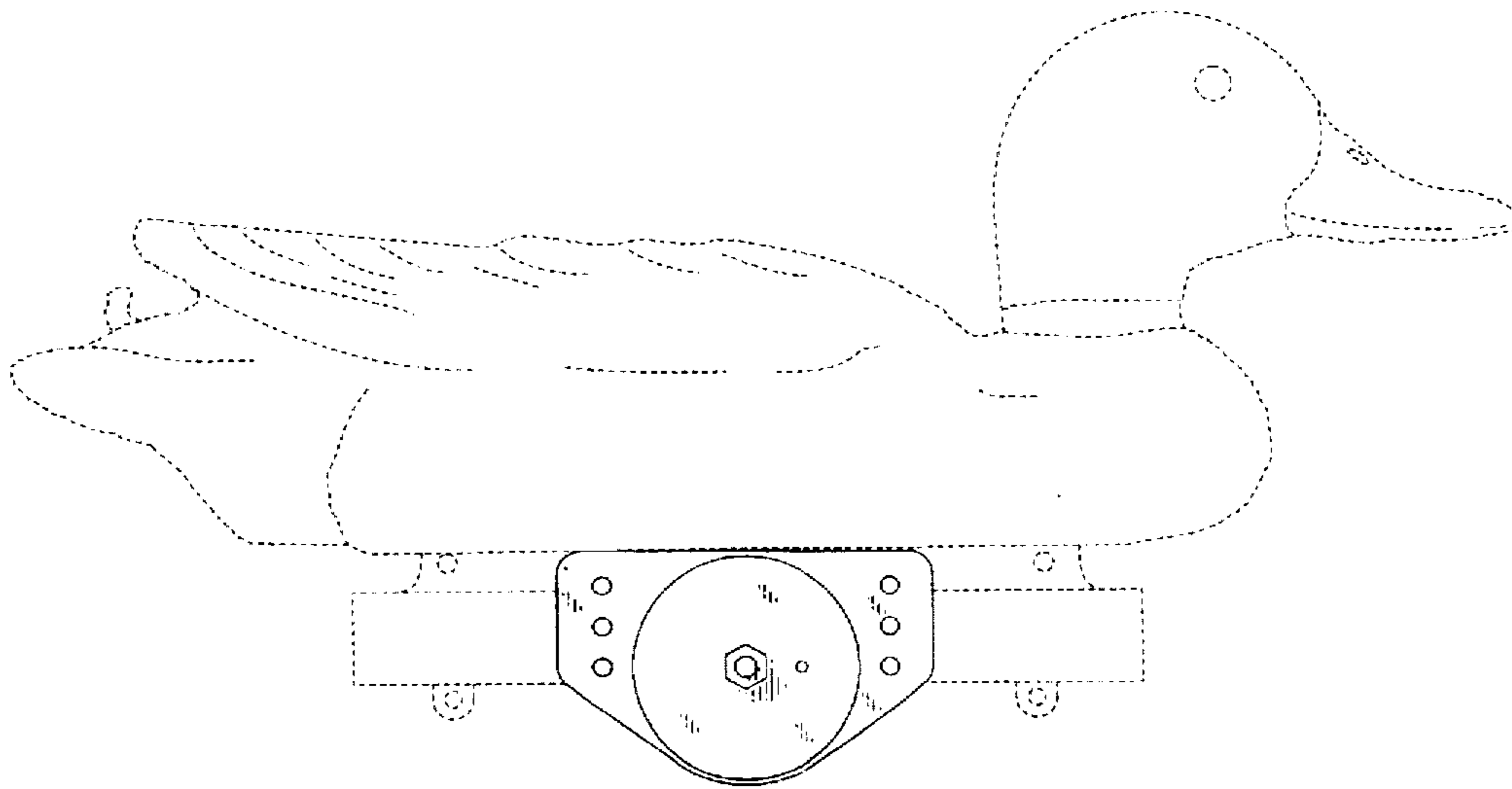


FIG. 1

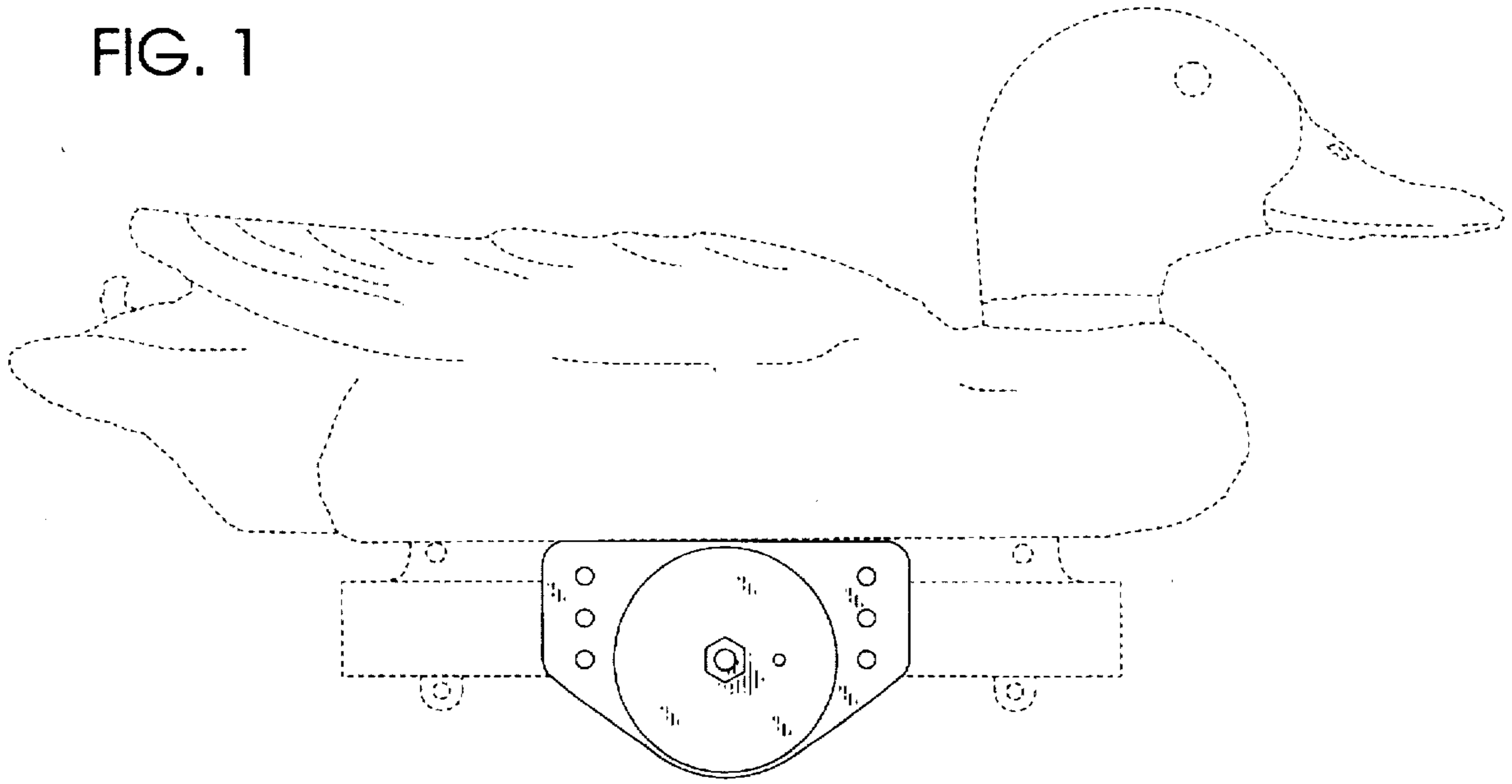


FIG. 2

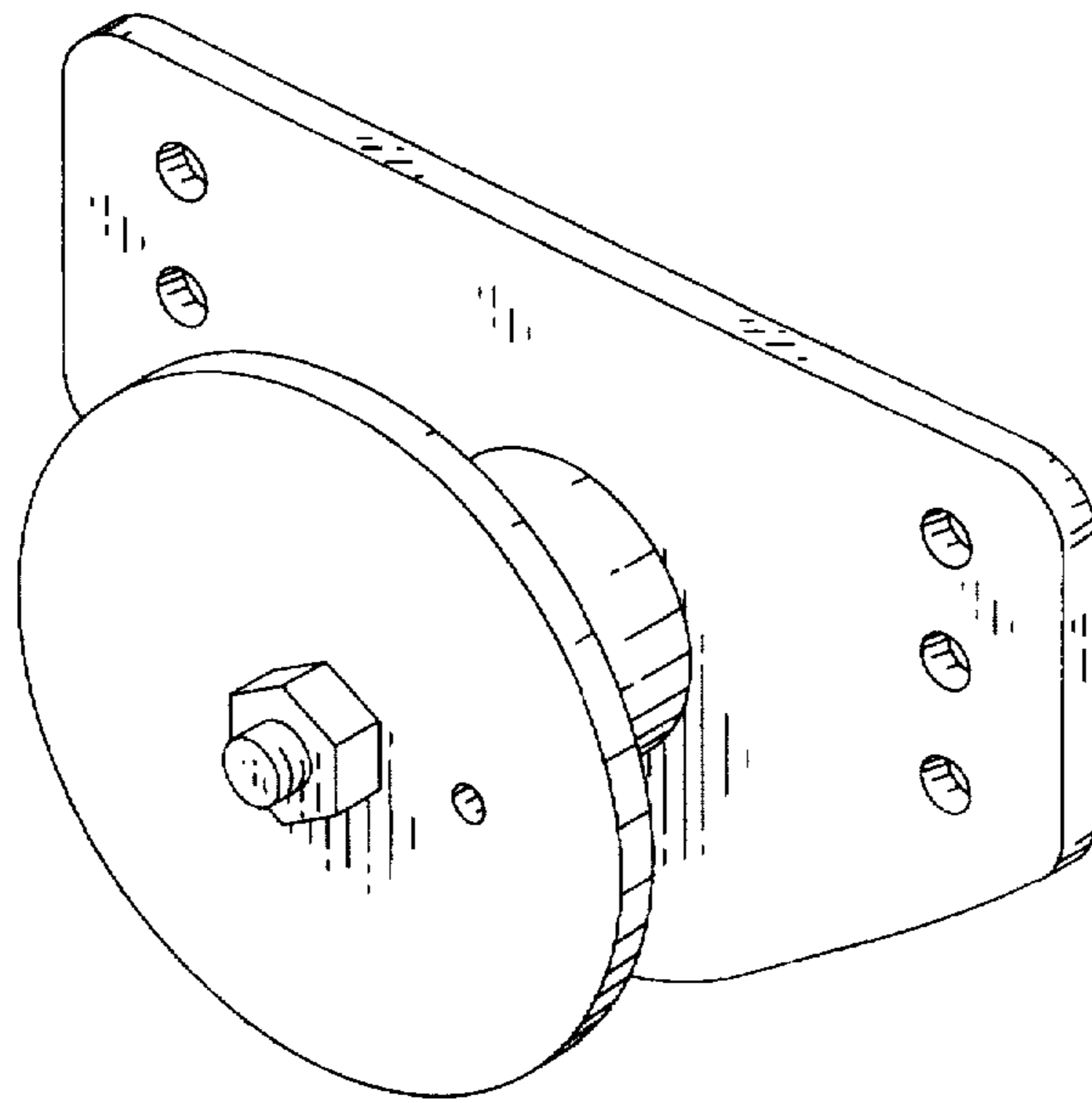


FIG. 3

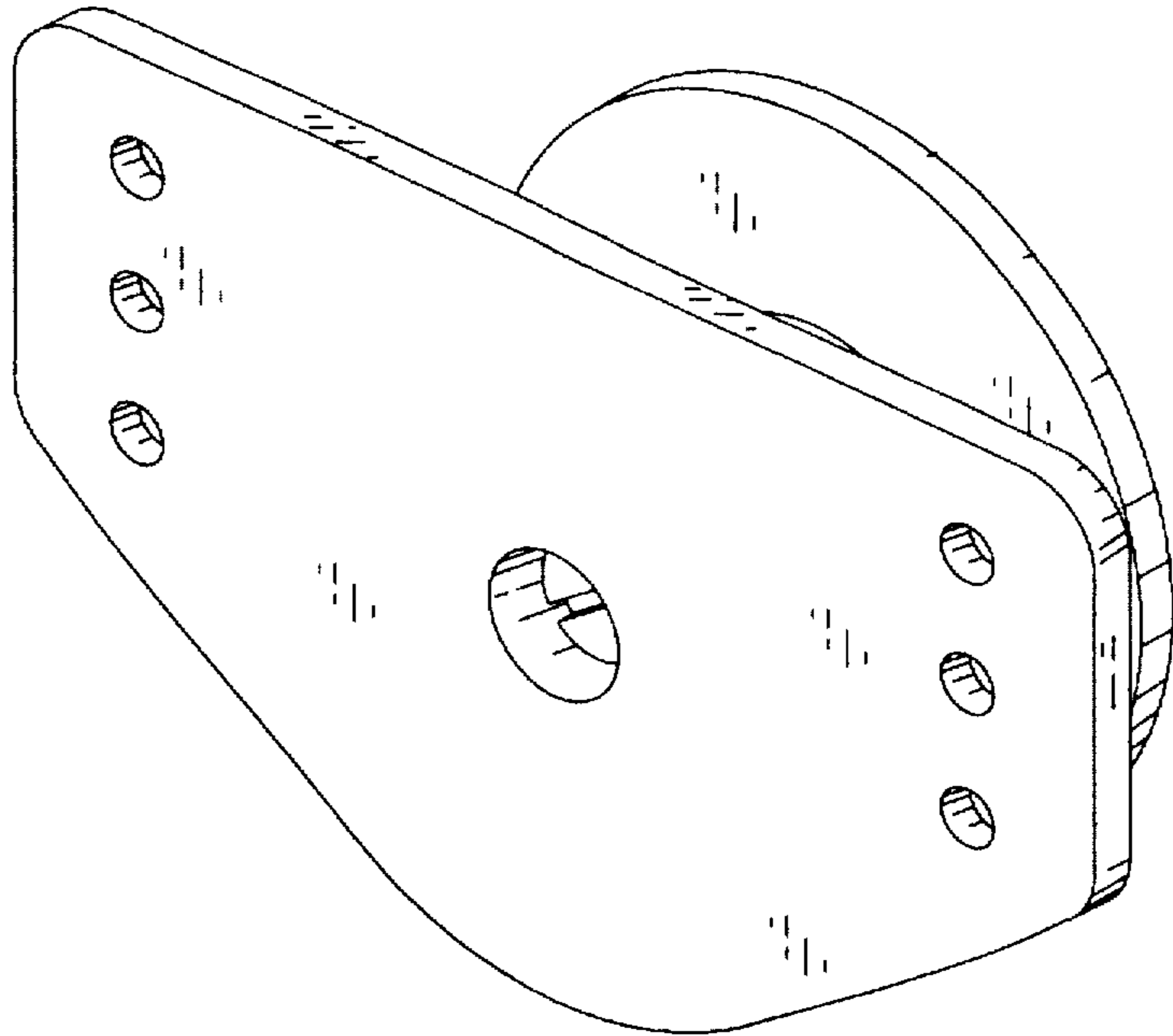


FIG. 4

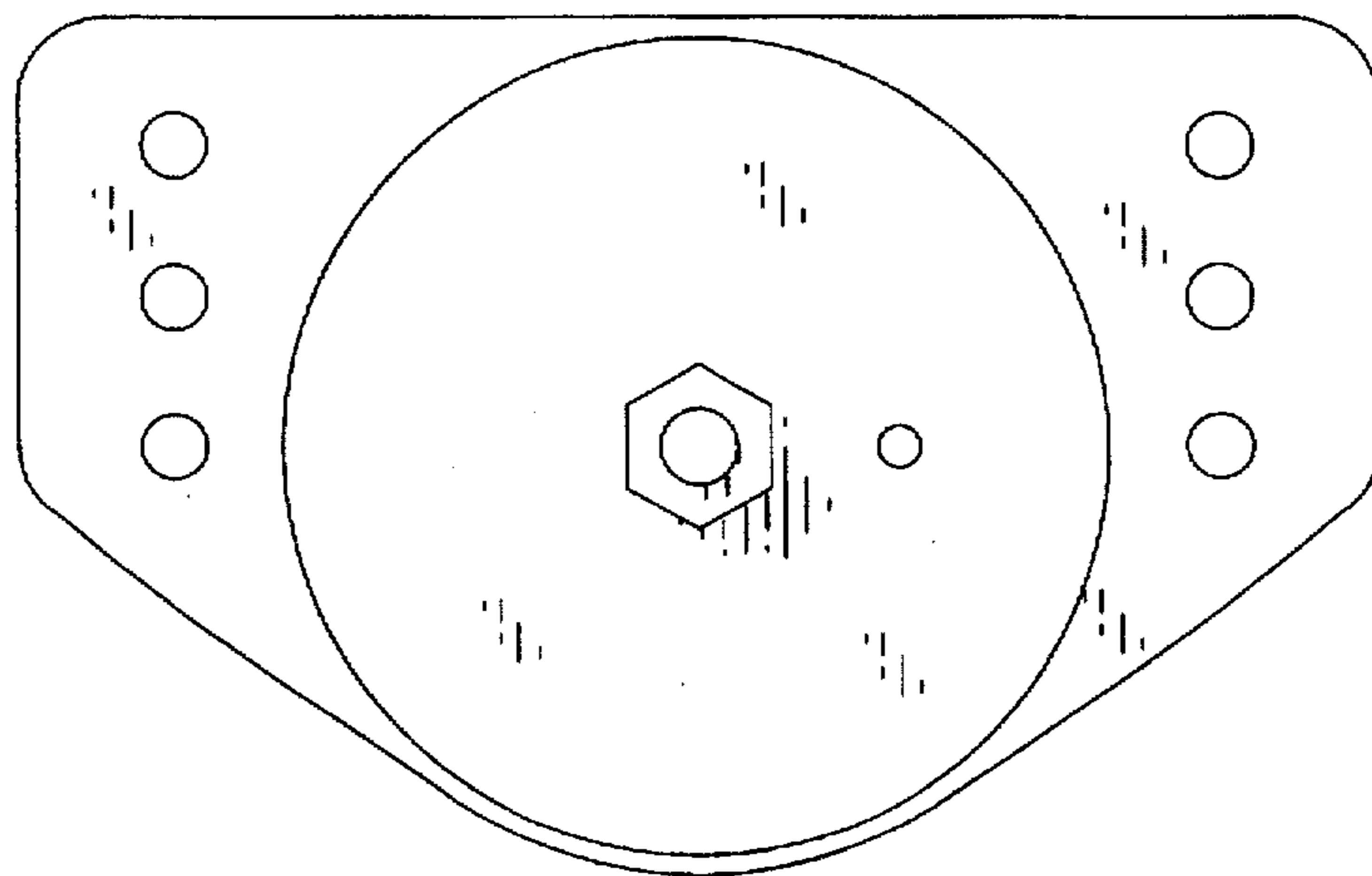


FIG. 5

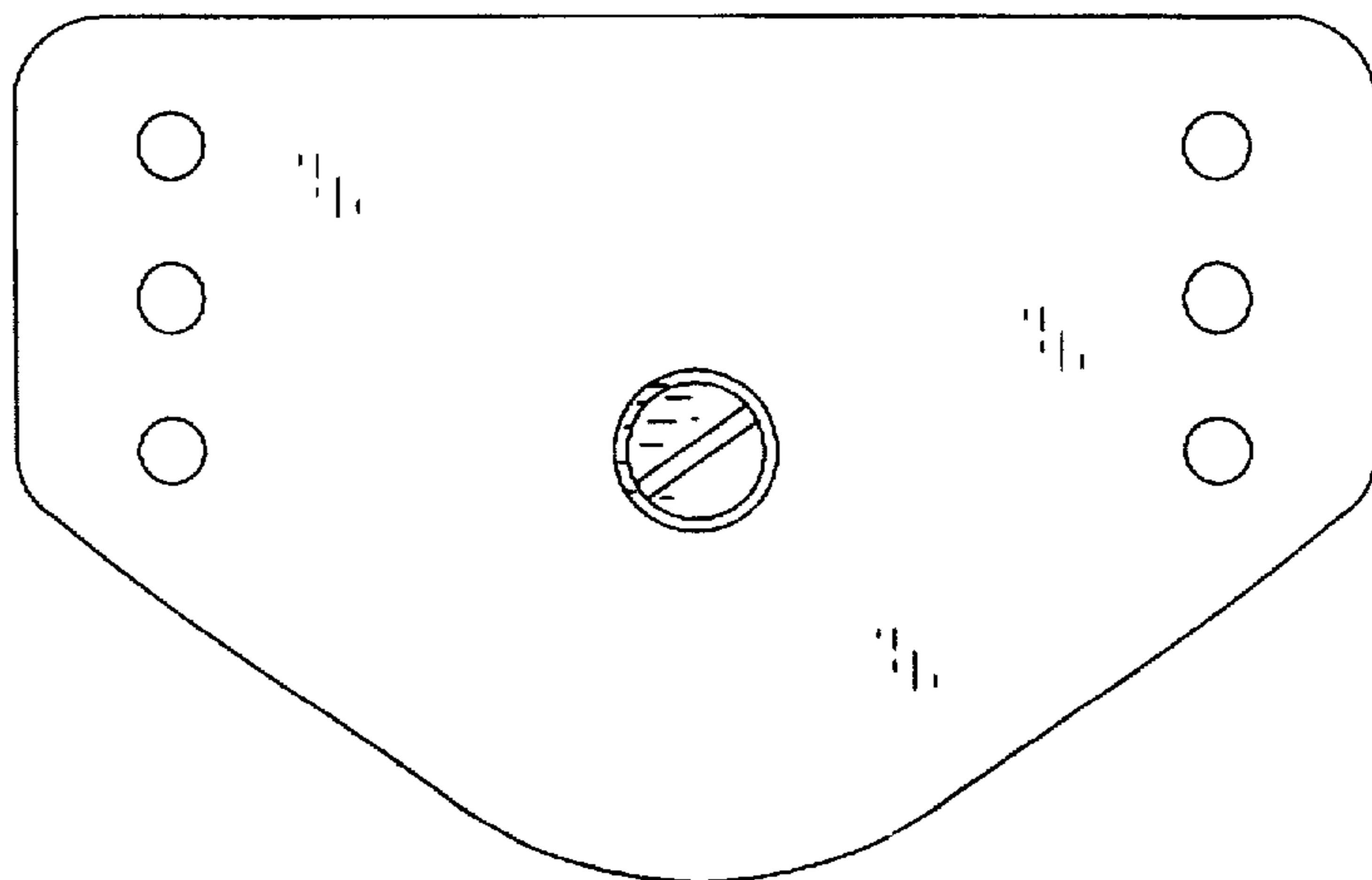


FIG. 6

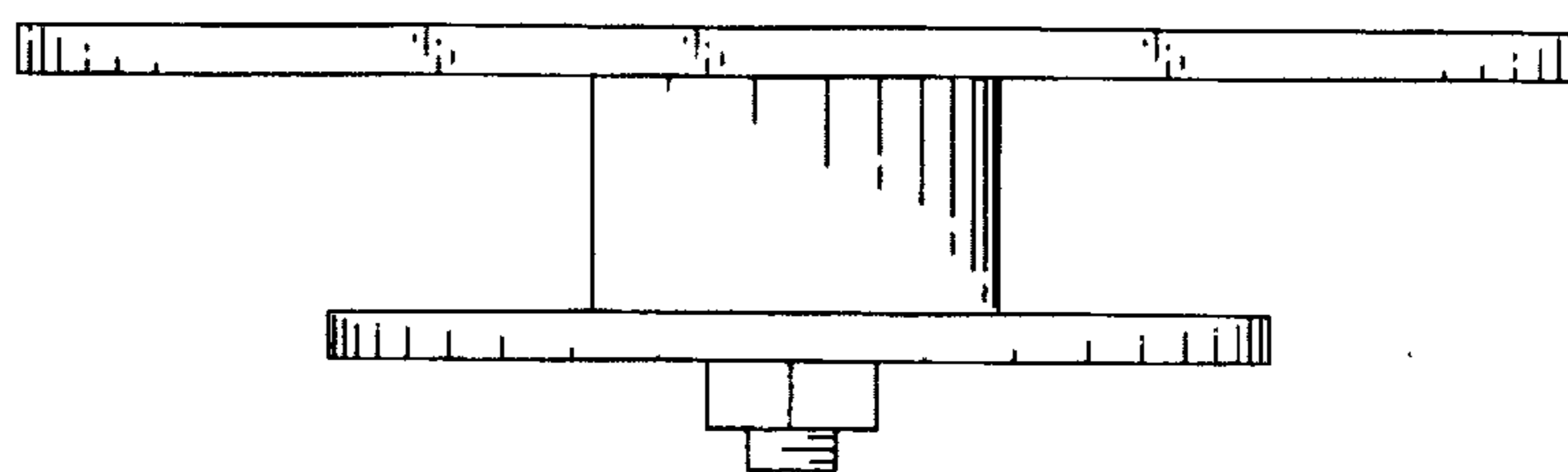


FIG. 7

