



US00D394887S

United States Patent [19]

Bottema

[11] Patent Number: Des. 394,887

[45] Date of Patent: **Jun. 2, 1998

[54] GOLF PUTTER HEAD

[75] Inventor: Robert A. Bottema, Carlsbad, Calif.

[73] Assignee: Tommy Armour Golf Company, Morton Grove, Ill.

[**] Term: 14 Years

[21] Appl. No.: 65,531

[22] Filed: Jan. 29, 1997

Related U.S. Application Data

[63] Continuation of Ser. No. 52,490, Jun. 5, 1996, abandoned.

[51] LOC (6) Cl. 21-02

[52] U.S. Cl. D21/217

[58] Field of Search D21/217-219; 473/251-256, 340, 341

[56] References Cited

U.S. PATENT DOCUMENTS

D. 254,800	4/1980	Diana	D21/219
D. 257,873	1/1981	MacDougall	.	
D. 279,497	7/1985	Brown	D21/217
D. 294,849	3/1988	Antonious	.	
D. 300,443	3/1989	Antonious	.	
D. 300,444	3/1989	Antonious	D21/217
D. 318,702	7/1991	Igarashi	.	
D. 350,176	8/1994	Antonious	.	
D. 352,538	11/1994	Williams, Jr.	.	
D. 357,290	4/1995	Viollaz et al.	.	
D. 364,205	11/1995	Duclos	.	
D. 368,751	4/1996	Rife	D21/219
D. 369,393	4/1996	Takahashi et al.	D21/217
4,458,900	7/1984	Antonious	.	
5,174,573	12/1992	Desbiolles et al.	.	

5,221,086 6/1993 Antonious .

Primary Examiner—Ted Shooman

Assistant Examiner—Mitchell I. Siegel

Attorney, Agent, or Firm—Tilton, Fallon, Lungmus & Chestnut

[57] CLAIM

The ornamental design for a golf putter head, as shown and described.

DESCRIPTION

FIG. 1 is a perspective view of a golf putter head embodying my new design;

FIG. 2 is a front elevational view of the golf putter head shown in FIG. 1;

FIG. 3 is a toe end elevational view of the golf putter head shown in FIG. 1;

FIG. 4 is a rear elevational view of the golf putter head shown in FIG. 1;

FIG. 5 is a top plan view of the golf putter head shown in FIG. 1;

FIG. 6 is a bottom plan view of the golf putter head shown in FIG. 1;

FIG. 7 is a heel end elevational view of the golf putter head shown in FIG. 1;

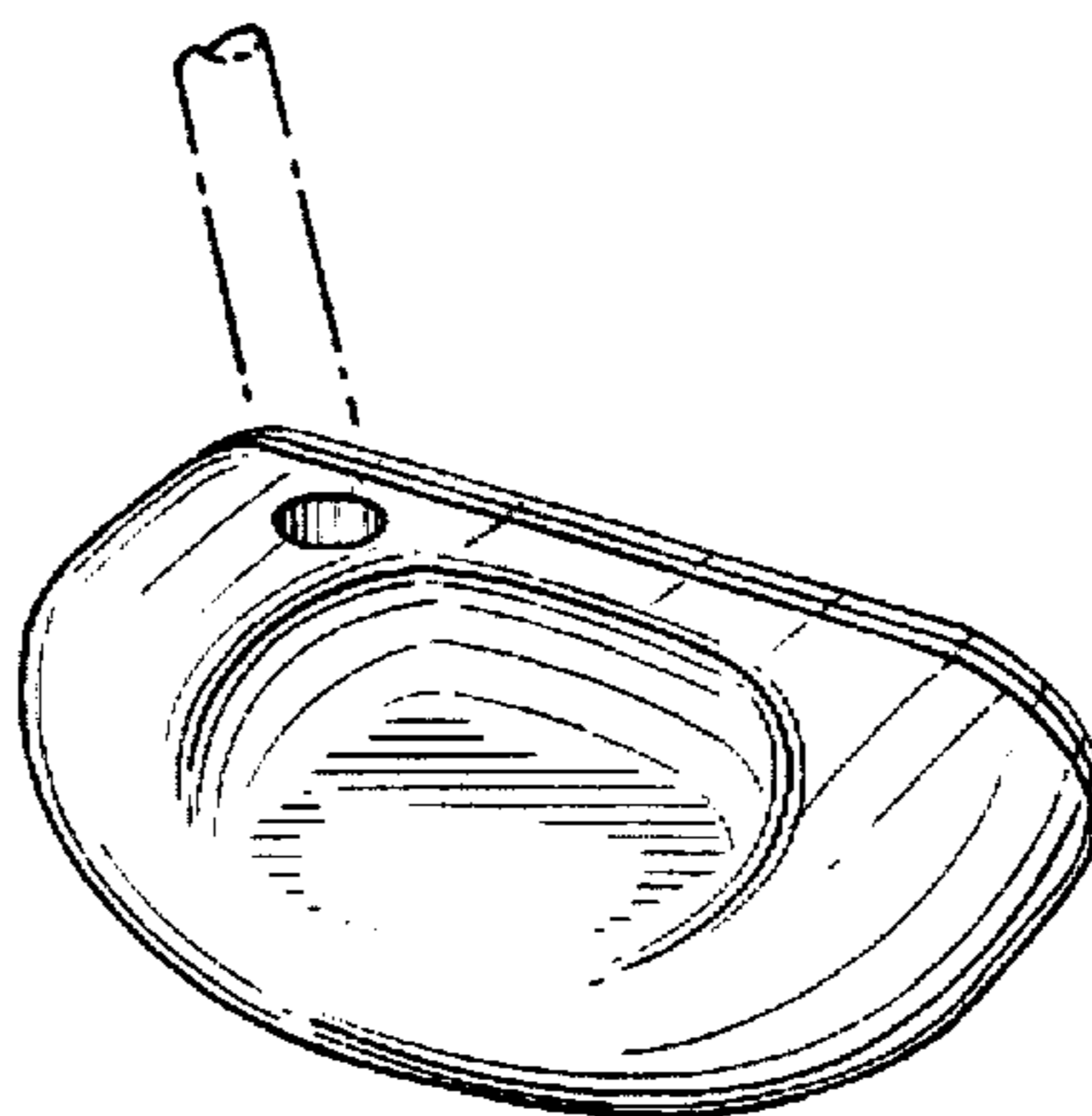
FIG. 8 is bottom plan view of a second embodiment of the golf club head as disclosed in FIG. 1; and,

FIG. 9 is bottom plan view of a third embodiment of the golf club head as disclosed in FIG. 1.

The undisclosed sides of the second and third embodiments are identical to those disclosed in FIGS. 1-6.

The broken line showing of fragmented shaft in FIGS. 1-4 and 7 is for illustrative purposes only and forms no part of the claimed design.

1 Claim, 2 Drawing Sheets



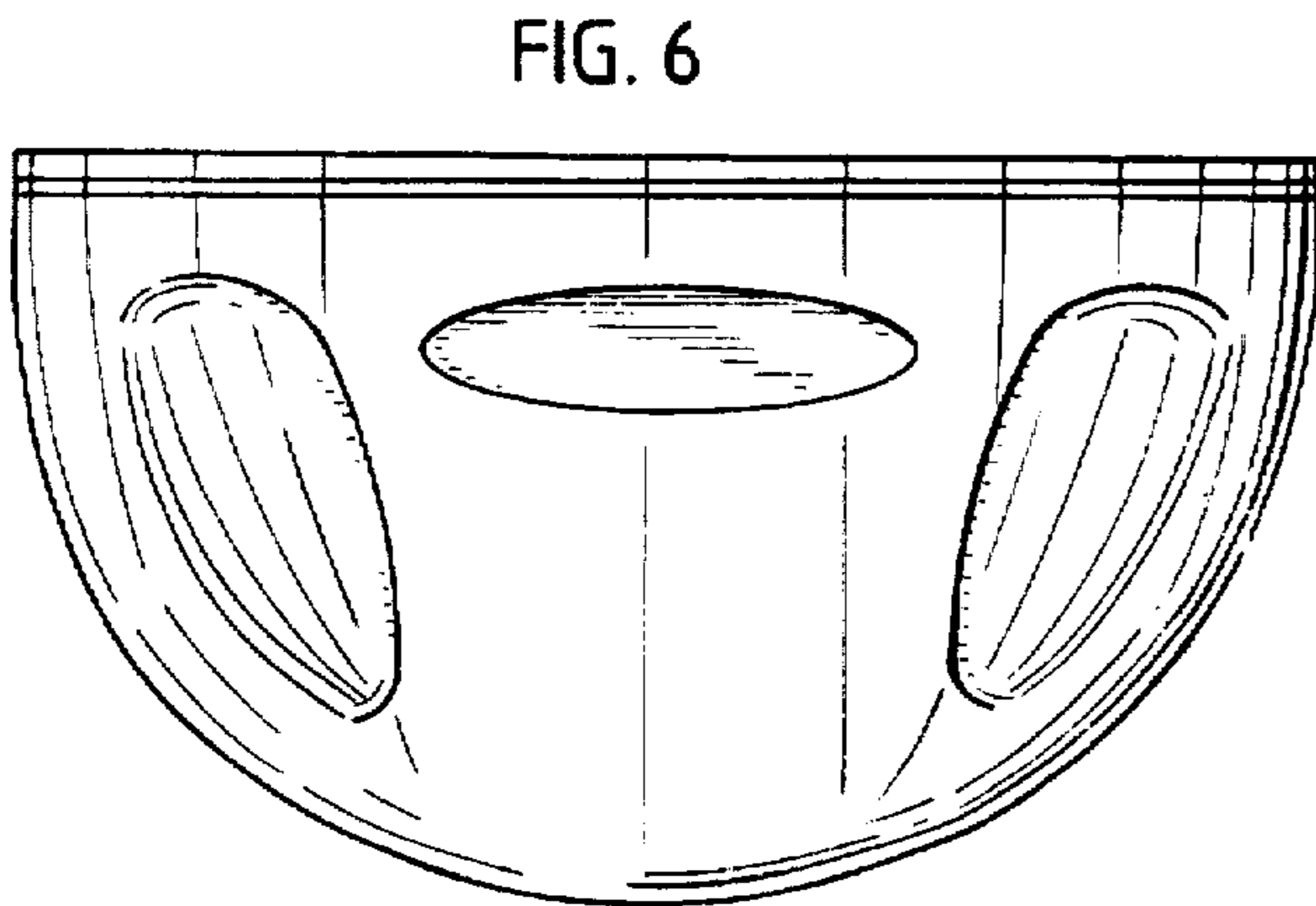
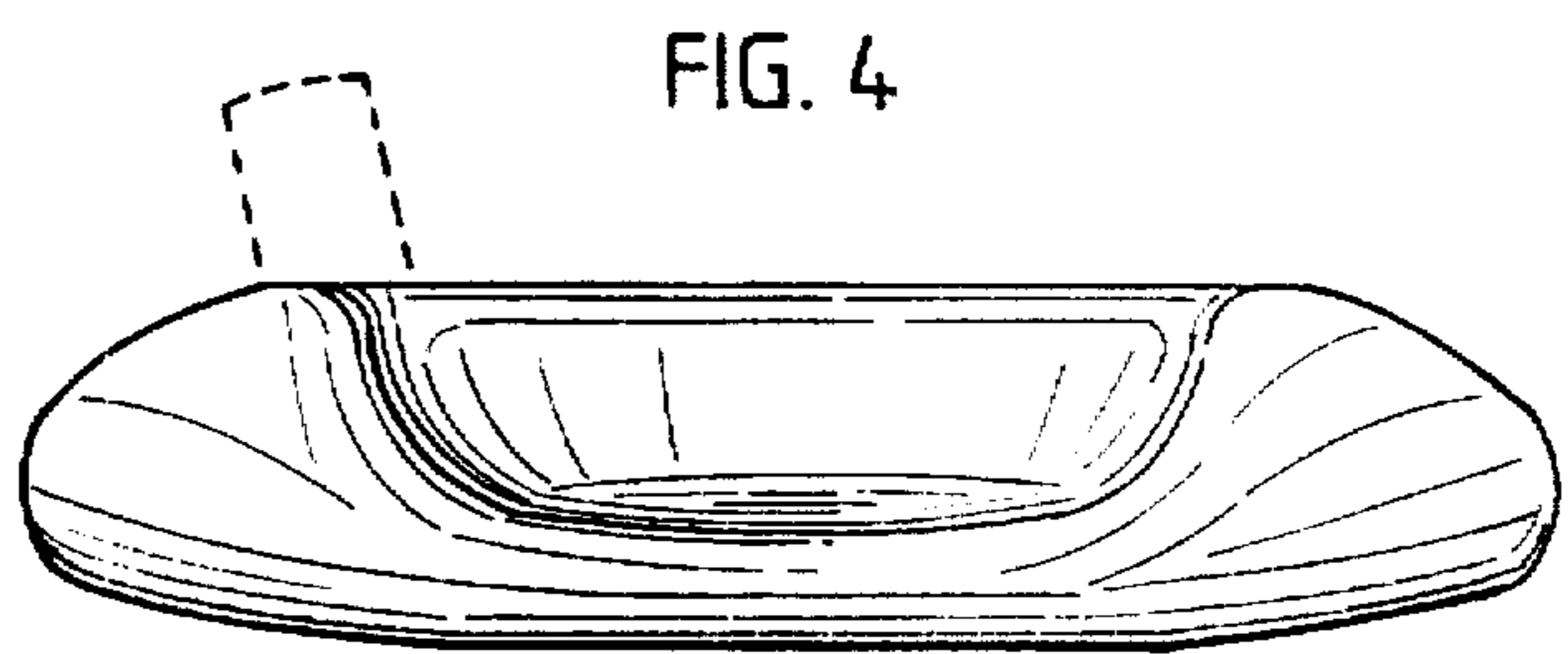
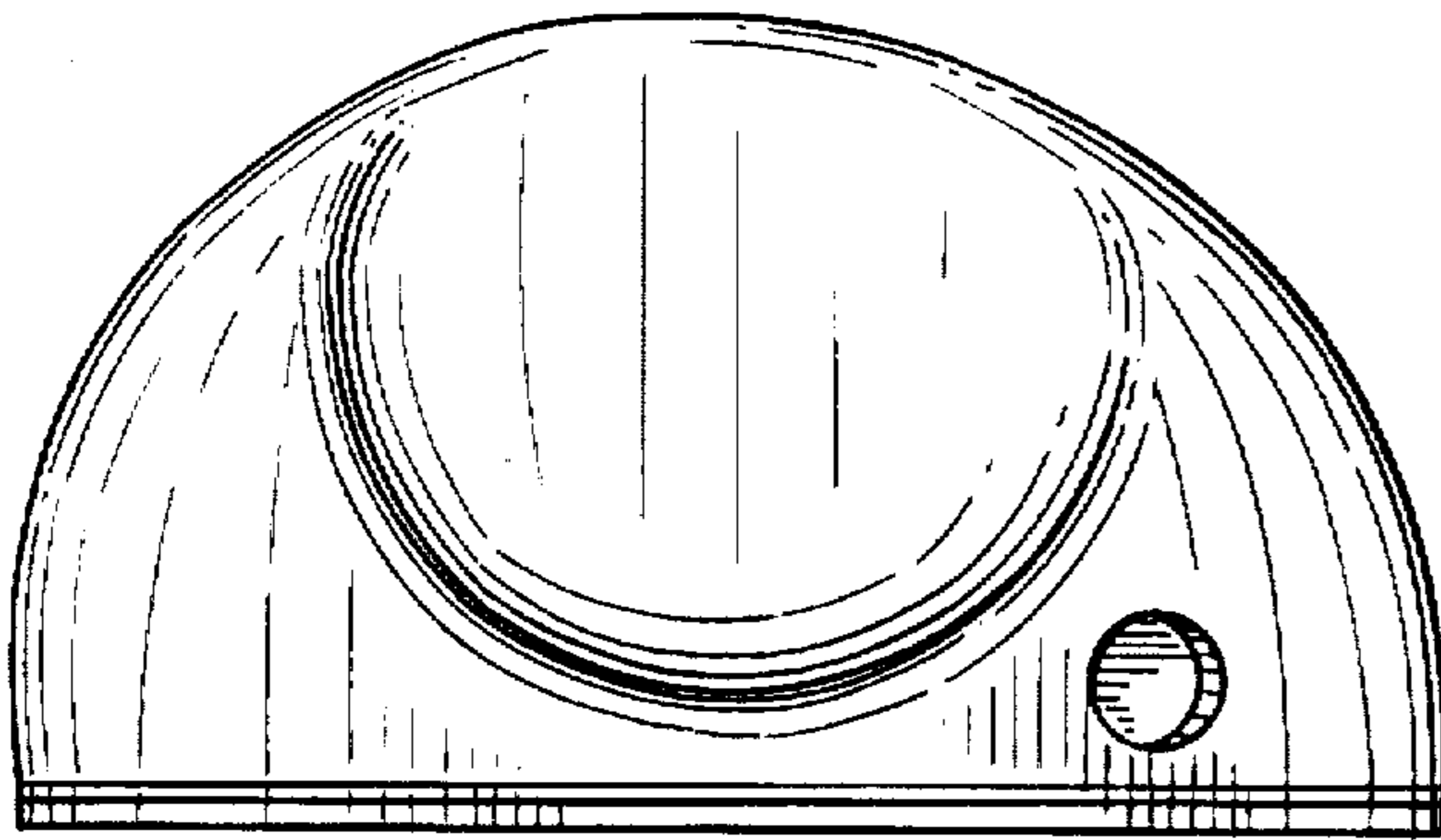
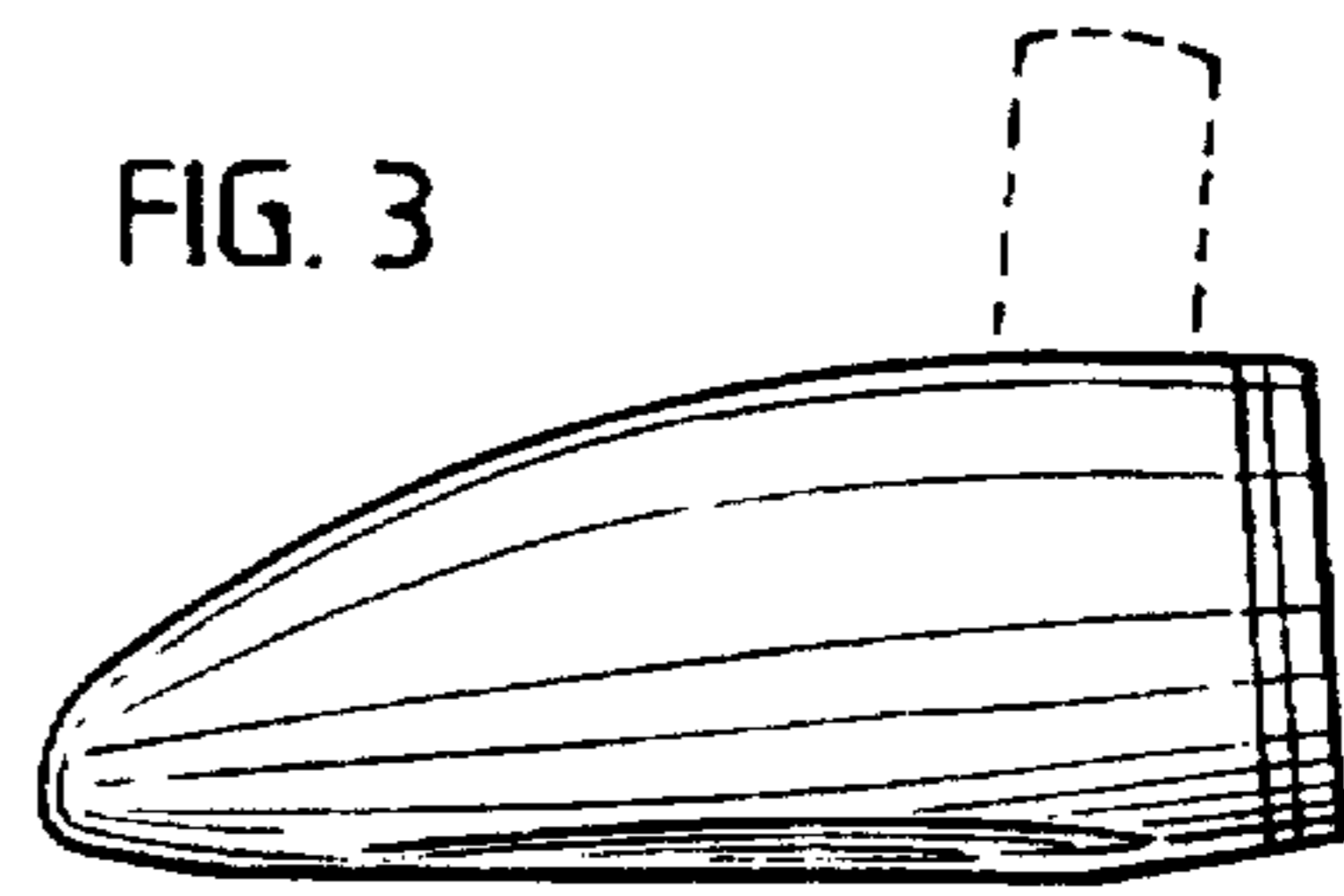
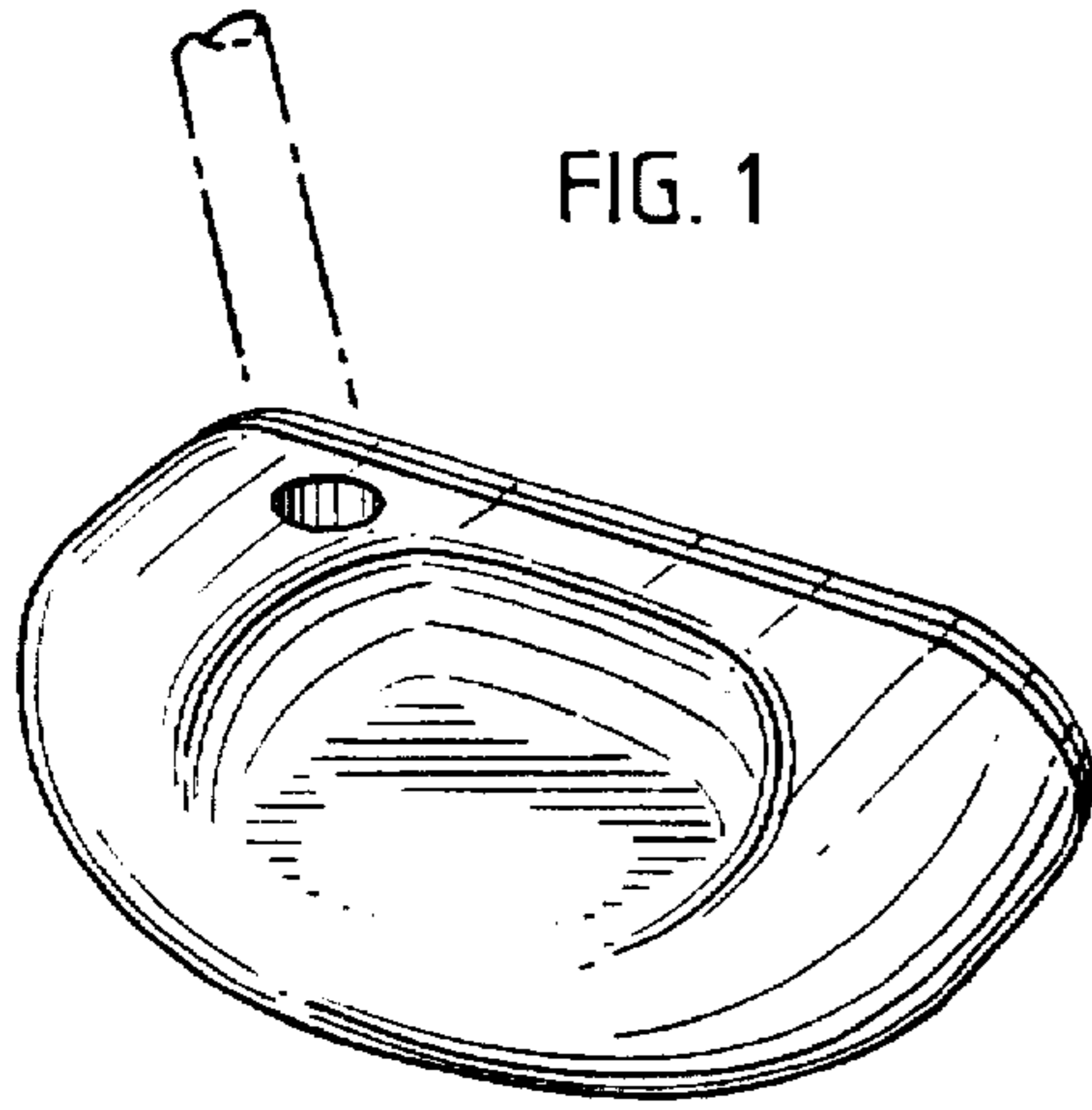


FIG. 7

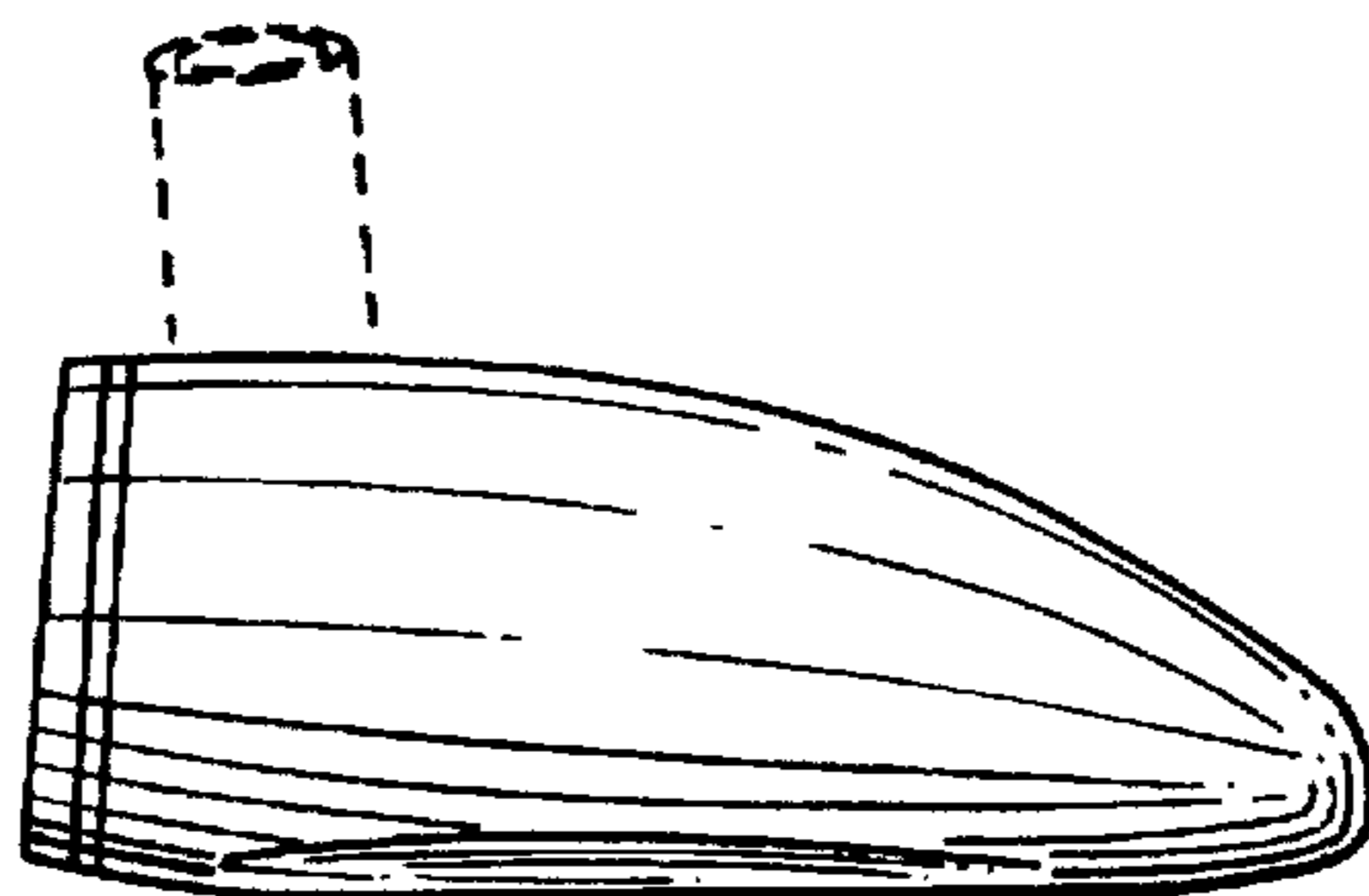


FIG. 8

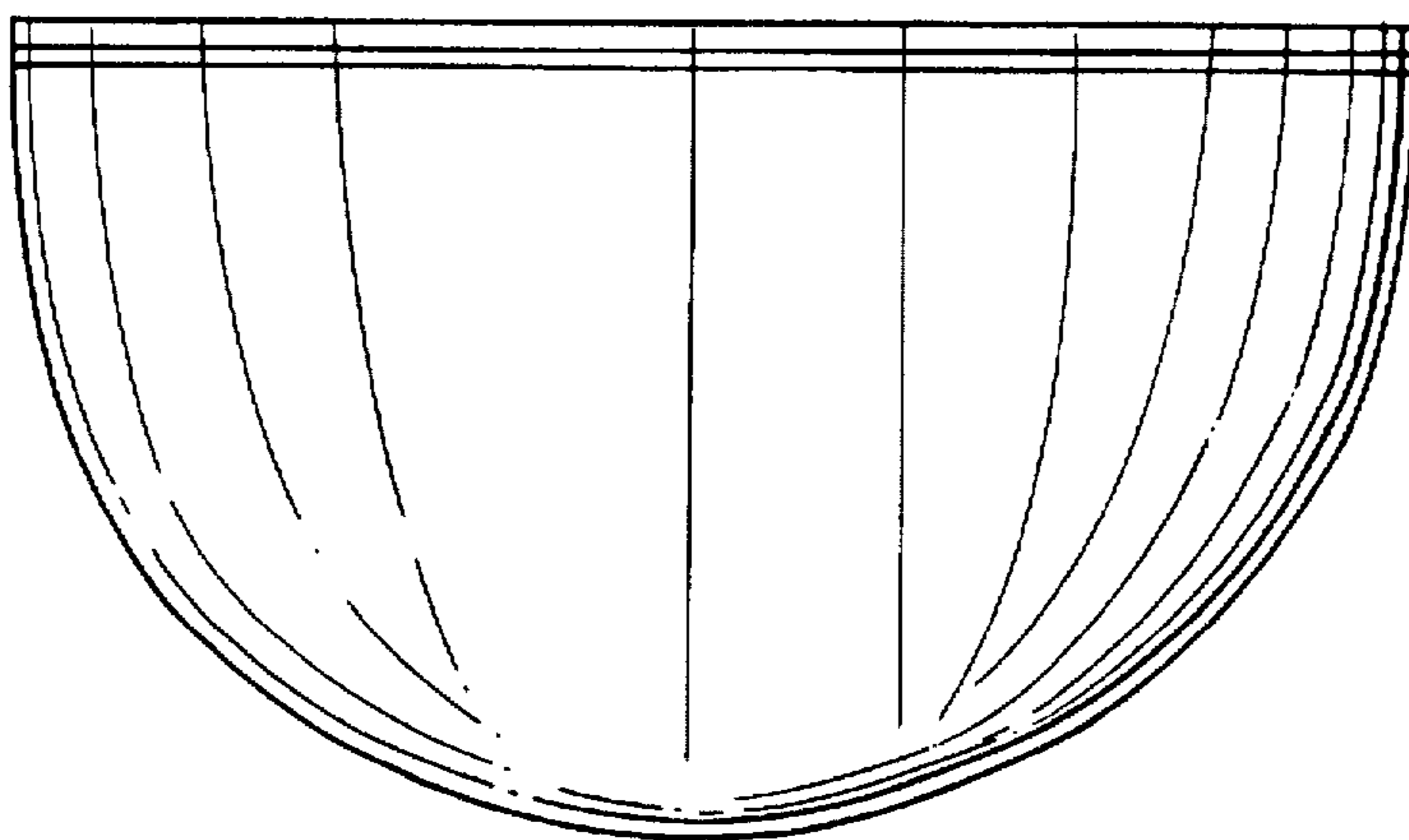


FIG. 9

