



US00D394874S

United States Patent [19]
Aguilar

[11] **Patent Number: Des. 394,874**
[45] **Date of Patent: **Jun. 2, 1998**

[54] **PHOTO ALBUM**

[76] **Inventor: Alfonso Aguilar, 904 Bolivia, El Paso, Tex. 79903**

[**] **Term: 14 Years**

[21] **Appl. No.: 68,607**

[22] **Filed: Apr. 1, 1997**

[51] **LOC (6) Cl. 19-04**

[52] **U.S. Cl. D19/26; D6/310**

[58] **Field of Search D3/271; D6/300-312, D6/631; D19/35, 36, 26, 27, 75, 76, 86, 90, 91, 99, 100; D16/225, 235, 236, 237, 250; 40/152, 152.1, 154-157, 720, 721, 774; 281/15.1, 19.1, 29, 45**

[56] **References Cited**

U.S. PATENT DOCUMENTS

- D. 057,187 3/1921 Davis D6/631
- D. 160,758 10/1950 Zenner et al. D6/301
- D. 208,511 9/1967 Rice D6/310 X
- D. 295,189 4/1988 Gordon D19/26

- D. 307,677 5/1990 Tontarelli D6/311
- D. 353,942 1/1995 Lo et al. D6/310
- D. 361,789 8/1995 Hewitt et al. D16/250 X
- 2,737,745 3/1956 Hartmann 40/721
- 4,164,085 8/1979 Steeb et al. 40/152

Primary Examiner—Martie Thompson
Attorney, Agent, or Firm—Robert Sassone

[57] **CLAIM**

The ornamental design for a photo album, as shown and described.

DESCRIPTION

FIG. 1 is a left front perspective view of a photo album showing my new design;
FIG. 2 is a top plan view;
FIG. 3 is a front elevational view;
FIG. 4 is a side elevational view, the opposite side being identical thereto;
FIG. 5 is a bottom plan view; and,
FIG. 6 is a top plan view with the cover member removed for convenience of illustration.

1 Claim, 1 Drawing Sheet

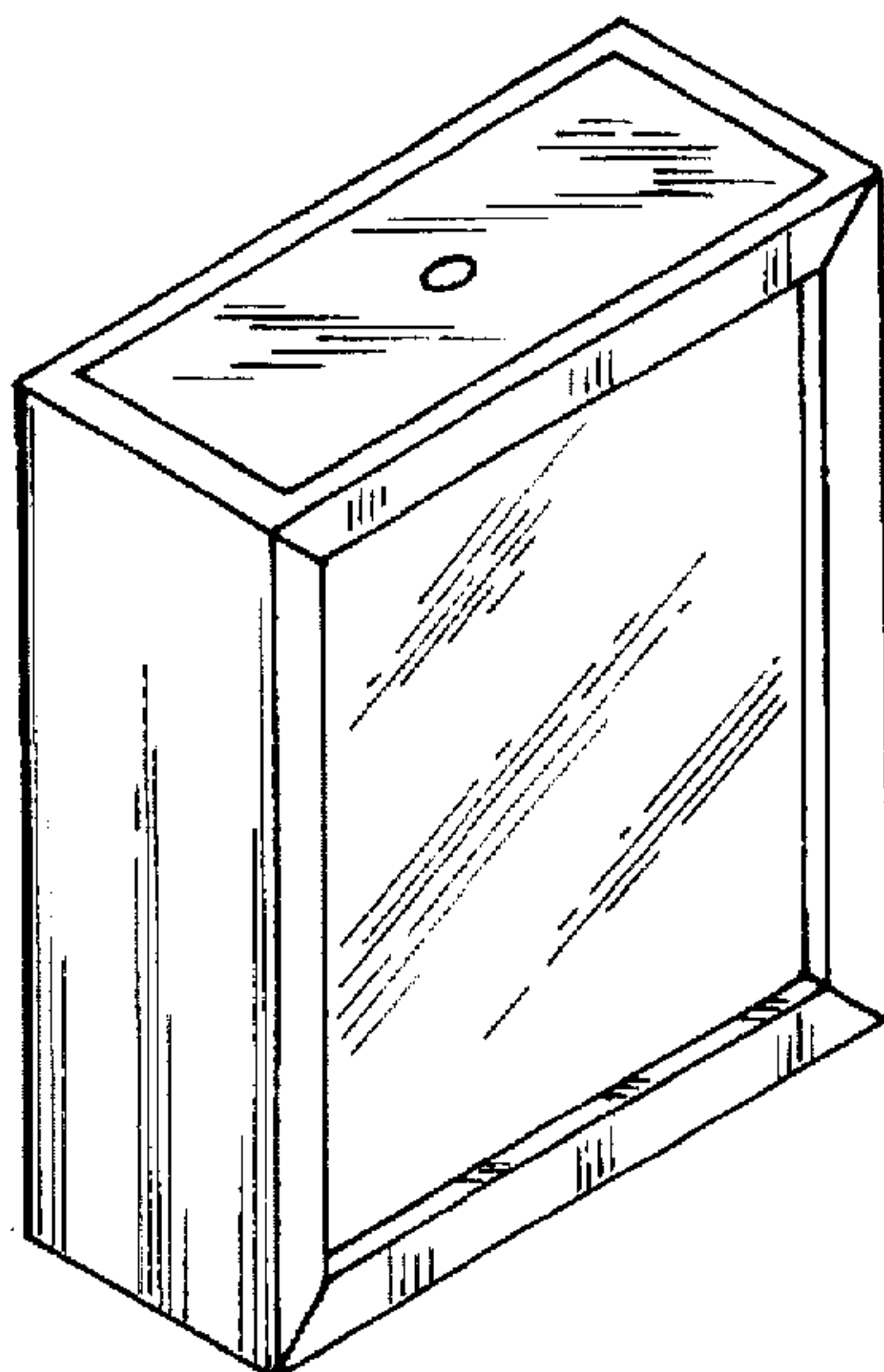


FIG. 1

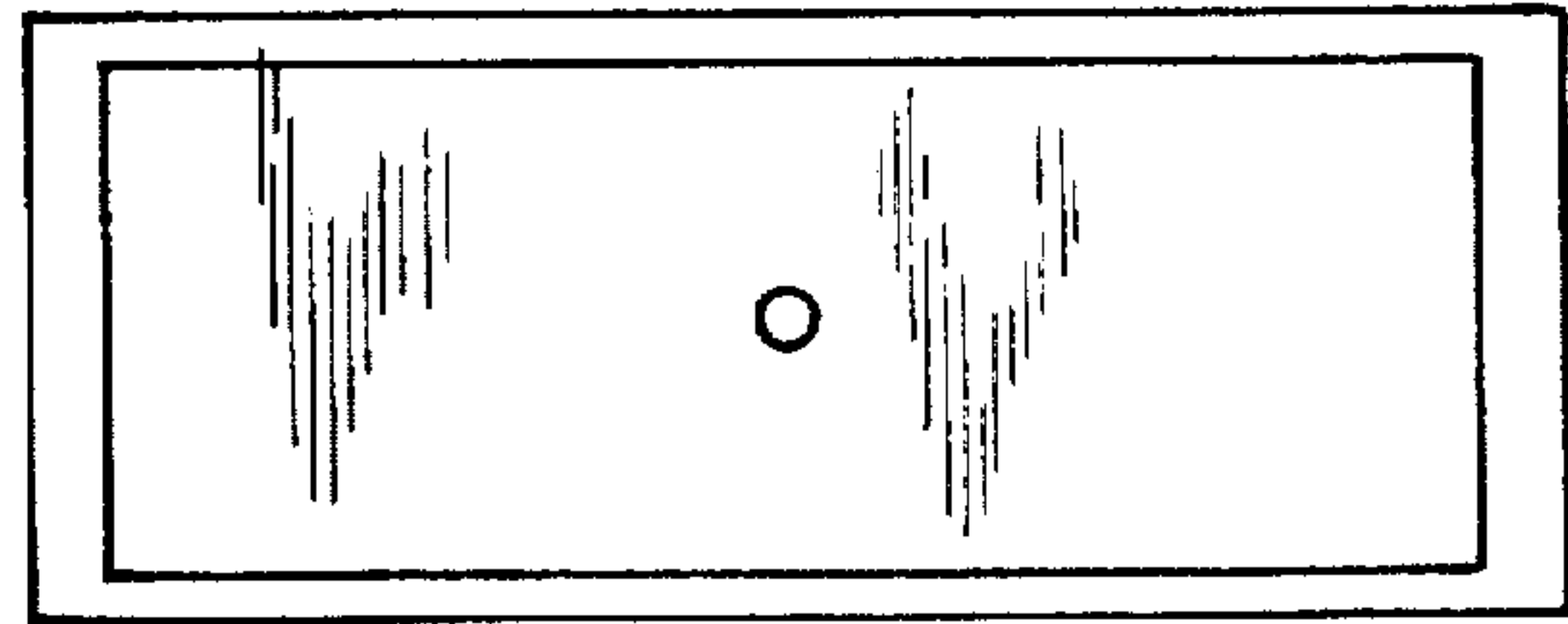
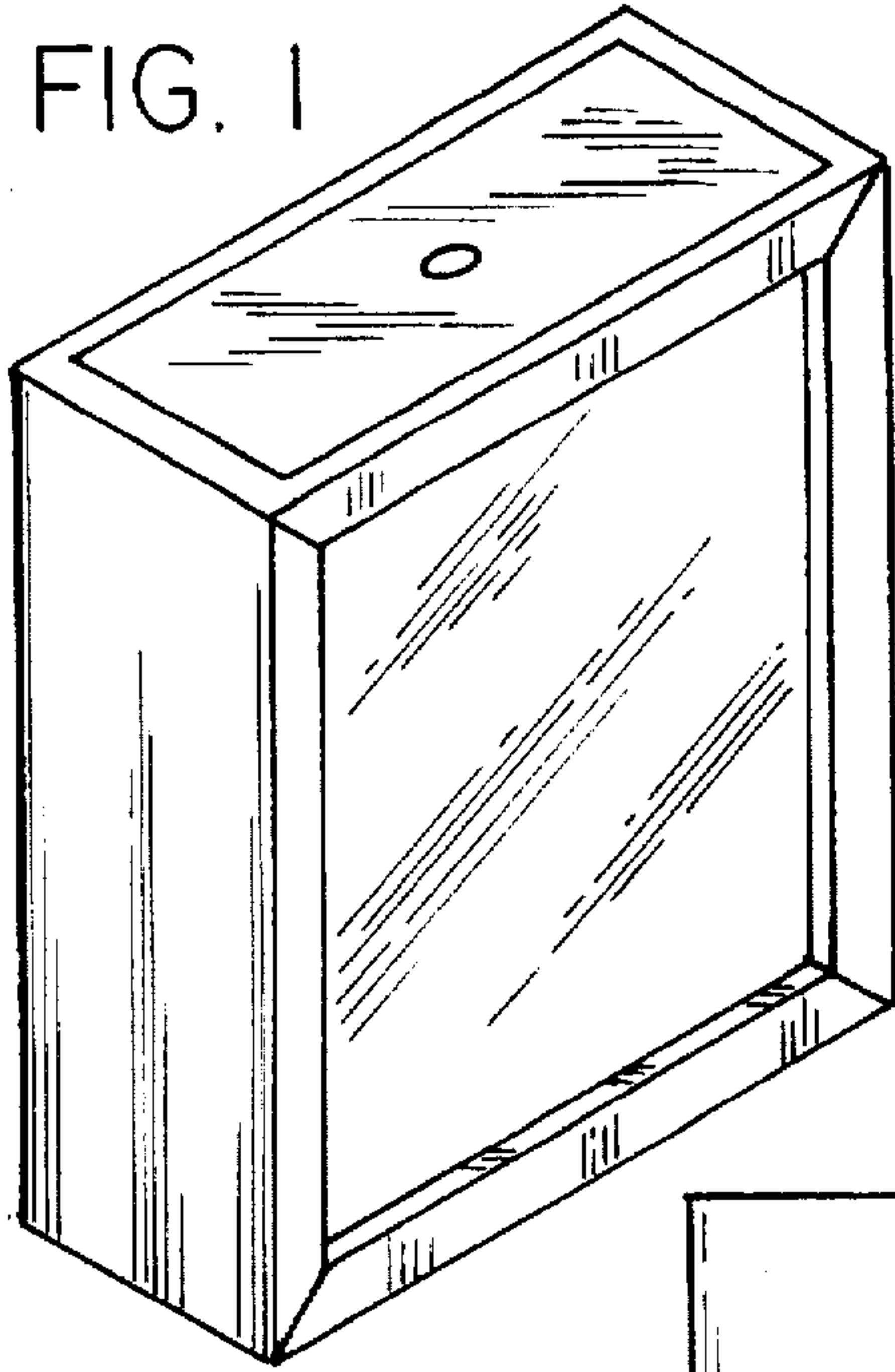


FIG. 2

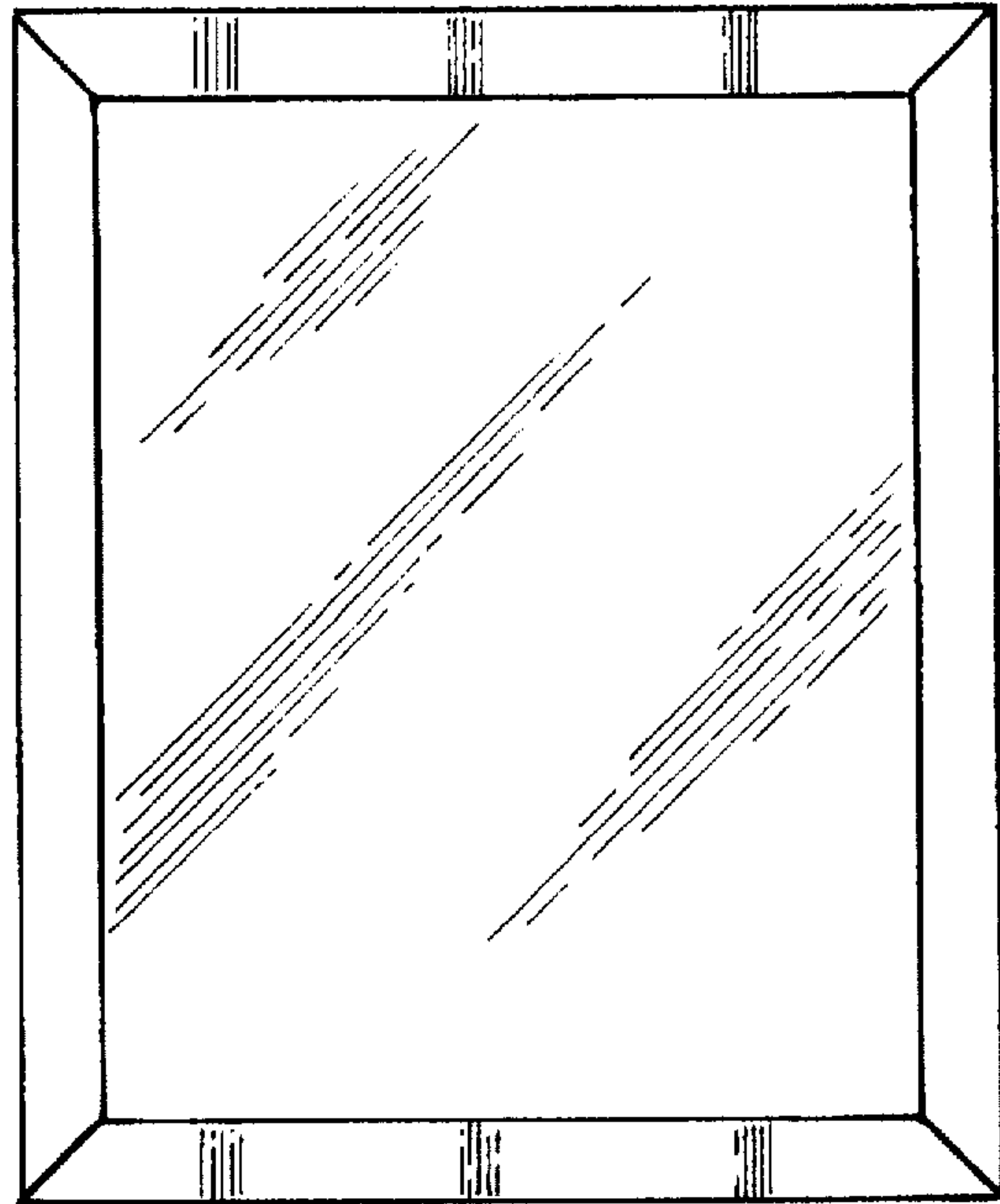


FIG. 3

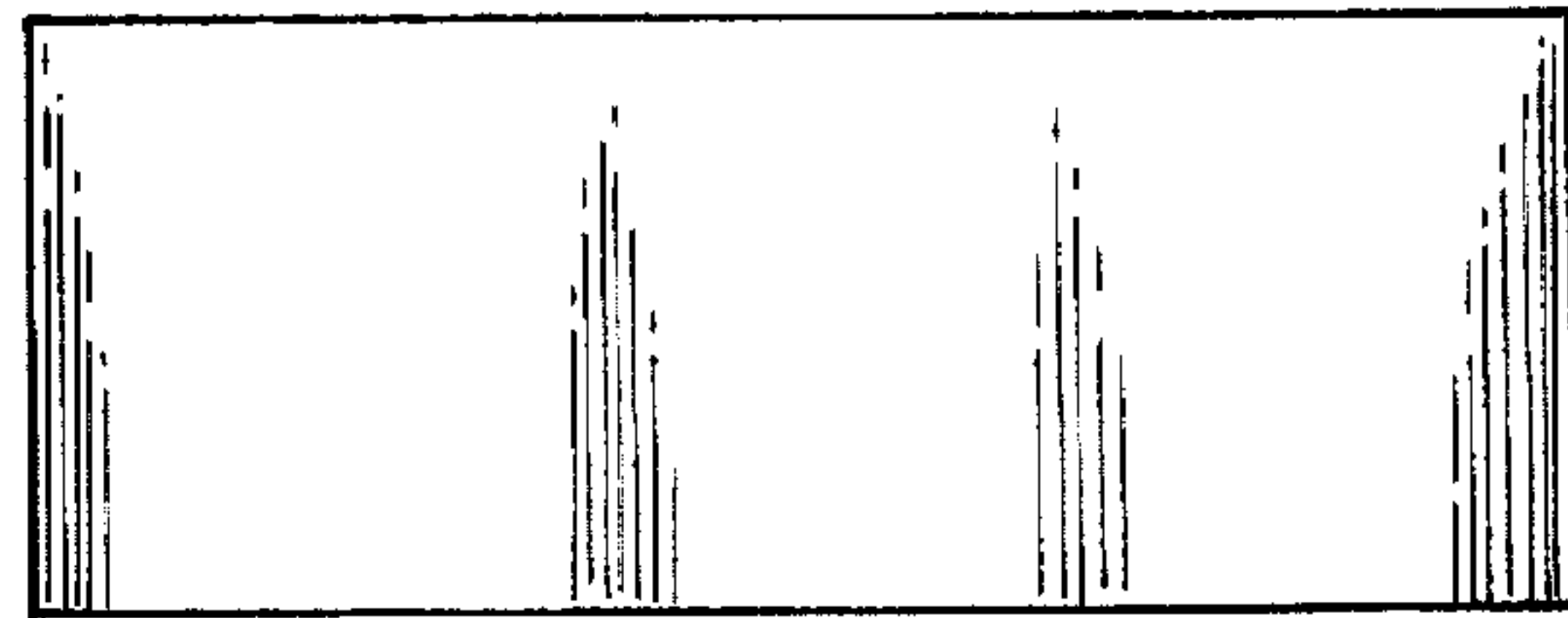


FIG. 4

FIG. 5

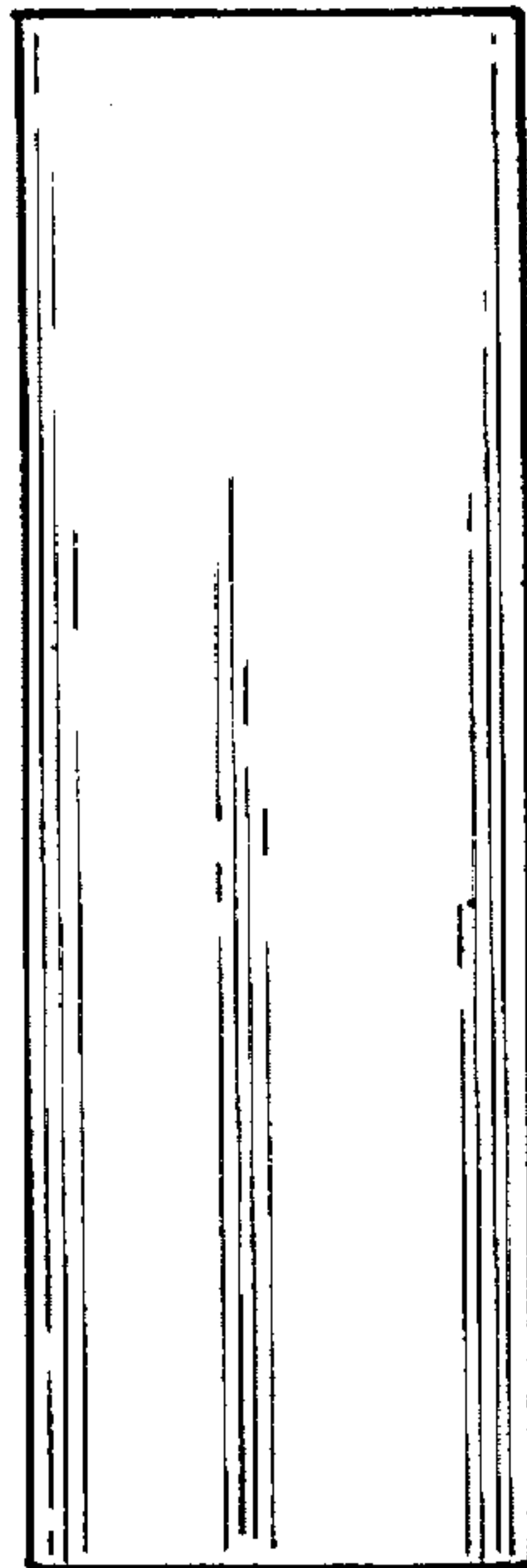


FIG. 6

