



US00D394870S

United States Patent [19]
Palmer

[11] **Patent Number: Des. 394,870**
[45] **Date of Patent: **Jun. 2, 1998**

[54] **MODULAR NIGHT VISION DEVICE FOR A TELEVISION CAMERA**

5,119,203 6/1992 Hosaka et al. 348/375
5,444,507 8/1995 Palmer 396/544

[75] Inventor: **Gary L. Palmer**, Vinton, Va.

Primary Examiner—Ted Shooman
Assistant Examiner—Adir Aronovich
Attorney, Agent, or Firm—Plevy & Associates

[73] Assignee: **ITT Industries, Inc.**, White Plains, N.Y.

[57] **CLAIM**

[**] Term: **14 Years**

The ornamental design for a modular night vision device for a television camera, as shown and described.

[21] Appl. No.: **64,624**

DESCRIPTION

[22] Filed: **Jan. 7, 1997**

[51] **LOC (6) Cl.** **16-05**

FIG. 1 is a perspective view of a modular night vision device for a television camera showing my new design, the broken lines are for illustrative purposes only and form no part of the claimed design;

[52] **U.S. Cl.** **D16/237; D16/219**

FIG. 2 is a front view thereof;

[58] **Field of Search** **D16/219, 237; 348/216, 217, 373-376; 396/429, 544**

FIG. 3 is a top view;

FIG. 4 is a left side view;

FIG. 5 is a right side view;

FIG. 6 is a rear view; and,

FIG. 7 is a bottom view.

[56] **References Cited**

U.S. PATENT DOCUMENTS

D. 271,209 11/1983 Feinblum D16/237
D. 382,287 8/1997 Palmer D16/237
4,786,926 11/1988 Hurvitz 396/429

1 Claim, 3 Drawing Sheets

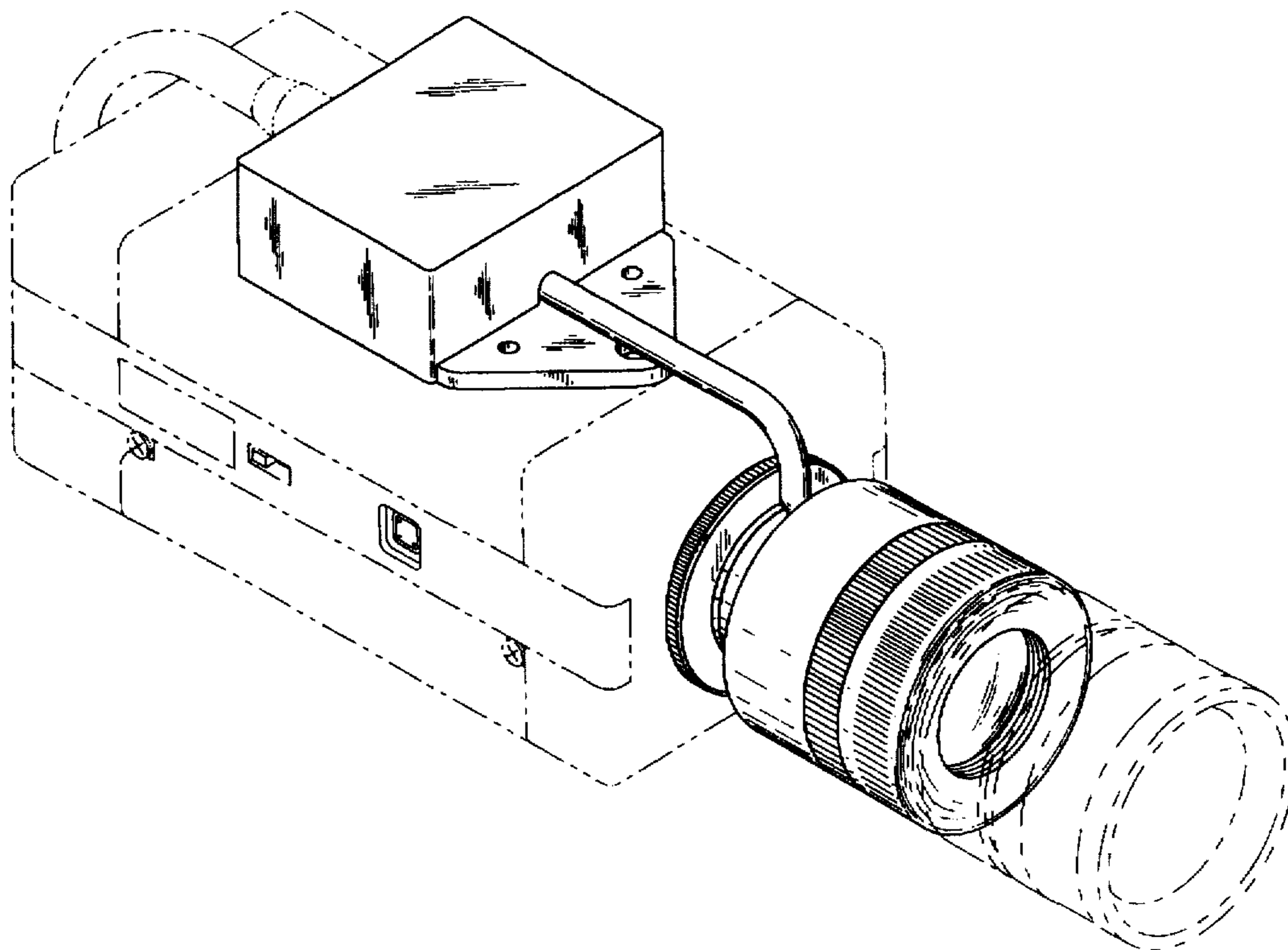


FIG. 1

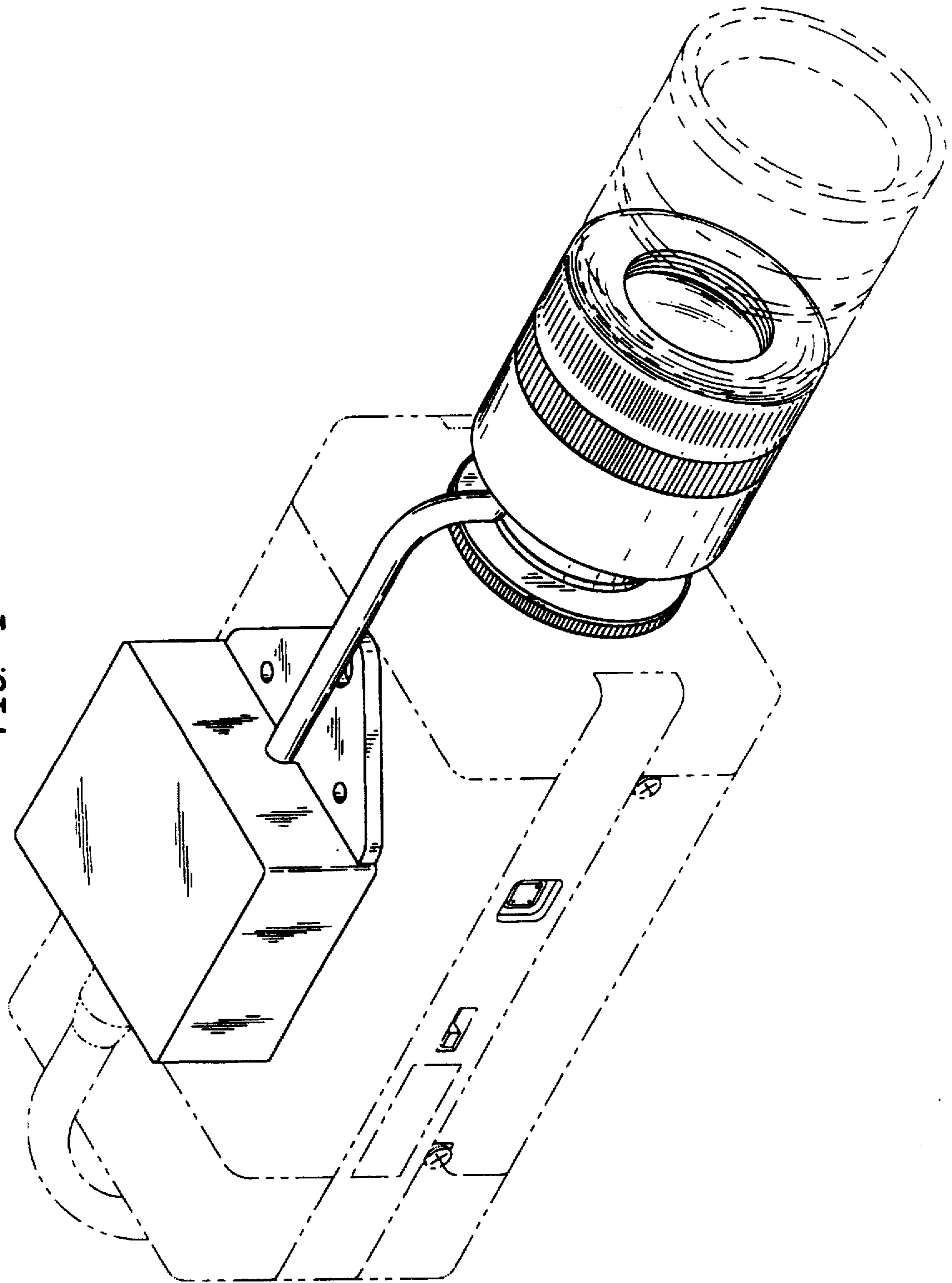


FIG. 2

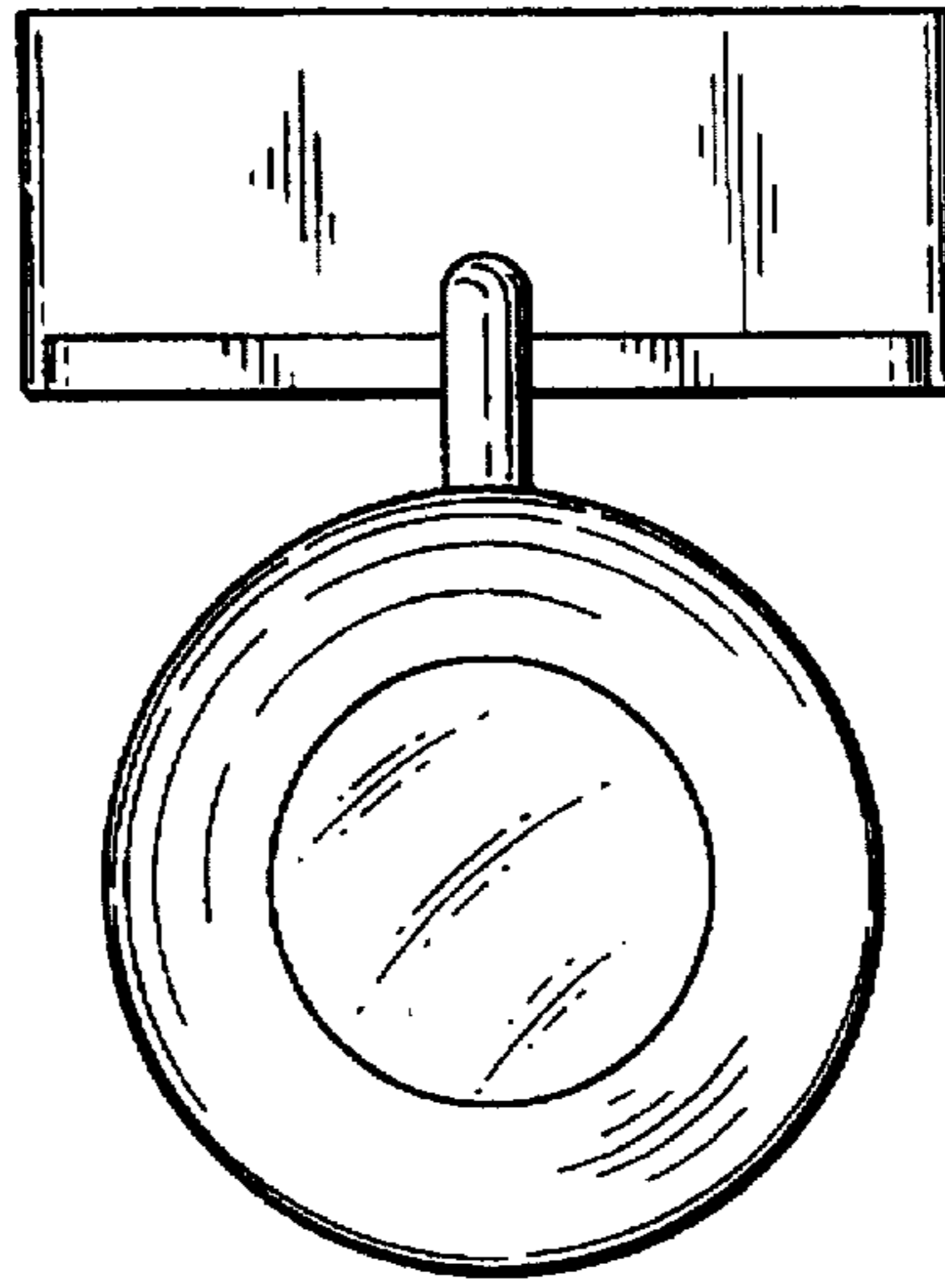


FIG. 3

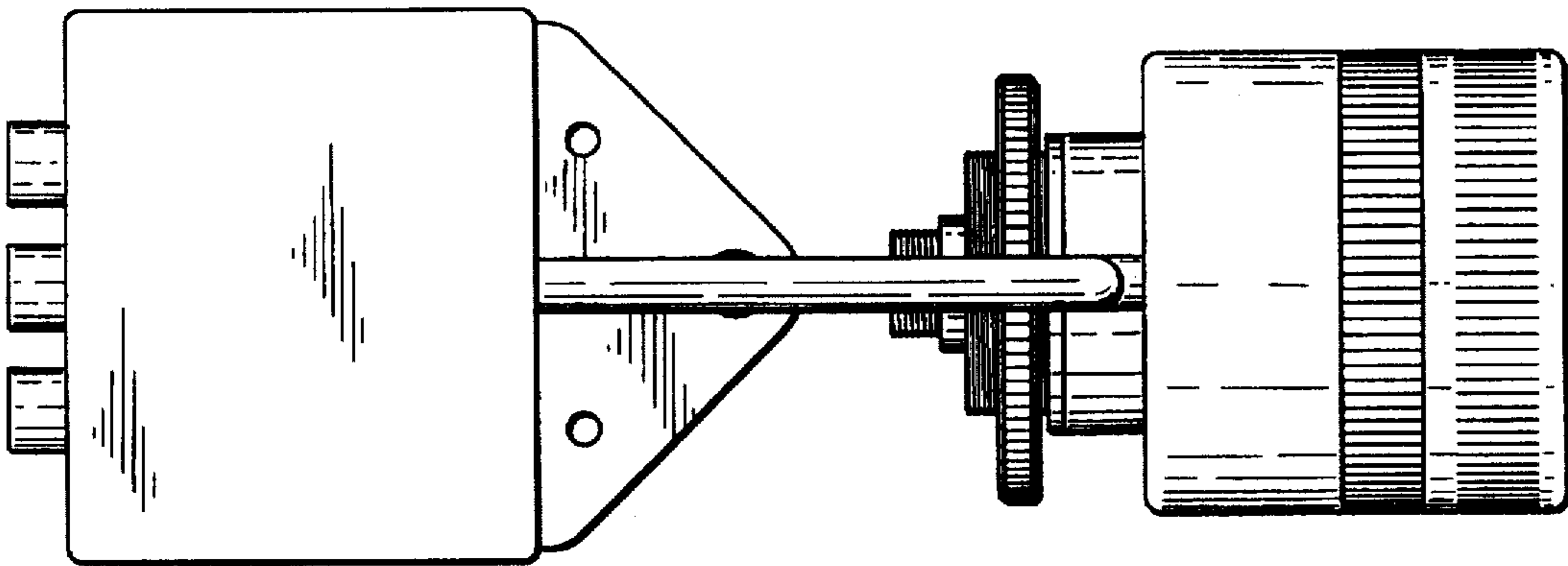


FIG. 4

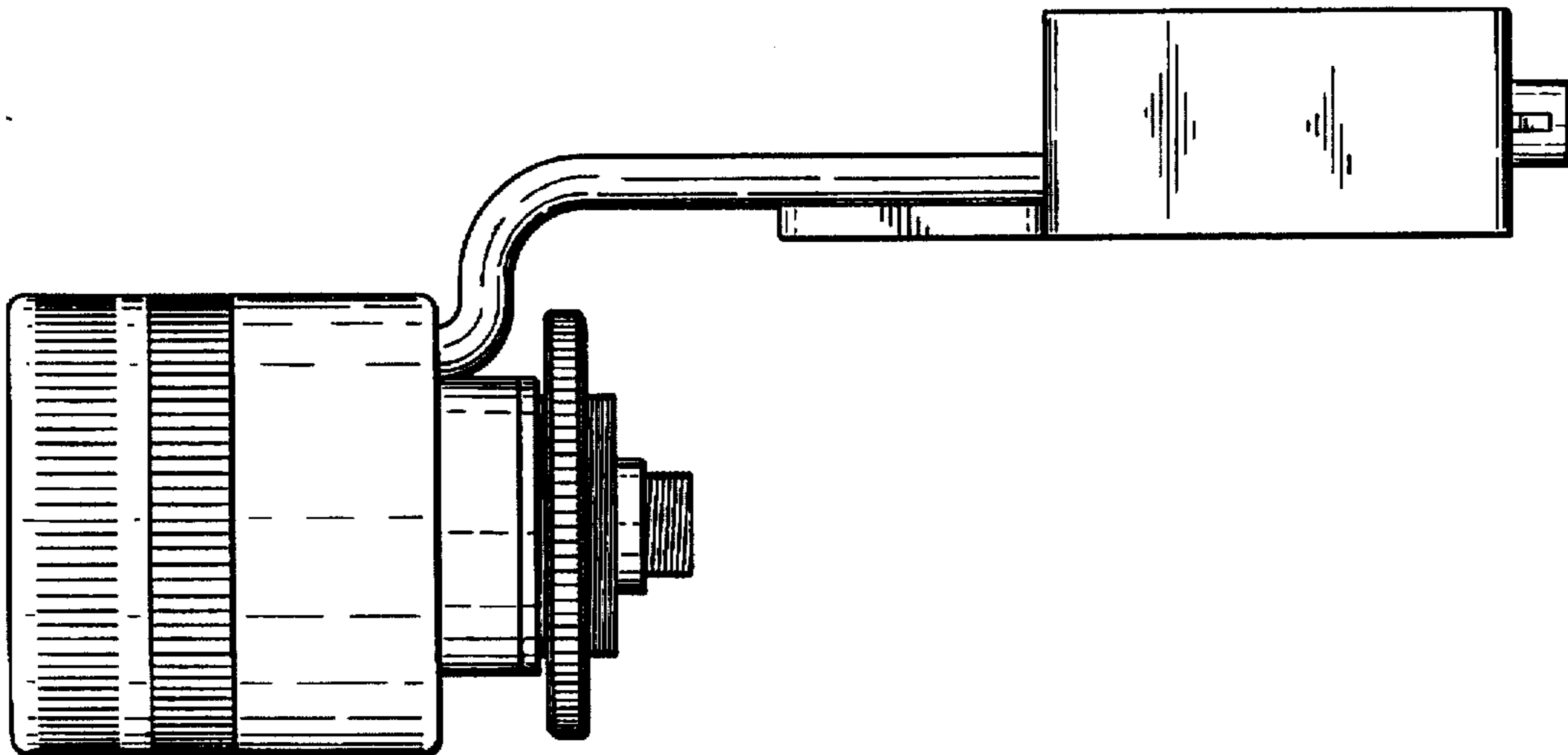


FIG. 5

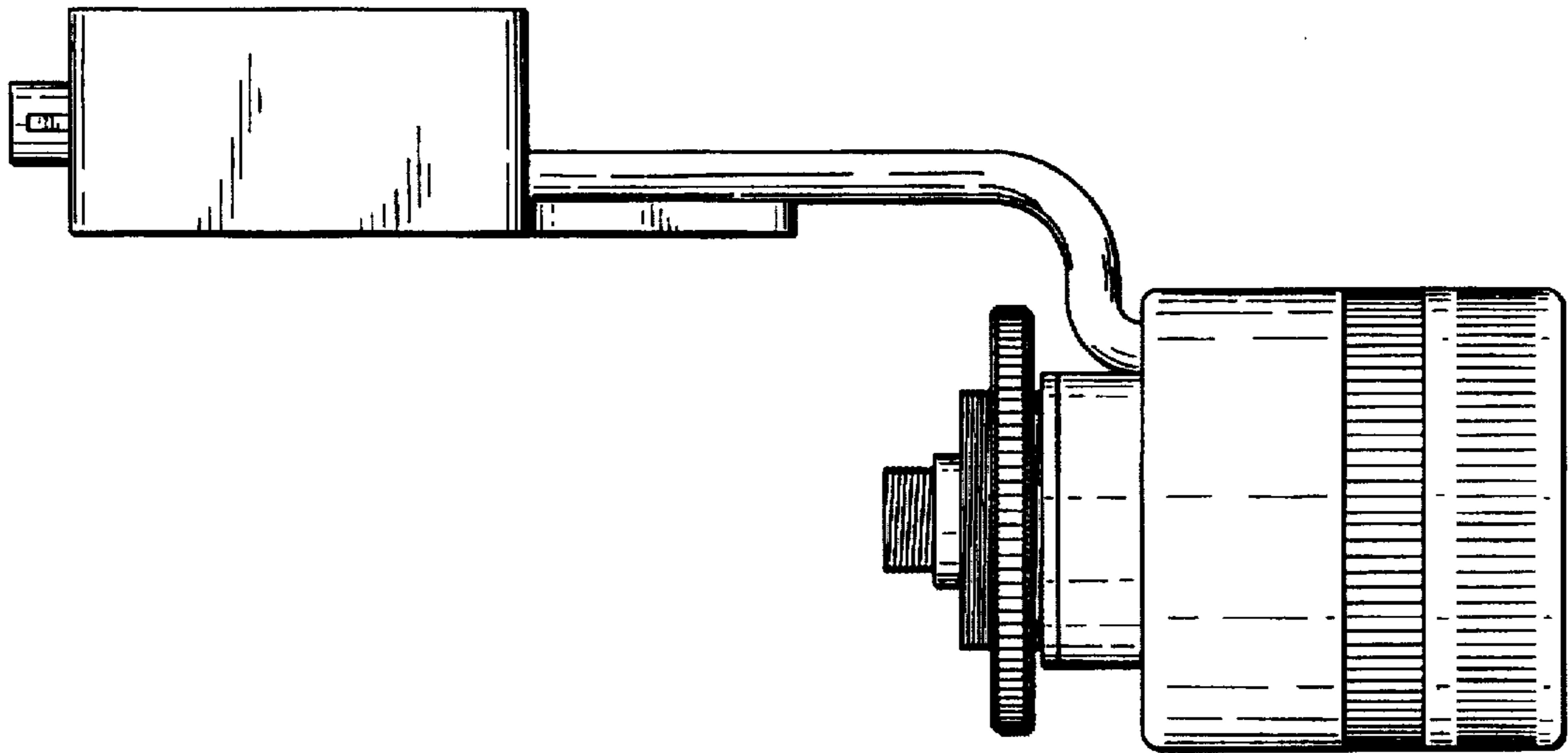


FIG. 6

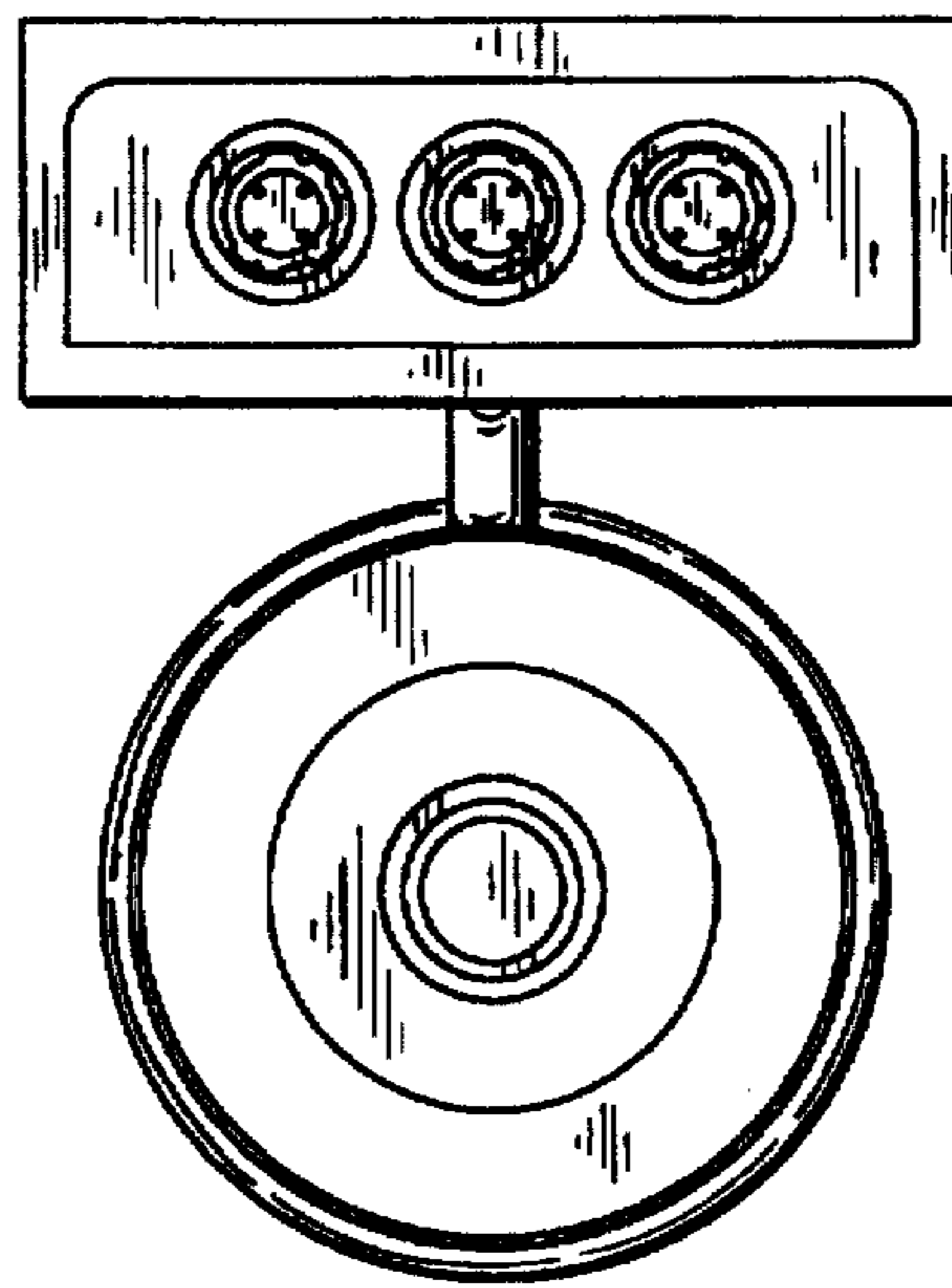


FIG. 7

