



US00D394867S

United States Patent [19]

Lee

[11] Patent Number: Des. 394,867

[45] Date of Patent: **Jun. 2, 1998

[54] VIDEO CAMERA

[75] Inventor: **Kyung-Mi Lee**, Seoul, Rep. of Korea

[73] Assignee: **LG Electronics Inc.**, Seoul, Rep. of Korea

[**] Term: **14 Years**

[21] Appl. No.: **73,019**

[22] Filed: **Jun. 27, 1997**

[30] Foreign Application Priority Data

Dec. 28, 1996 [KR] Rep. of Korea 96-28475

[51] LOC (6) Cl. **16-01**

[52] U.S. Cl. **D16/202**

[58] Field of Search D16/200-208;
348/373-376; 396/535-543; 358/906, 909.1;
H04N 5/225

[56] References Cited

U.S. PATENT DOCUMENTS

D. 316,555 4/1991 Ooi et al. D16/202
D. 356,806 3/1995 Kim D16/202

D. 381,995 8/1997 Sumita D16/202
D. 381,996 8/1997 Kobayashi D16/202
5,499,052 3/1996 Nakanishi et al. 348/373

OTHER PUBLICATIONS

Video Magazine, p. 91 (Hitachi VMH39a), Jan. 1993.

Primary Examiner—Philip S. Hyder
Assistant Examiner—Adir Aronovich
Attorney, Agent, or Firm—Birch, Stewart, Kolasch & Birch, LLP

[57] CLAIM

The ornamental design for a video camera, as shown and described.

DESCRIPTION

FIG. 1 is a perspective view of the video camera;
FIG. 2 is a front plan view thereof;
FIG. 3 is a rear view thereof;
FIG. 4 is a left side view thereof;
FIG. 5 is a right side view thereof;
FIG. 6 is a top plan view thereof; and,
FIG. 7 is a bottom plan view thereof.

1 Claim, 5 Drawing Sheets

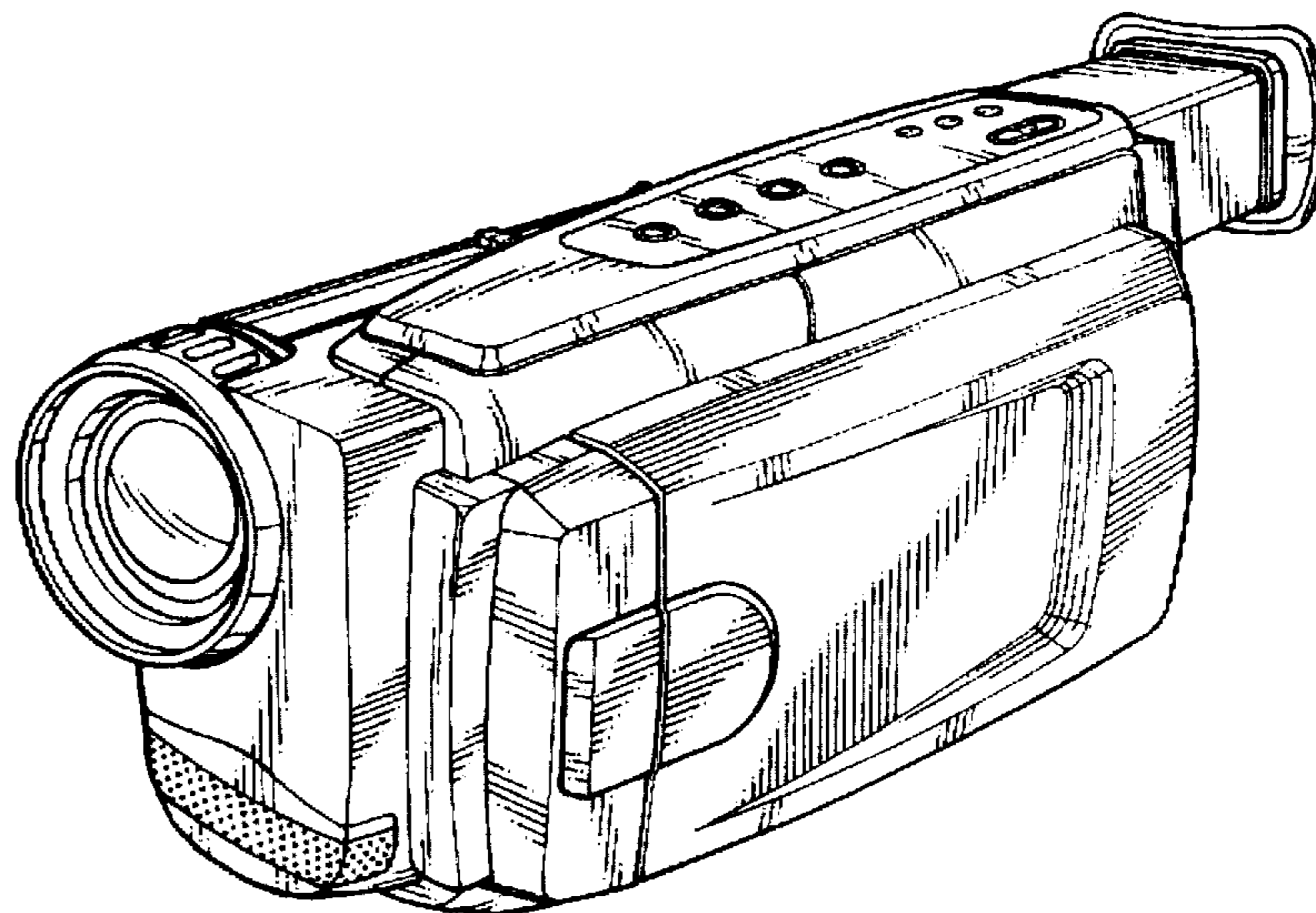


FIG. 1

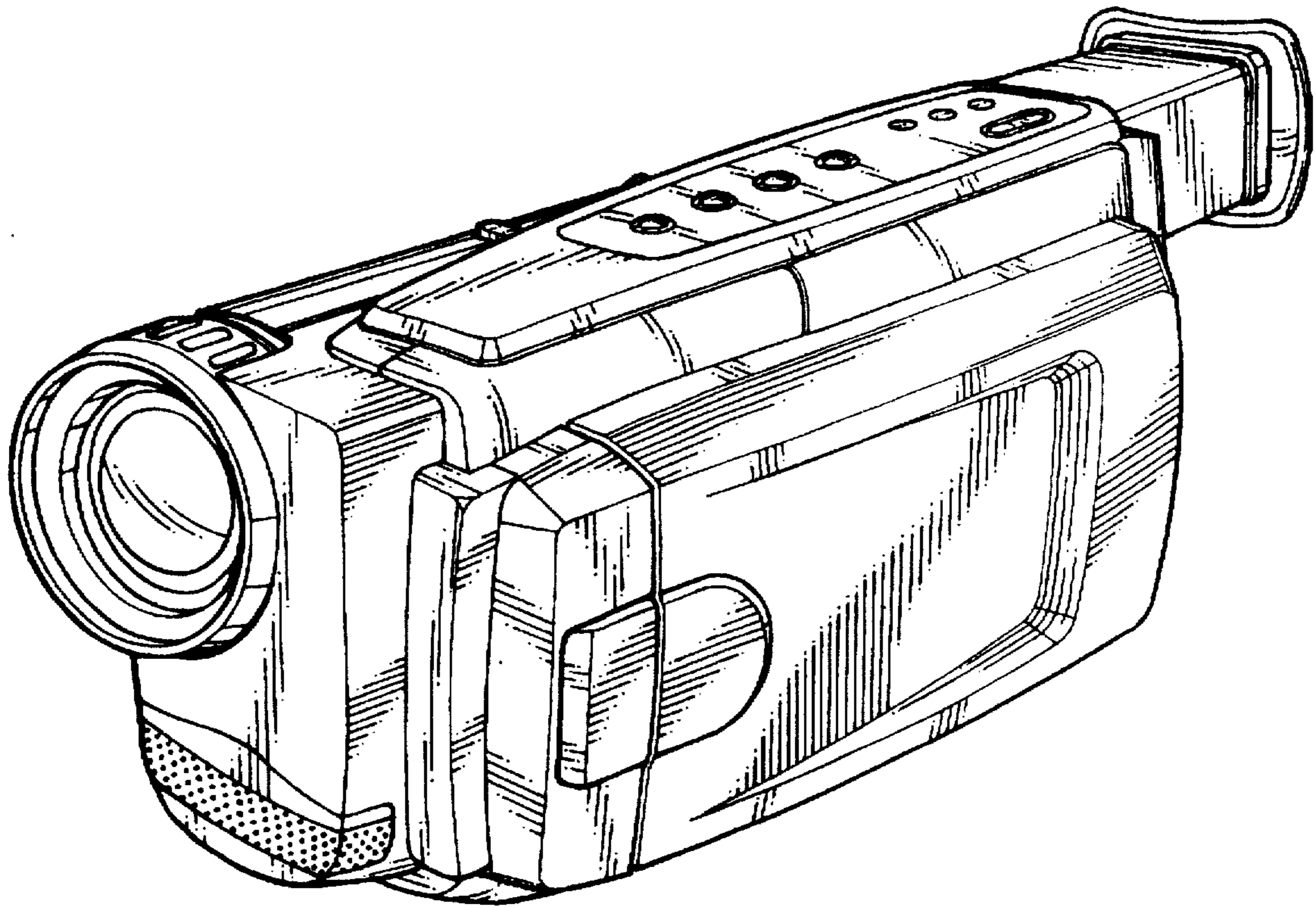


FIG. 2

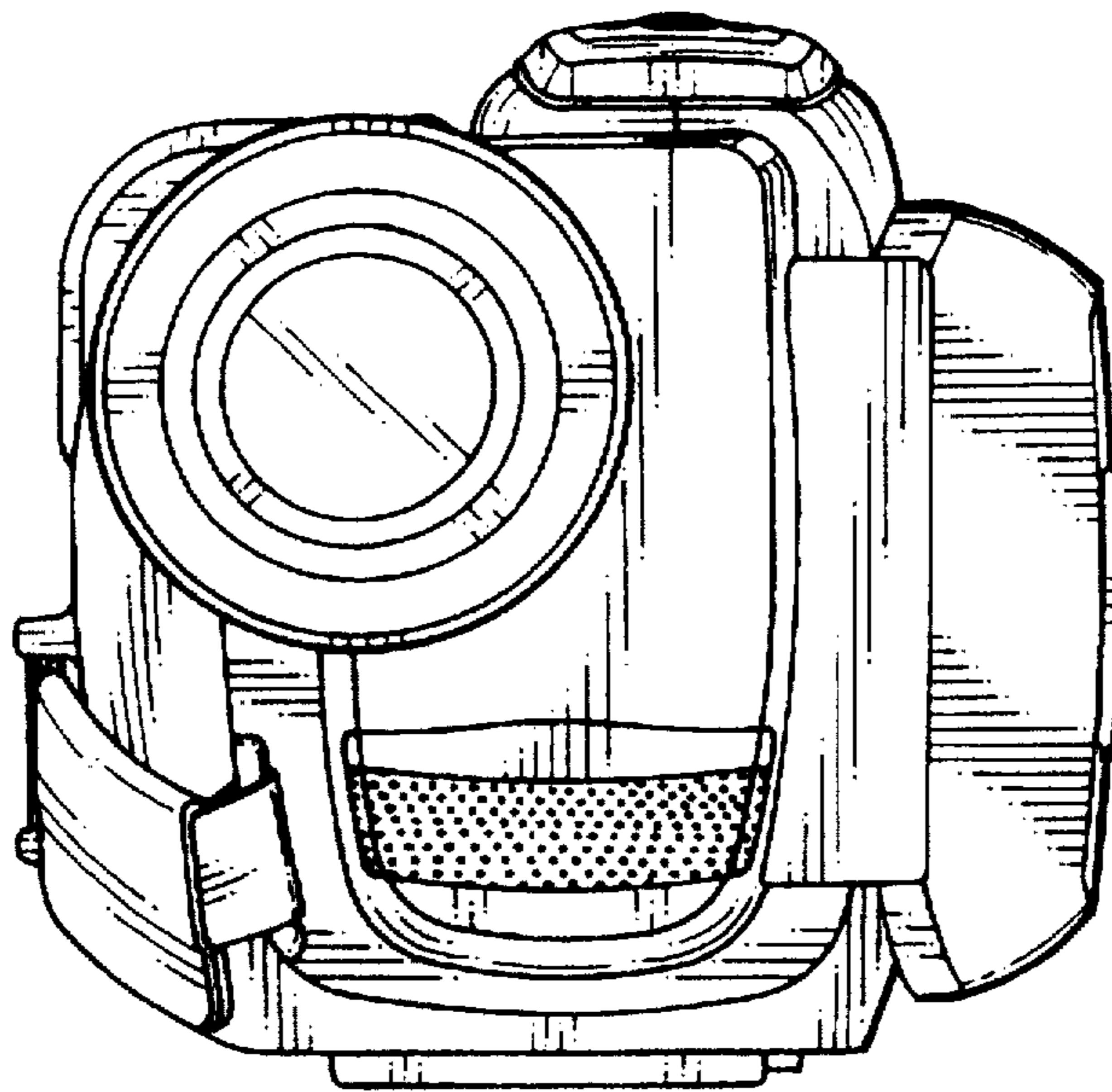


FIG. 3

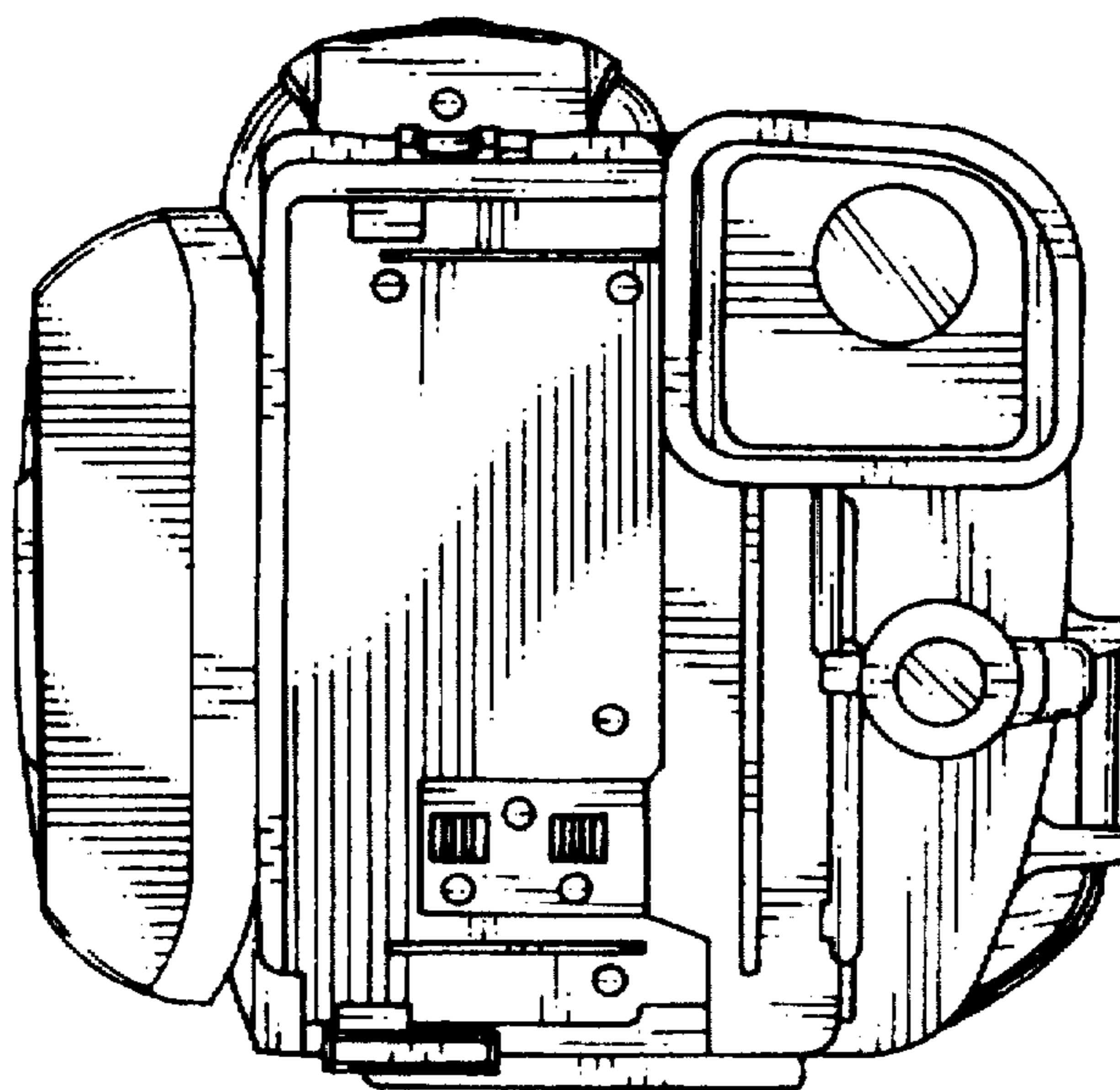


FIG. 4

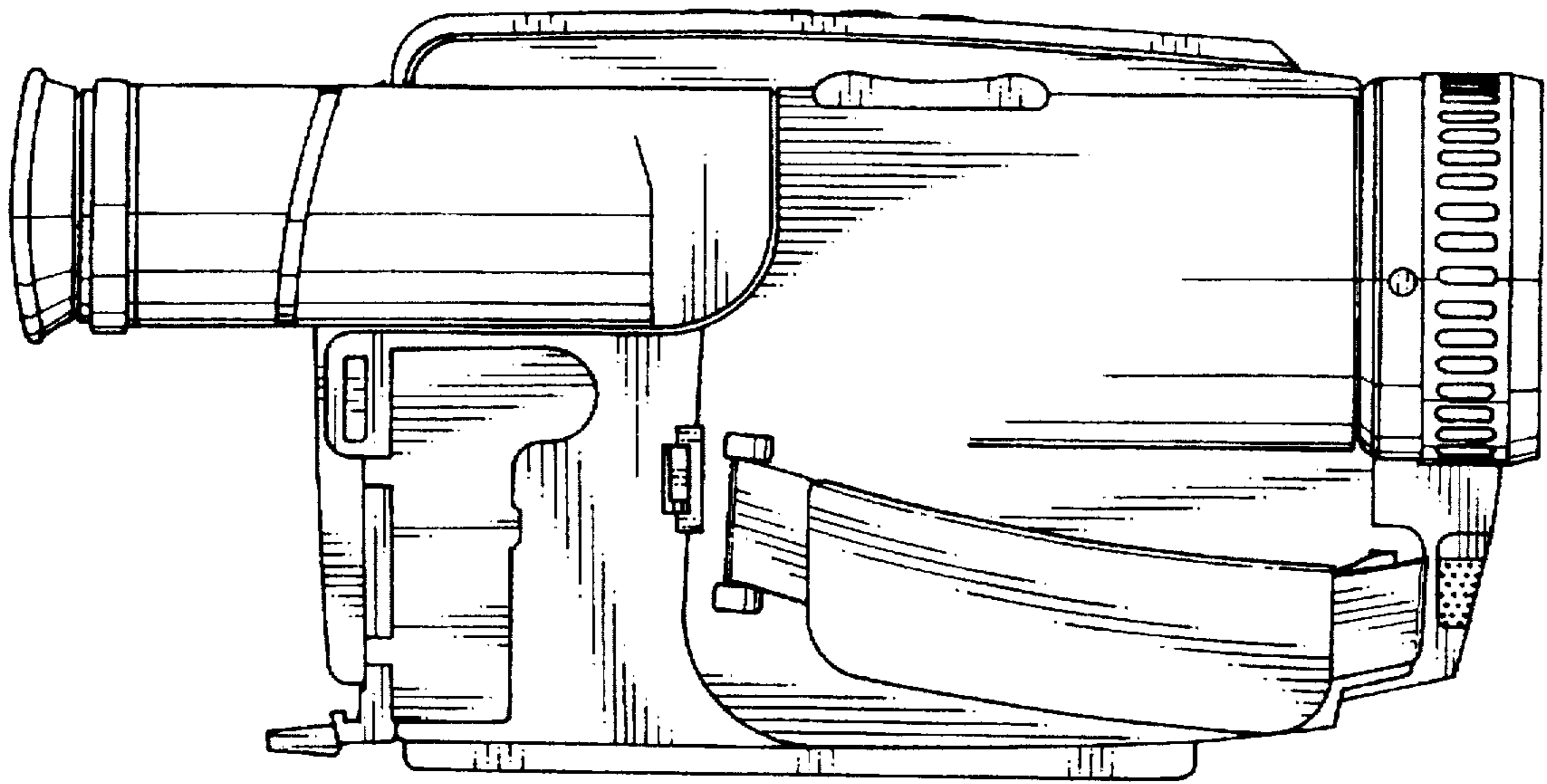


FIG. 5

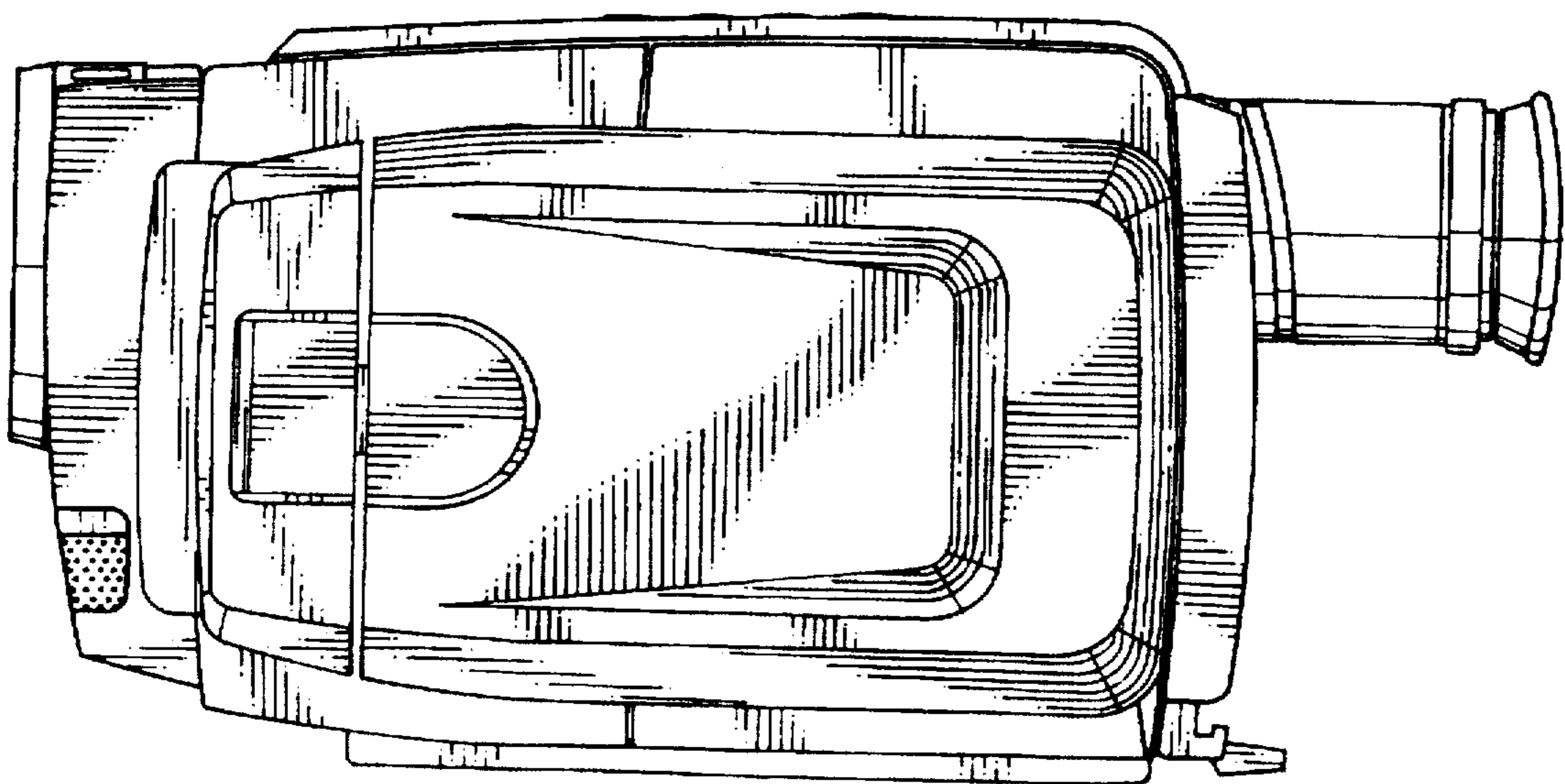


FIG. 6

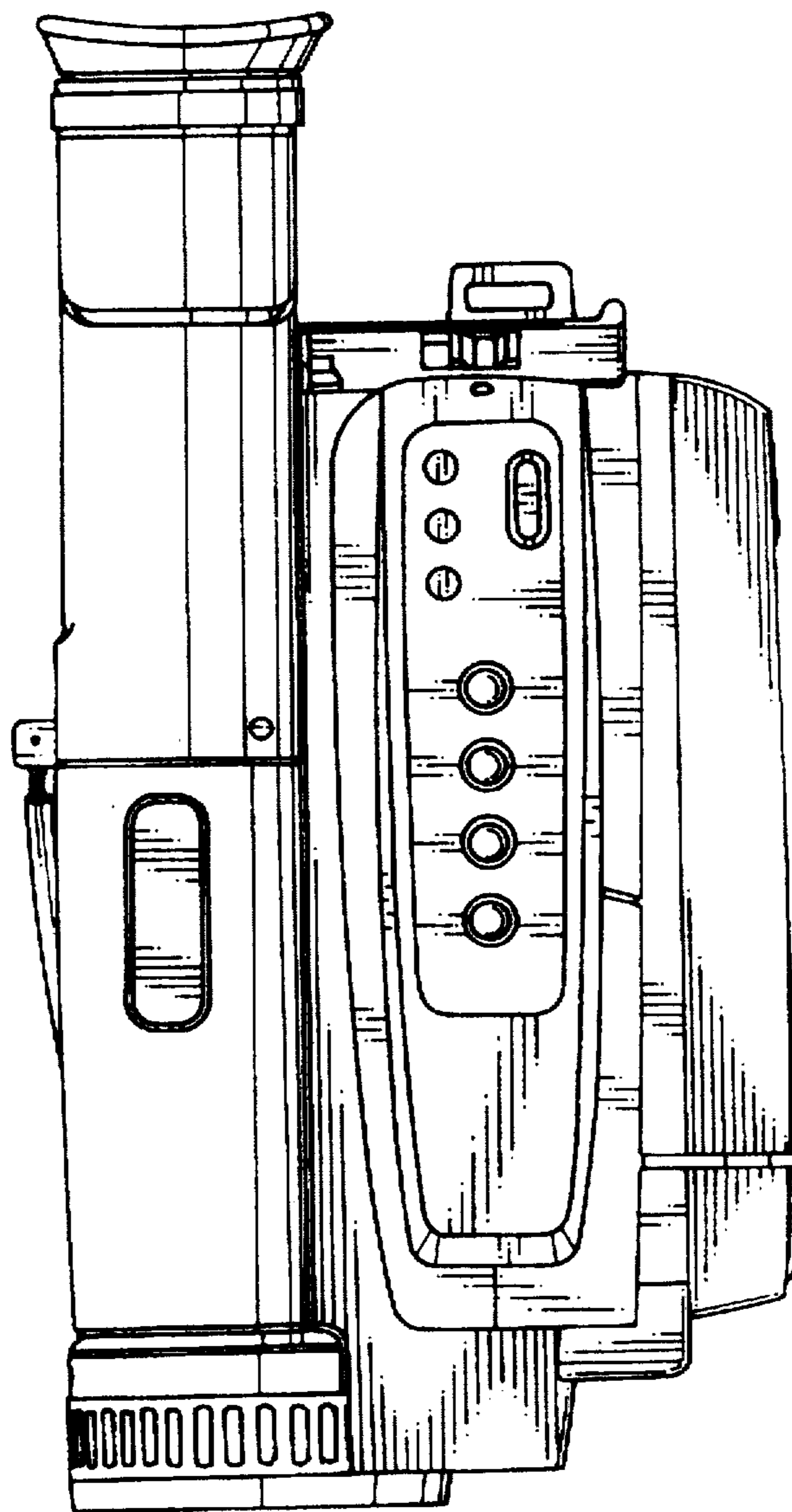


FIG. 7

