



US00D394863S

# United States Patent [19]

Saer

[11] Patent Number: Des. 394,863

[45] Date of Patent: \*\*Jun. 2, 1998

[54] ENCLOSURE FOR SELF-POWERED SPEAKER

[75] Inventor: George A. Saer, La Crescenta, Calif.

[73] Assignee: Fender Musical Instruments Corporation, Scottsdale, Ariz.

[\*\*] Term: 14 Years

[21] Appl. No.: 71,339

[22] Filed: May 28, 1997

[51] LOC (6) Cl. .... 14-01

[52] U.S. Cl. .... D14/215; D14/216

[58] Field of Search ..... D14/204, 207-216, D14/219; 181/144, 145, 147, 148, 150, 153, 157, 198, 199; 381/24, 88, 90, 153, 159, 186, 188, 203, 205

### [56] References Cited

#### U.S. PATENT DOCUMENTS

|            |         |                |       |           |
|------------|---------|----------------|-------|-----------|
| D. 229,565 | 12/1973 | Legorju        | ..... | D14/212   |
| D. 270,444 | 9/1983  | Matsuda et al. | ..... | D14/214   |
| D. 297,836 | 9/1988  | Nelson et al.  | ..... | D14/209   |
| D. 375,746 | 11/1996 | Wu             | ..... | D14/215 X |
| 2,489,653  | 11/1949 | Leslie         | ..... | D14/213 X |
| 2,896,737  | 7/1959  | Gellman        | ..... | 181/31    |
| 5,319,164  | 6/1994  | Shen           | ..... | 181/153 X |

Primary Examiner—Ted Shooman  
Assistant Examiner—Nanda Bondade  
Attorney, Agent, or Firm—Paul F. Wille

### [57] CLAIM

The ornamental design for an enclosure for self-powered speaker, as shown and described.

### DESCRIPTION

FIG. 1 is a three-quarter, perspective view of the enclosure for self-powered speaker showing the new design;

FIG. 2 is a front view of the enclosure for self-powered speaker;

FIG. 3 is a top view of the enclosure for self-powered speaker;

FIG. 4 is a bottom view of the enclosure for self-powered speaker;

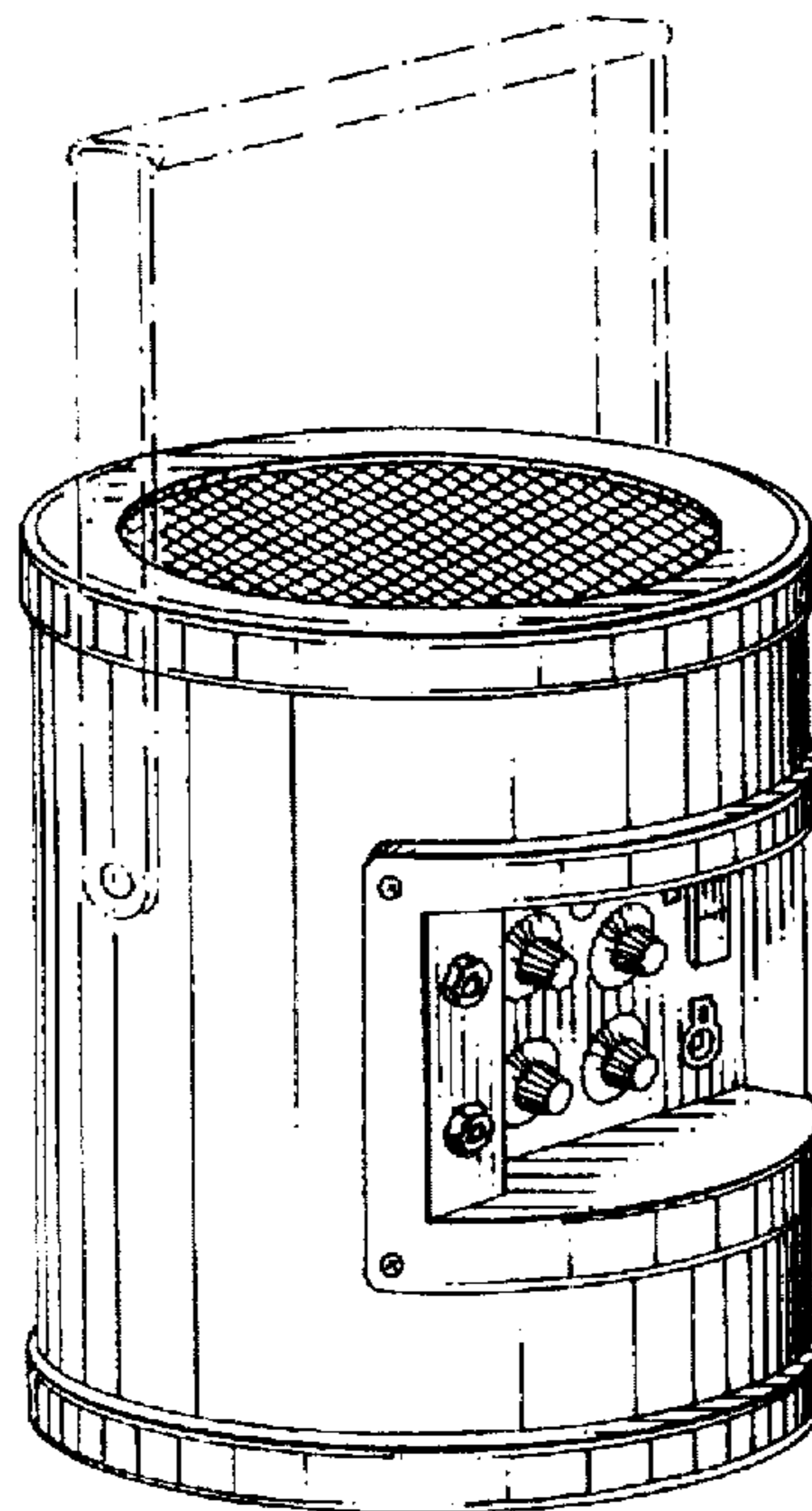
FIG. 5 is a rear view of the enclosure for self-powered speaker;

FIG. 6 is a left view of the enclosure for self-powered speaker; and,

FIG. 7 is a right view of the enclosure for self-powered speaker.

The broken line showing of the handle on FIGS. 1—7 is for illustrative purposes only on forms no part of the claimed design.

1 Claim, 2 Drawing Sheets



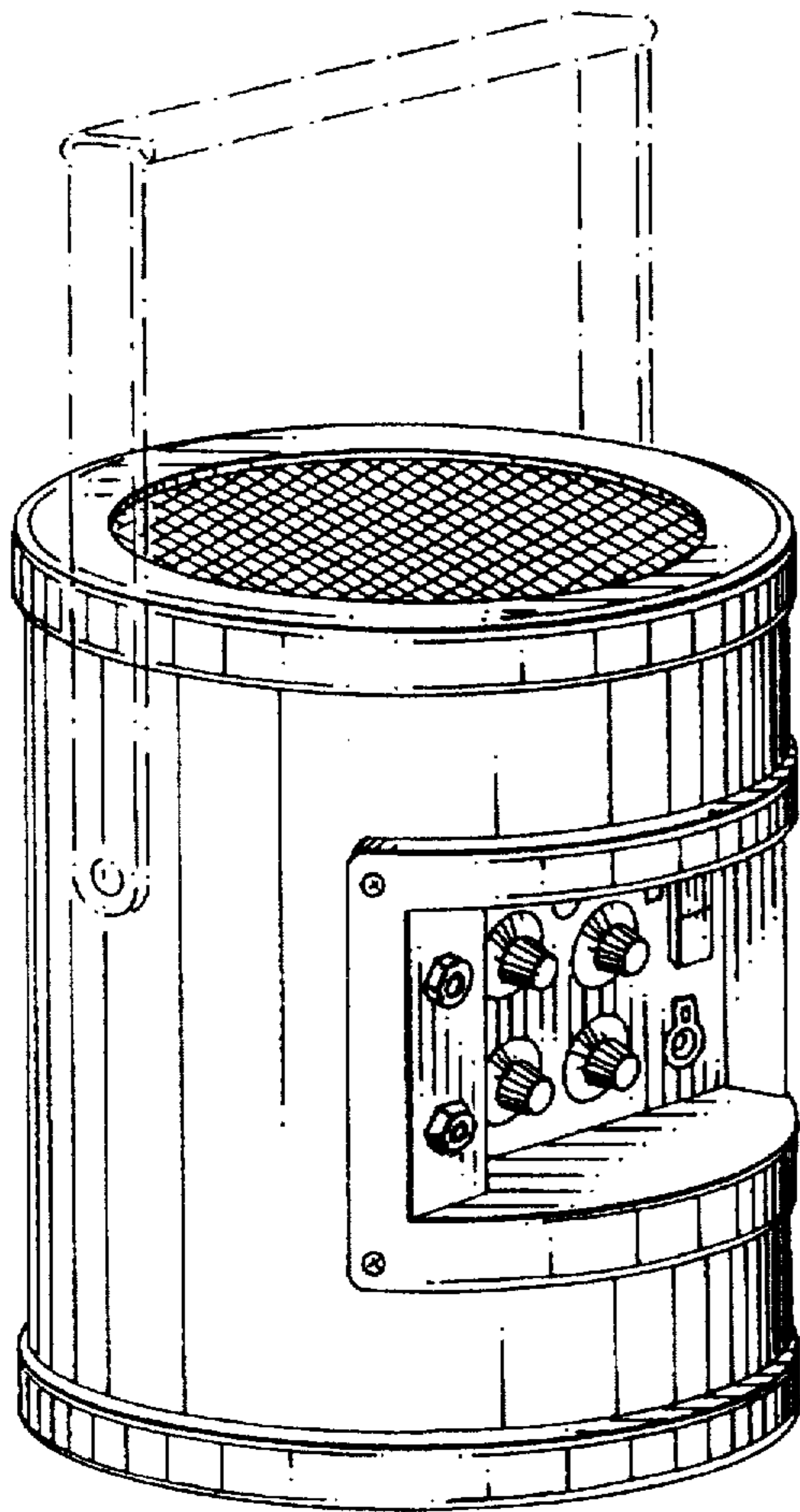


FIG. 1

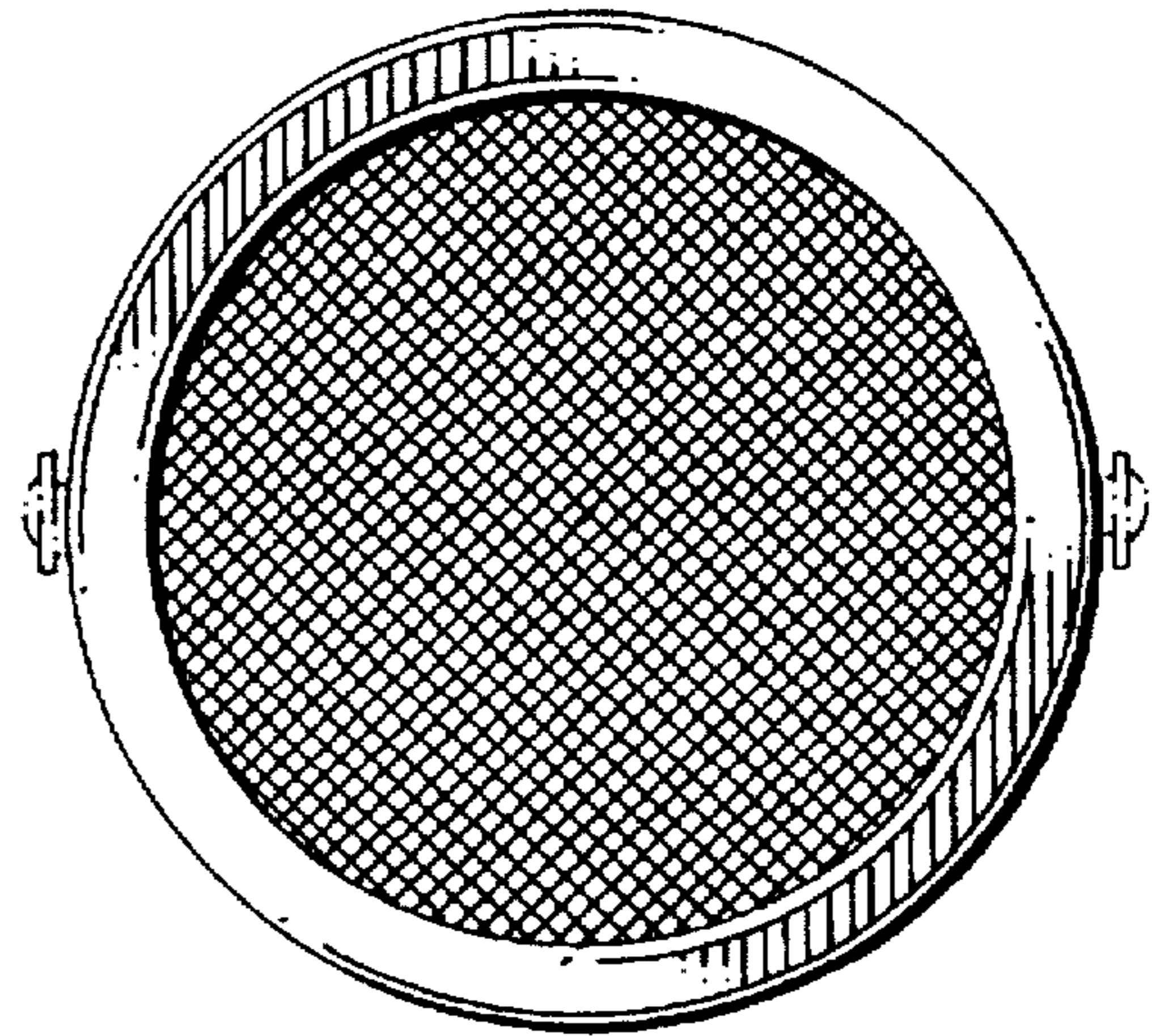


FIG. 3

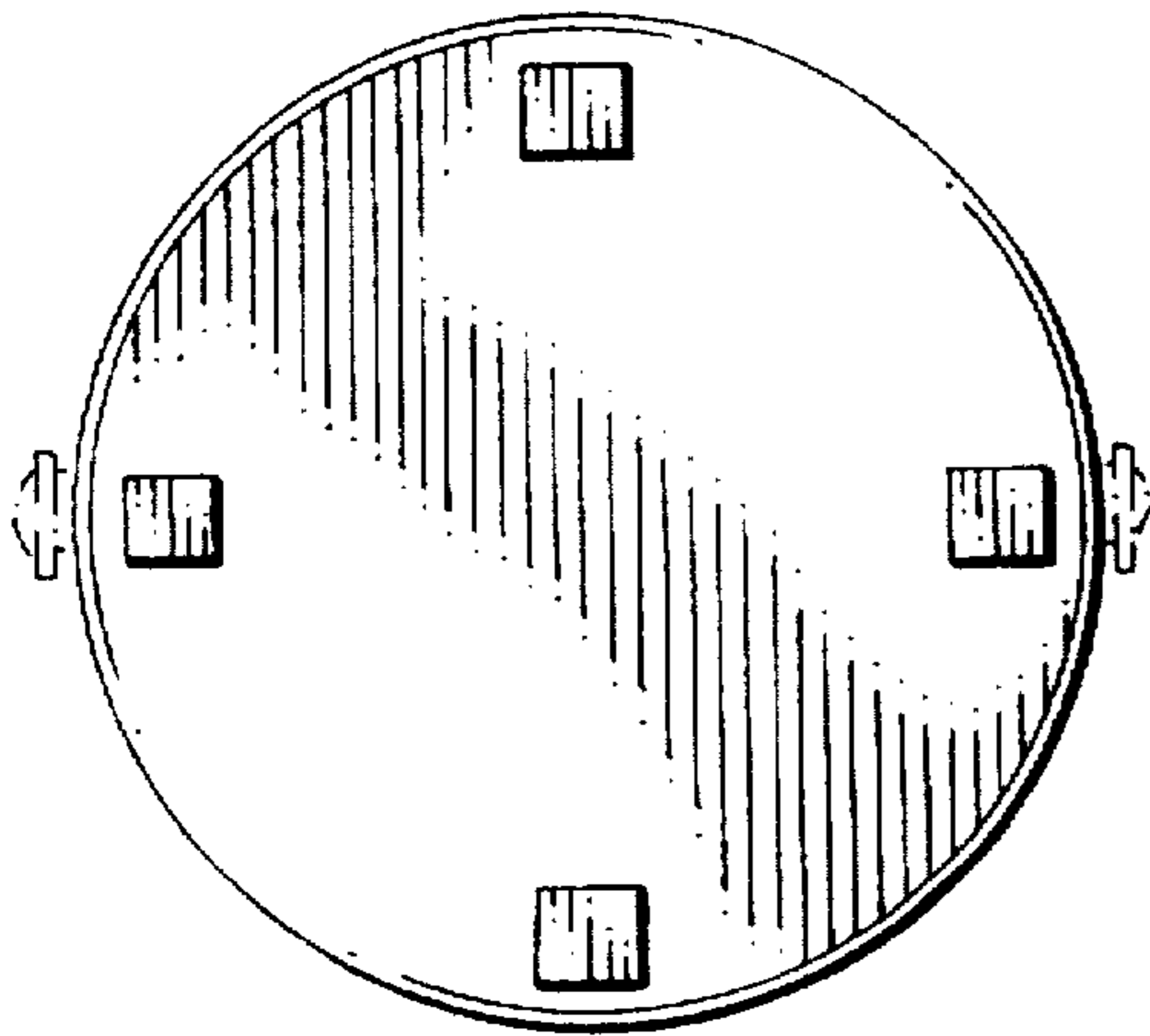


FIG. 4

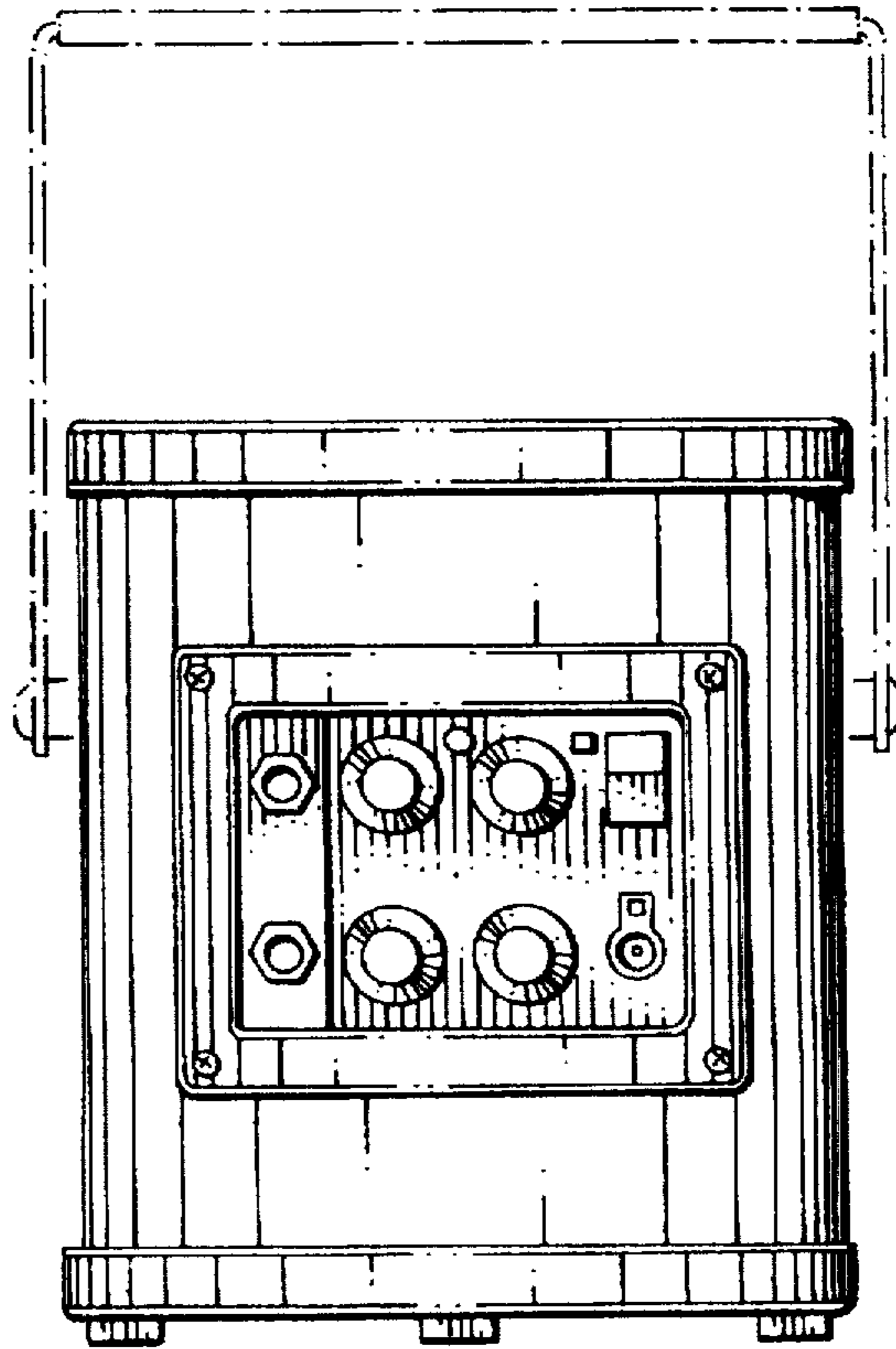


FIG. 2

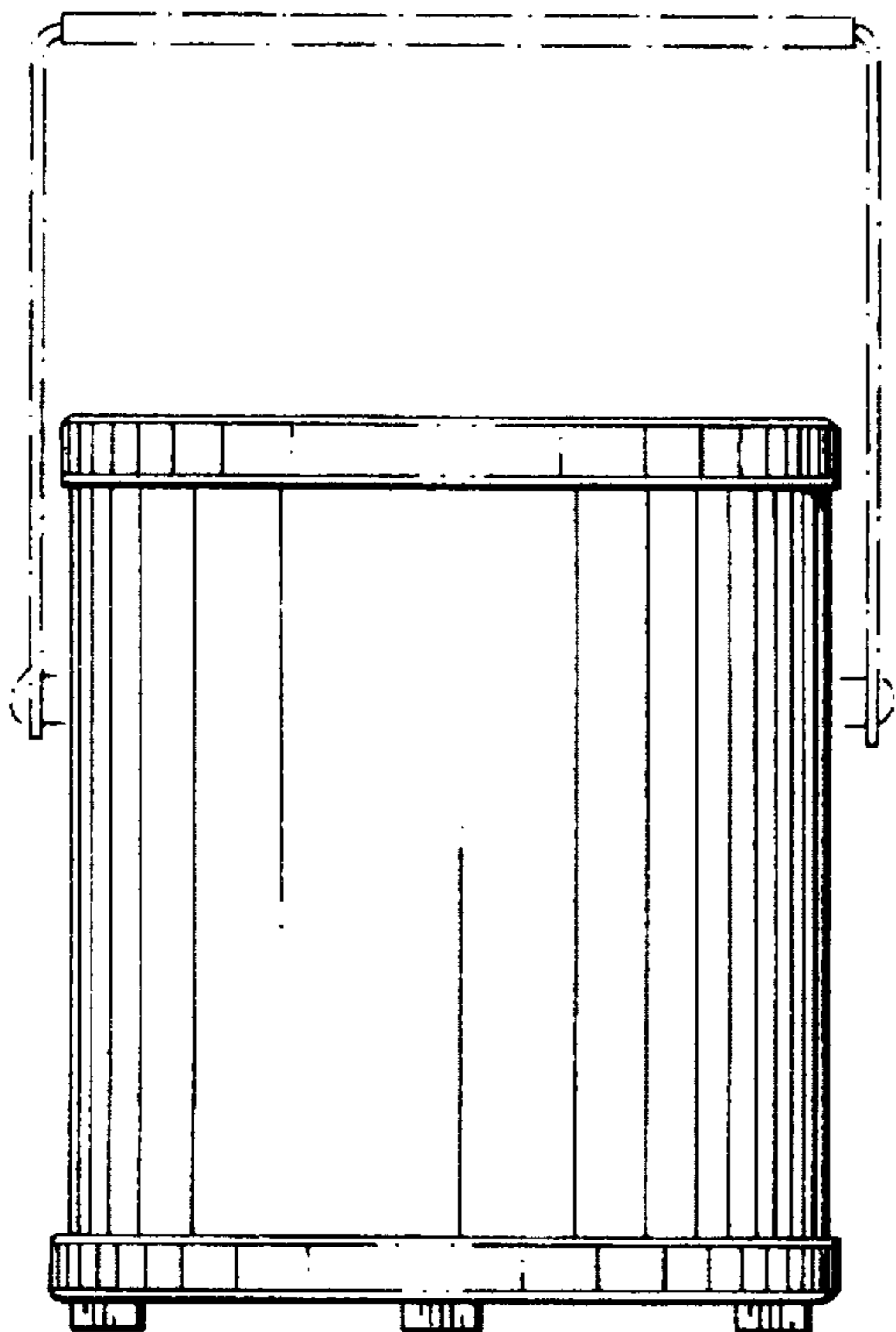


FIG. 5

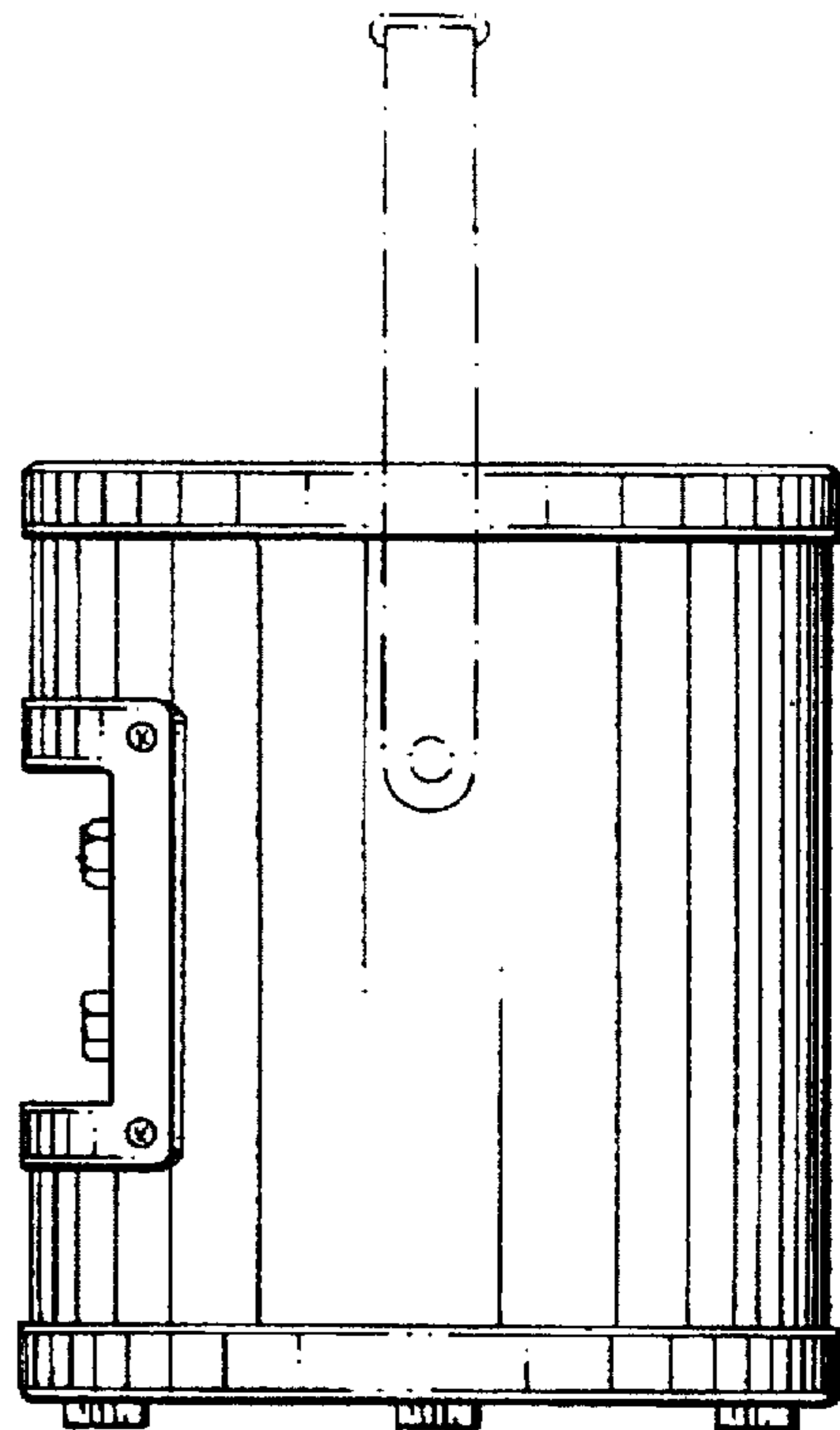


FIG. 6

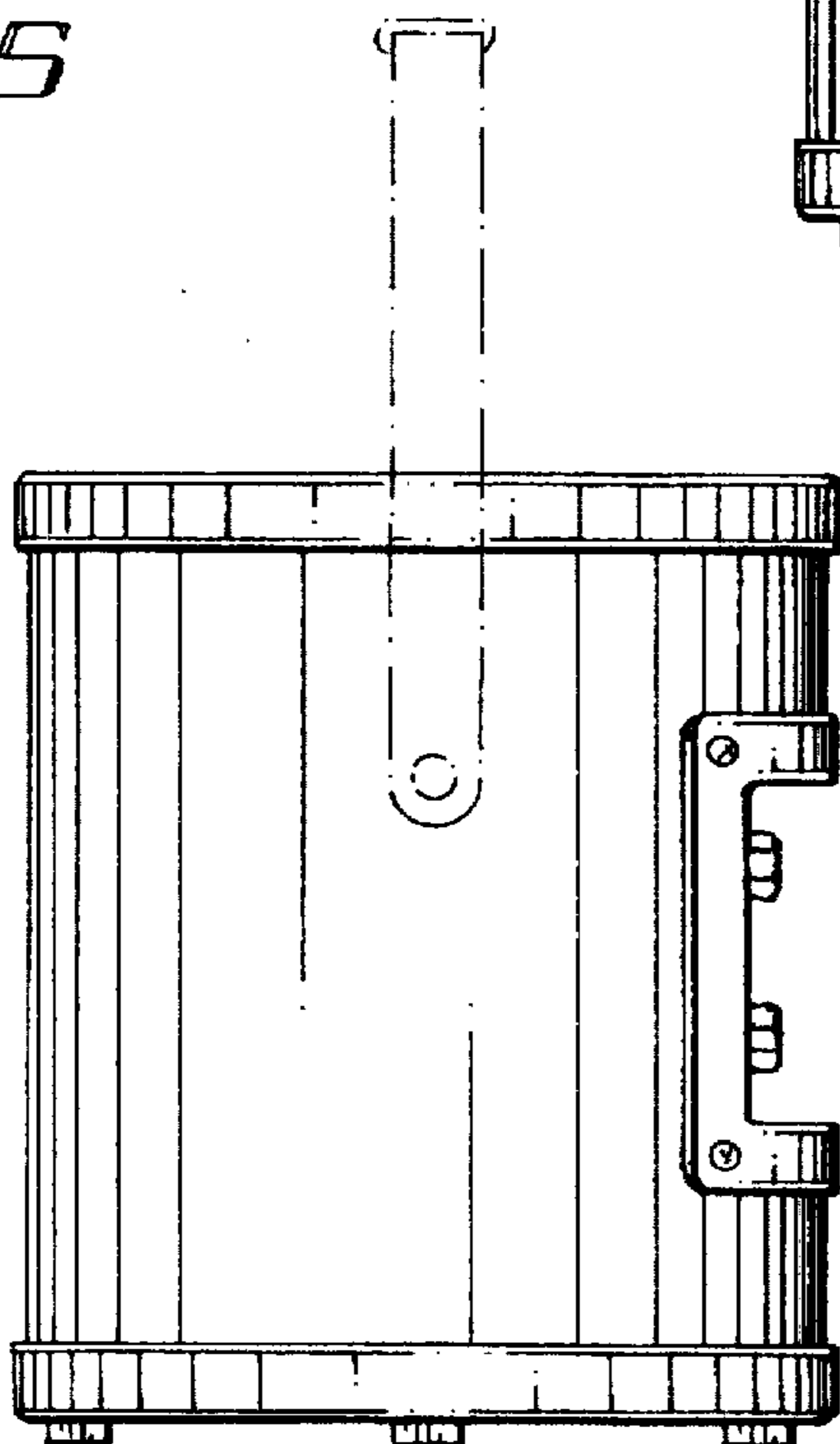


FIG. 7