

US00D394858S

United States Patent [19]

[11] Patent Number: **Des. 394,858**

Wordinger et al.

[45] Date of Patent: ****Jun. 2, 1998**

[54] **FRONT PANEL FOR AN AUDIO AMPLIFIER**

[75] Inventors: **James R. Wordinger, Goshin; Ronald A. Schemenauer, Elkhart, both of Ind.**

[73] Assignee: **Crown International, Inc., Elkhart, Ind.**

[**] Term: **14 Years**

[21] Appl. No.: **71,742**

[22] Filed: **Jun. 2, 1997**

[51] LOC (6) Cl. **14-03**

[52] U.S. Cl. **D14/188**

[58] Field of Search D14/124, 137, D14/155, 168, 172, 188, 189, 193-198, 257, 265, 299; 312/7.1; 455/344, 347, 350, 351

[56] **References Cited**

U.S. PATENT DOCUMENTS

- D. 332,100 12/1992 Blanttner et al. D14/257
- D. 332,790 1/1993 Gauthier et al. D14/265 X
- D. 343,394 1/1994 Kakizaki D14/188
- D. 355,654 2/1995 Koulopoulos D14/265 X

Primary Examiner—Sandra L. Morris
Assistant Examiner—Nanda Bondade
Attorney, Agent, or Firm—Baker & Daniels

[57] **CLAIM**

The ornamental design for a front panel for an audio amplifier, as shown and described.

DESCRIPTION

FIG. 1 is a front perspective view of a front panel for an audio amplifier showing our new design;

FIG. 2 is a top plan view thereof, the bottom plan view being a mirror image;

FIG. 3 is a front elevational view thereof; and

FIG. 4 is a right side elevational view thereof, the left side elevational view being a mirror image thereof;

FIG. 5 is a perspective view of a front panel of an audio electronic component showing a second embodiment of our new design;

FIG. 6 is a top plan view thereof, the bottom plan view being a mirror image thereof;

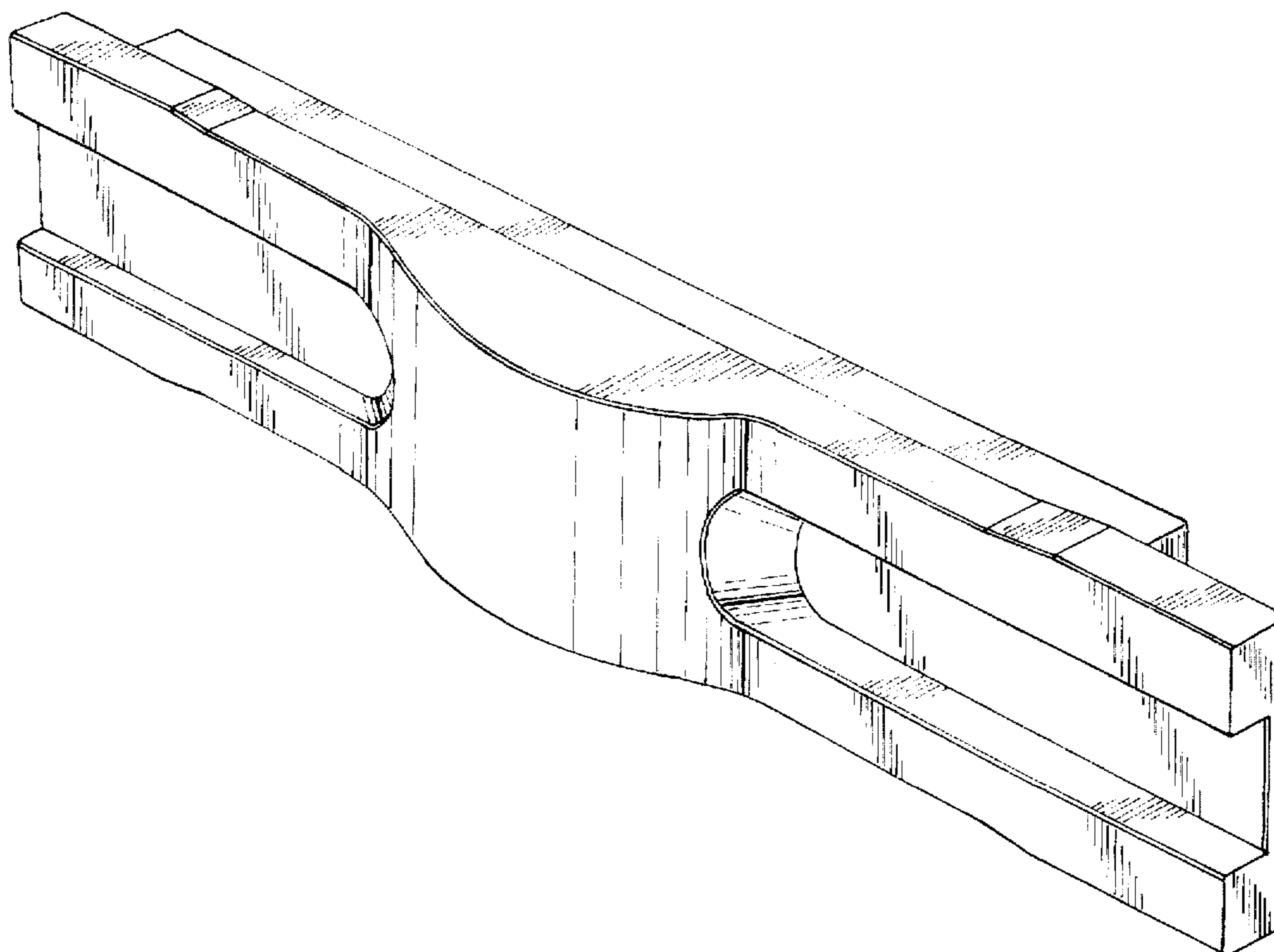
FIG. 7 is a front elevational view thereof;

FIG. 8 is a left side elevational view thereof; and,

FIG. 9 is a right side elevational view thereof.

The rear of the panel in both embodiments is unornamented.

1 Claim, 4 Drawing Sheets



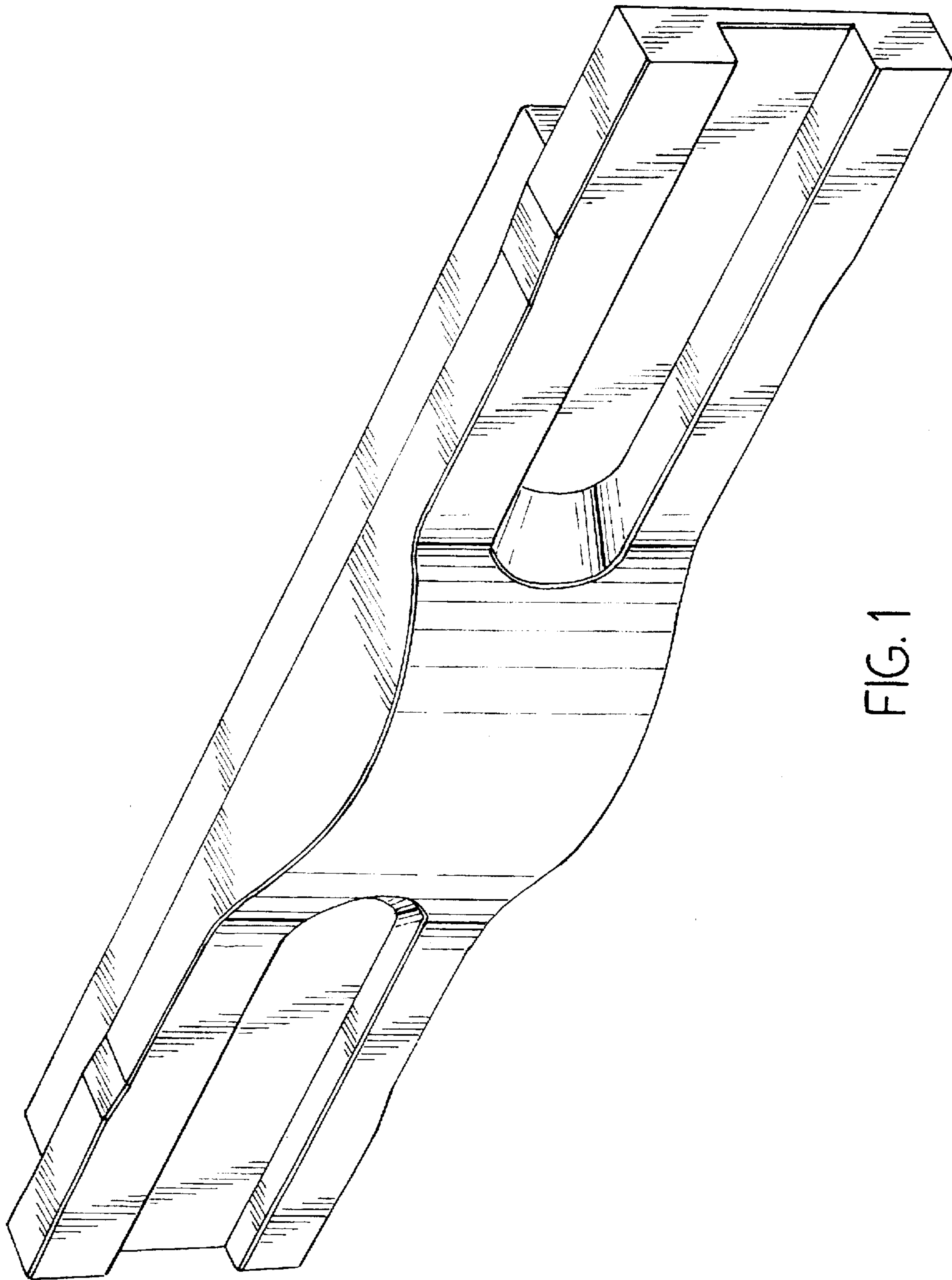


FIG. 1

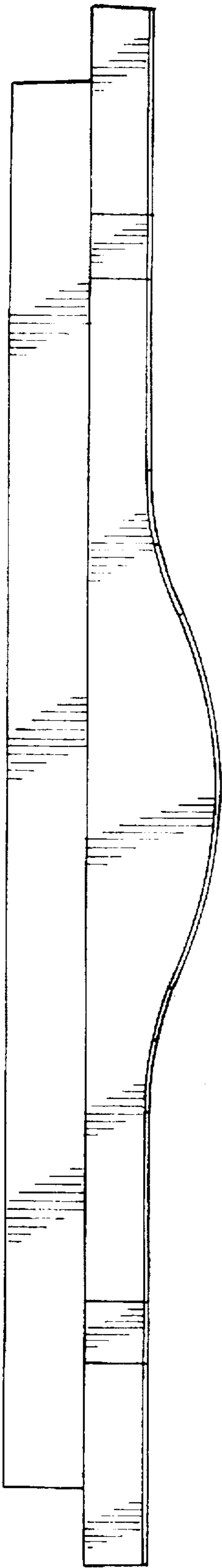


FIG. 2

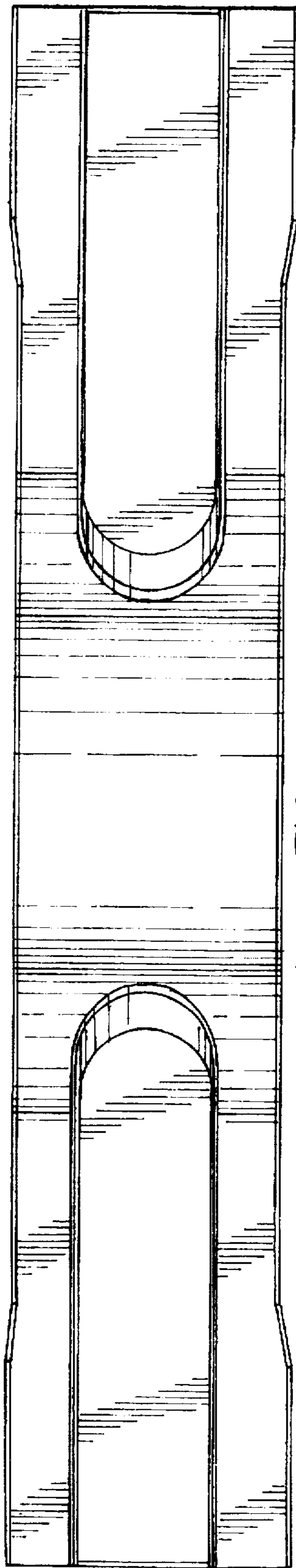


FIG. 3

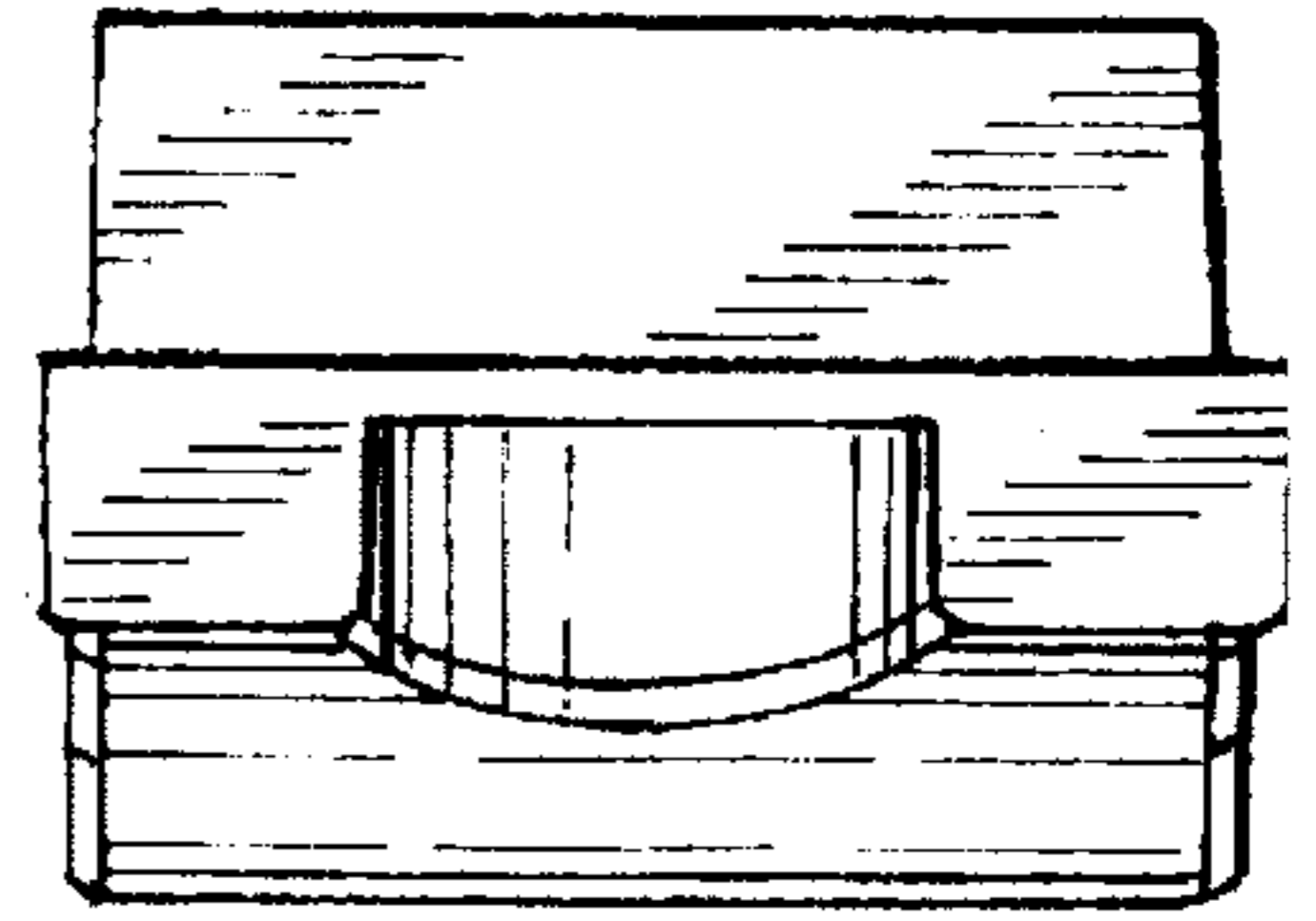


FIG. 4

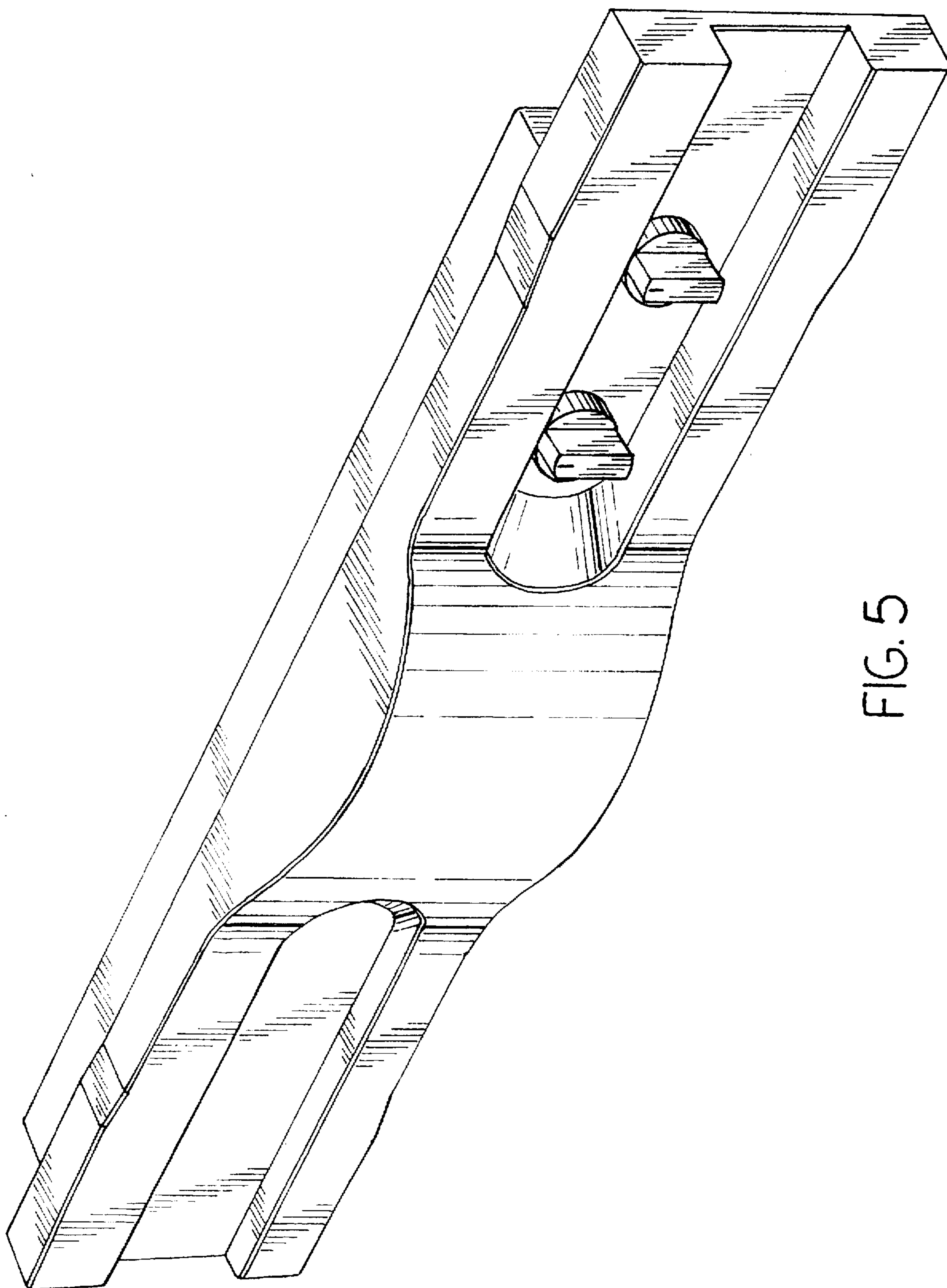


FIG. 5

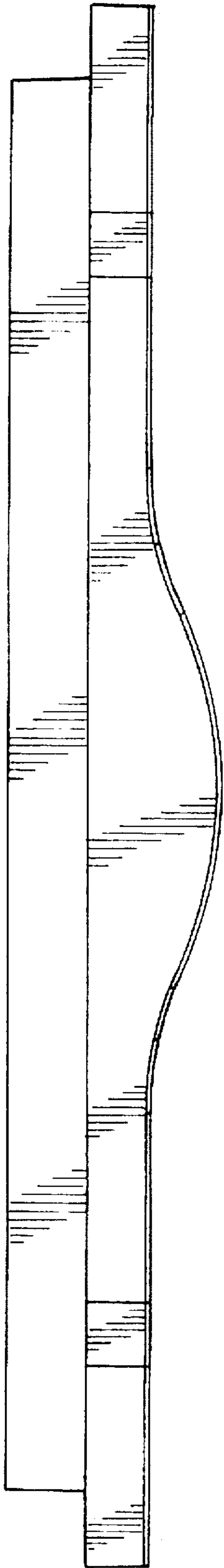


FIG. 6

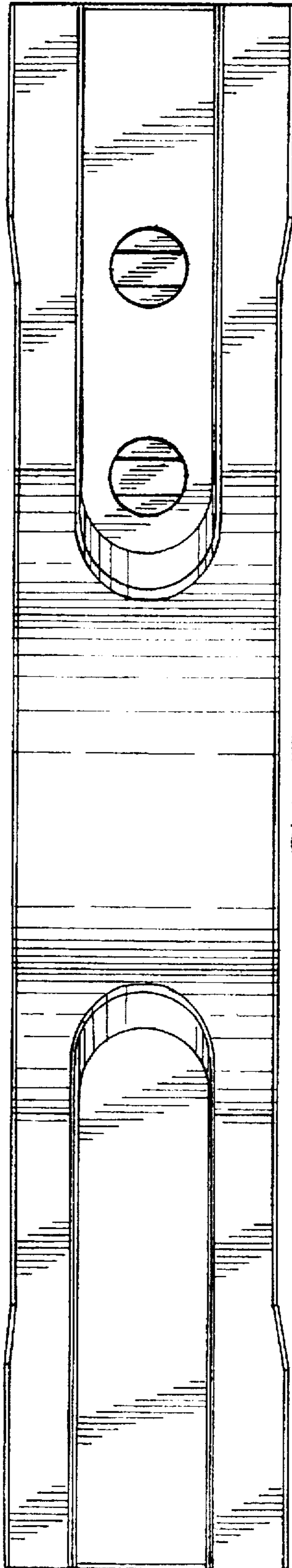


FIG. 7

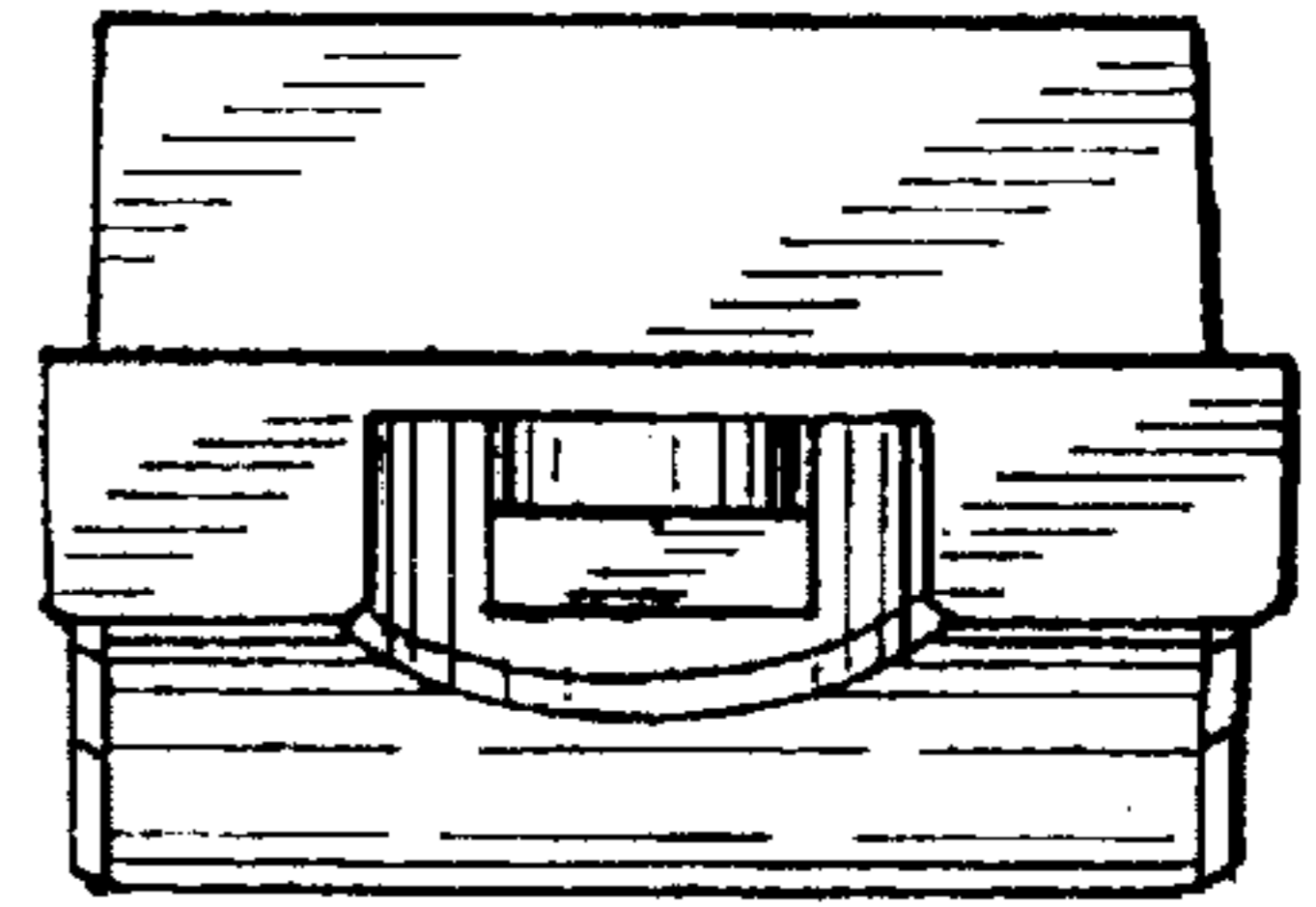


FIG. 8

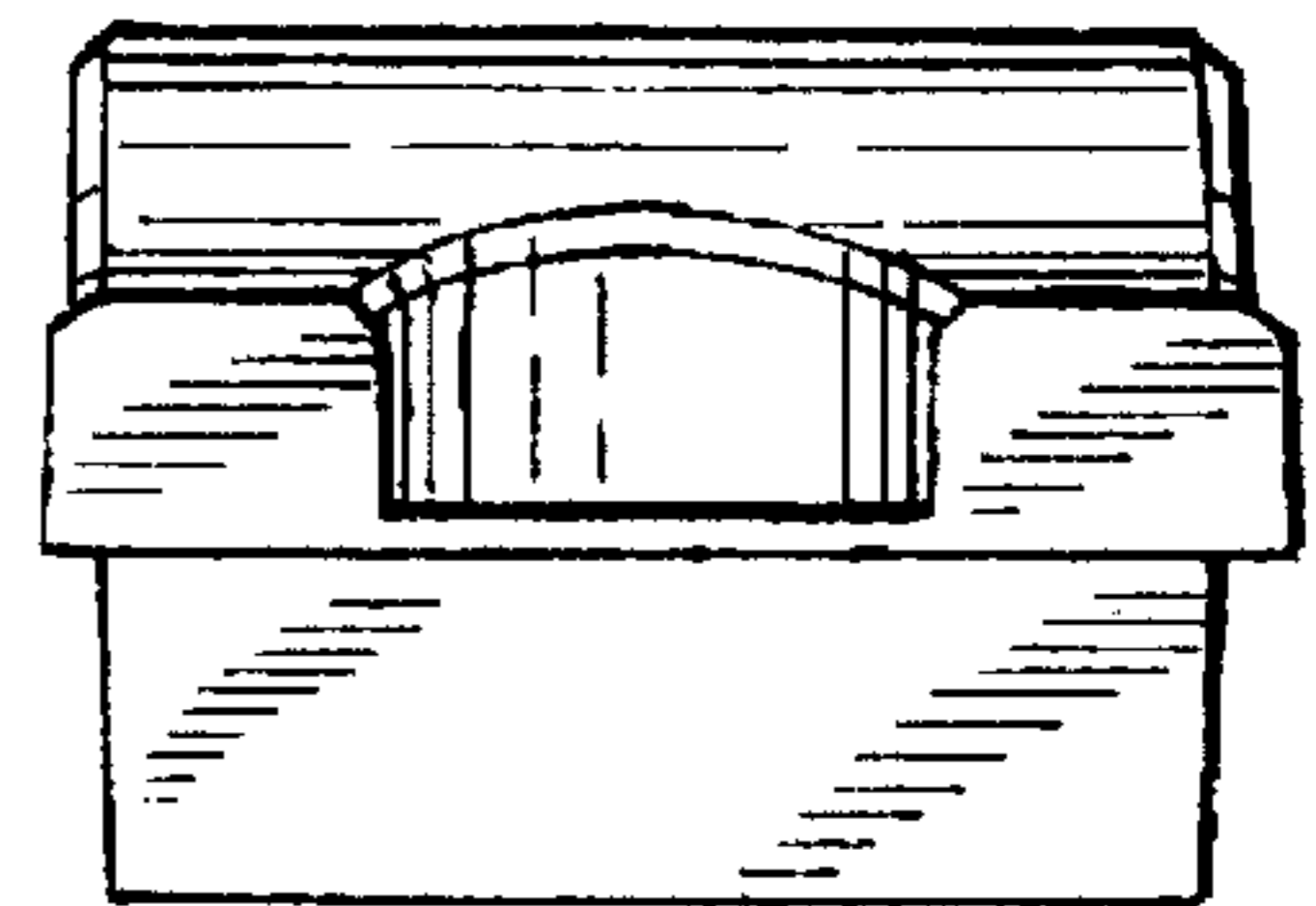


FIG. 9