



US00D394843S

# United States Patent [19]

[11] Patent Number: **Des. 394,843**

Ohta et al.

[45] Date of Patent: **\*\*Jun. 2, 1998**

[54] FUSE HOLDER FOR AUTOMOBILES

8-17328 1/1996 Japan .

[75] Inventors: **Manabu Ohta, Ogaki; Akihiko Shimizu, Ibi-gun, both of Japan**

*Primary Examiner*—James Gandy  
*Assistant Examiner*—Cathron B. Matta  
*Attorney, Agent, or Firm*—Nixon & Vanderhye

[73] Assignee: **Pacific Engineering Co., Ltd., Japan**

### [57] CLAIM

[\*\*] Term: **14 Years**

The ornamental design for fuse holder for automobiles, as shown and described.

[21] Appl. No.: **57,125**

### DESCRIPTION

[22] Filed: **Jul. 17, 1996**

[51] LOC (6) Cl. .... **13-03**

FIG. 1 is a perspective view of the design;

[52] U.S. Cl. .... **D13/178; D13/161**

FIG. 2 is a rear elevational view thereof;

[58] Field of Search ..... **D13/160, 161,**

FIG. 3 is a front elevational view thereof;

**D13/173, 178; 337/187, 201, 213, 242;**

FIG. 4 is a top plan view thereof;

**340/638; 439/490, 621, 622, 651, 698**

FIG. 5 is a bottom plan view thereof;

FIG. 6 is a right side elevational view thereof;

### [56] References Cited

FIG. 7 is a left side elevational view thereof; and,

#### U.S. PATENT DOCUMENTS

FIG. 8 is a cross-sectional view taken along line 8—8 in FIG. 6.

D. 336,073 6/1993 Happ ..... D13/161

The article of the present design is fuse holder for automobiles to protect electrical circuits, especially the main power supply, motor loads etc.

4,815,993 3/1989 Falchetti ..... 439/622

4,846,733 7/1989 Baisz et al. .... 439/622

4,880,398 11/1989 Hsueh ..... D13/178 X

#### FOREIGN PATENT DOCUMENTS

8-022762 1/1996 Japan .

**1 Claim, 3 Drawing Sheets**

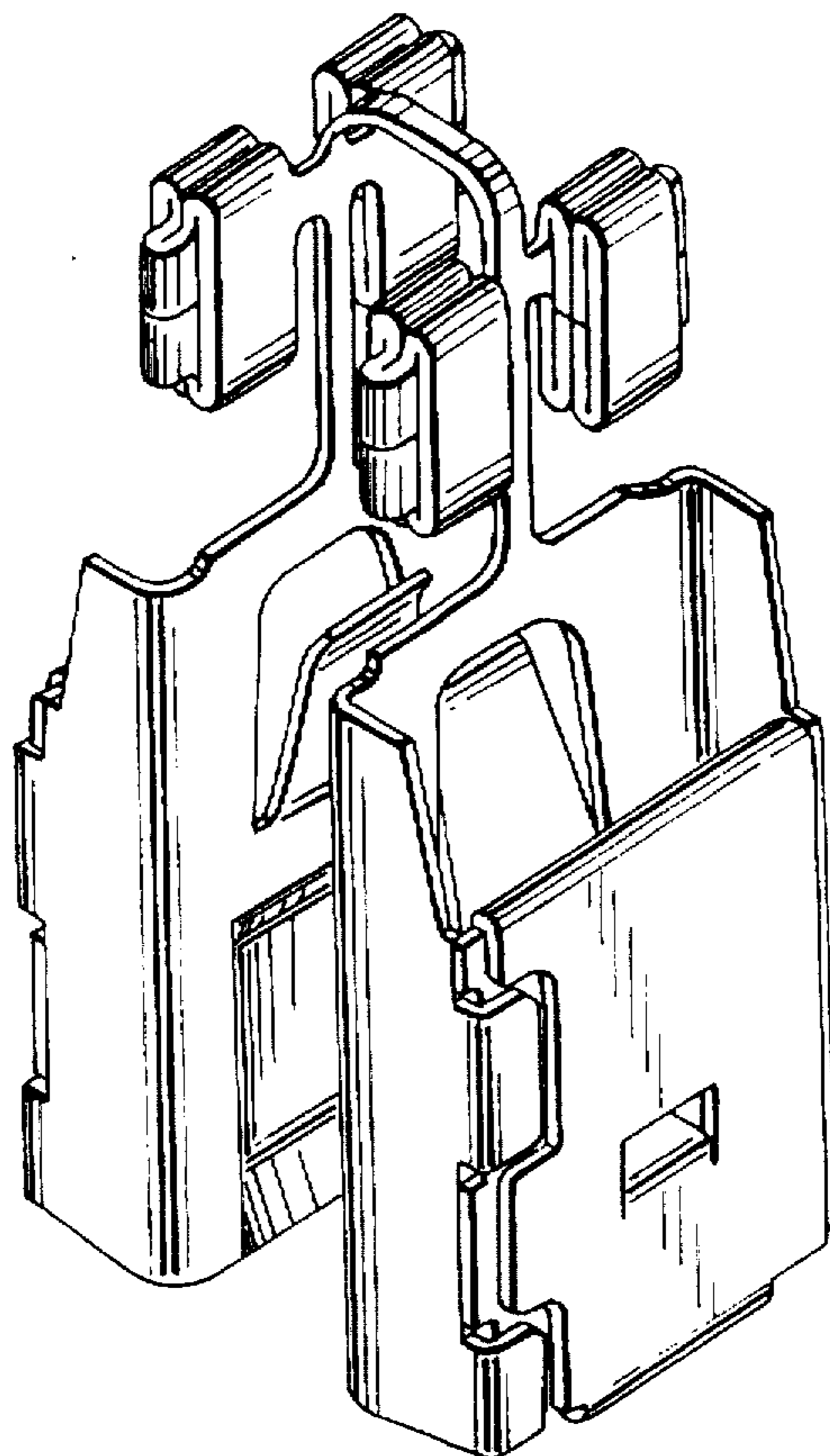


FIG. 1

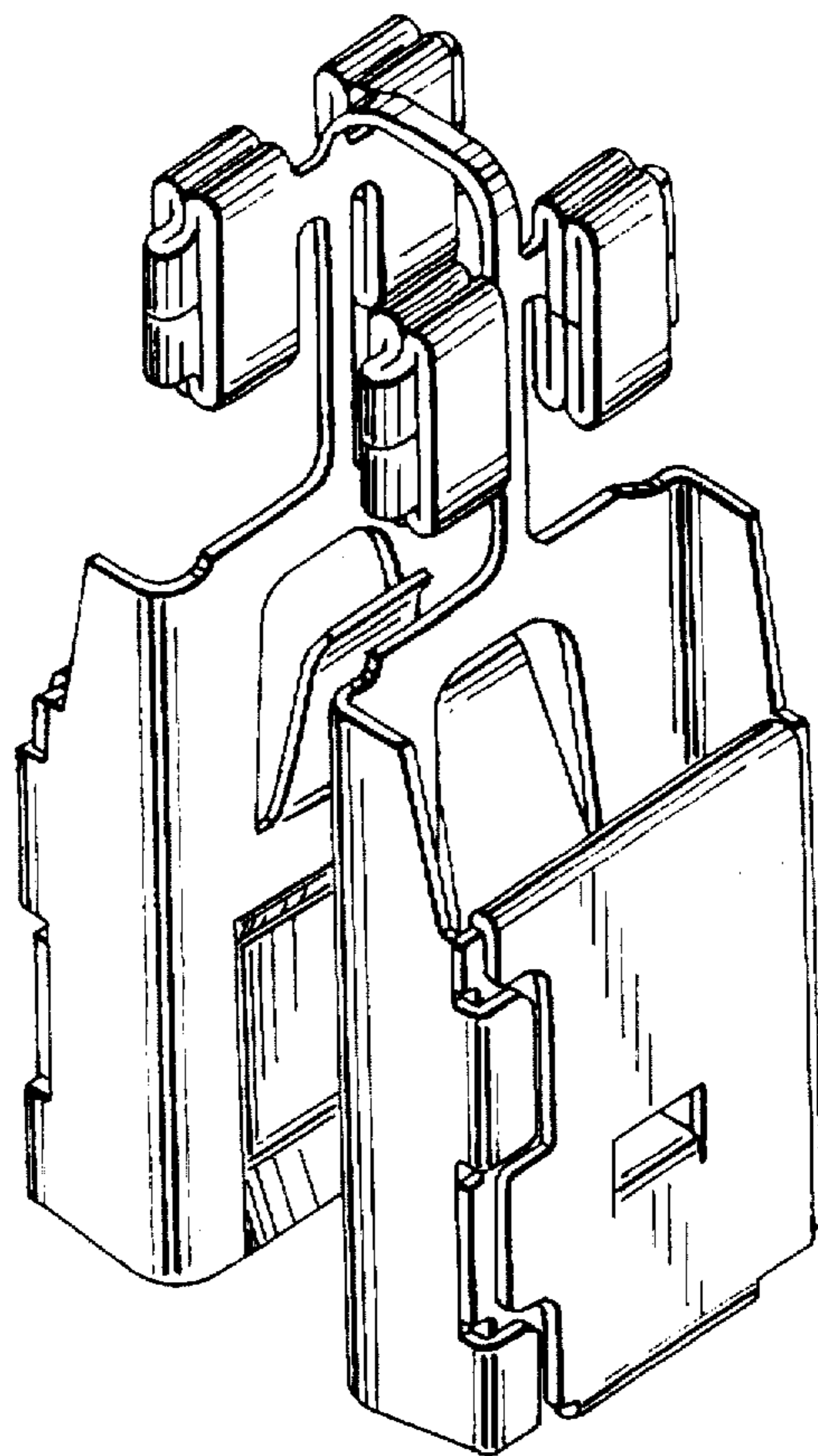


FIG. 2

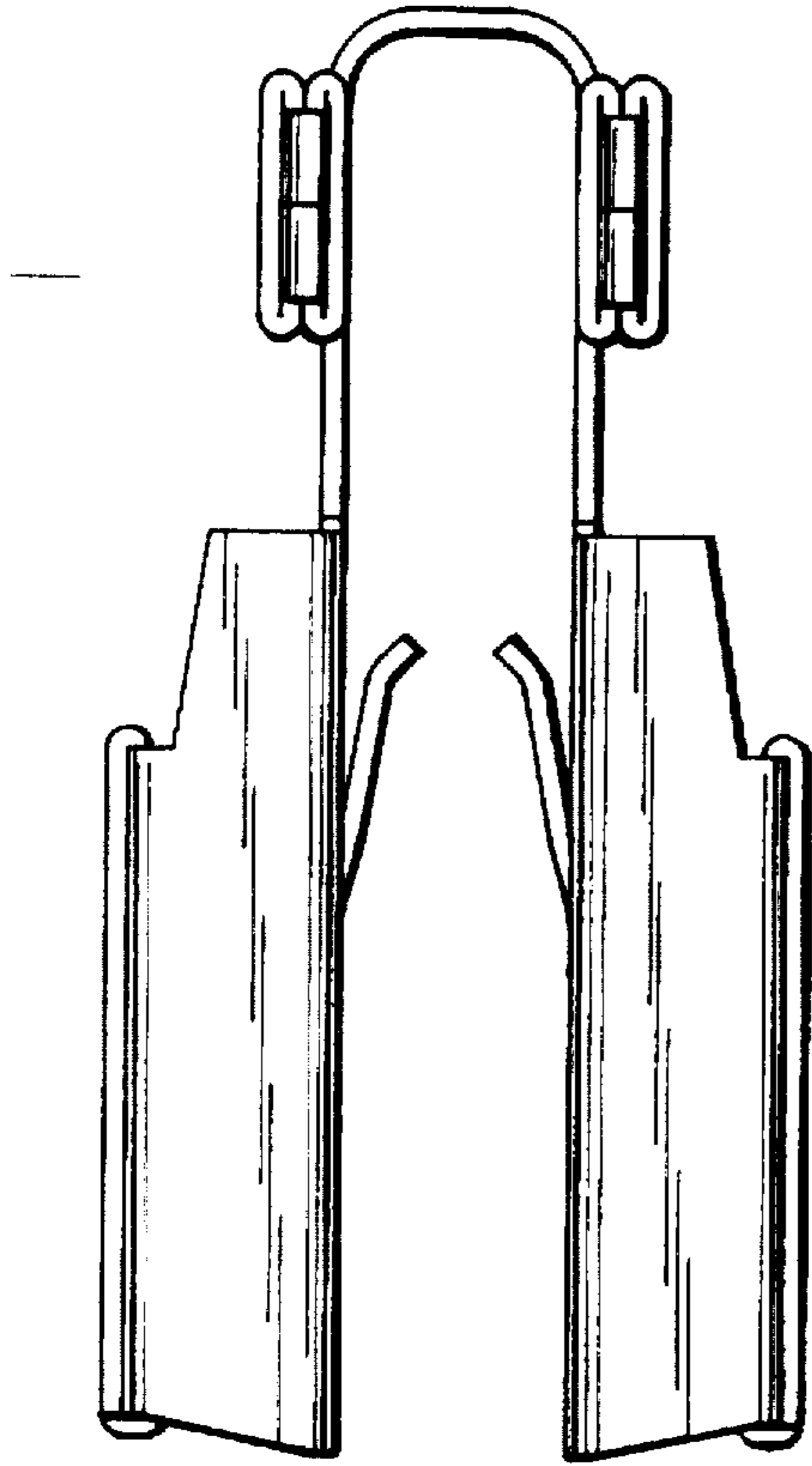


FIG. 3

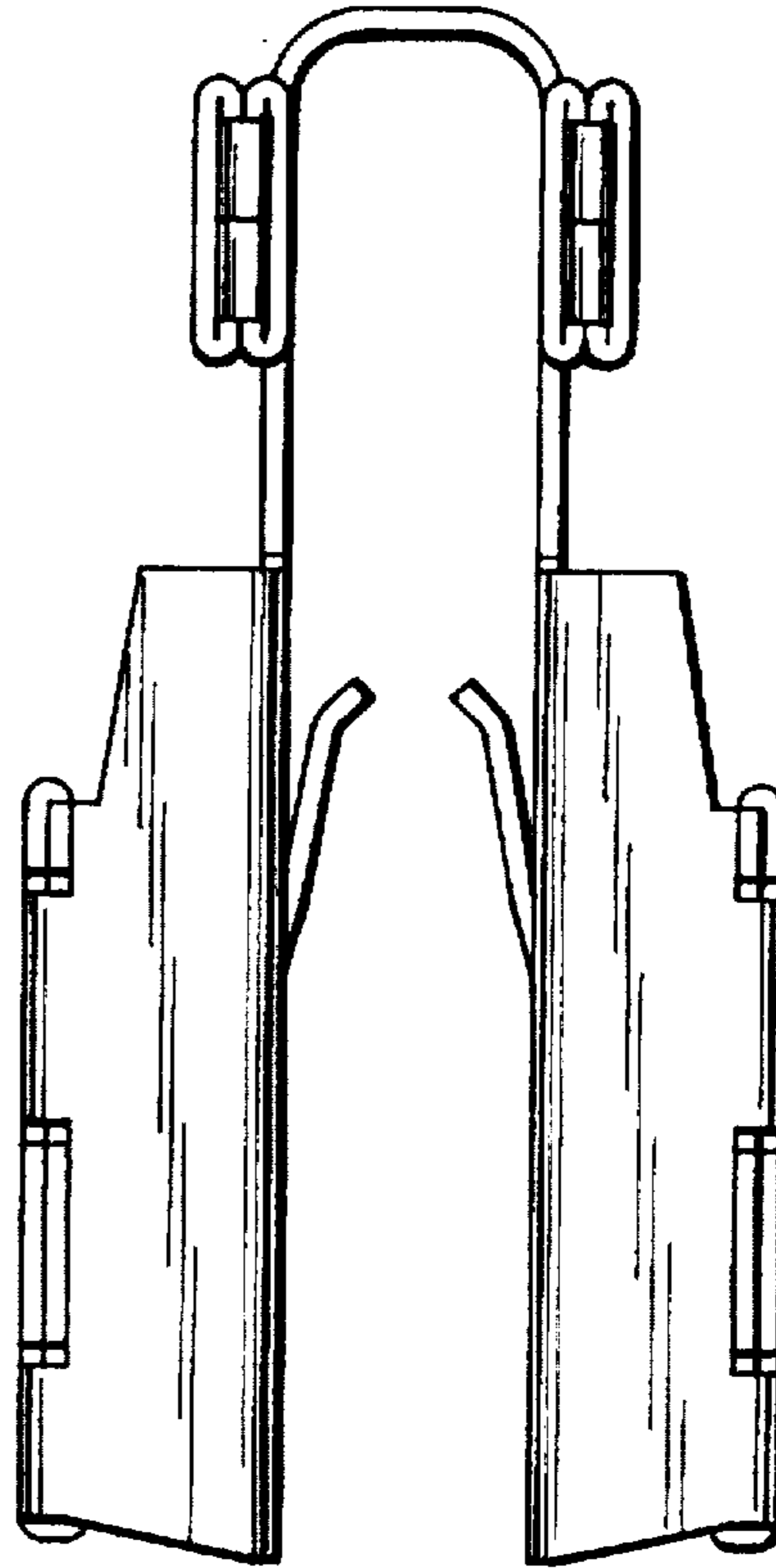


FIG. 4

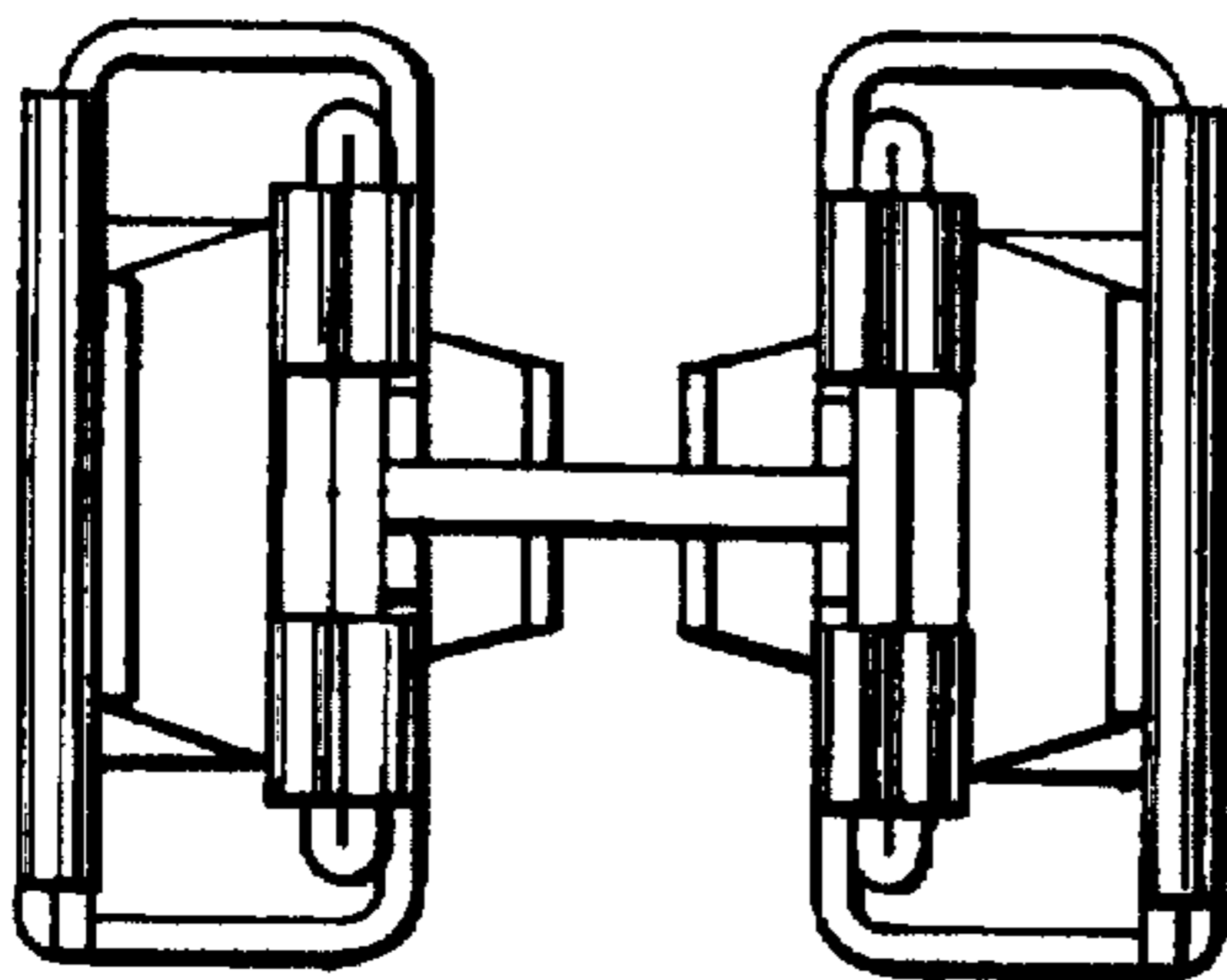


FIG. 5

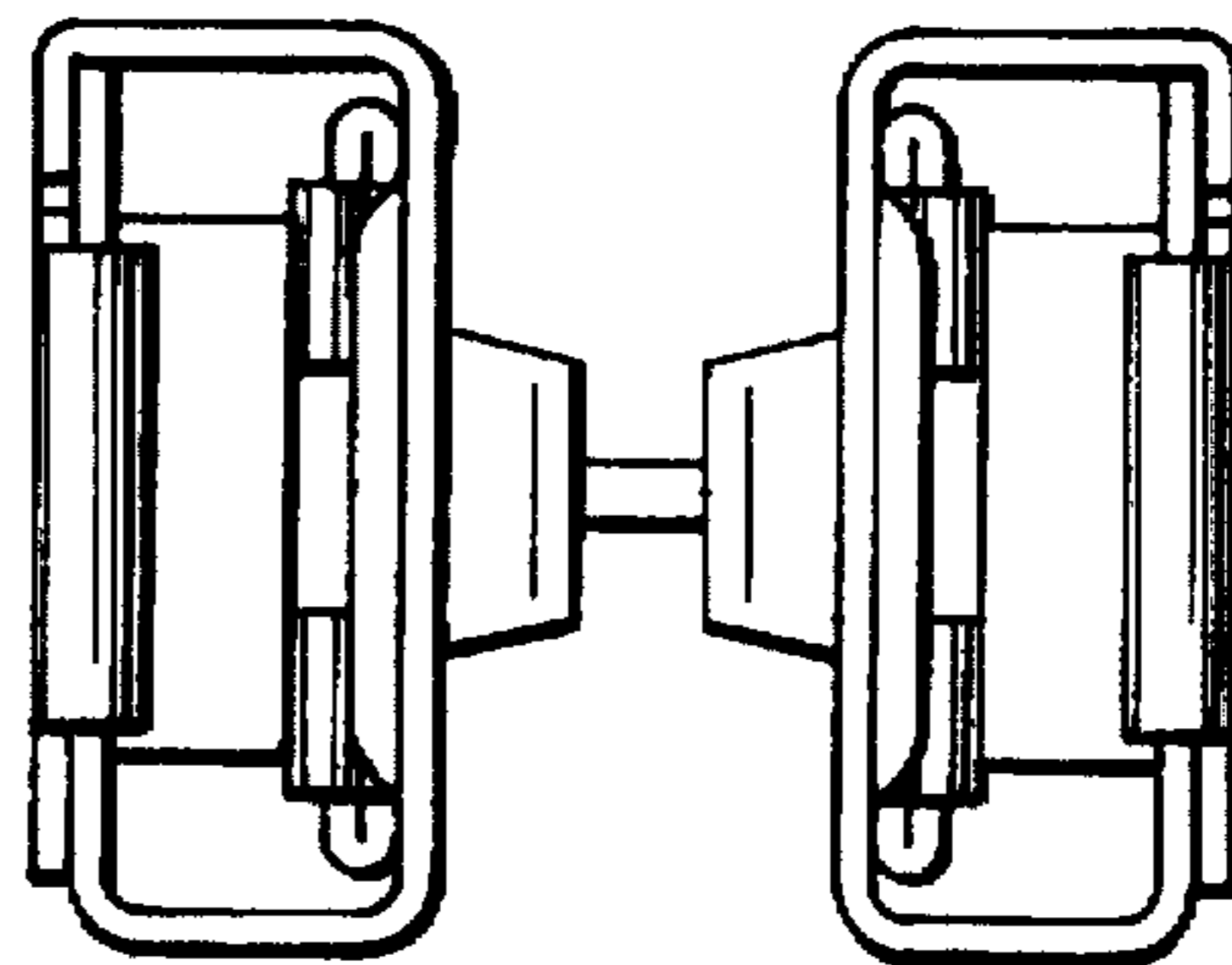


FIG. 6

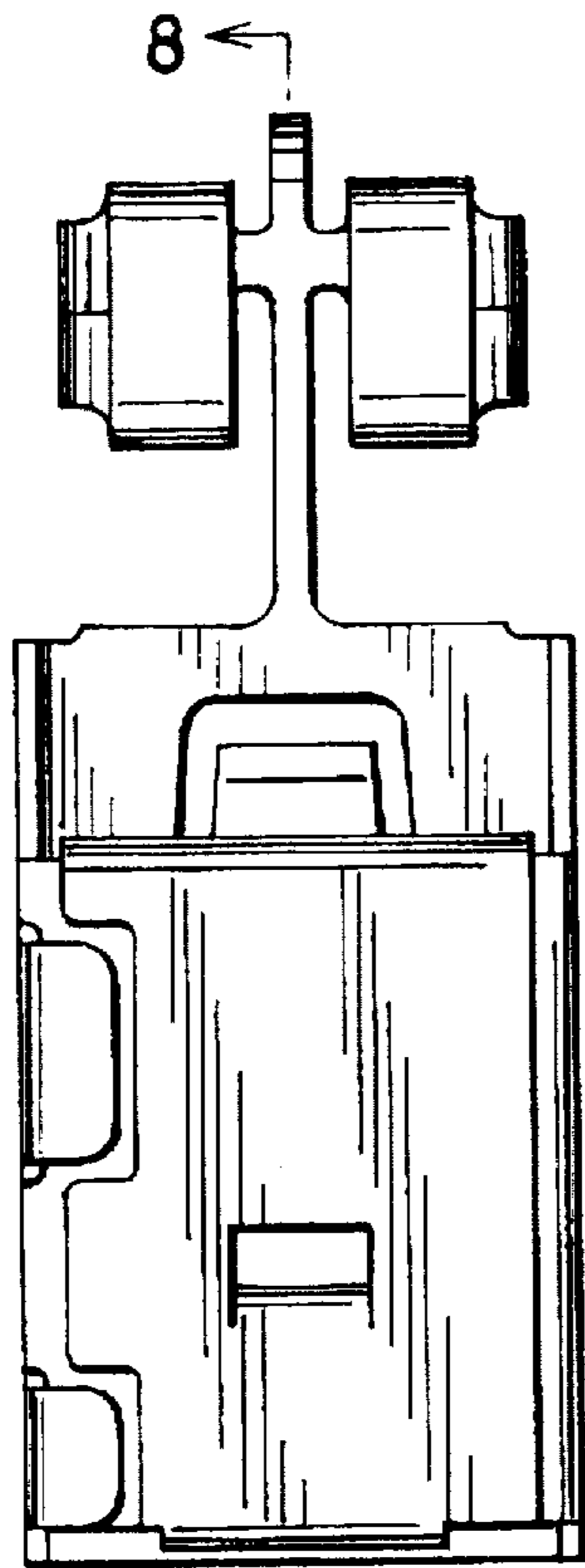
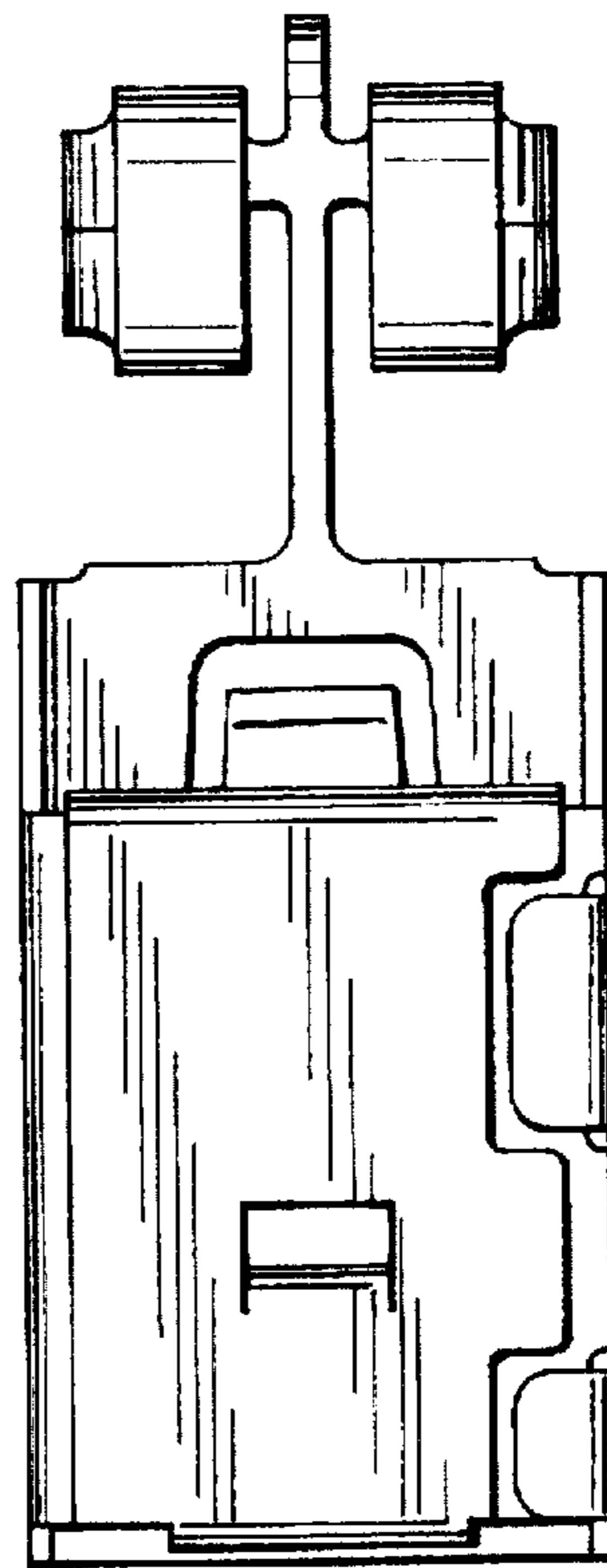


FIG. 7



8  
FIG. 8

