



US00D394840S

United States Patent [19]

Young

[11] Patent Number: **Des. 394,840**

[45] Date of Patent: ****Jun. 2, 1998**

[54] **VEHICLE DOOR WINDOWSILL SUPPORT BRACKET**

5,004,292 4/1991 Horne 248/118 X

FOREIGN PATENT DOCUMENTS

[76] Inventor: **Victor D. Young**, 178 Cherokee Dr., LaVergne, Tenn. 37086

320987 10/1929 United Kingdom 108/46
775839 5/1957 United Kingdom 108/46

[**] Term: **14 Years**

Primary Examiner—James Gandy
Assistant Examiner—Cathron B. Matta

[21] Appl. No.: **31,228**

[57] CLAIM

[22] Filed: **Nov. 14, 1994**

The ornamental design for a vehicle door windowsill support bracket, as shown and described.

[51] LOC (6) Cl. **12-06**

[52] U.S. Cl. **D12/223; D12/421**

[58] **Field of Search** D12/223, 421, D12/425; D8/349, 354, 380, 373; 108/44, 46; 224/482; 248/118, 214, 215; 297/411.21

DESCRIPTION

FIG. 1 is a perspective view of the vehicle door windowsill support bracket. The broken lines showing of the interior of a vehicle door in FIG. 1 is for illustrative purposes only and forms no part of the claimed design;

FIG. 2 is a top plan view thereof, shown at an enlarged scale; FIG. 3 is a front view of FIG. 2; and

FIG. 4 is a side view of FIG. 2.

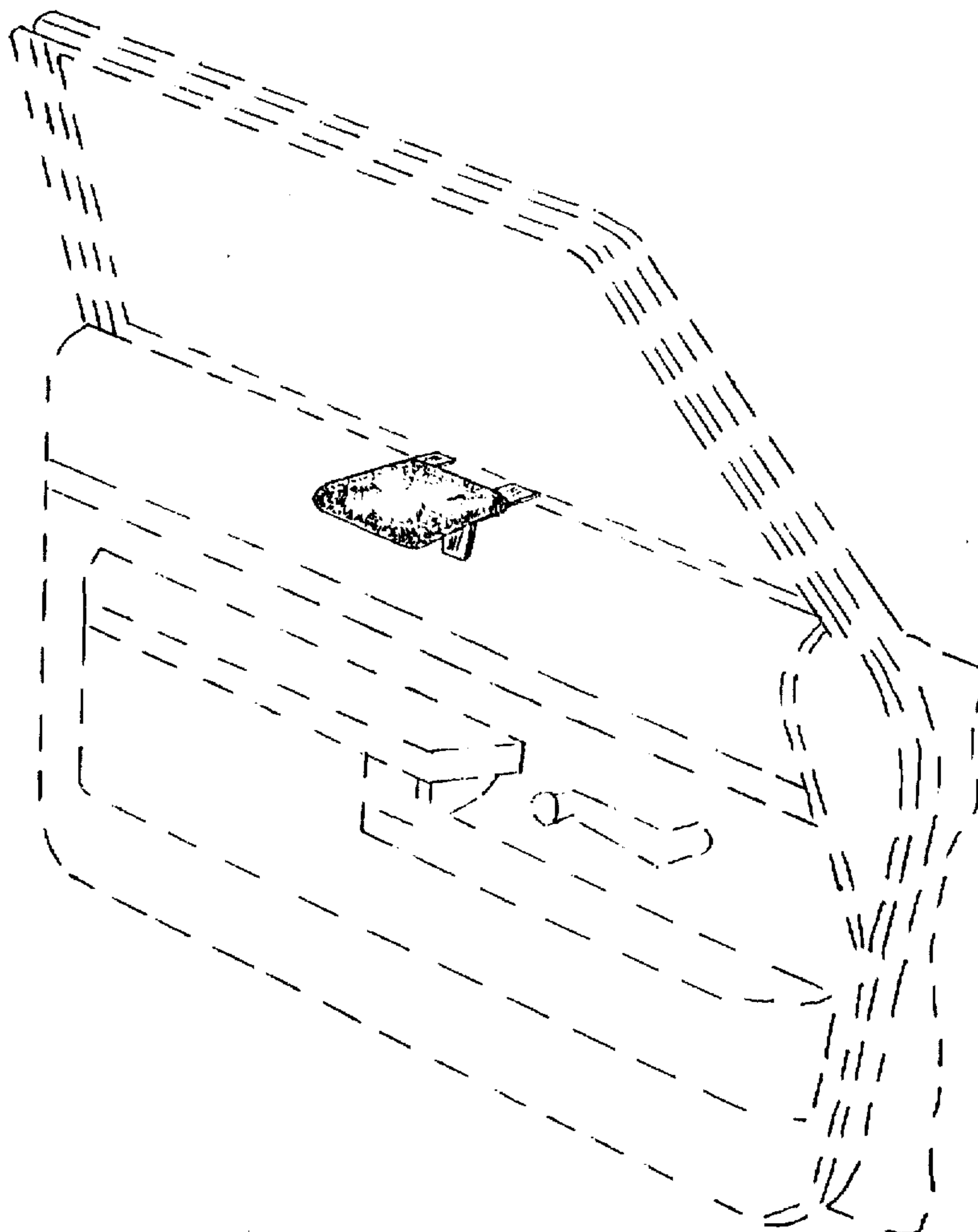
The bottom and rear surfaces of the support bracket form no part of the claimed design.

[56] References Cited

U.S. PATENT DOCUMENTS

1,836,511	12/1931	Severns	108/46
2,593,222	4/1952	Tracy	248/231.71
2,704,224	3/1955	Banks	296/153
2,763,378	9/1956	Black	211/88
2,949,334	8/1960	Amerpohl	108/46
4,592,584	6/1986	White, Jr.	108/46 X

1 Claim, 3 Drawing Sheets



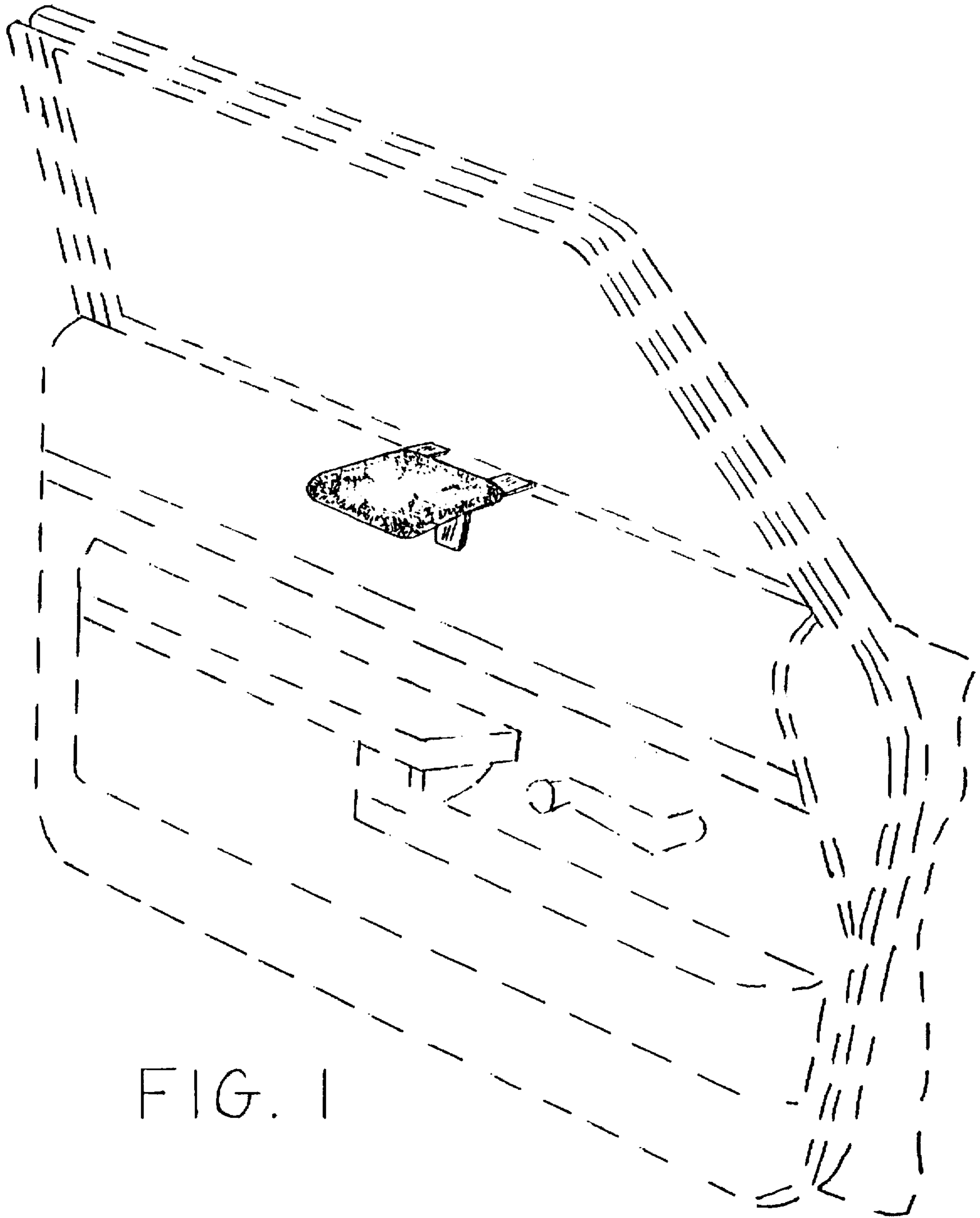


FIG. 1

FIG. 2

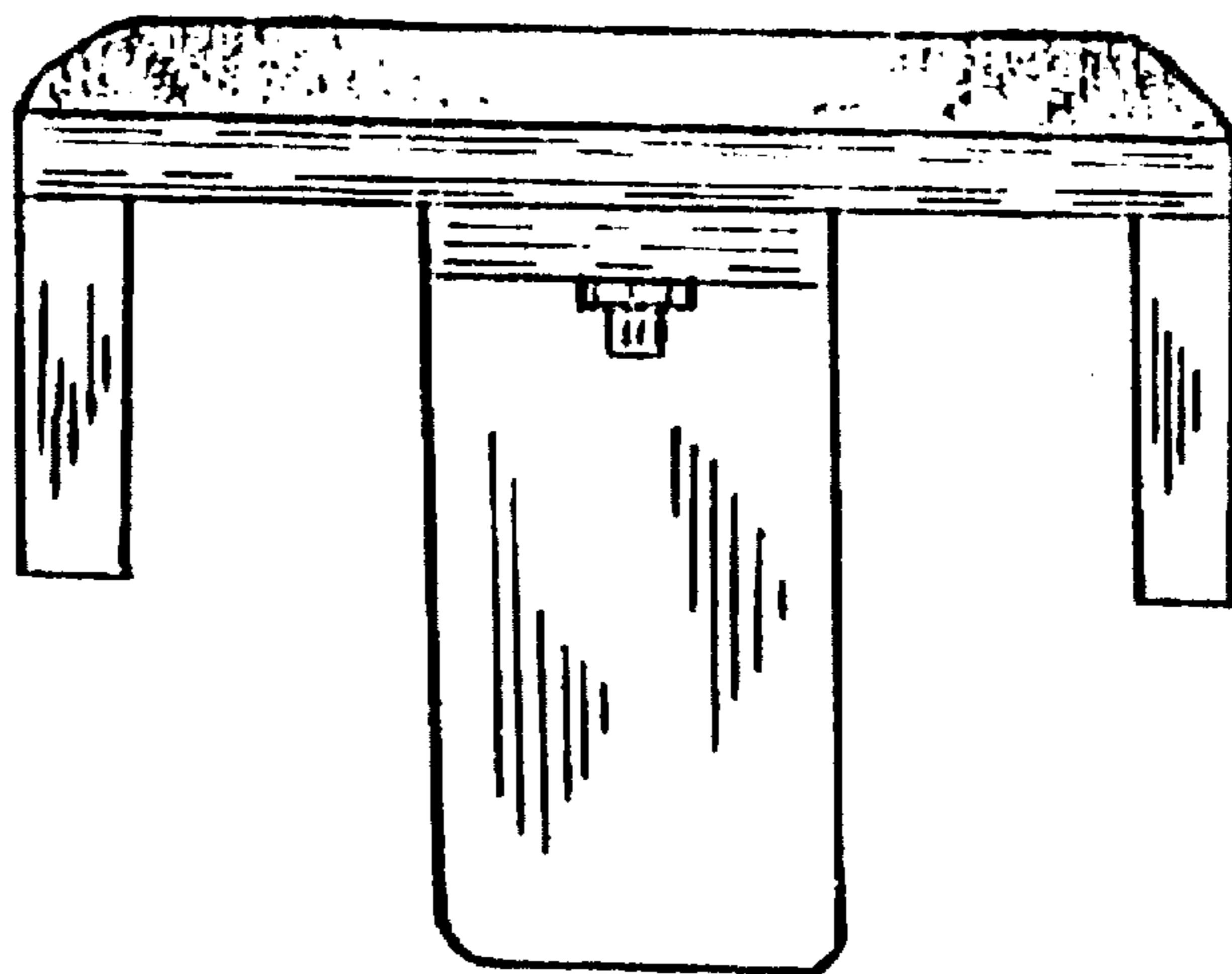
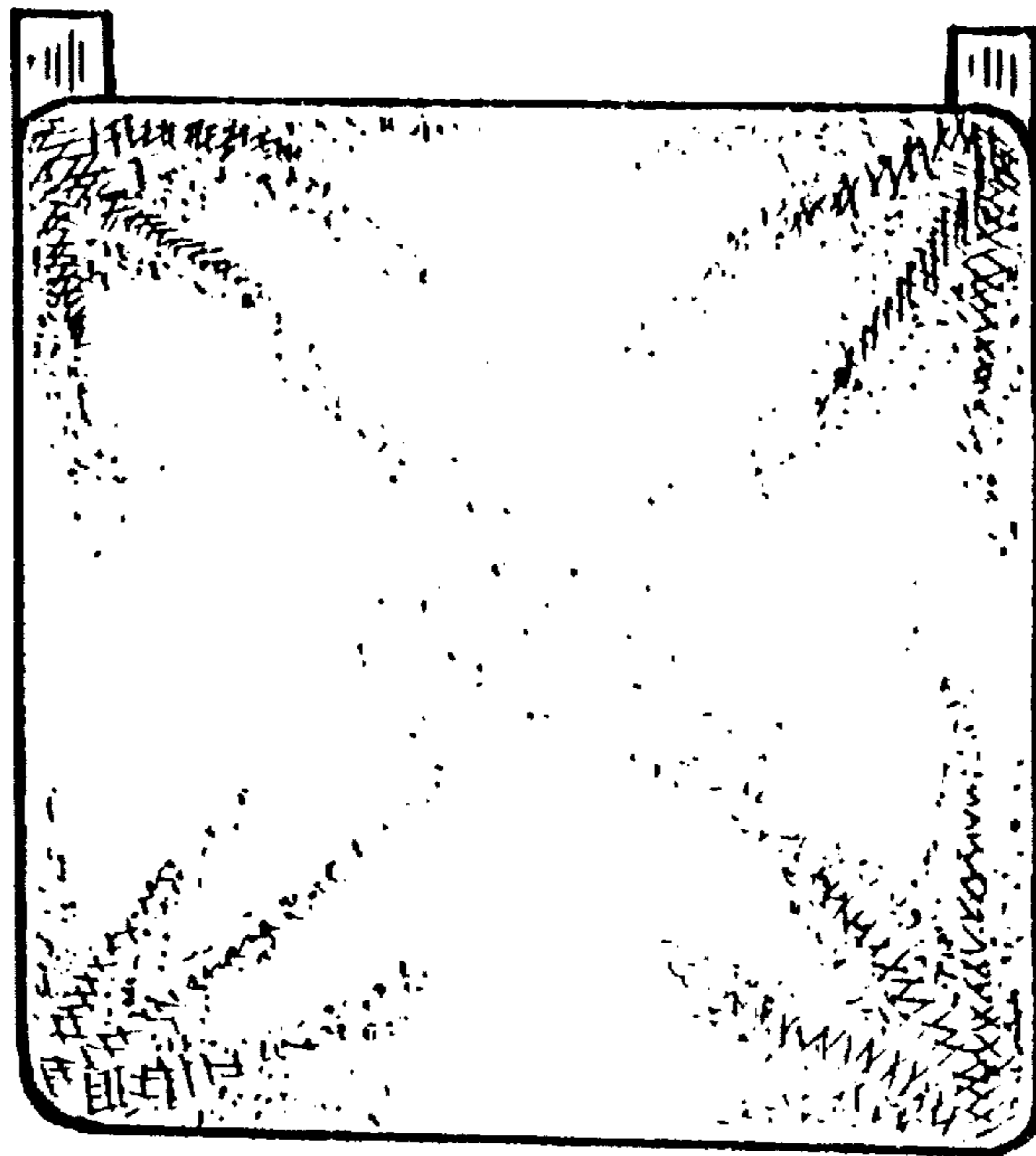


FIG. 3

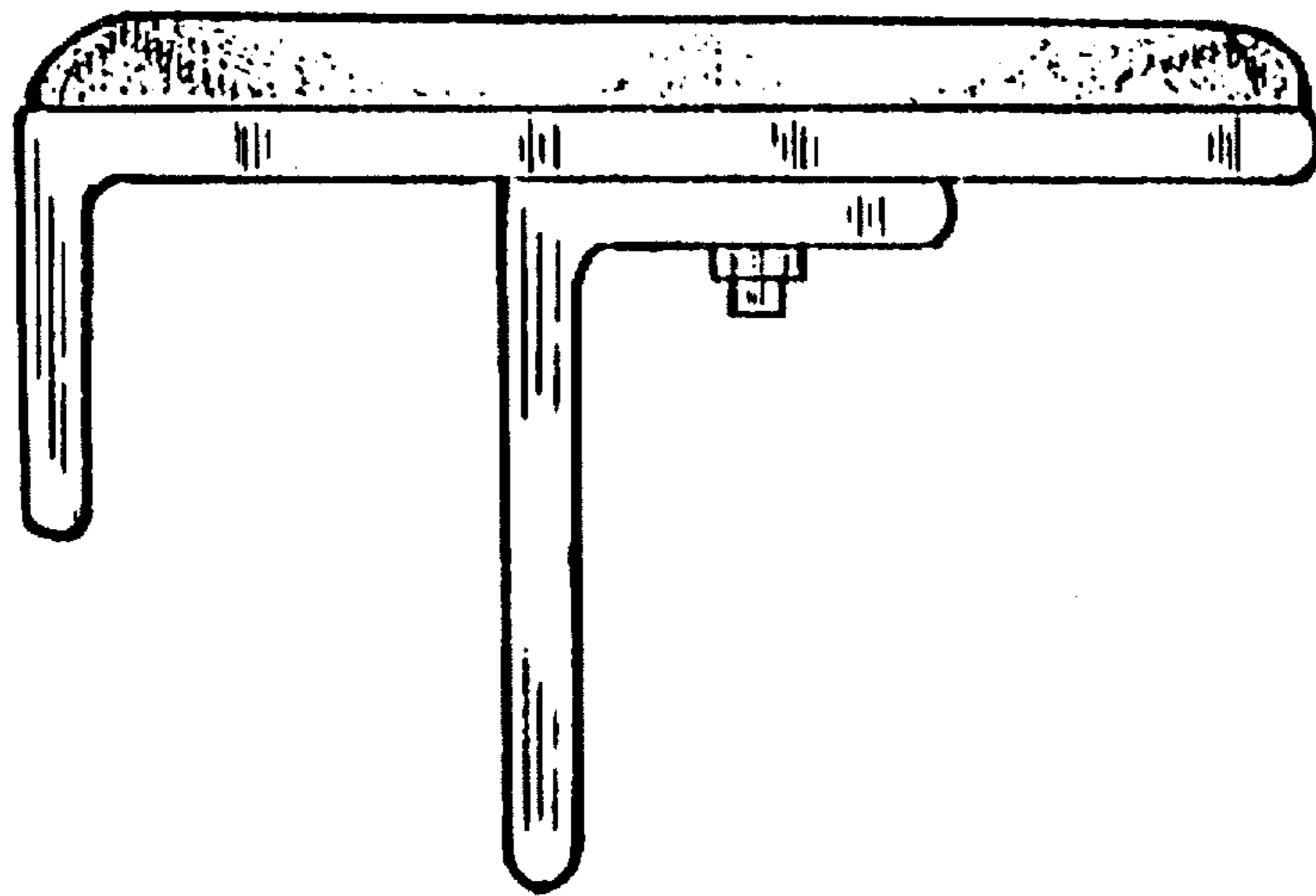


FIG. 4