



US00D394839S

United States Patent [19]
Friesen

[11] **Patent Number:** **Des. 394,839**
[45] **Date of Patent:** ****Jun. 2, 1998**

[54] **HEATED WINDSHIELD WIPER**

[76] **Inventor:** **Harvey Friesen**, 157-11th St., Morden,
MB, Canada, R6M 1E7

[**] **Term:** **14 Years**

[21] **Appl. No.:** **52,222**

[22] **Filed:** **Mar. 26, 1996**

[51] **LOC (6) Cl.** **12-16**

[52] **U.S. Cl.** **D12/219**

[58] **Field of Search** D12/219; 15/250.06,
15/250.07, 250.35, 250.33, 250.01, 250.14,
250.201, 250.203, 250.23, 250.351, 250.41,
250.44, 250.451, 250.452, 250.453, 250.454,
250.46

[56] **References Cited**

U.S. PATENT DOCUMENTS

D. 341,115	11/1993	Papania	D12/219
D. 349,082	7/1994	Brabender	D12/219
2,755,499	7/1956	Mays	15/250.06
4,152,808	5/1979	Andregg	15/250.07
4,360,941	11/1982	Mabie	15/250.07 X

Primary Examiner—Louis S. Zarfes
Attorney, Agent, or Firm—Harold H. Dutton, Jr.

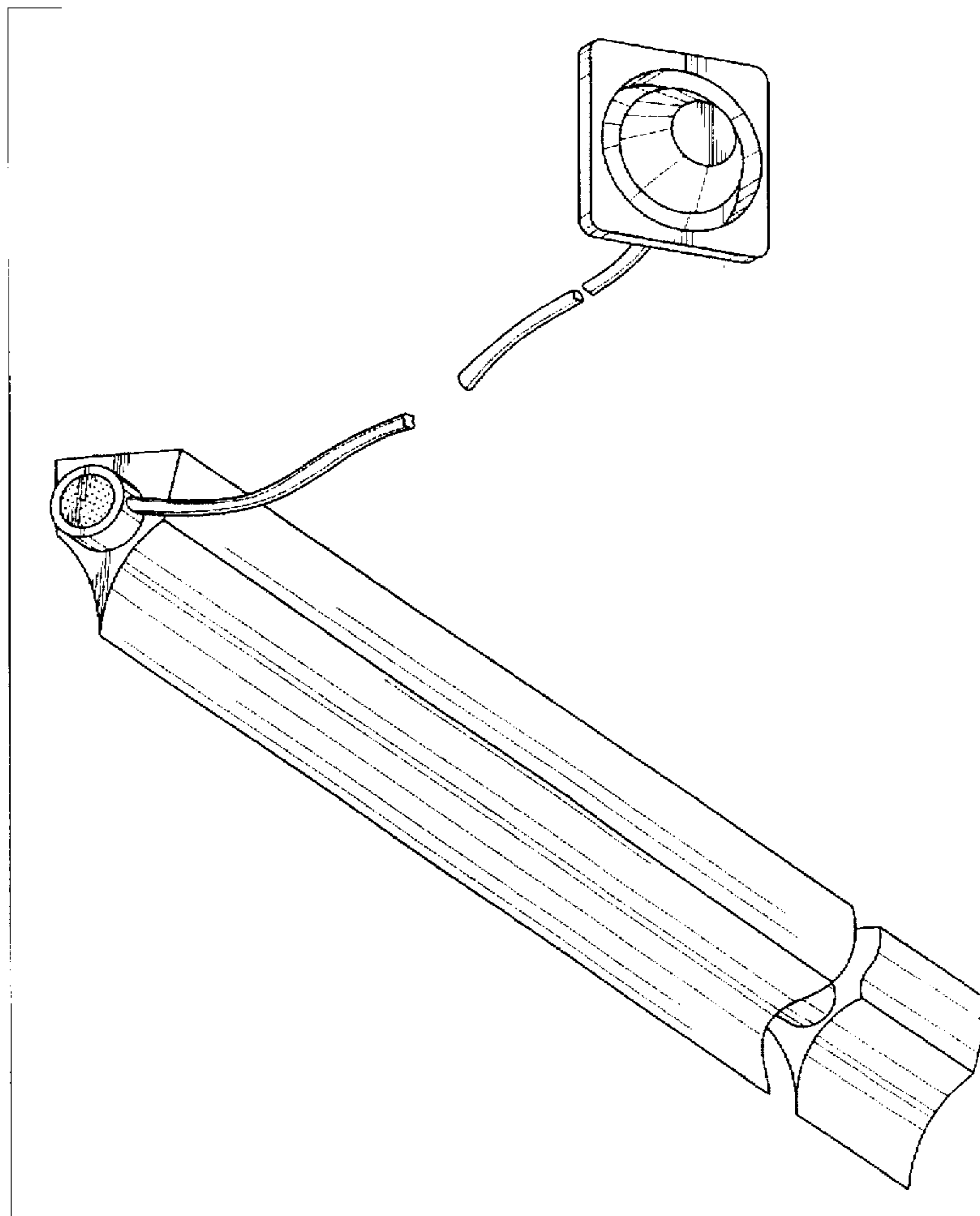
[57] **CLAIM**

The ornamental design for a heated windshield wiper, as shown and described.

DESCRIPTION

FIG. 1 is a perspective view of a heated windshield wiper showing my new design;
FIG. 2 is a top view of the wiper portion thereof;
FIG. 3 is a bottom view thereof;
FIG. 4 is a rear view thereof;
FIG. 5 is a front view thereof;
FIG. 6 is a left side view thereof;
FIG. 7 is a right side view thereof;
FIG. 8 is a front view of the controller portion;
FIG. 9 is a rear view thereof;
FIG. 10 is a left side view thereof;
The right side view is a mirror image thereof;
FIG. 11 is a top view thereof; and,
The bottom view is a mirror image thereof.
The broken away portions are indicative of indeterminate length.

1 Claim, 5 Drawing Sheets



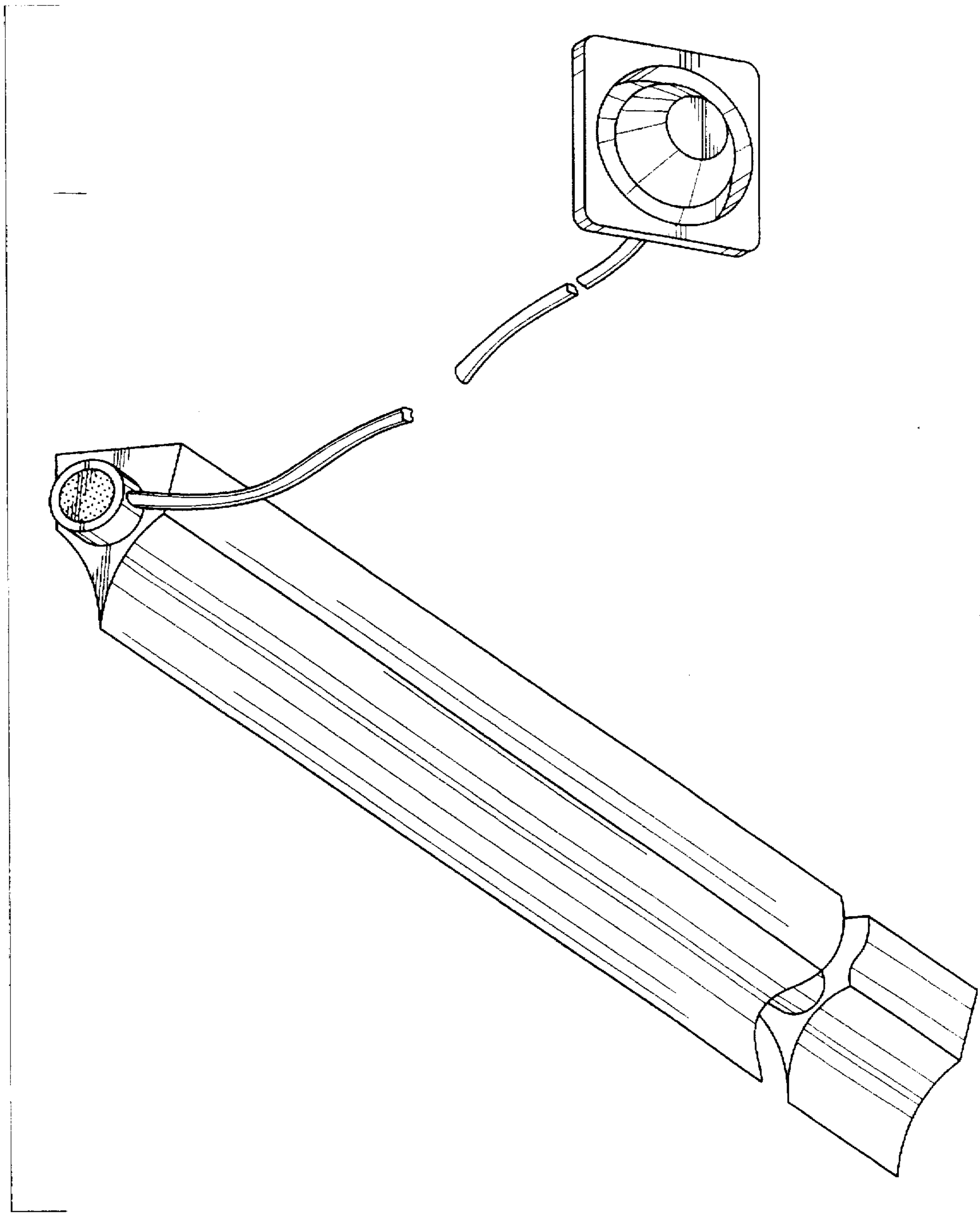


FIG. 1

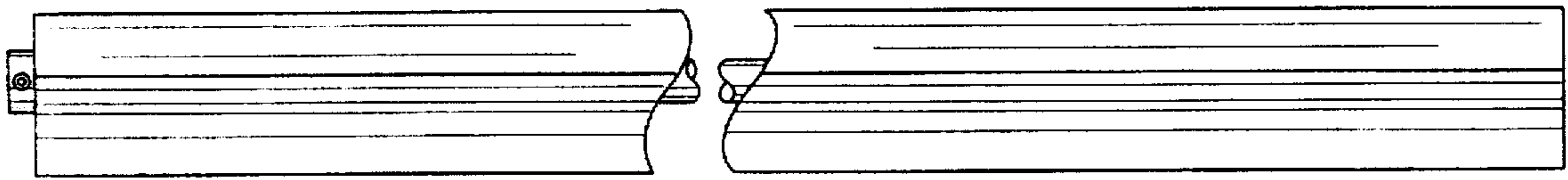


FIG. 2

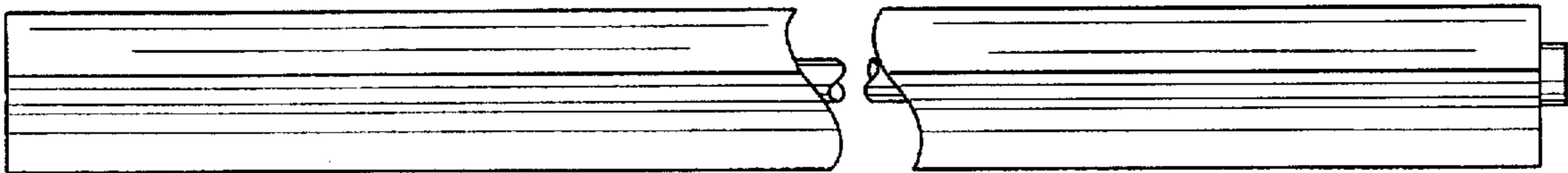


FIG. 3

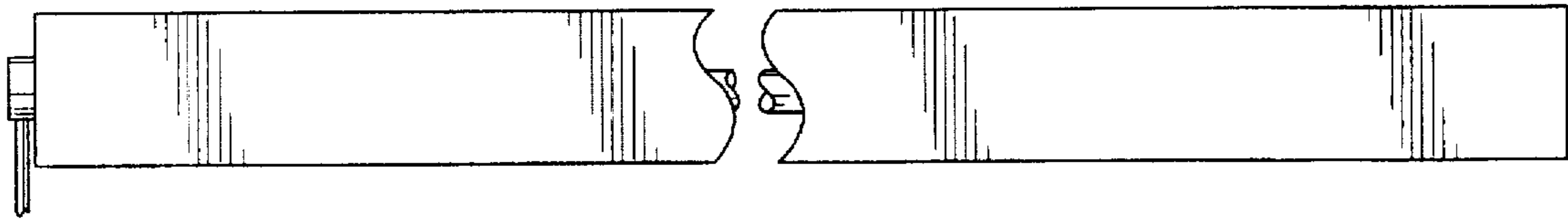


FIG. 4

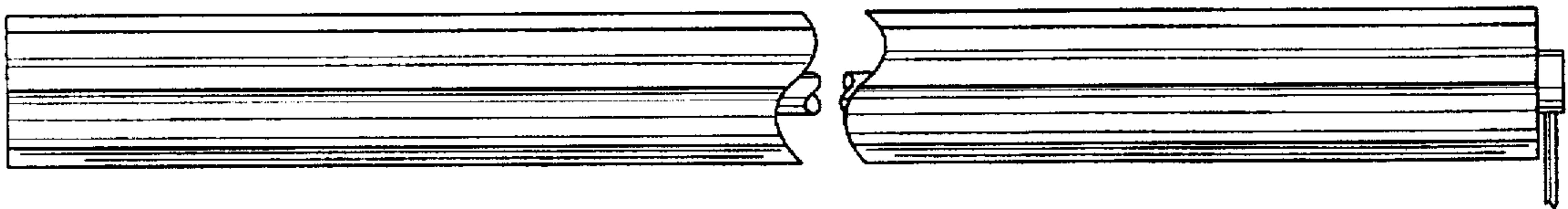


FIG. 5

FIG. 6

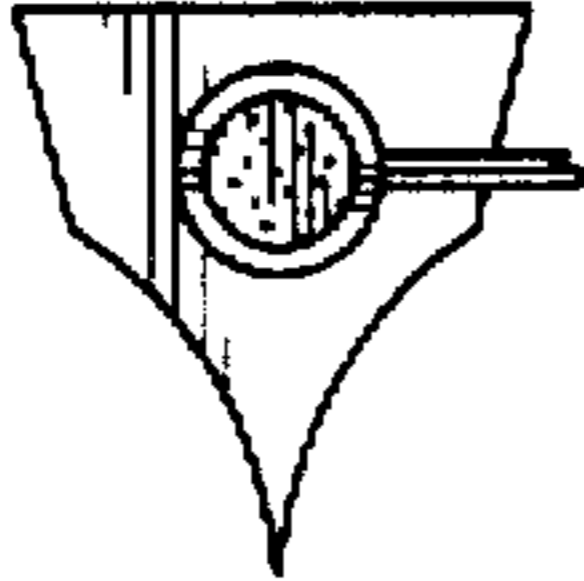
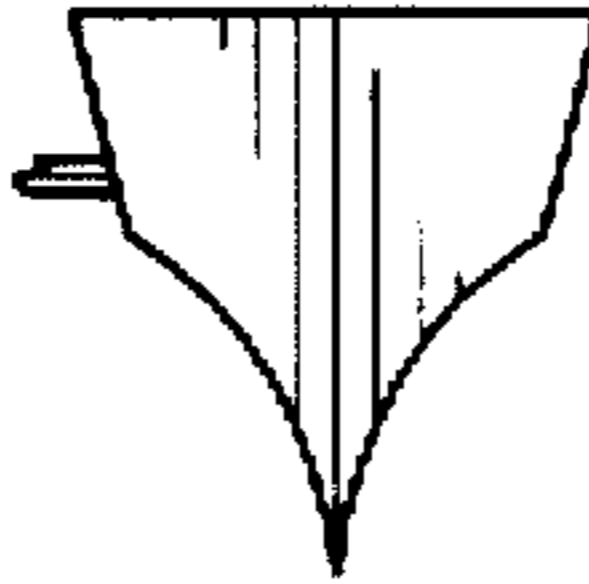


FIG. 7



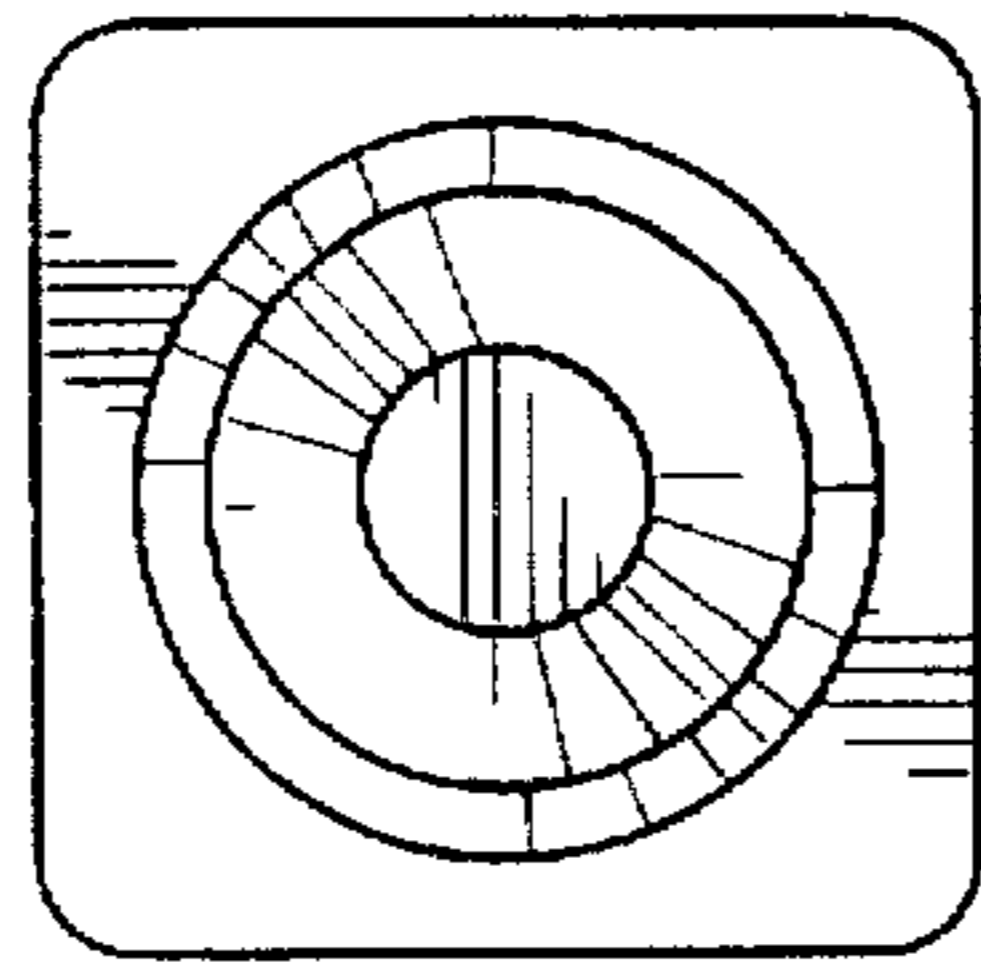


FIG. 8

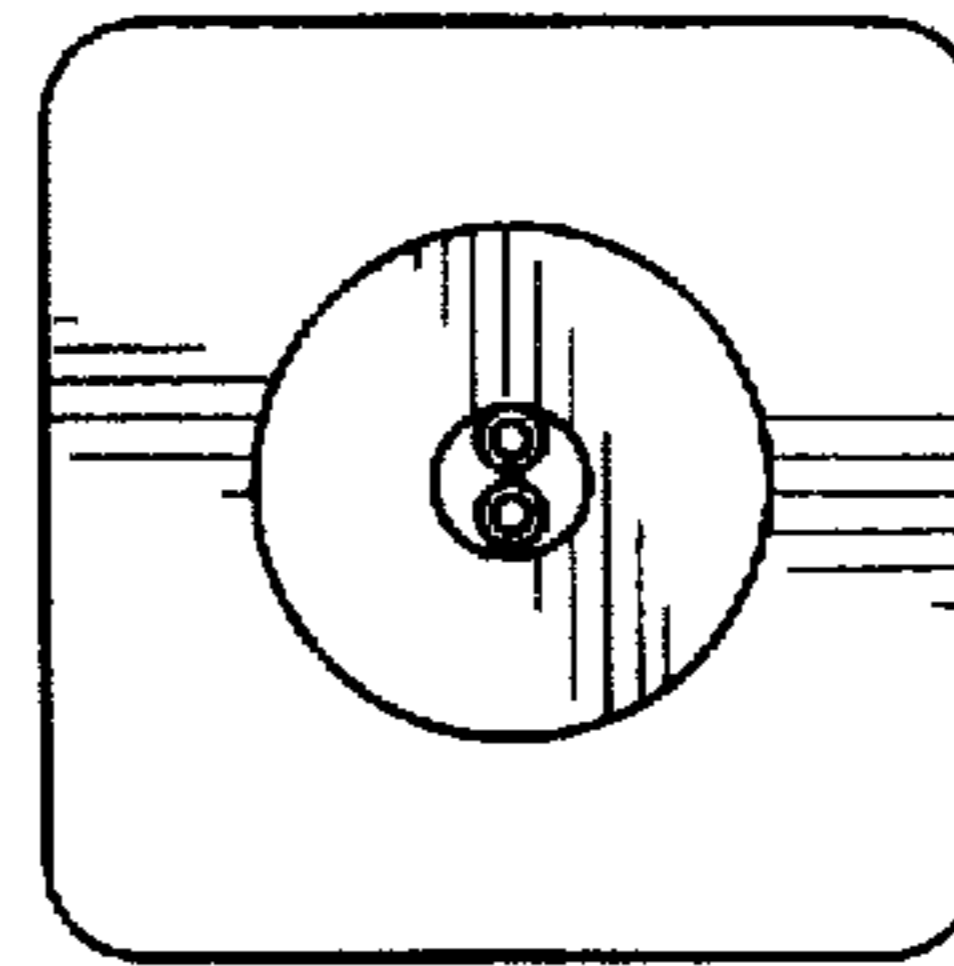


FIG. 9

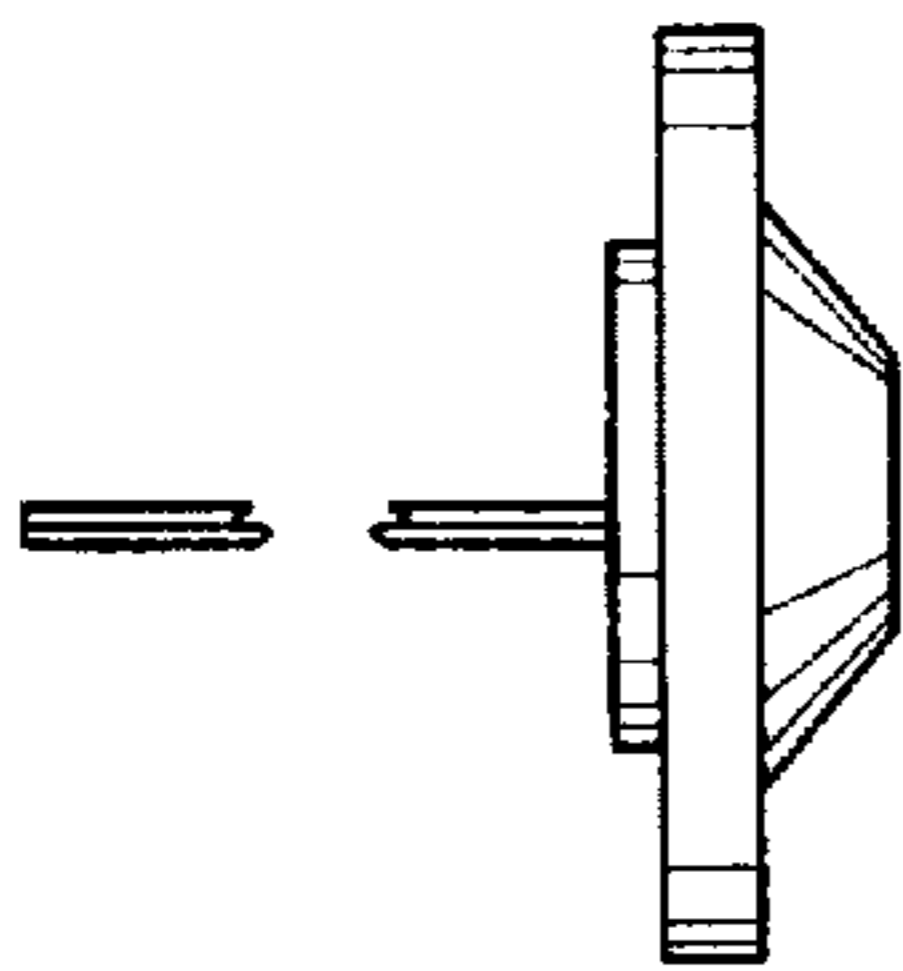


FIG. 10

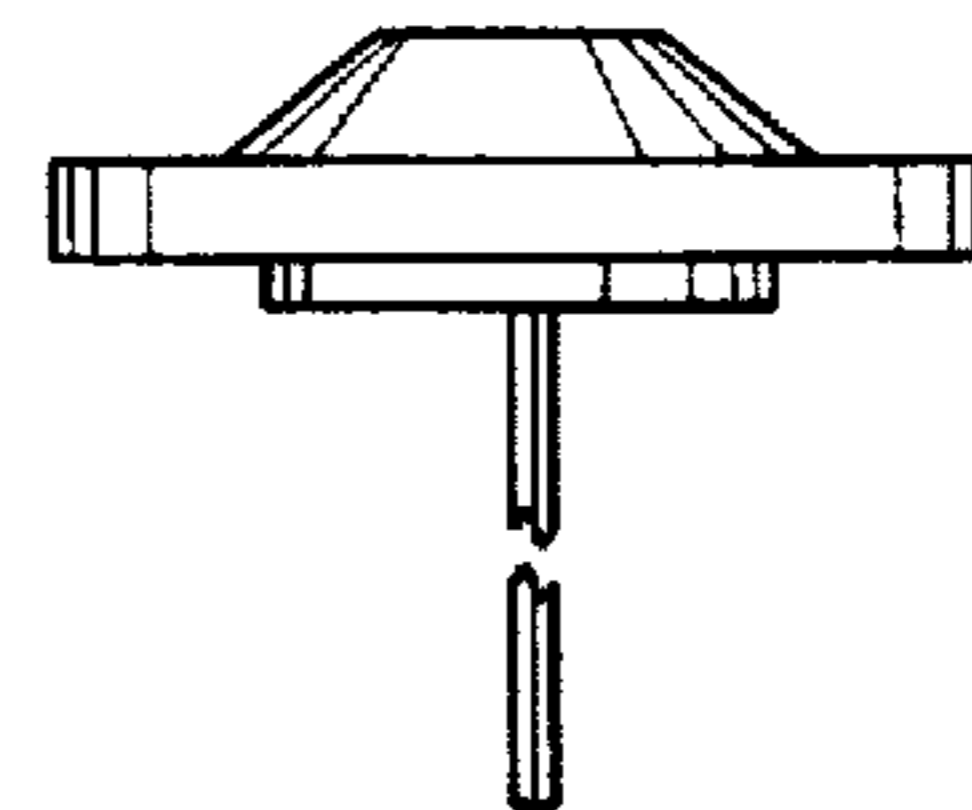


FIG. 11