



US00D394837S

United States Patent [19]
Gill, Jr.

[11] **Patent Number: Des. 394,837**
[45] **Date of Patent: **Jun. 2, 1998**

[54] **WHEEL CENTER**

[75] **Inventor: David C. Gill, Jr.**, Burlington, Wis.

[73] **Assignee: Wheel Specialties, Inc.**, Twin Lakes, Wis.

[**] **Term: 14 Years**

[21] **Appl. No.: 64,375**

[22] **Filed: Dec. 30, 1996**

[51] **LOC (6) Cl. 12-16**

[52] **U.S. Cl. D12/209**

[58] **Field of Search D12/204-213;**
301/64.1, 65, 37.1

[56] **References Cited**

U.S. PATENT DOCUMENTS

D. 231,656	5/1974	Ishibashi	D12/209
D. 250,259	11/1978	Patch	D12/209
D. 256,910	9/1980	Patch	D12/209
D. 335,859	5/1993	Mattin	D12/211
D. 340,438	10/1993	Sheeler	D12/209
D. 363,913	11/1995	Chung	D12/209
D. 372,699	8/1996	Mantua	D12/209

OTHER PUBLICATIONS

Custom Wheel & Tire Style Guide, p. 31. See "57-RWD", 1993.

Custom Wheel & Tire Style Guide, p. 28. See "Series 93", 1993.

Primary Examiner—James Gandy

Assistant Examiner—Stacia Sinuik

Attorney, Agent, or Firm—Andrus, Sceaux, Starke & Sawall

[57] **CLAIM**

The ornamental design for a wheel center, as shown and described.

DESCRIPTION

FIG. 1 is a front perspective view of a wheel center showing my new design;

FIG. 2 is a front elevation view thereof;

FIG. 3 is a side elevation view thereof;

FIG. 4 is a top plan view thereof;

FIG. 5 is a bottom plan view thereof; and,

FIG. 6 is a section view thereof taken along line 6—6 of FIG. 2.

The broken line showing of the wheel rim, the central hub area, and the peripheral boundary of the wheel center is for illustrative purposes only and forms no part of the claimed design.

1 Claim, 3 Drawing Sheets

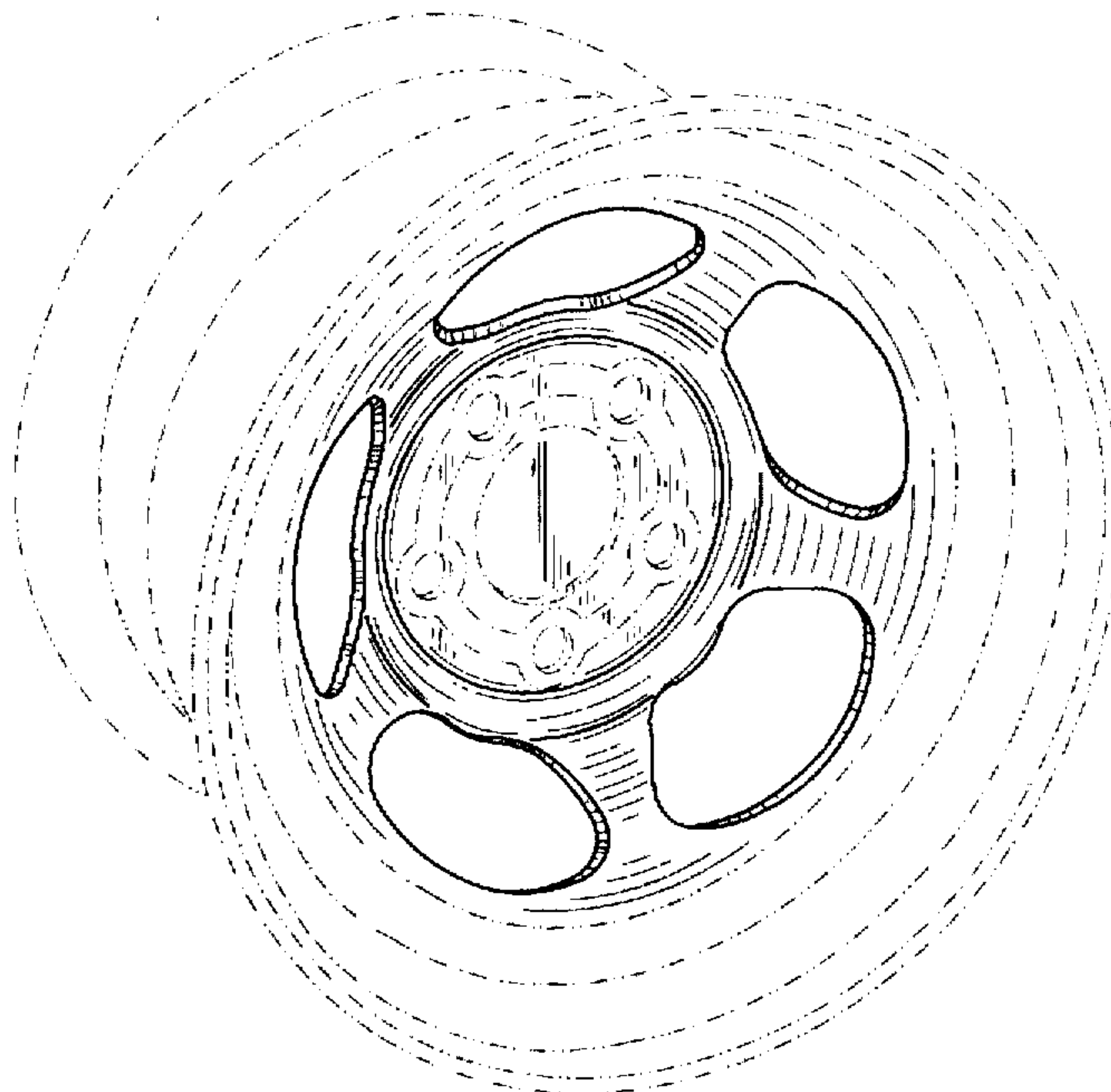


FIG. 6

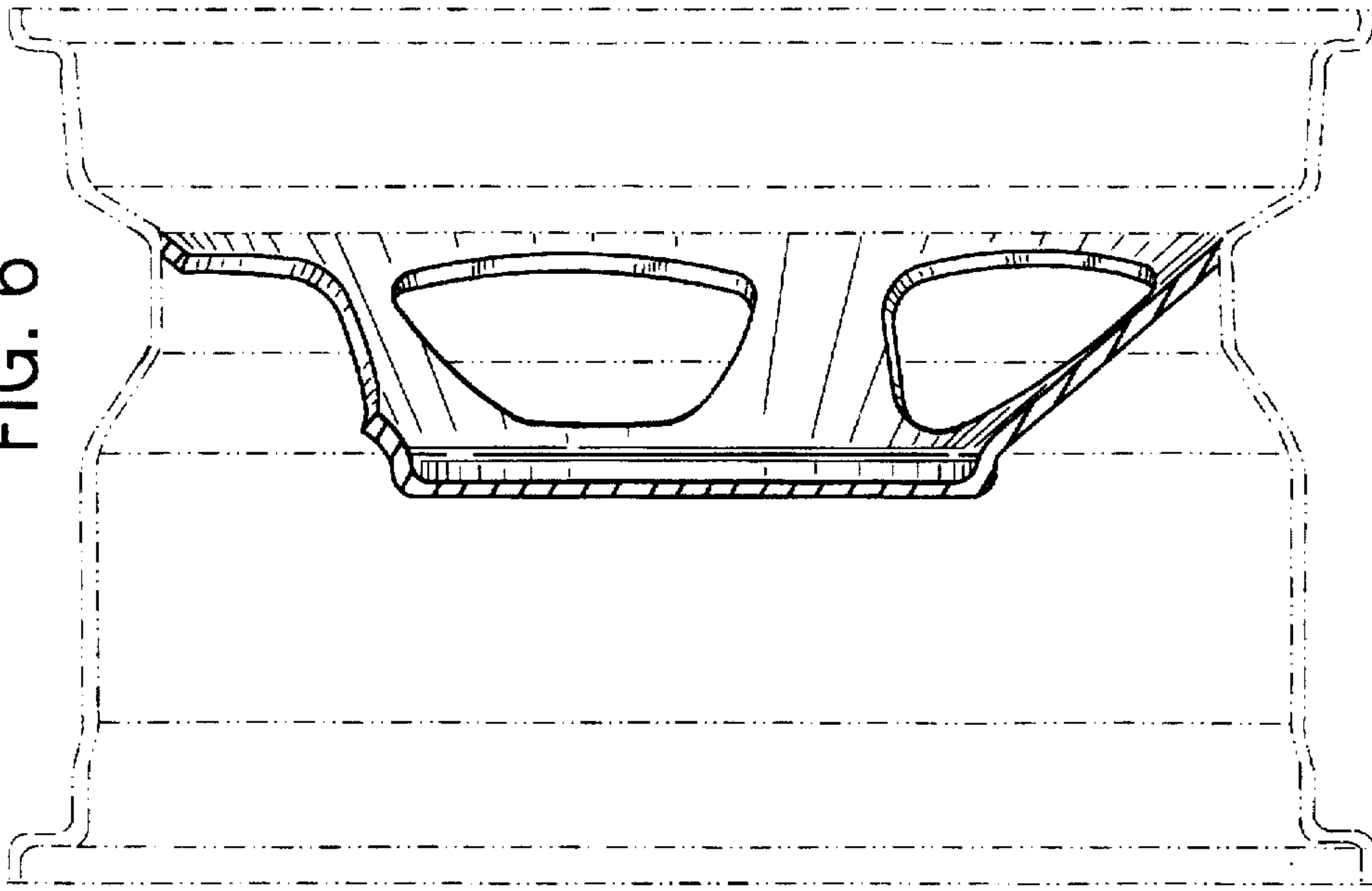


FIG. 1

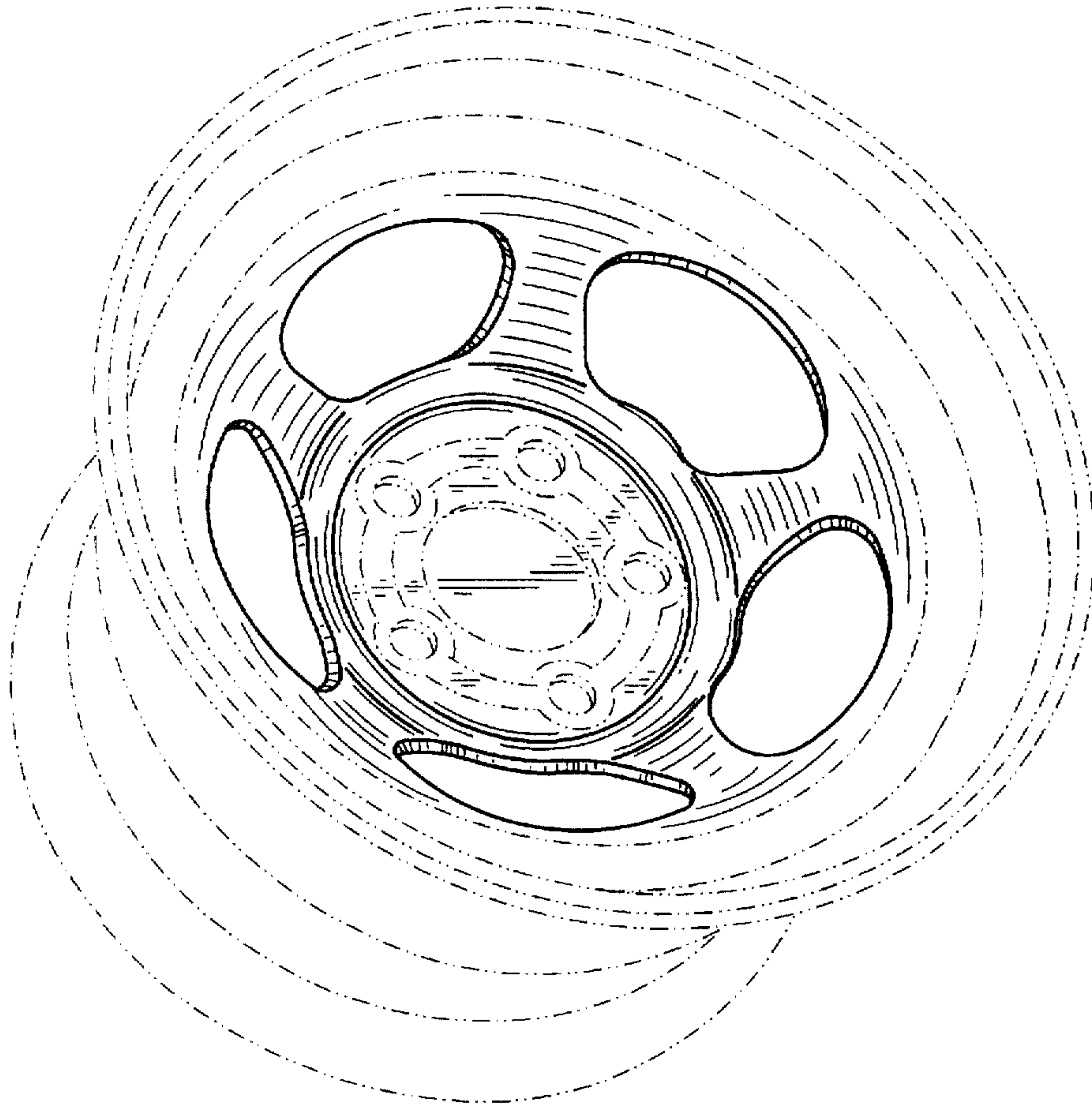
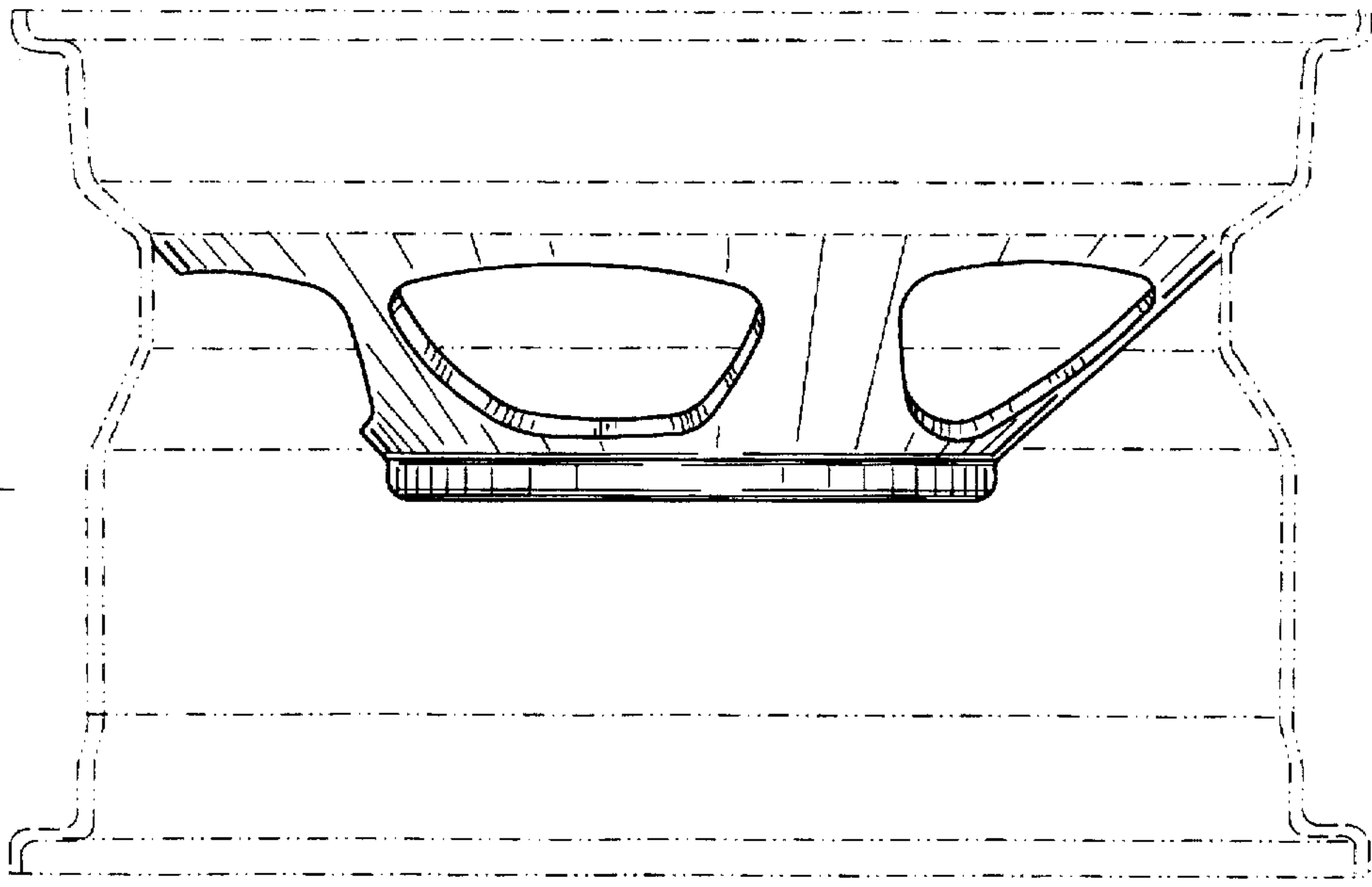


FIG. 3



6

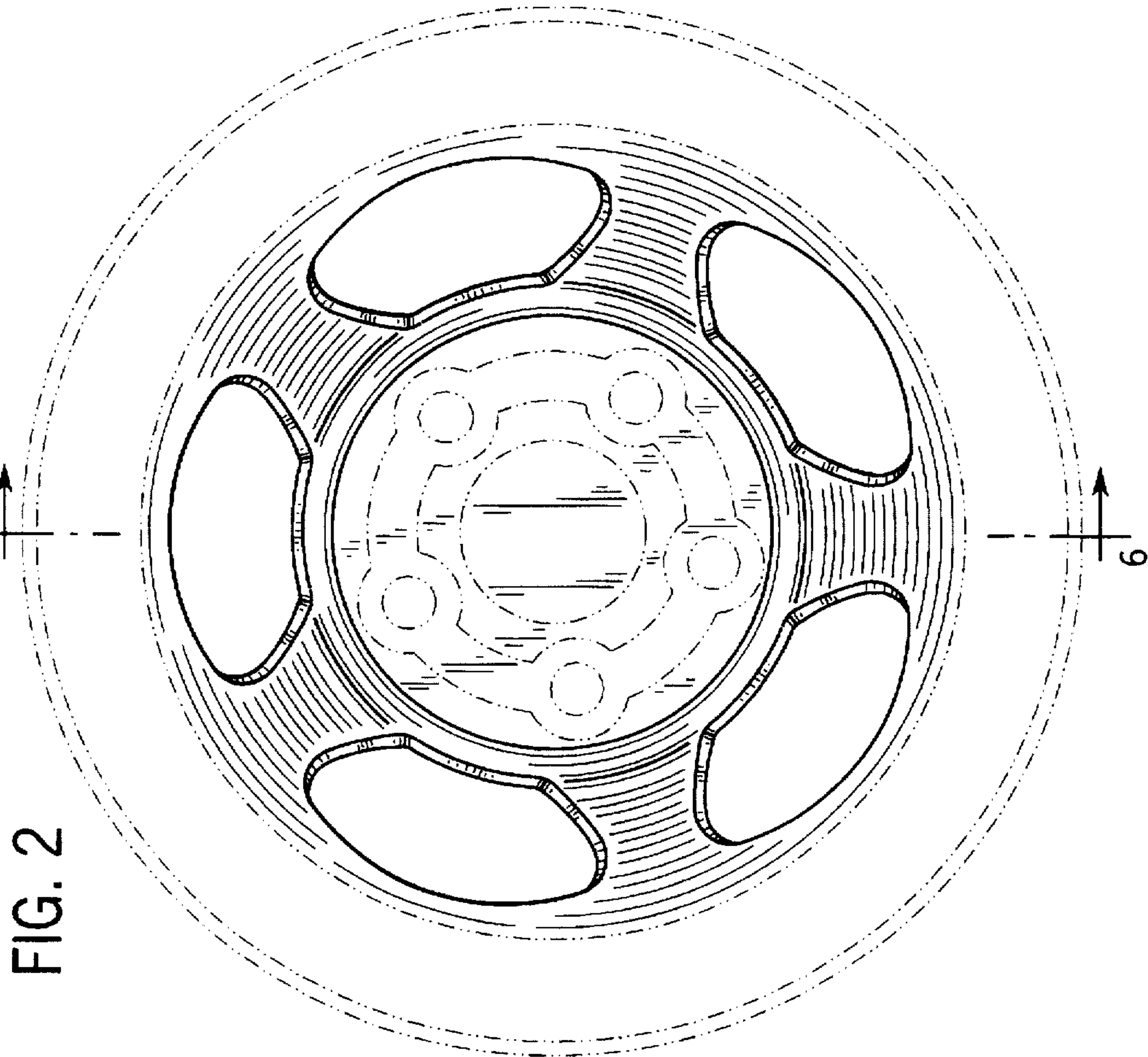


FIG. 2

FIG. 4

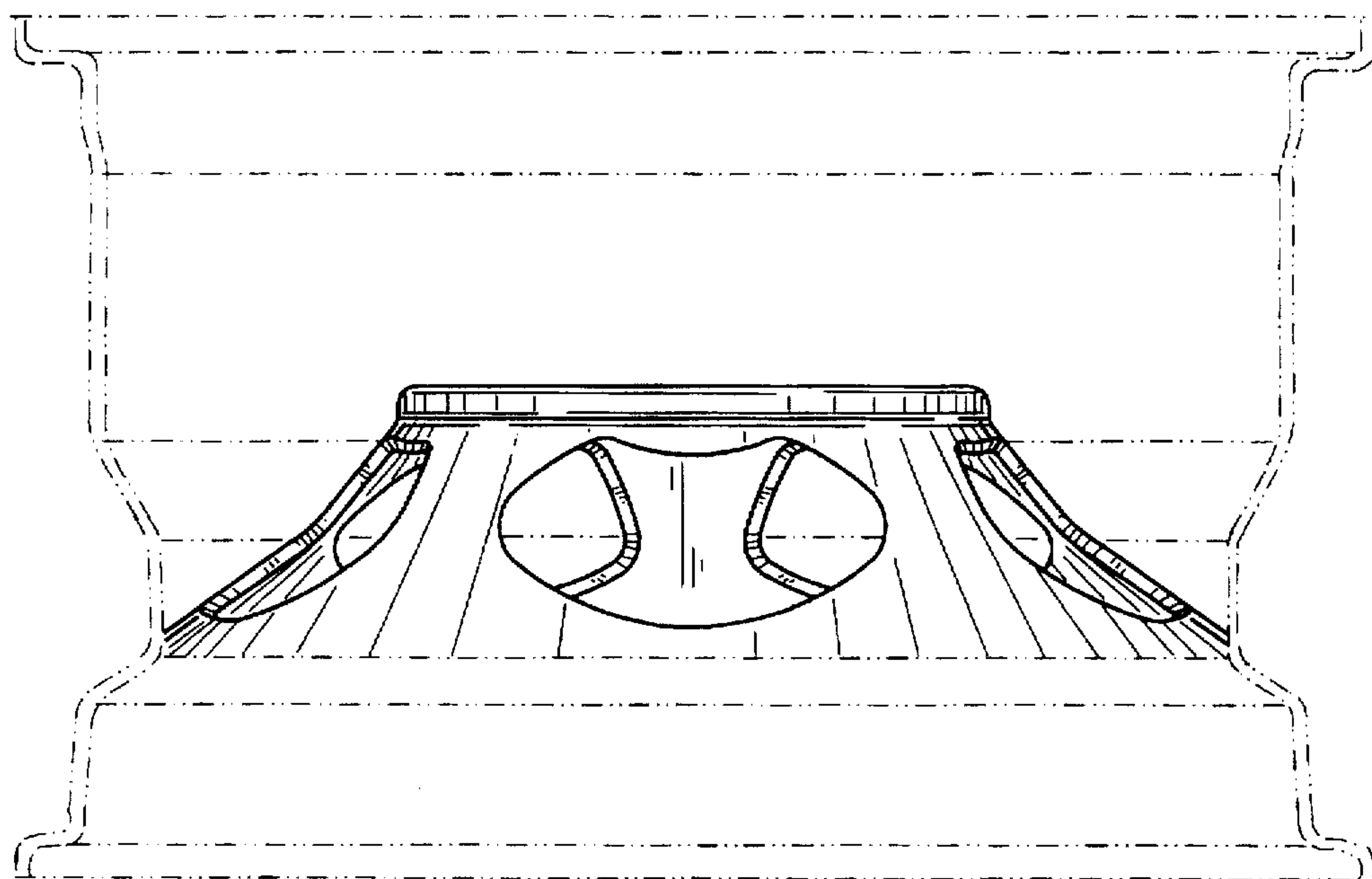


FIG. 5

