



US00D394835S

United States Patent [19]

Crute-Williams et al.

[11] Patent Number: **Des. 394,835**

[45] Date of Patent: ****Jun. 2, 1998**

[54] **AUTOMOTIVE FLOOR MAT**

[76] Inventors: **Jo-Anne Crute-Williams; Karl Williams**, both of 1669 Walker Ave., Apt. D, Union, N.J. 07083

[**] Term: **14 Years**

[21] Appl. No.: **54,253**

[22] Filed: **May 10, 1996**

[51] LOC (6) Cl. **12-16**

[52] U.S. Cl. **D12/203**

[58] Field of Search D6/582, 592; D12/203, D12/400; 15/215; 280/163, 164.1; 296/97.23

[56] **References Cited**

U.S. PATENT DOCUMENTS

- D. 196,571 10/1963 Hughes D12/400
- D. 278,525 4/1985 Morawski D12/203

OTHER PUBLICATIONS

- Floor Mat With High Pile Carpeting, Tire Magazine, May 1957, p. 71.
- Promotional Utility Square, Item No. 1408, Rubbermaid Specialty Products Catalog, (c) 1978, p. 7, Dec. 1978.

Personalized Carpet Mats for Cars & Trucks, J.C. Whitney Catalog #575-C, p. 22, Feb. 1995.
Custom Fit Carpets Mats, J.C. Whitney Catalog #578-J, p. 21, Aug. 1995.

Primary Examiner—James Gandy
Assistant Examiner—Robert M. Spear
Attorney, Agent, or Firm—Harold H. Dutton, Jr.

[57] **CLAIM**

The ornamental design for an automotive floor mat, as shown and described.

DESCRIPTION

FIG. 1 is an exploded perspective view of an automotive floor mat with hook and loop fastener detached showing our new design;

FIG. 2 is a top view thereof;

FIG. 3 is a bottom view of the floor mat of FIG. 2, with the hook and loop fastener attached;

FIG. 4 is a right side view of the floor mat of FIG. 2;

FIG. 5 is a left side view thereof with hook and loop fastener detached therefrom;

FIG. 6 is a front view of the floor mat of FIG. 2; and,

FIG. 7 is a rear view of the floor mat of FIG. 2.

1 Claim, 4 Drawing Sheets

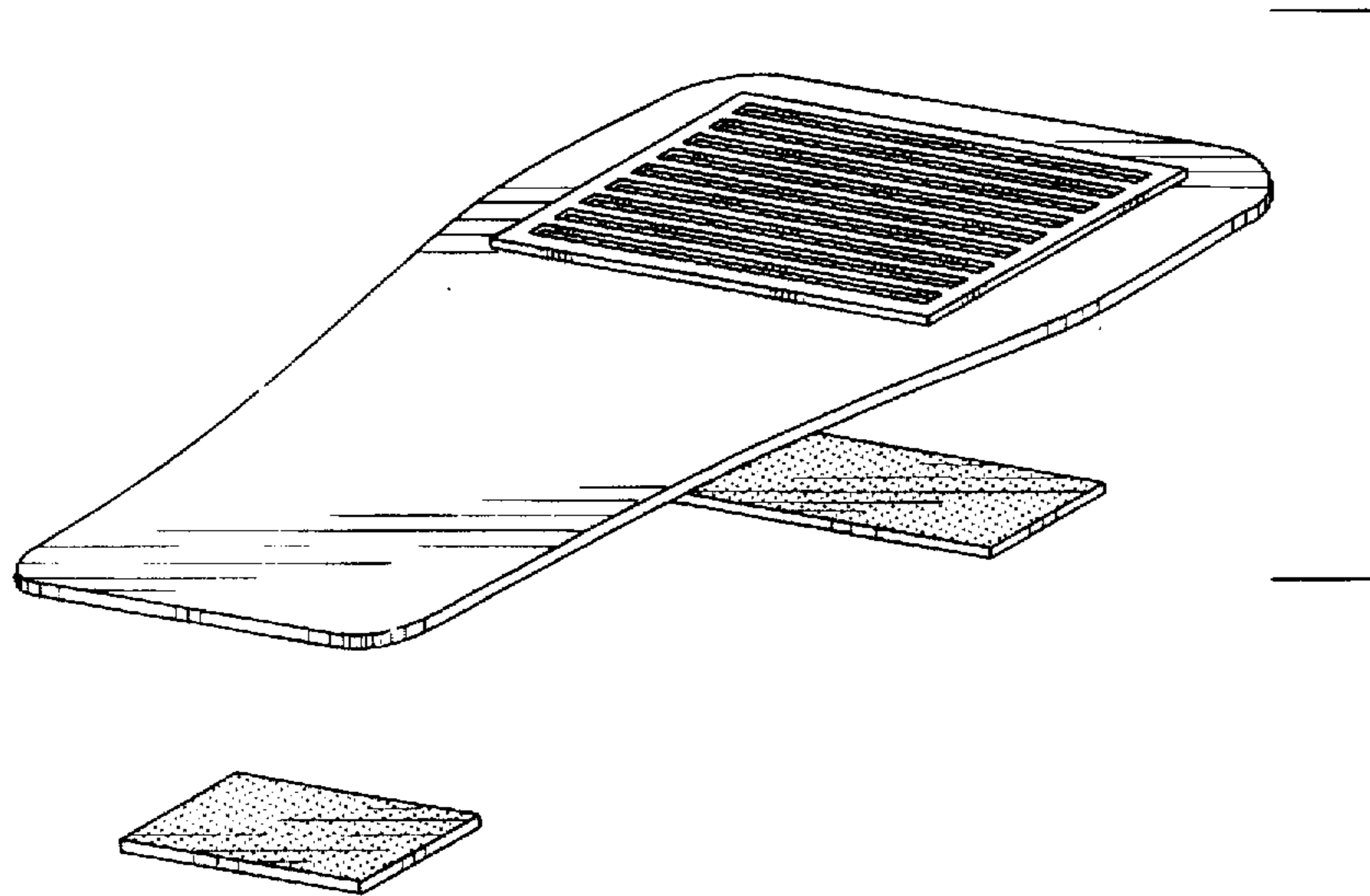
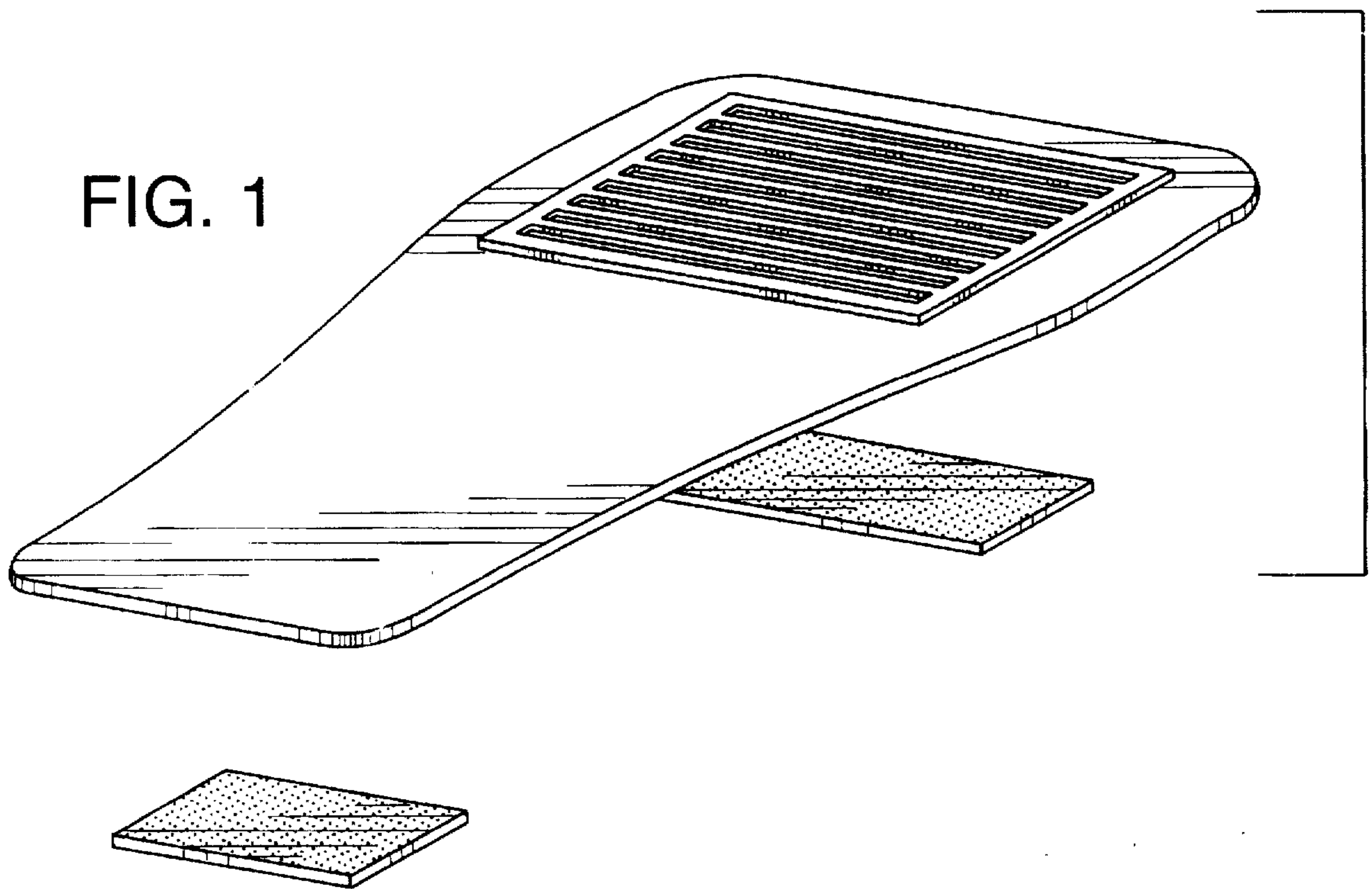


FIG. 1



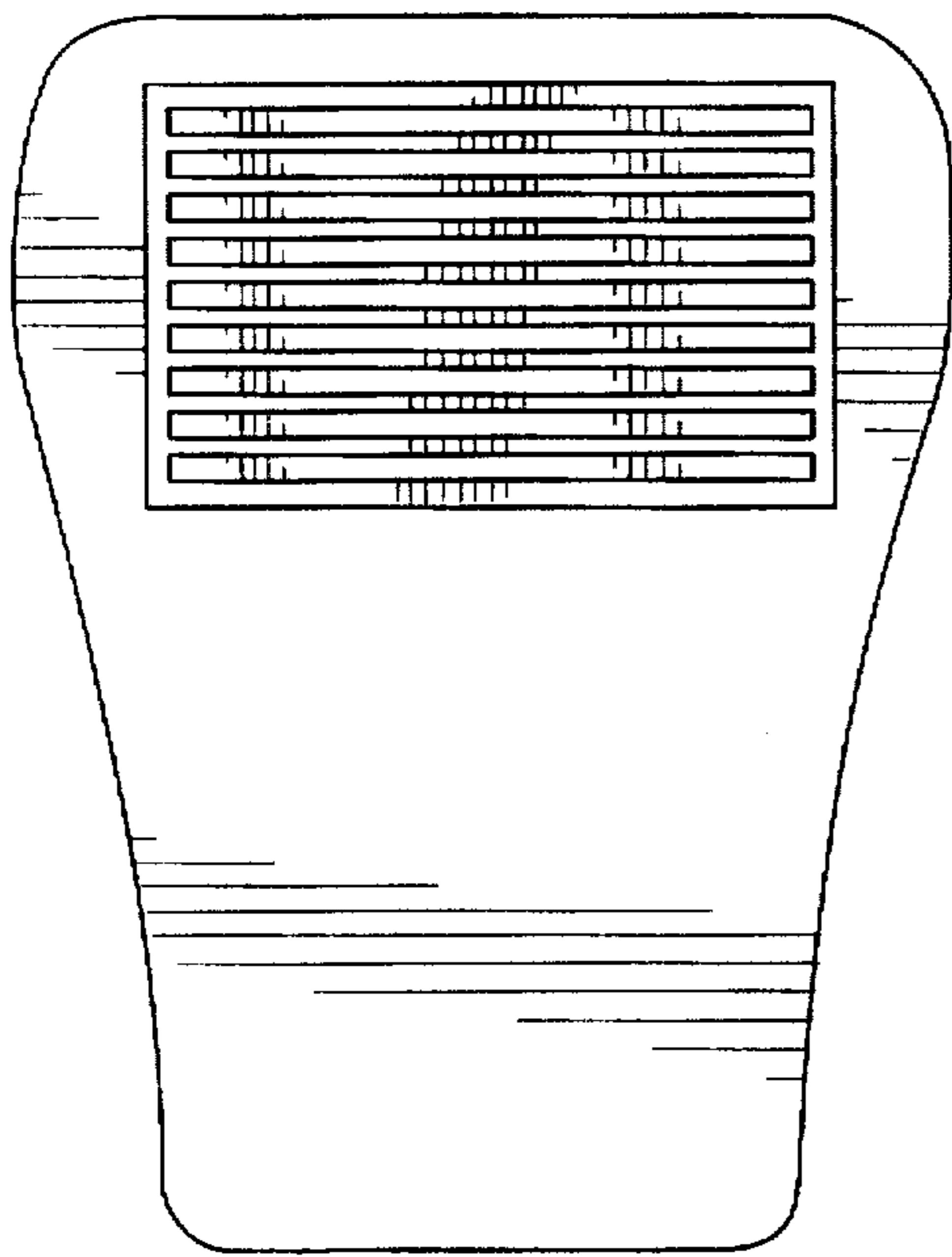
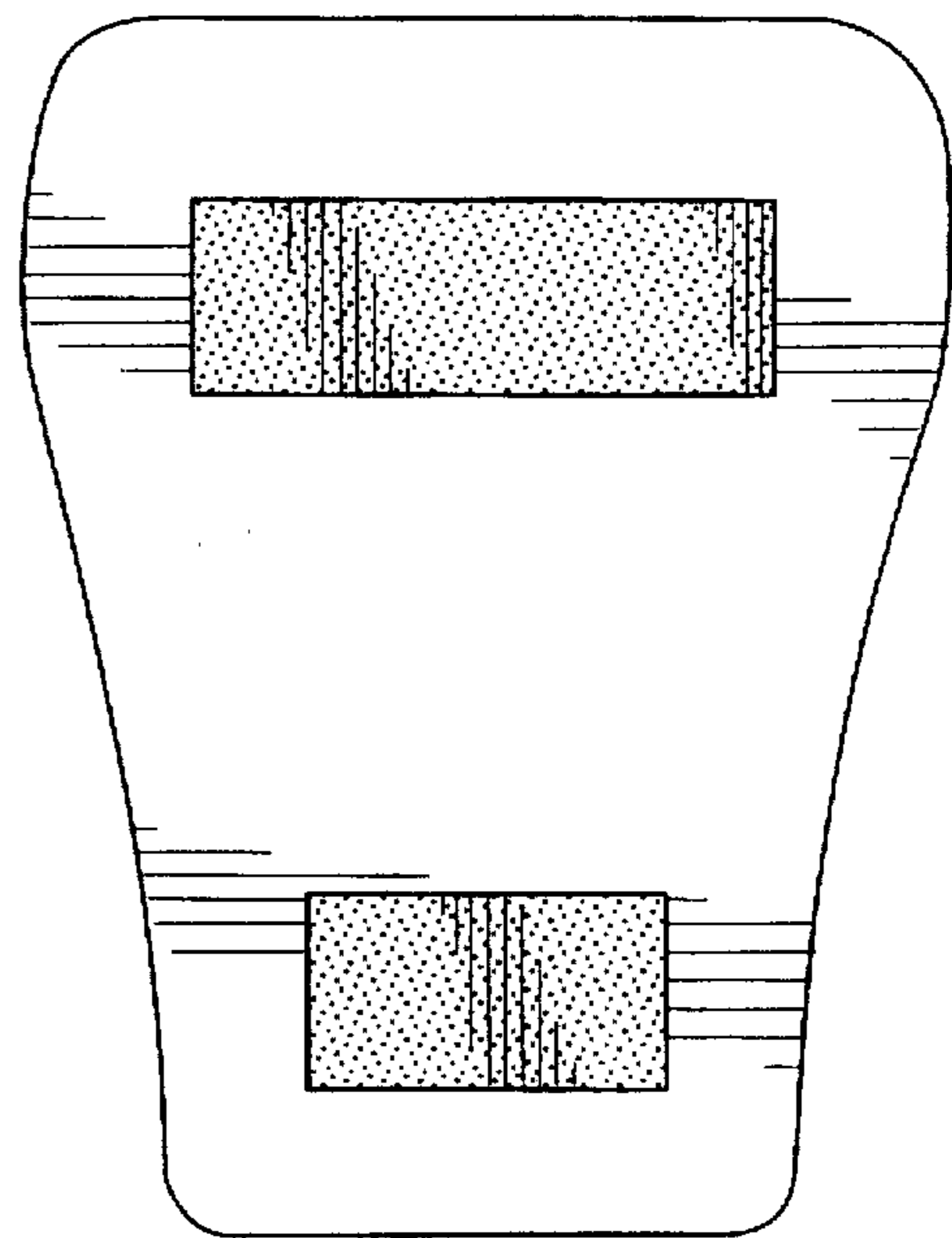


FIG. 2

FIG. 3



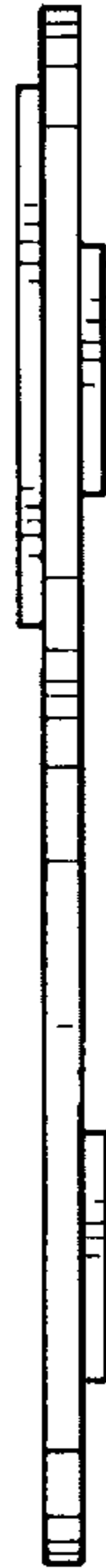


FIG. 4

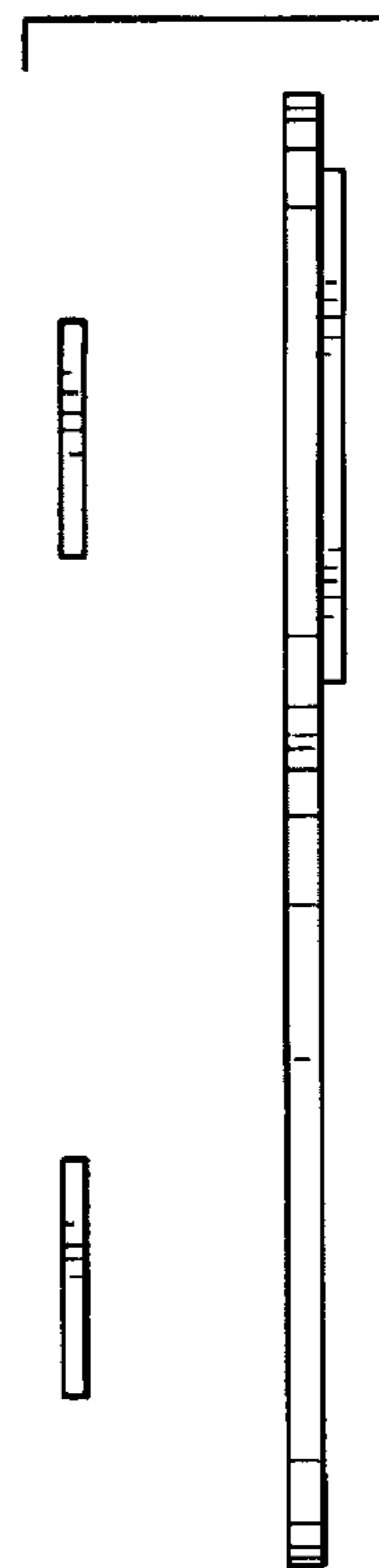


FIG. 5

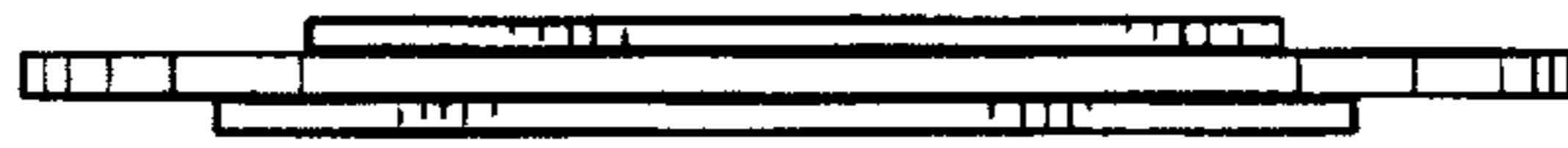


FIG. 6



FIG. 7