



US00D394831S

# United States Patent [19]

[11] Patent Number: **Des. 394,831**

Polak et al.

[45] Date of Patent: **\*\*Jun. 2, 1998**

[54] **TANDEM STROLLER**

4,834,415 5/1989 Yee ..... 280/644  
5,261,690 11/1993 Kluber ..... 280/648

[76] Inventors: **John C. Polak; Antoinette M. Polak; M. Darlene Polak; M. Antoinette Polak**, all of 6748 Del Cerro Blvd., San Diego, Calif. 92120

*Primary Examiner*—Kay H. Chin  
*Attorney, Agent, or Firm*—Brown, Martin, Haller & McClain

[\*\*] Term: **14 Years**

[57] **CLAIM**

[21] Appl. No.: **61,076**

The ornamental design for a tandem stroller, as shown, and described.

[22] Filed: **Oct. 19, 1996**

**DESCRIPTION**

[51] **LOC (6) Cl.** ..... **12-12**

FIG. 1 is a left rear perspective view of a tandem stroller, showing our new design;

[52] **U.S. Cl.** ..... **D12/129**

FIG. 2 is a right side elevational view thereof, with one top cover portion opened;

[58] **Field of Search** ..... D12/128, 129; D21/78, 76, 74, 136, 137; 280/648, 647, 642, 643, 650, 30, 42, 47.35, 79.3; 296/27

FIG. 3 is a front view thereof;

FIG. 4 is a rear view thereof;

[56] **References Cited**

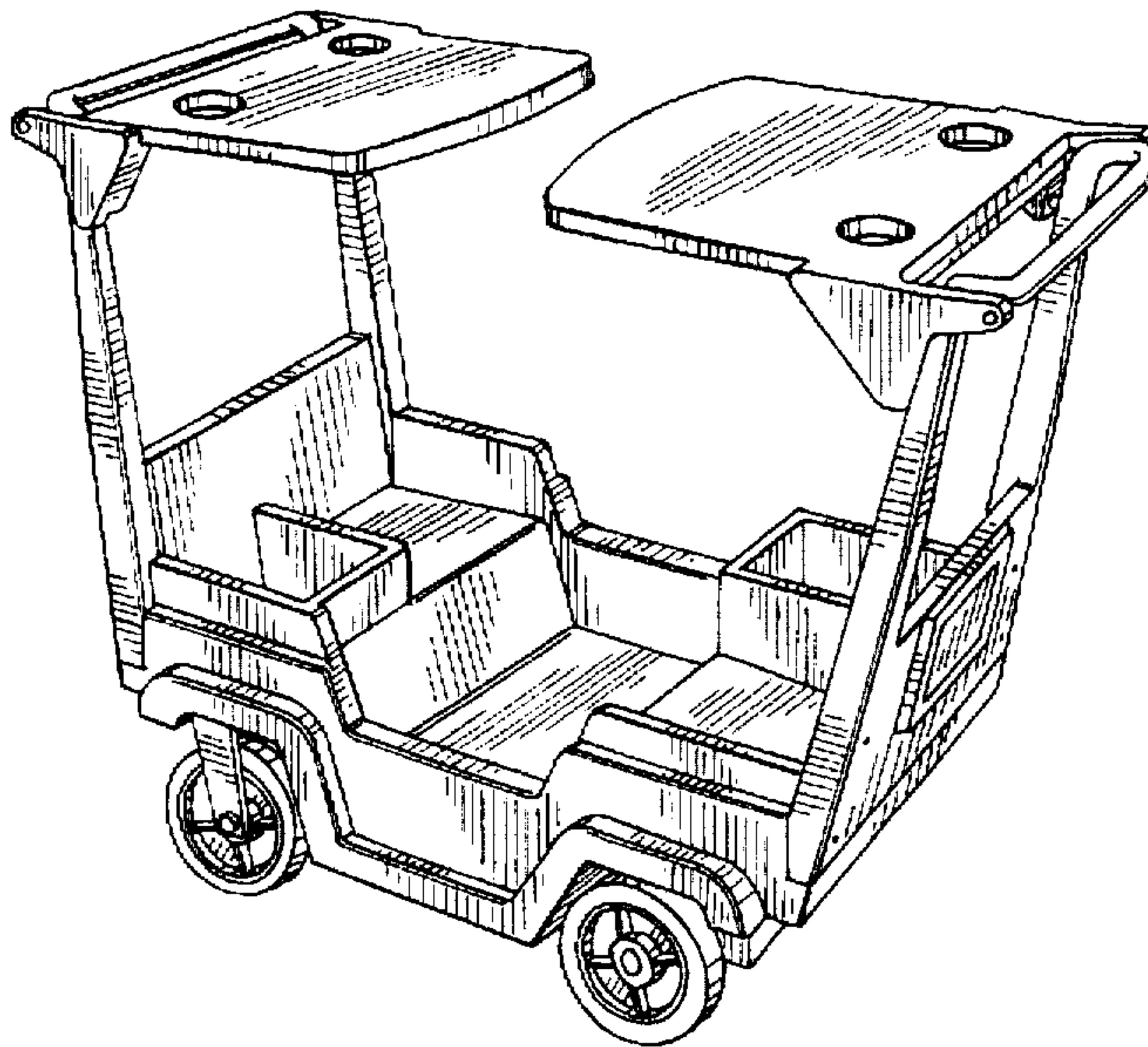
FIG. 5 is a top plan view of the configuration shown in FIG. 2; and

FIG. 6 is a bottom plan view thereof.

**U.S. PATENT DOCUMENTS**

D. 364,132 11/1995 Bodon et al. .... D12/129  
D. 365,312 12/1995 Mosekich et al. .... D12/129  
4,089,543 5/1978 Osborne ..... 280/647

**1 Claim, 2 Drawing Sheets**



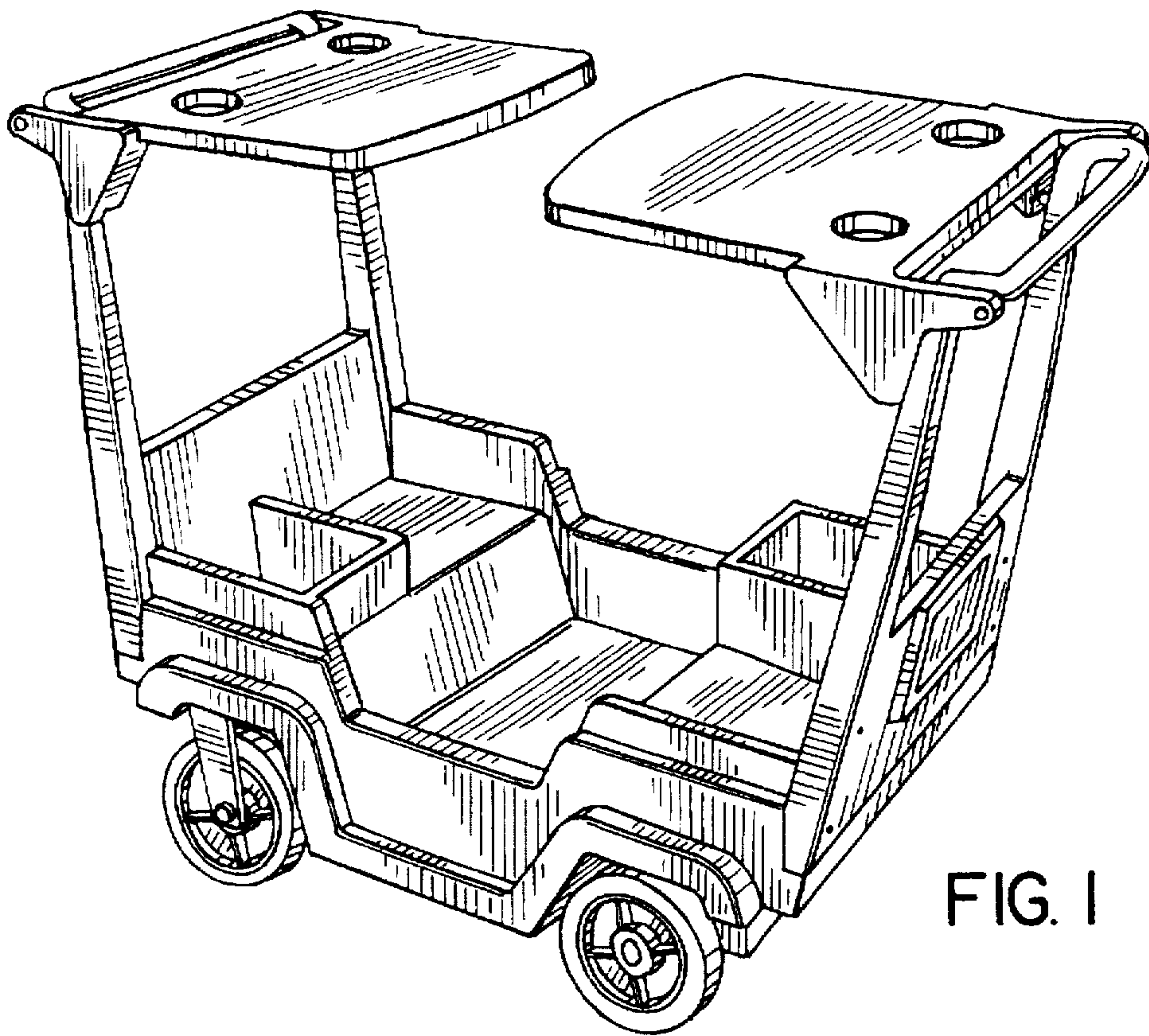


FIG. 1

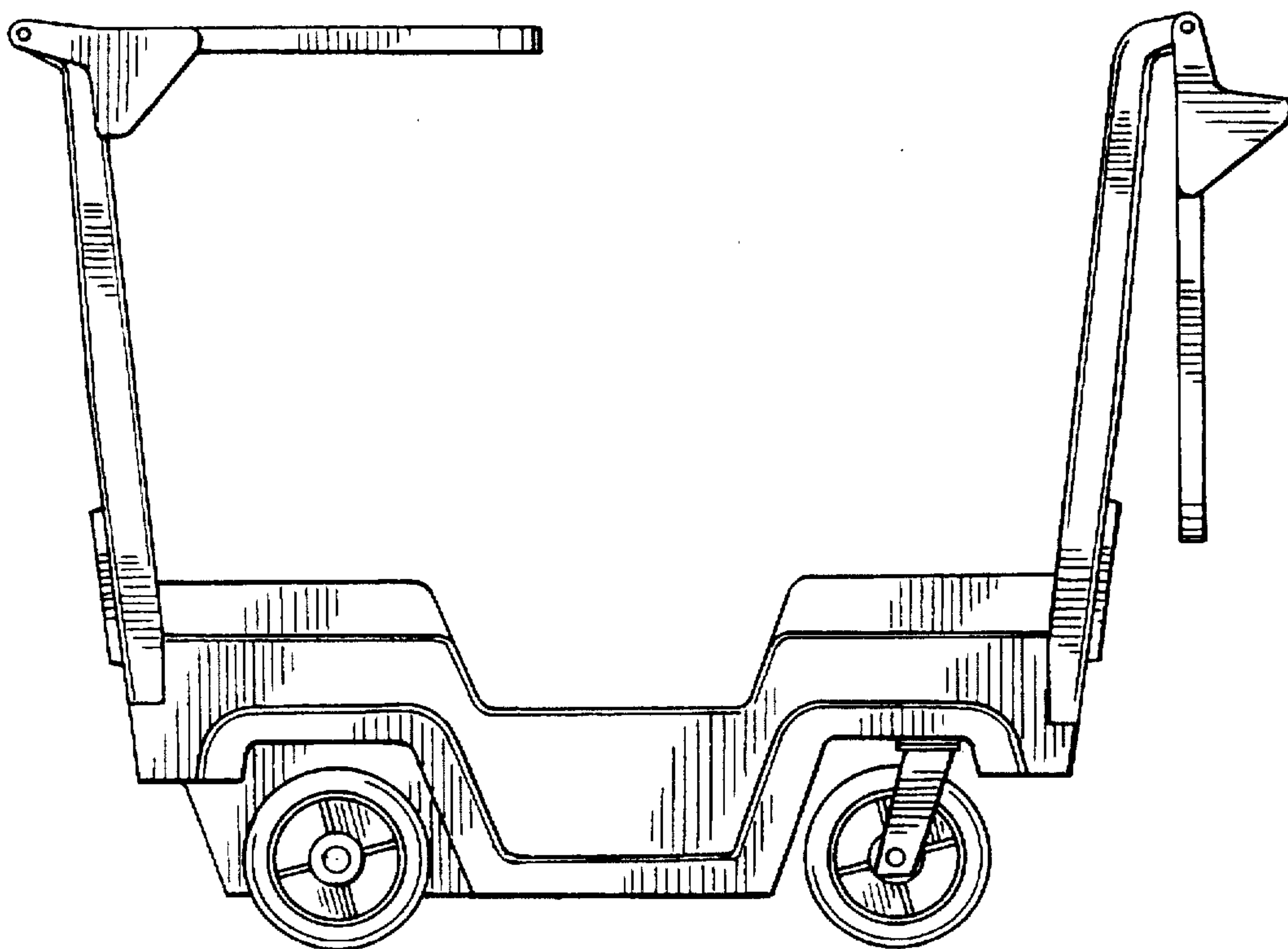


FIG. 2

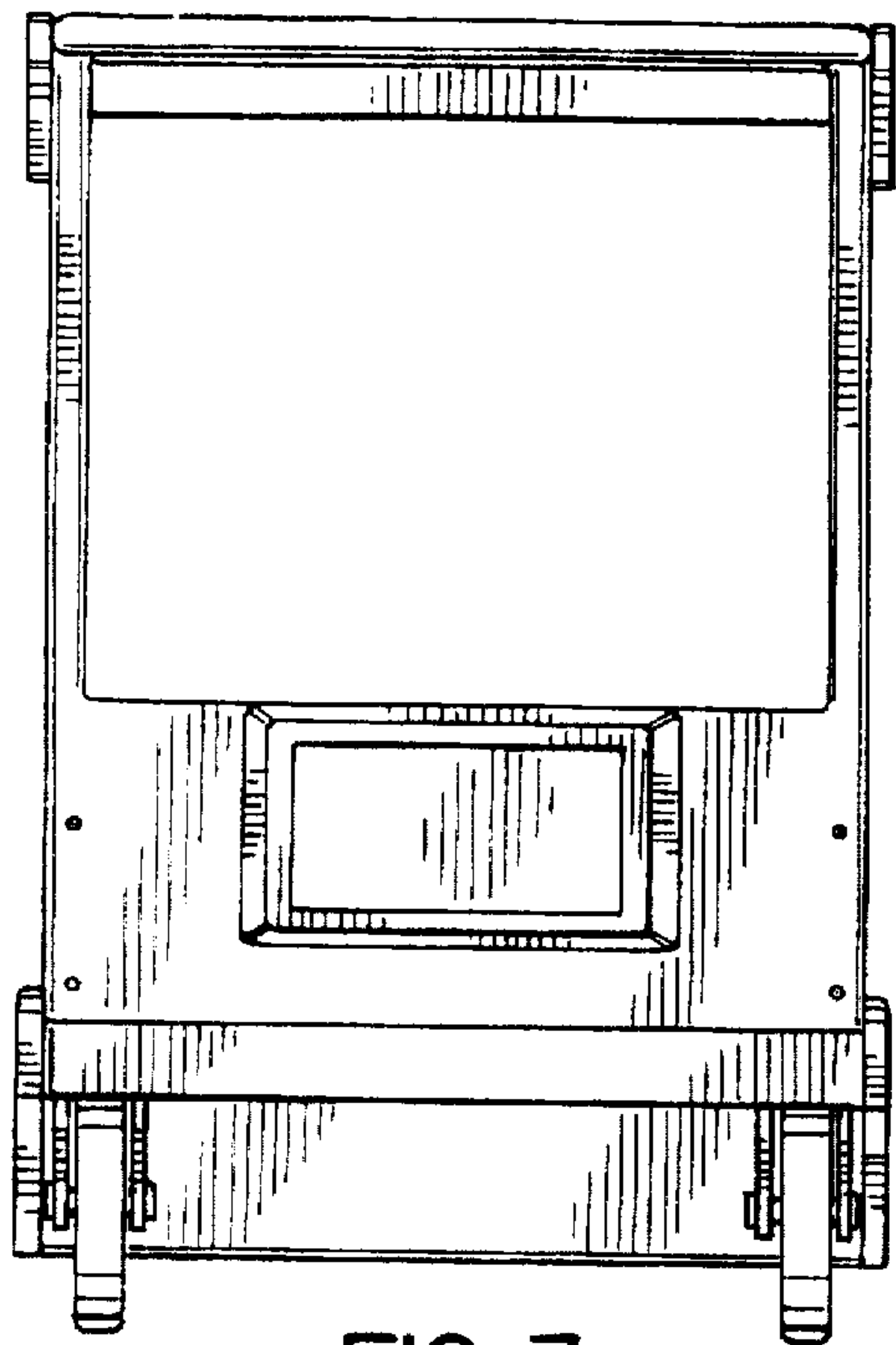


FIG. 3

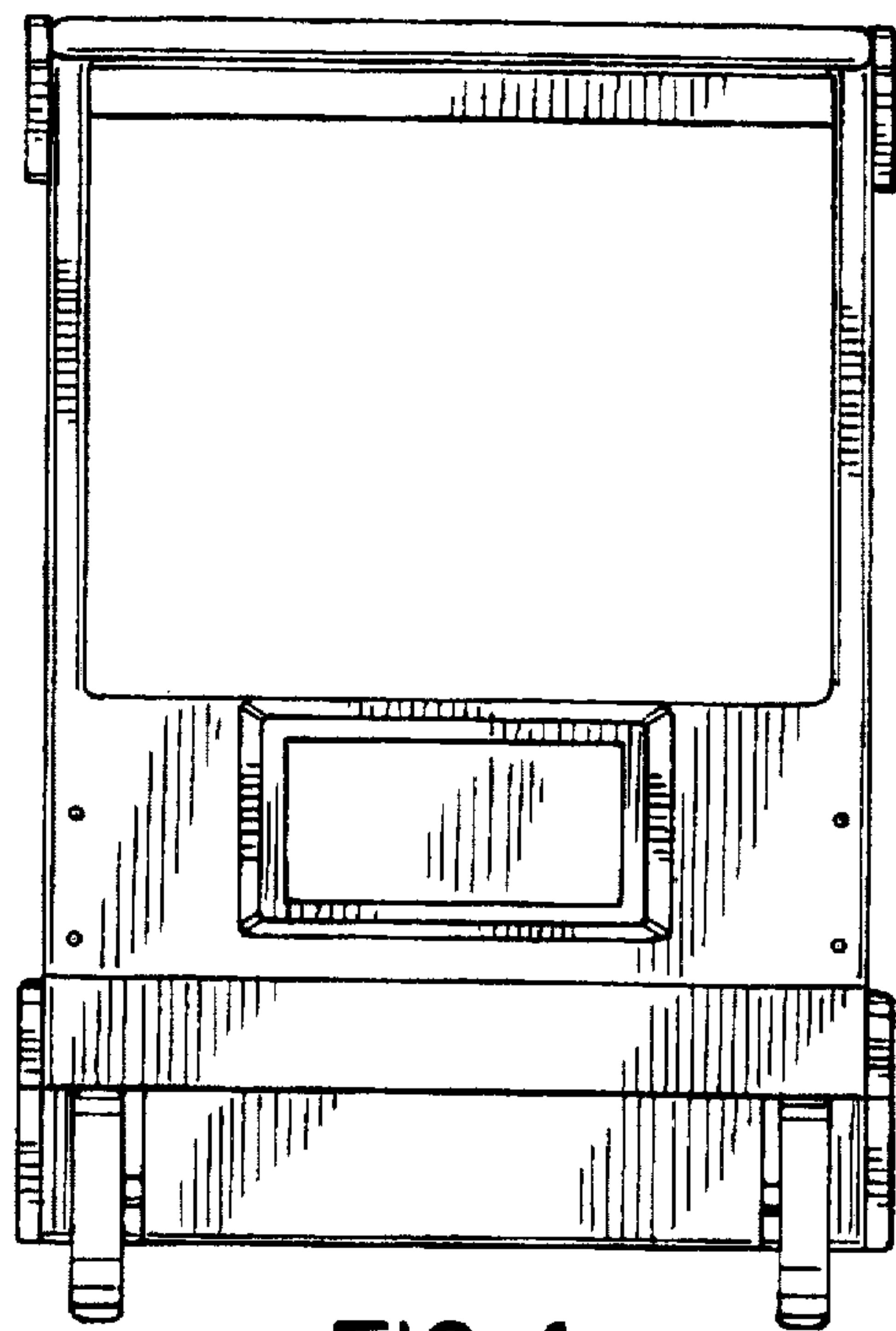


FIG. 4

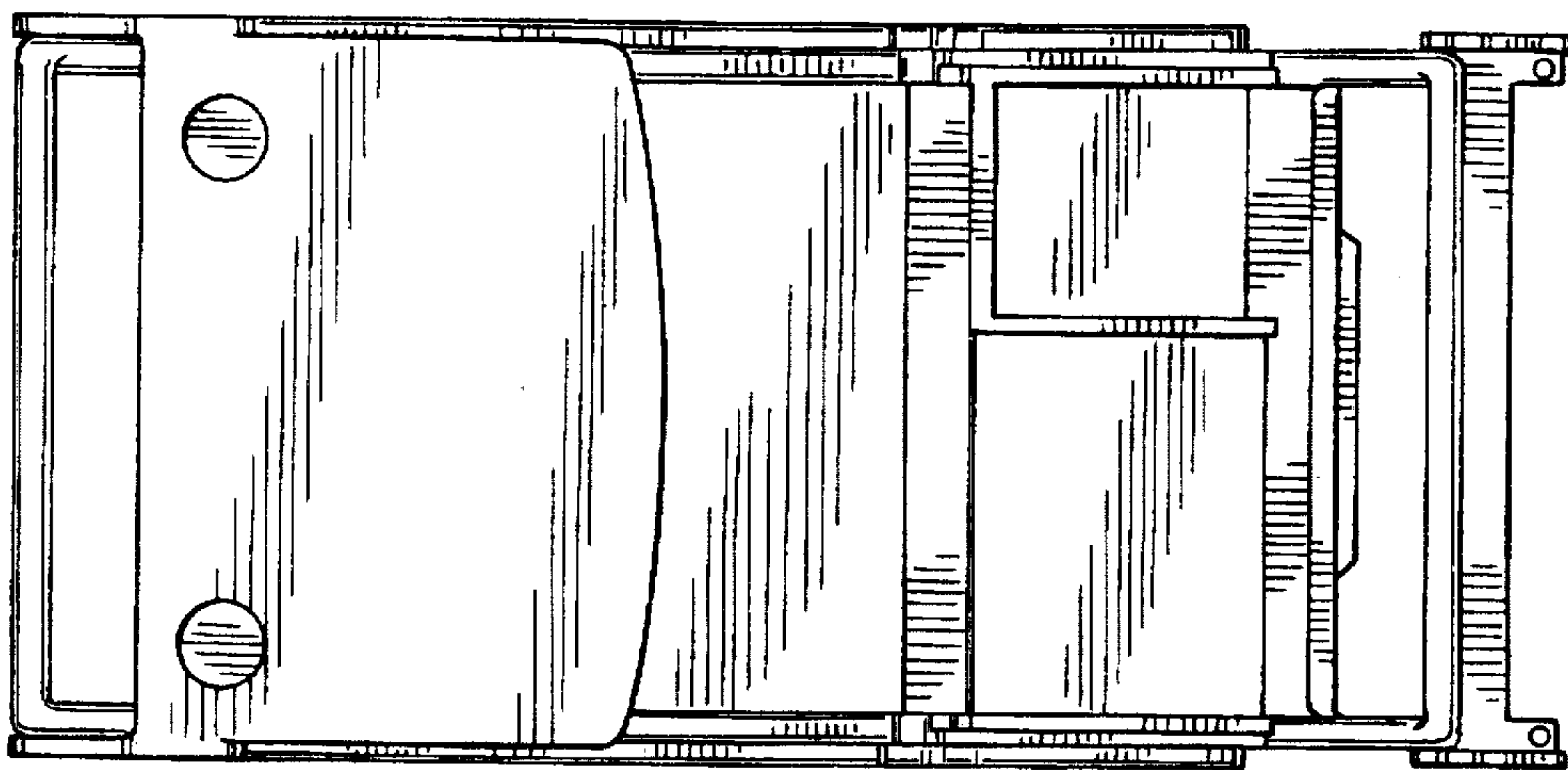


FIG. 5

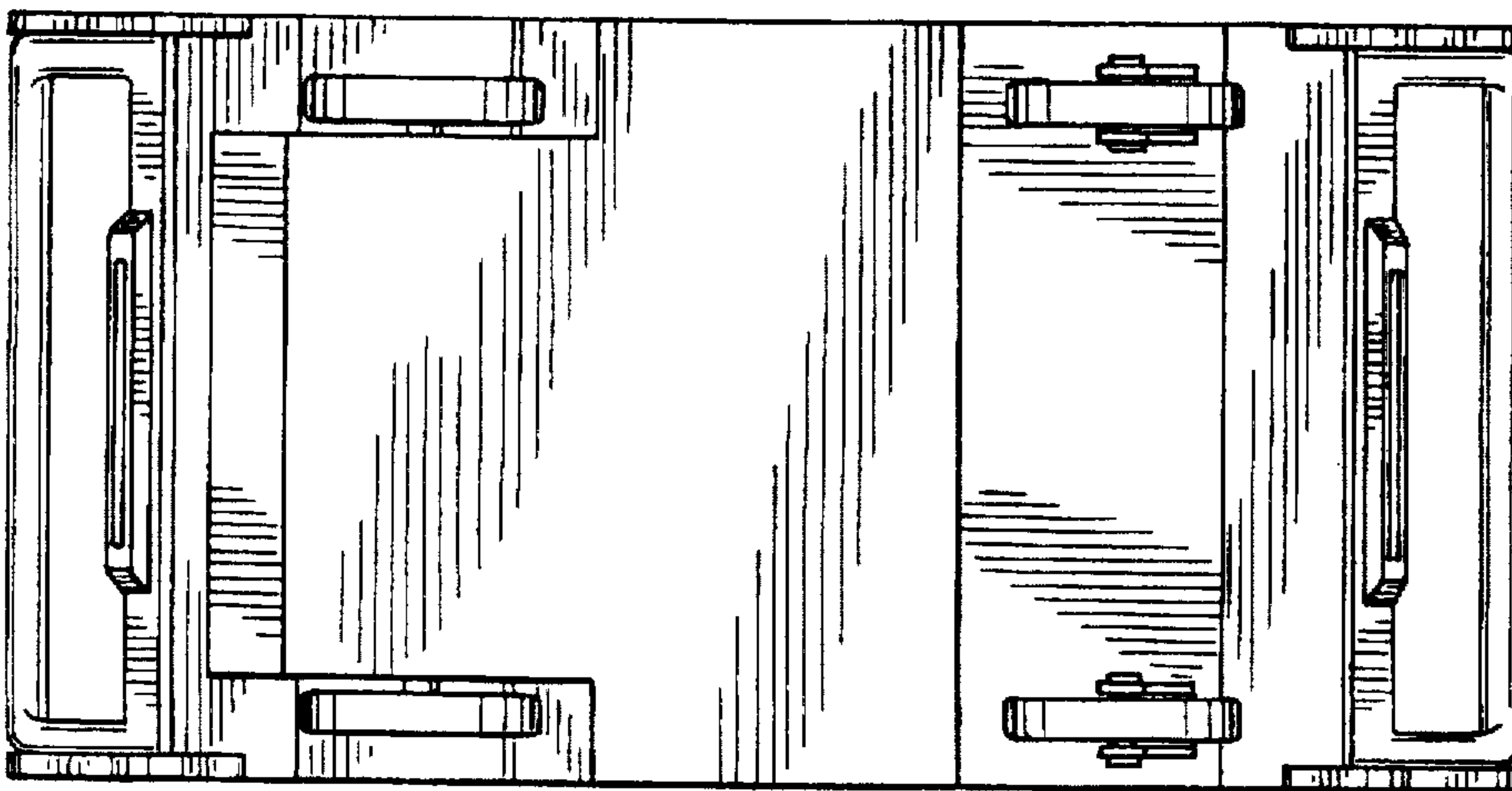


FIG. 6