



US00D394827S

**United States Patent** [19]  
**Ruthenberg**

[11] **Patent Number: Des. 394,827**  
[45] **Date of Patent: \*\*Jun. 2, 1998**

[54] **WATERFALL PLANTER**

[76] **Inventor: Douglas Ruthenberg, 10453 Tillery Rd., Spring Hill, Fla. 34608**

[\*\*] **Term: 14 Years**

[21] **Appl. No.: 71,557**

[22] **Filed: Jun. 2, 1997**

[51] **LOC (6) Cl. .... 11-02**

[52] **U.S. Cl. .... D11/155**

[58] **Field of Search .... D11/143, 144, D11/155, 156; D6/403; 47/65.5, 65.7, 68, 39, 40, 41.01; 206/423**

[56] **References Cited**

**U.S. PATENT DOCUMENTS**

D. 340,204 10/1993 Grosfillex ..... D11/155

**OTHER PUBLICATIONS**

Contico Lawn & Garden brochure; p. 6; rolled rim pot and window box planters. Aug. 15, 1995.

*Primary Examiner*—Caron D. Veynar  
*Attorney, Agent, or Firm*—Joseph C. Mason, Jr.

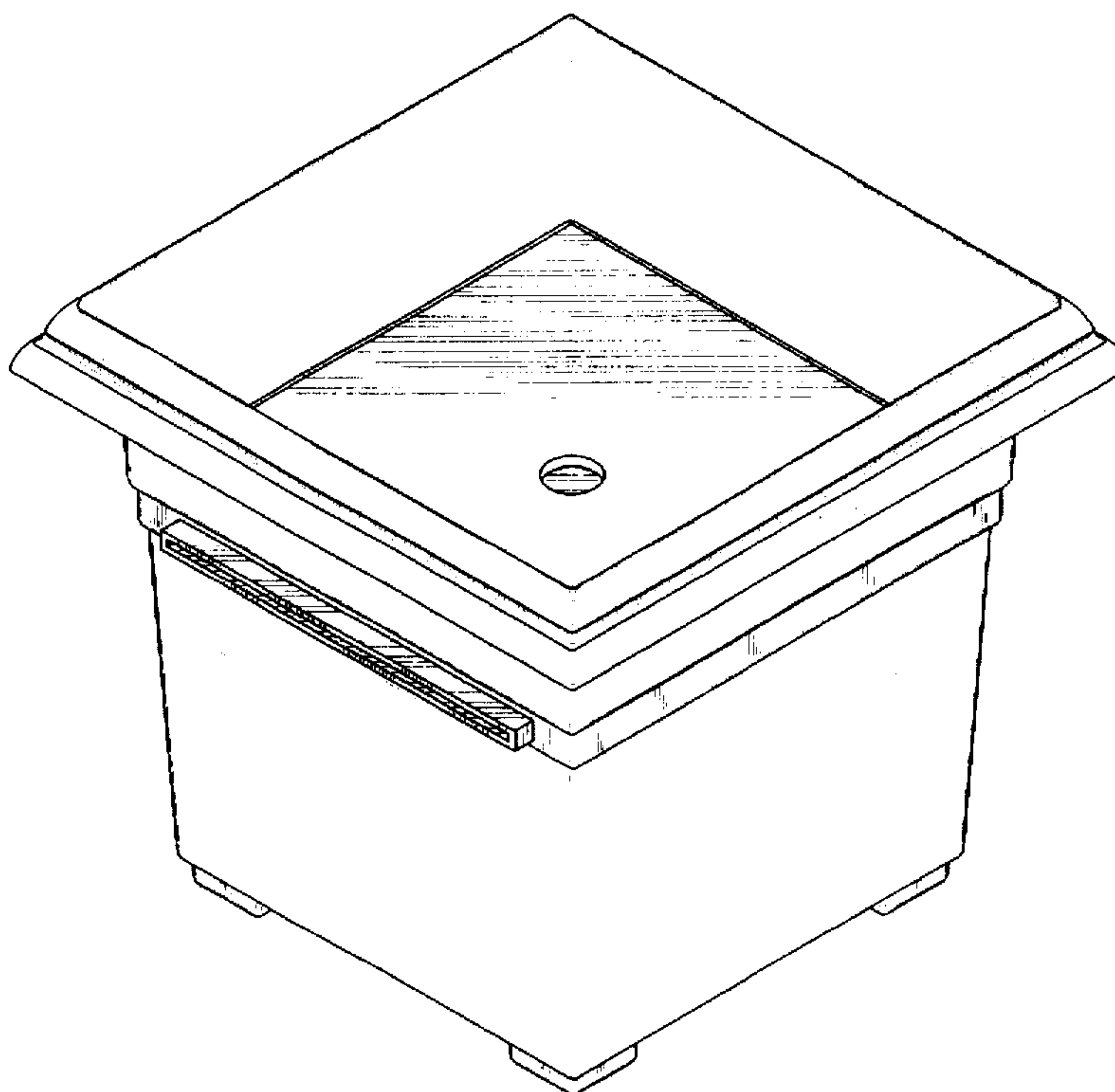
[57] **CLAIM**

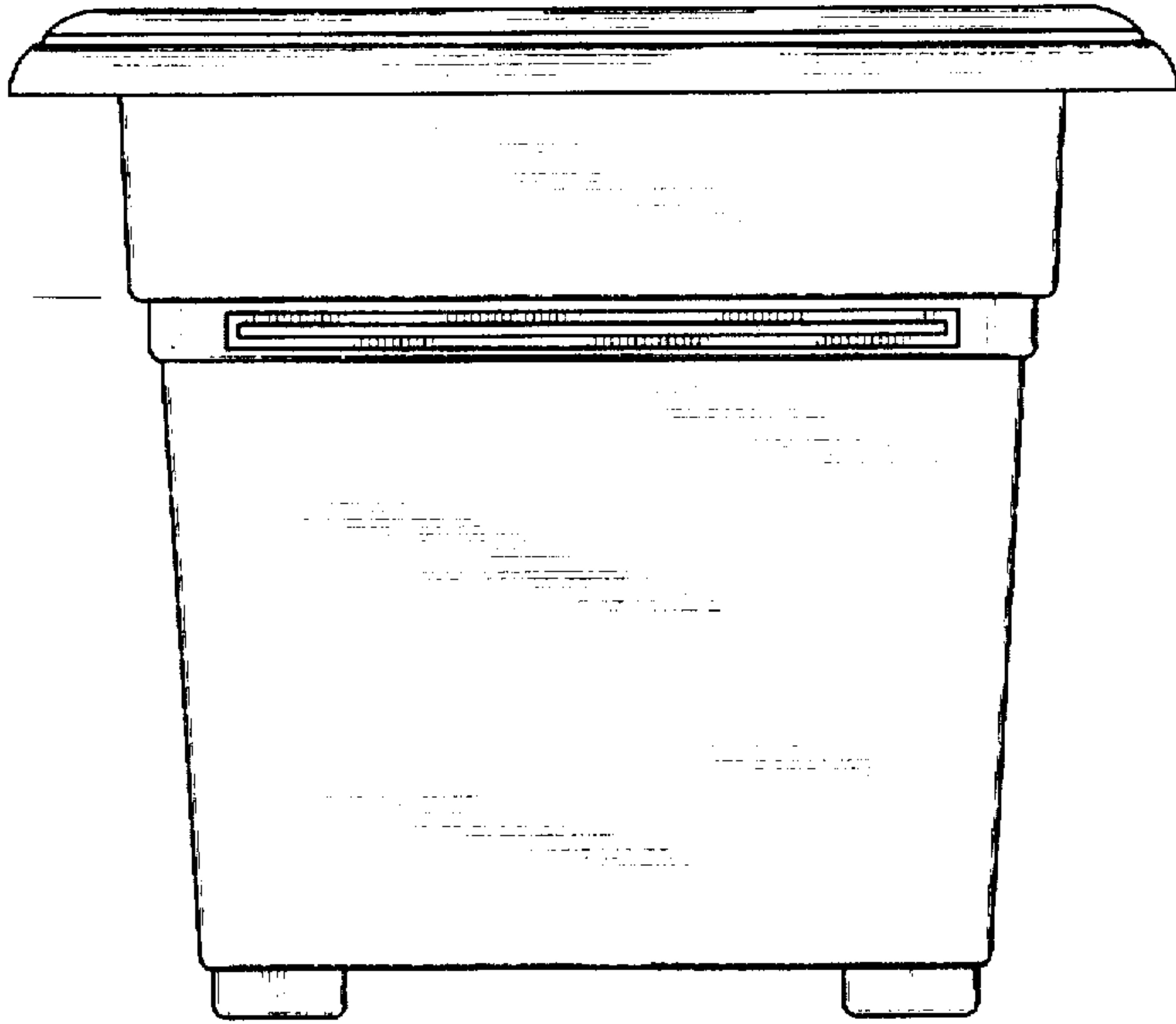
The ornamental design for waterfall planter, as shown.

**DESCRIPTION**

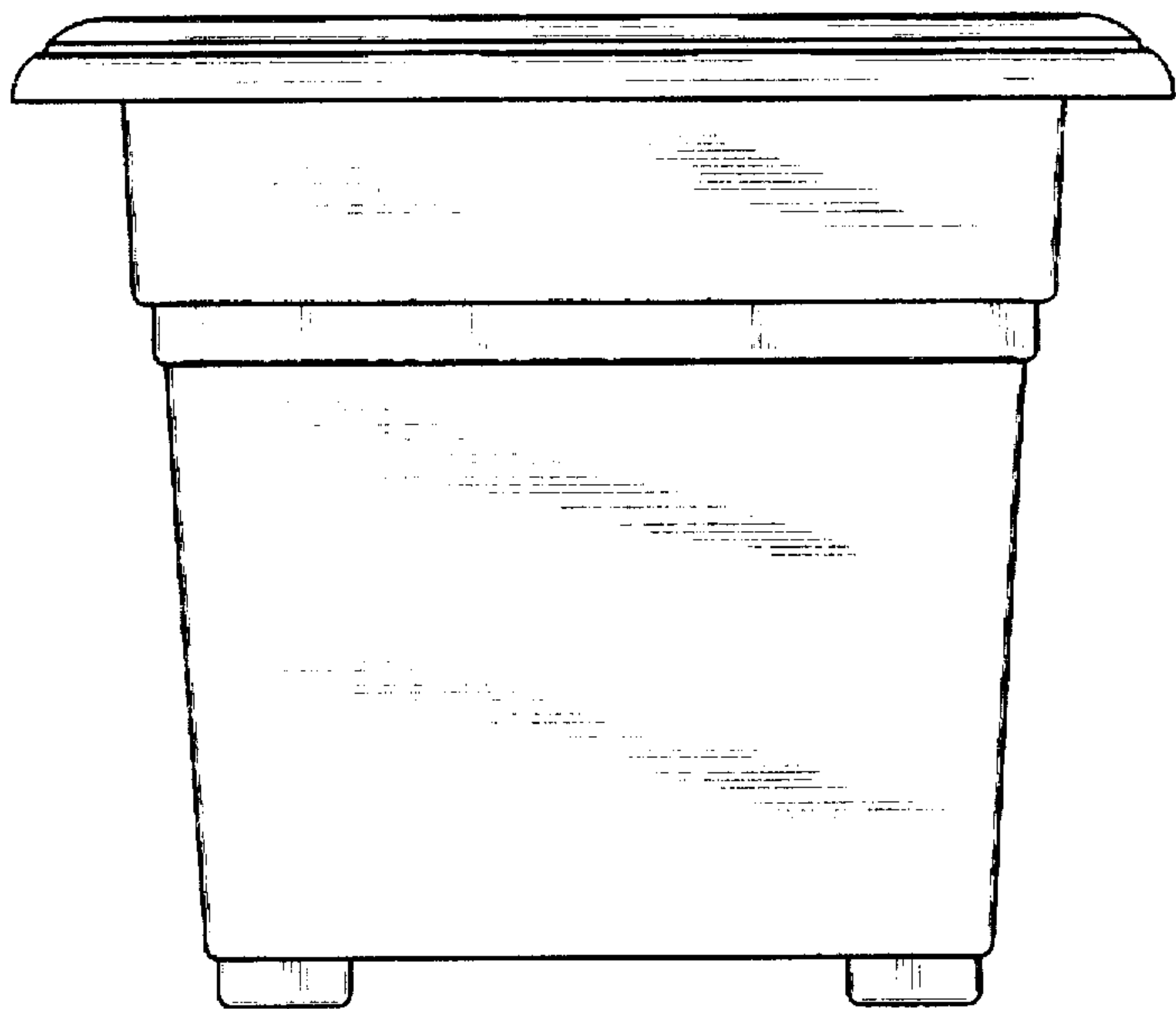
FIG. 1 is a front elevational view of my design;  
FIG. 2 is a rear elevational view thereof;  
FIG. 3 is a right side elevational view thereof;  
FIG. 4 is a left side elevational view thereof;  
FIG. 5 is a top plan view thereof;  
FIG. 6 is a bottom plan view thereof; and,  
FIG. 7 is a perspective view thereof.

**1 Claim, 4 Drawing Sheets**





*FIG. 1*



*FIG. 2*

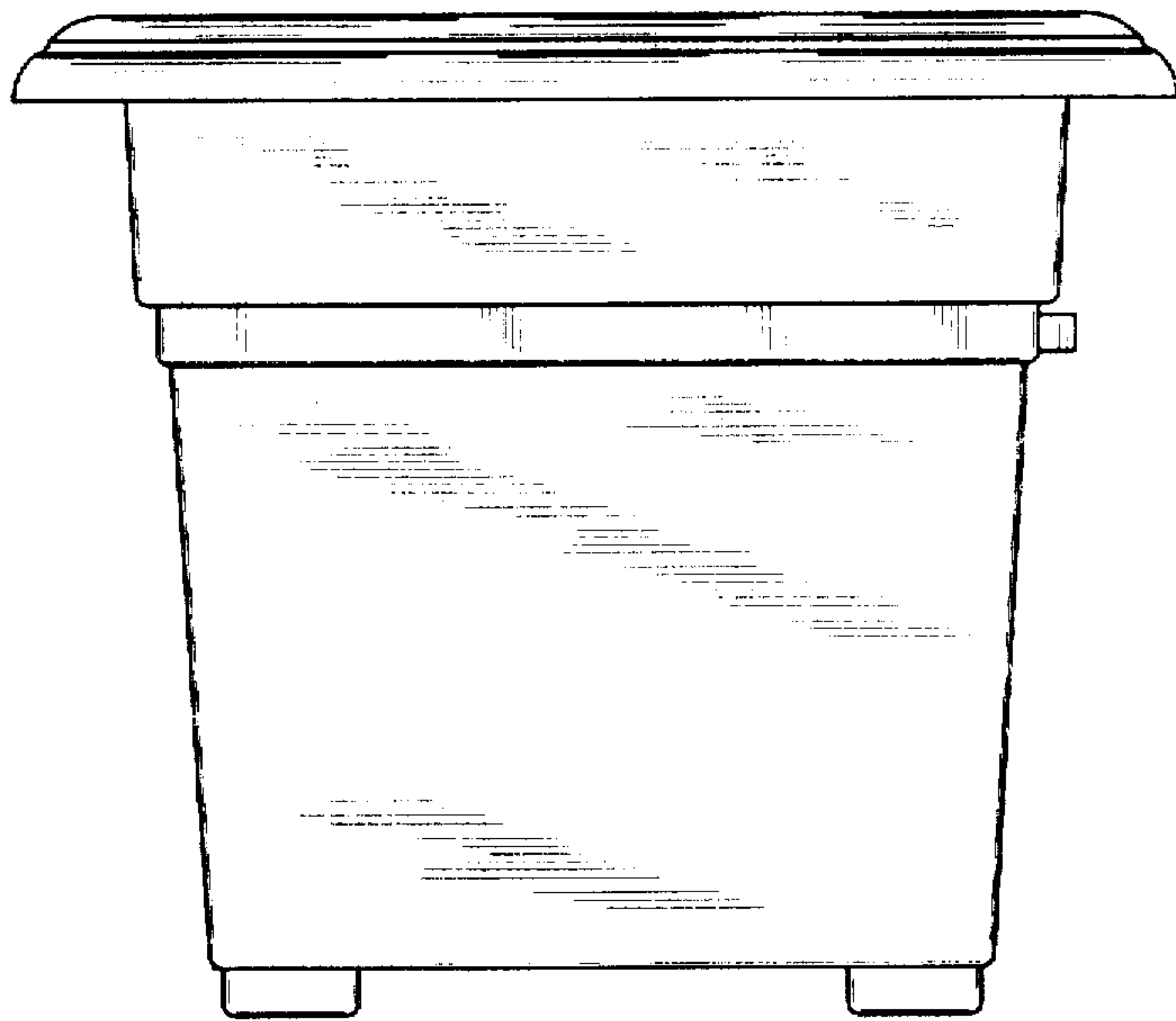


FIG. 3

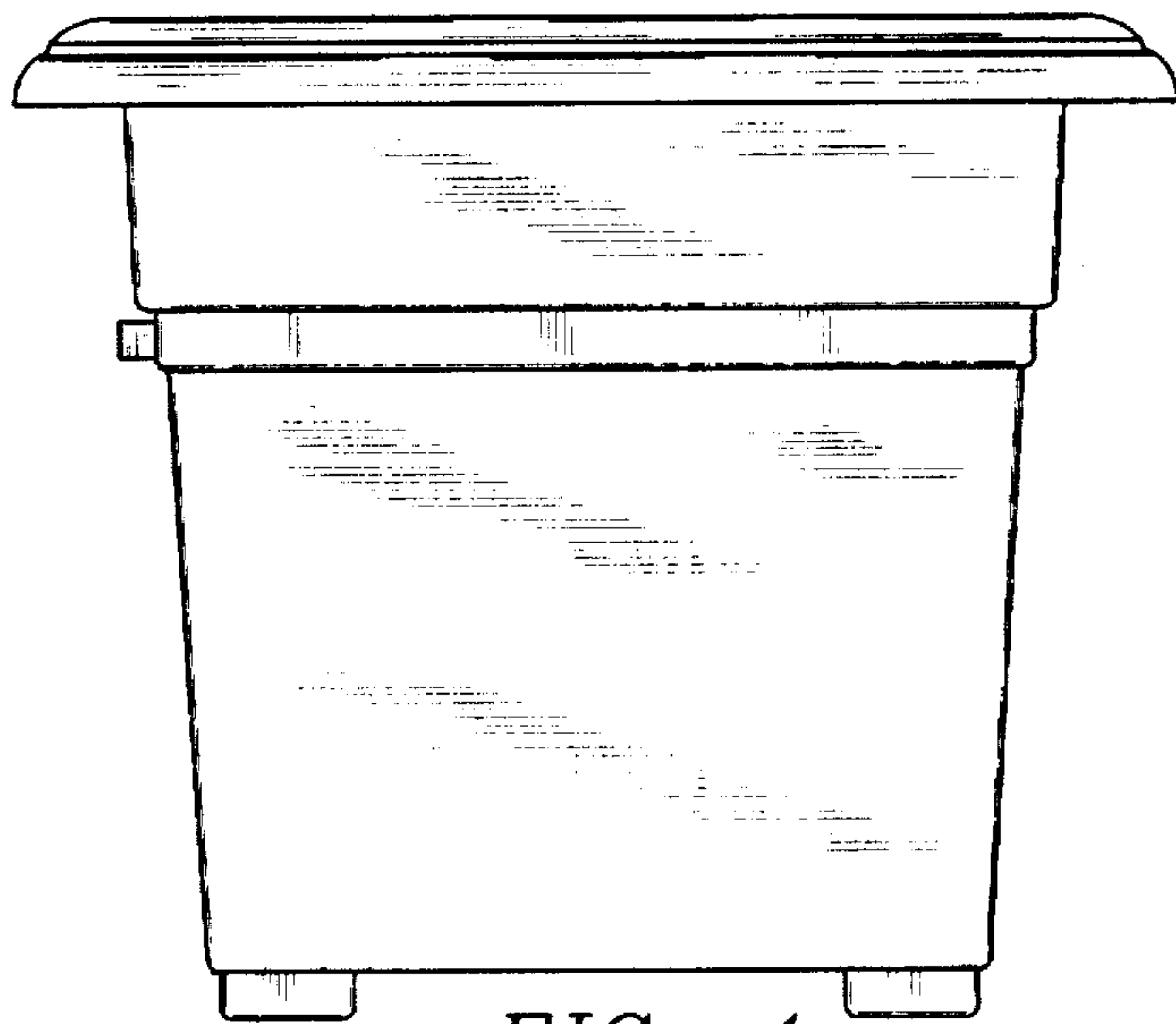


FIG. 4

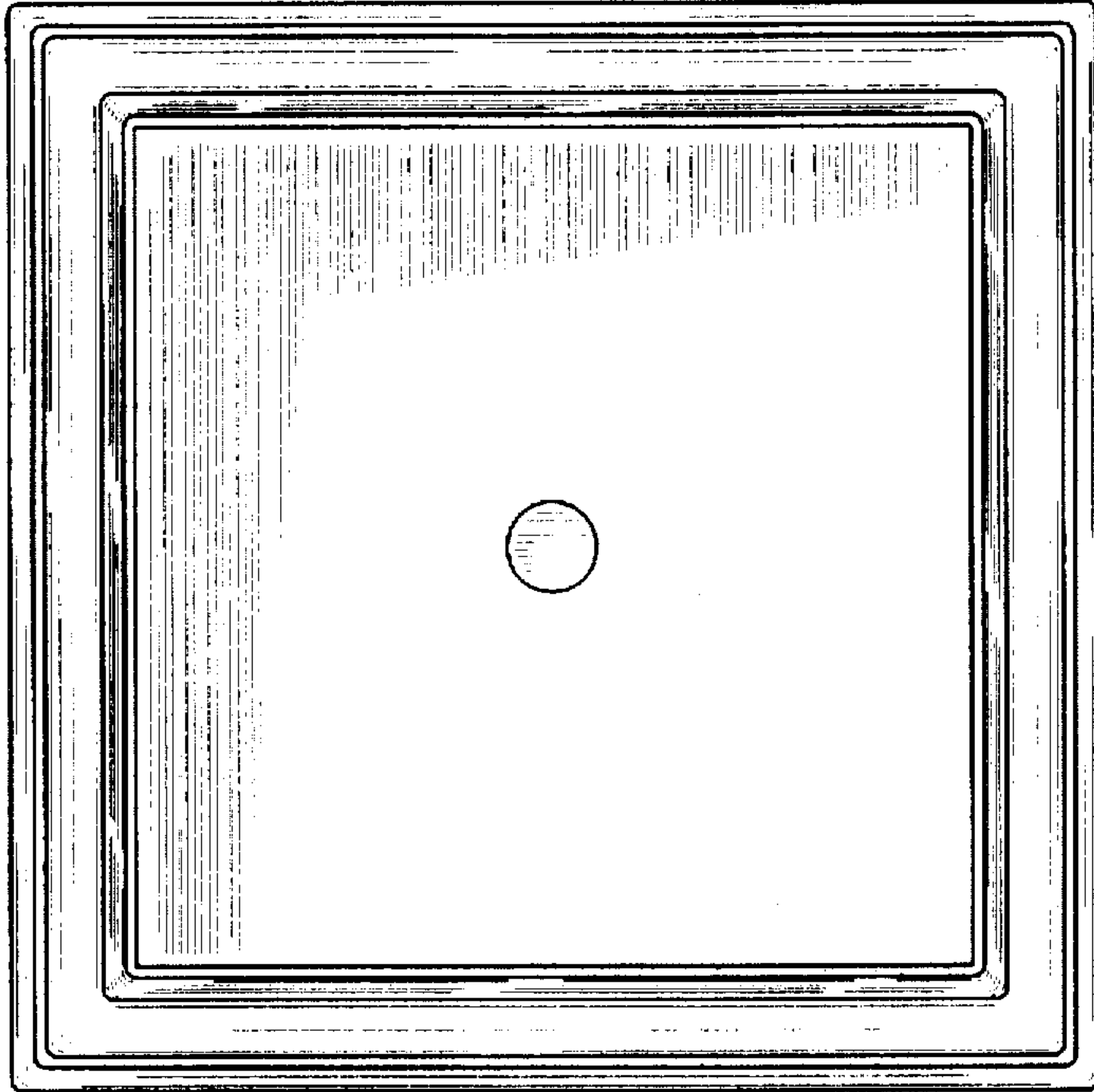


FIG. 5

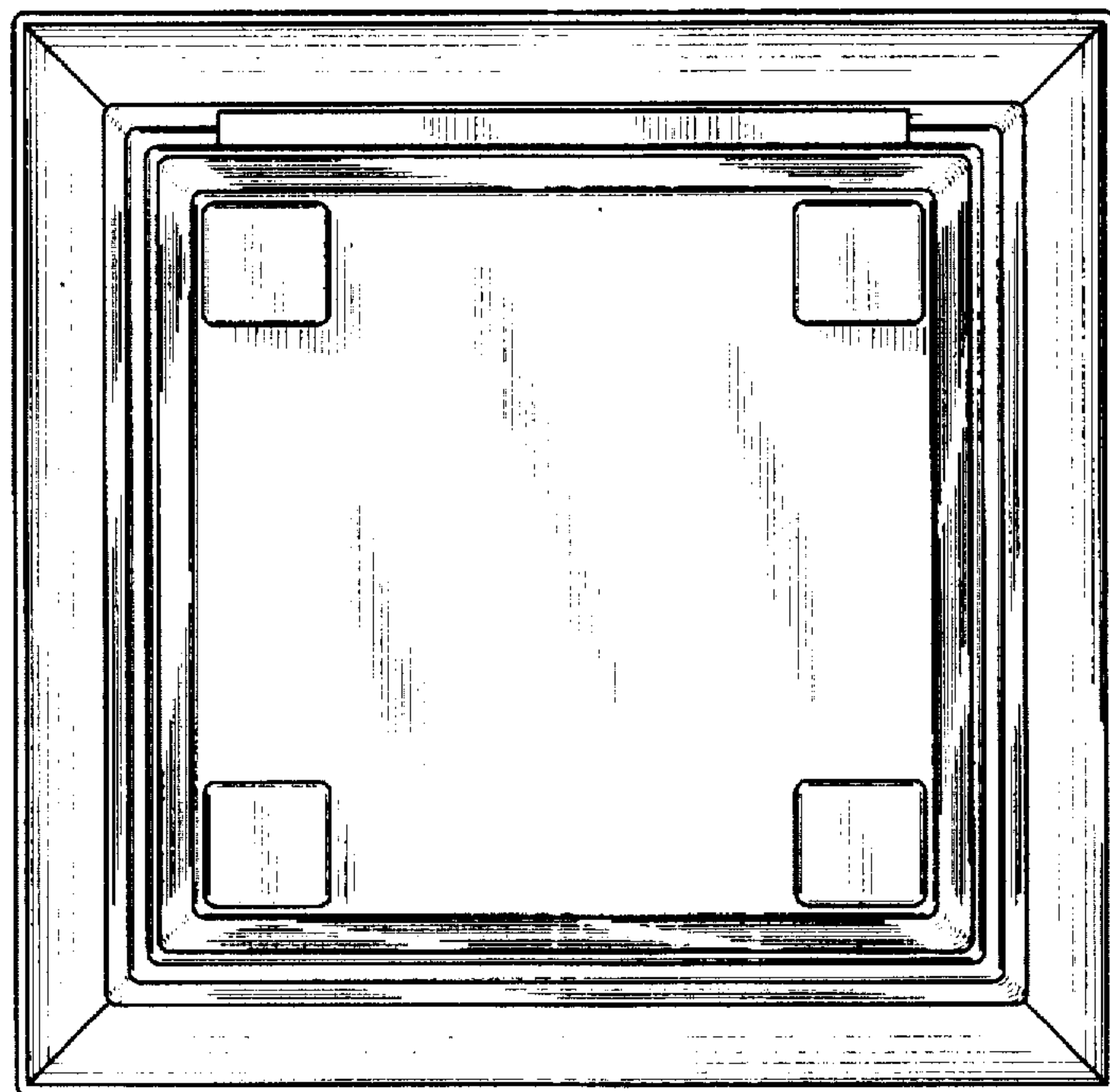


FIG. 6

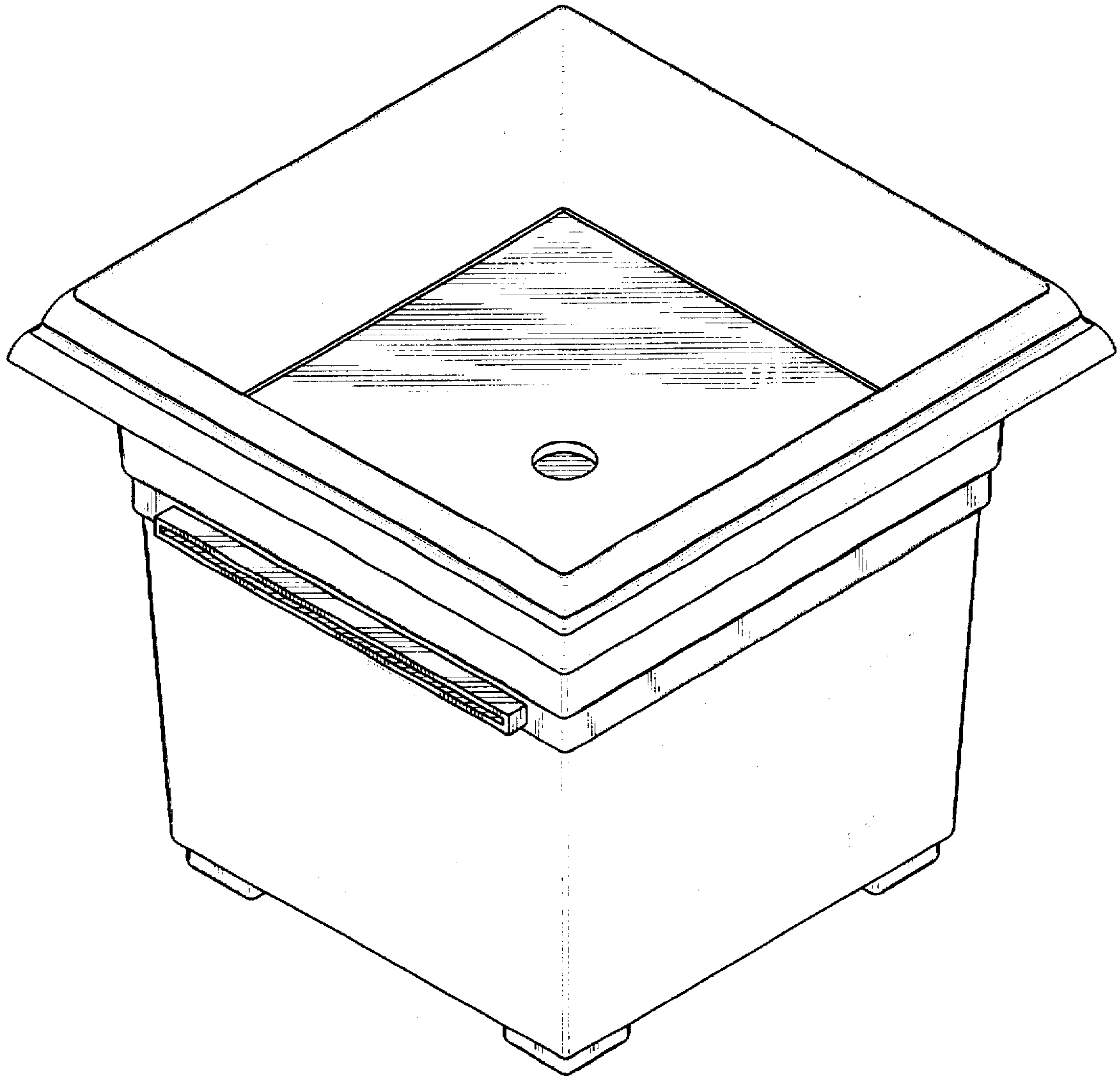


FIG. 7