



US00D394817S

United States Patent [19]
Roales

[11] **Patent Number: Des. 394,817**
[45] **Date of Patent: **Jun. 2, 1998**

[54] **WATCH**
[75] **Inventor: Gabriel N. Roales, Cebu, Philippines**
[73] **Assignee: Timex Corp., Middlebury, Conn.**
[**] **Term: 14 Years**
[21] **Appl. No.: 64,572**
[22] **Filed: Jan. 6, 1997**
[51] **LOC (6) Cl. 10-02**
[52] **U.S. Cl. D10/38; D10/30**
[58] **Field of Search D10/1-40, 122-132;**
368/280-282, 276-277, 28-30, 285, 239-242,
82-84, 41-44

D. 346,975 5/1994 Houlihan D10/30 X
D. 364,820 12/1995 Sakai D10/39
D. 364,822 12/1995 Sakai D10/39

Primary Examiner—Nelson C. Holtje
Attorney, Agent, or Firm—Paul R. Juhasz

[57] **CLAIM**

The ornamental design for a “watch.” as shown and described.

DESCRIPTION

FIG. 1 is a perspective elevational view of a “watch”;
FIG. 2 is a left elevational view thereof;
FIG. 3 is a top plan view thereof;
FIG. 4 is a right elevational view thereof;
FIG. 5 is an end elevational view thereof; and,
FIG. 6 is the other end elevational view thereof; and,
FIG. 7 is a bottom plan view thereof.

[56] **References Cited**
U.S. PATENT DOCUMENTS

D. 323,786 2/1992 Ishizaka D10/38
D. 327,656 7/1992 Sugita D10/38

1 Claim, 2 Drawing Sheets

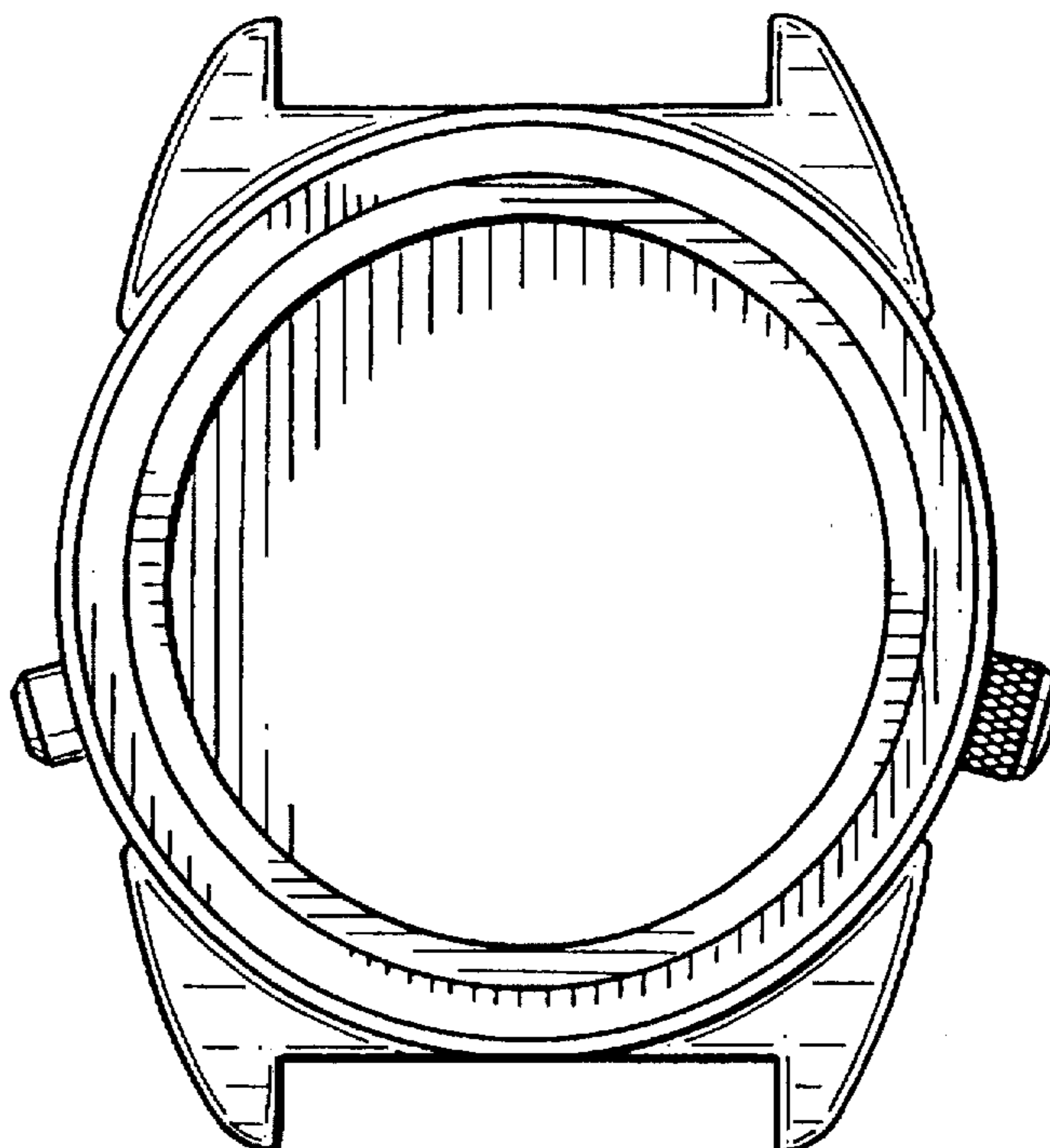


FIG. 1

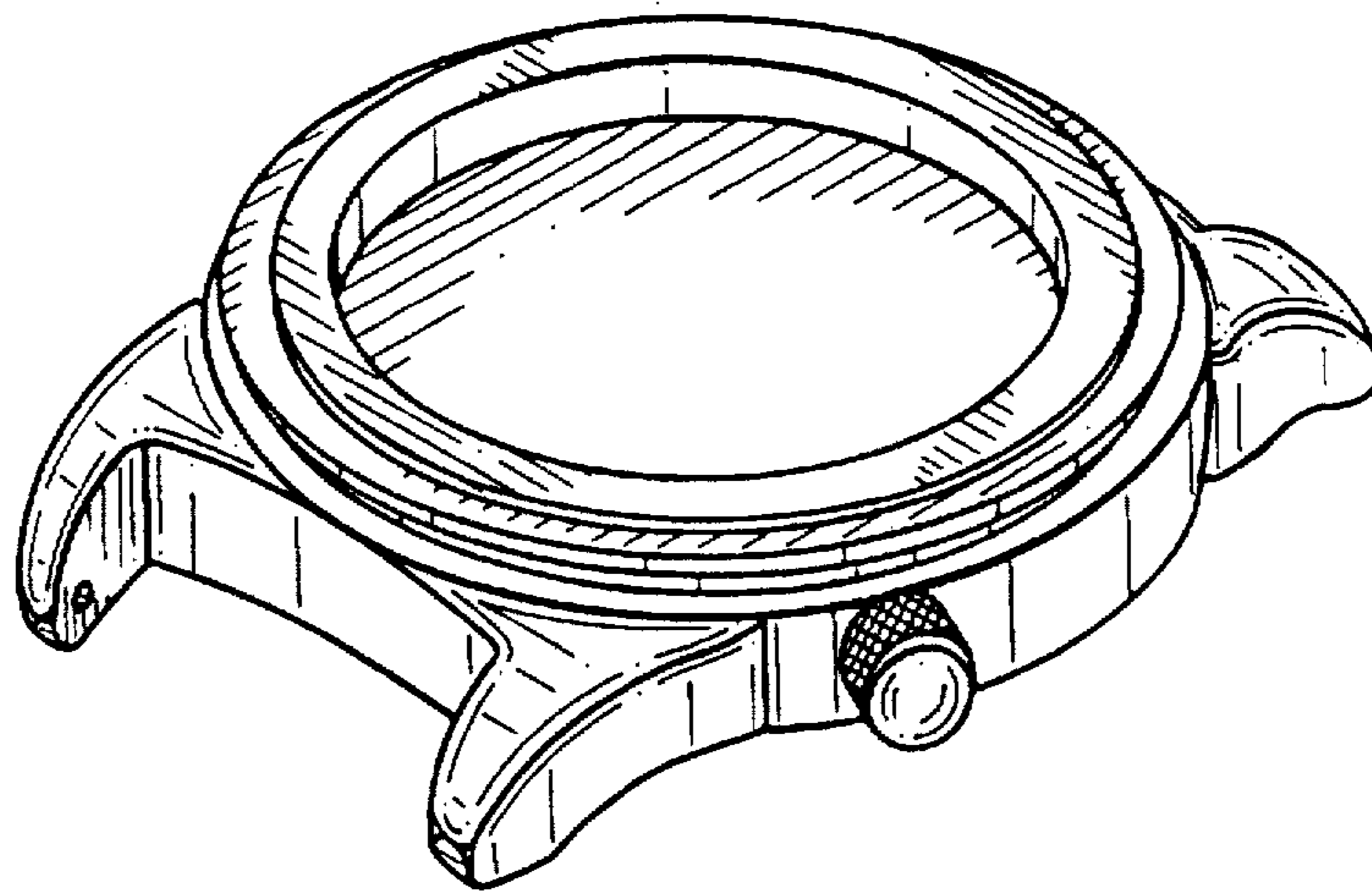


FIG. 7

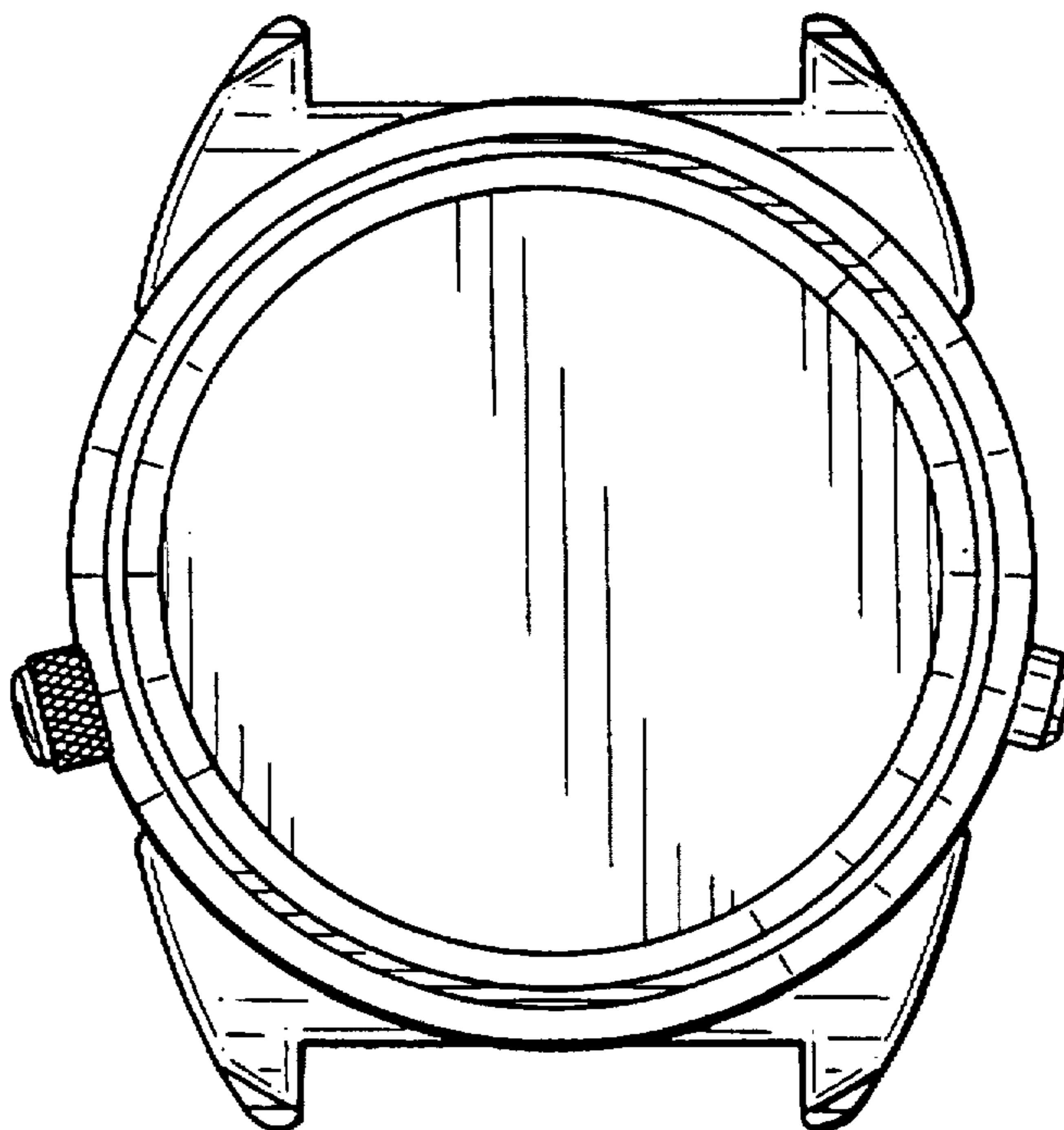


FIG. 2

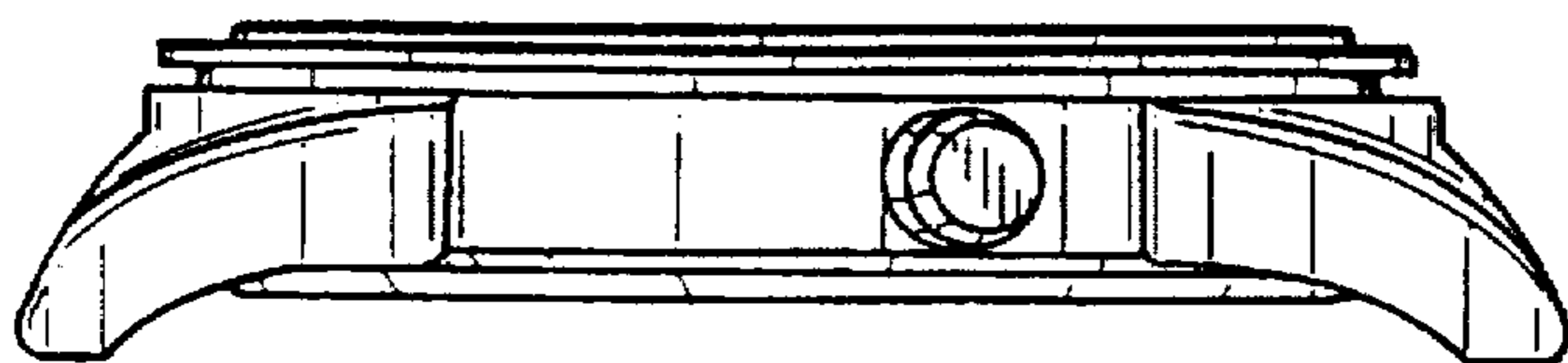


FIG. 3

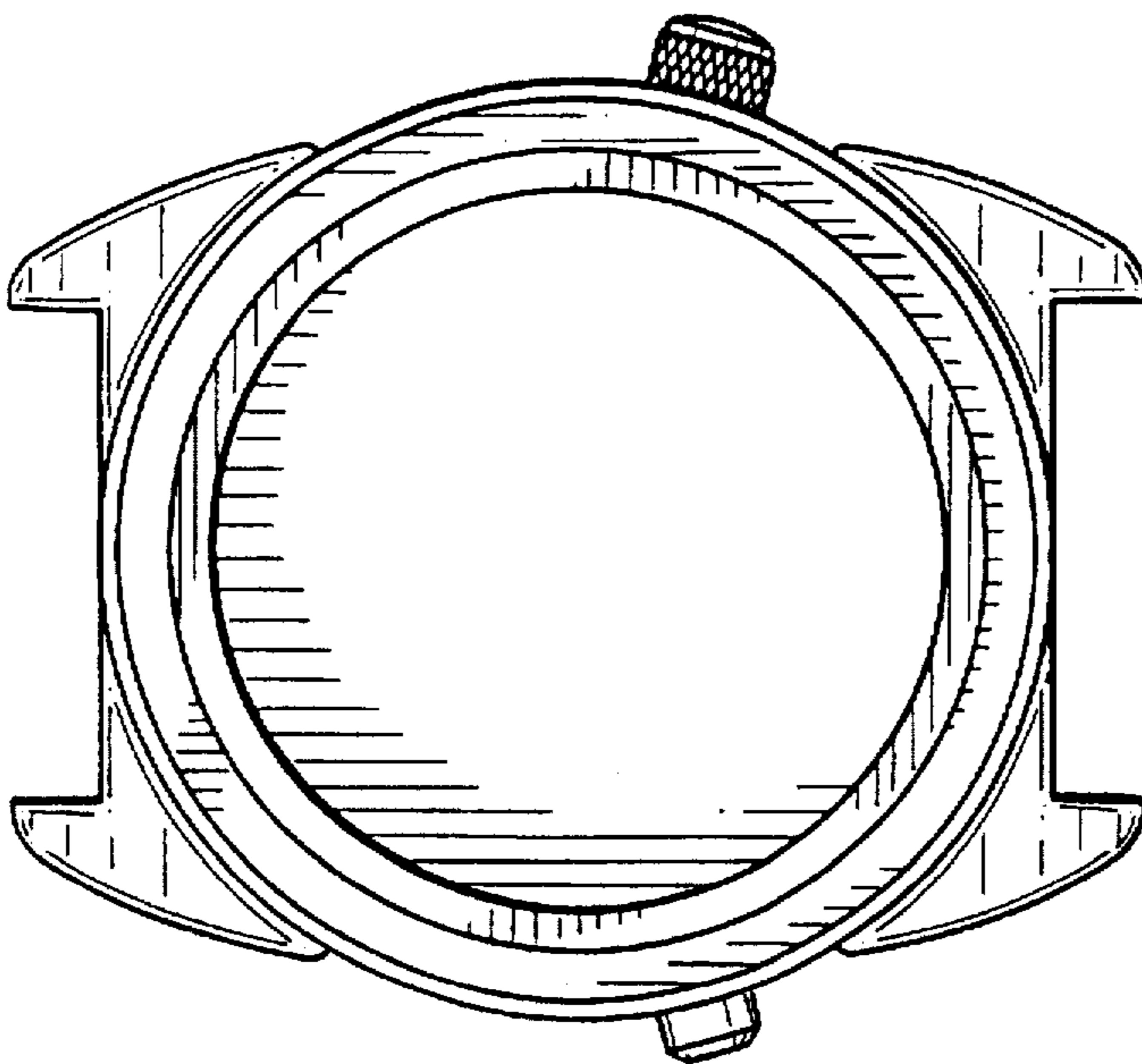


FIG. 4

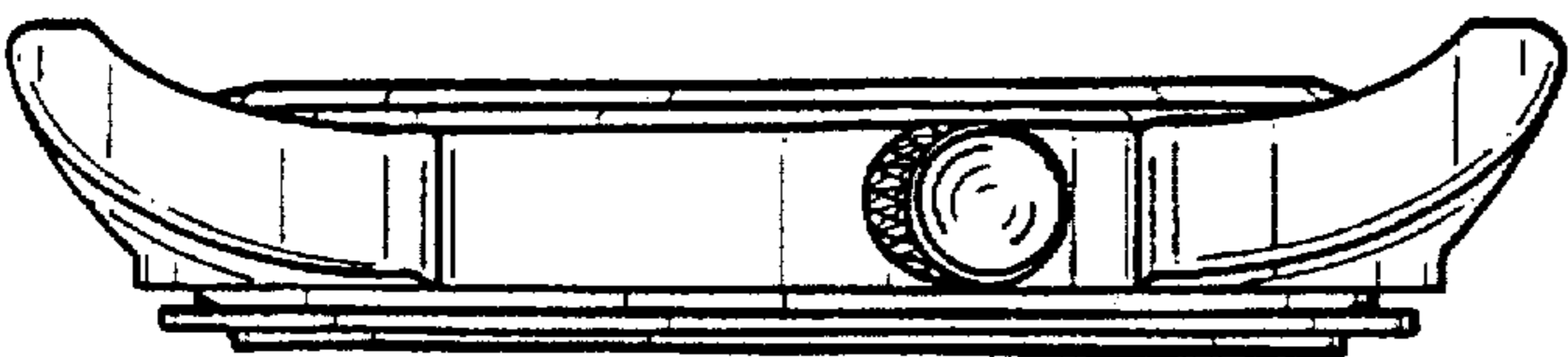


FIG. 5

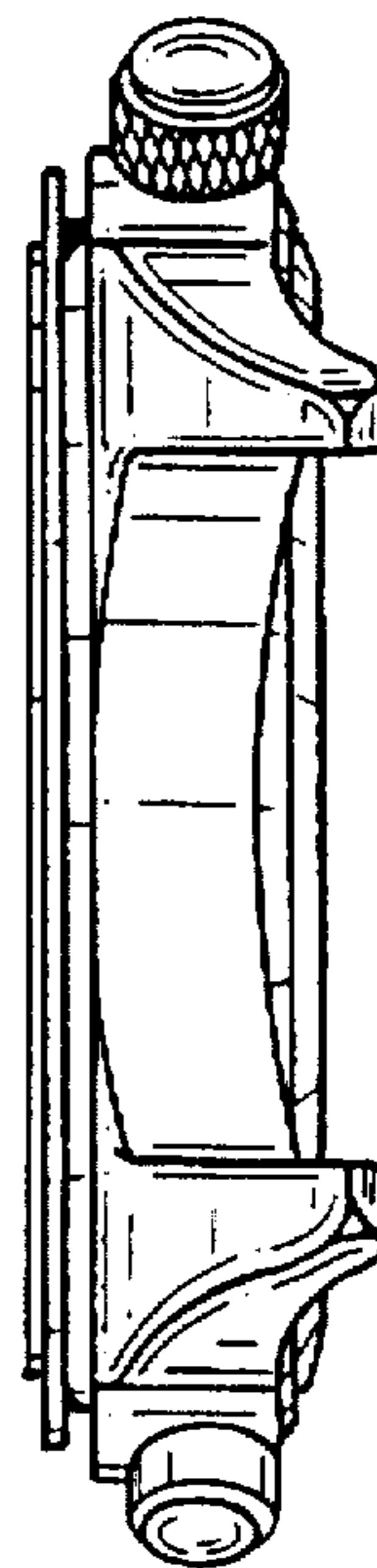
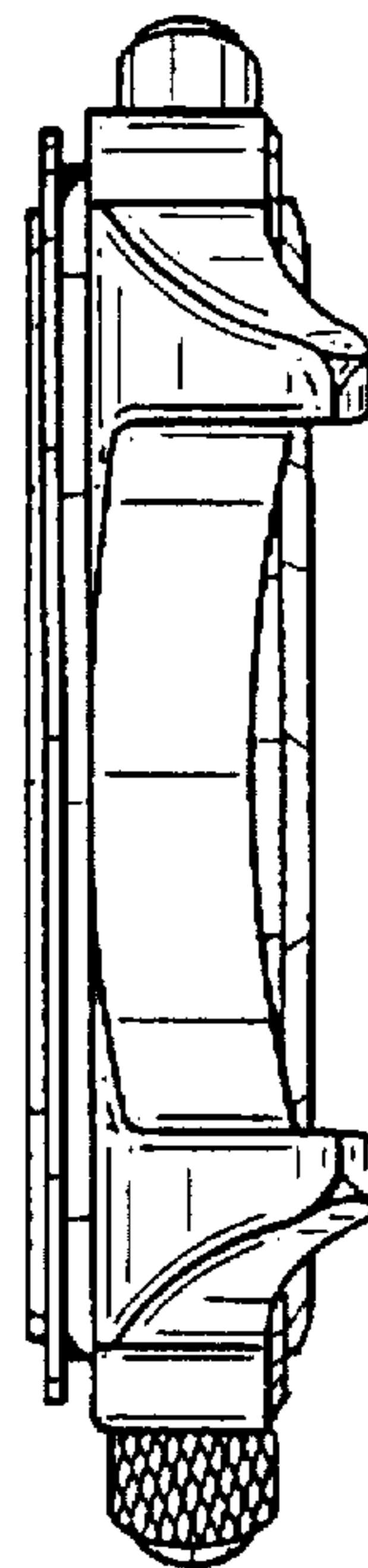


FIG. 6



UNITED STATES PATENT AND TRADEMARK OFFICE
CERTIFICATE OF CORRECTION

PATENT : **Des.394,817**

Page 1 of 3

DATED : **Jun. 2, 1998**

INVENTOR(S) : **Roales**

It is certified that error appears in the above-identified patent and that said Letters Patent is hereby corrected as shown below:

In the Drawings:

Figures 1-7 should be deleted, and substitute therefore the attached Figures 1-7.

Signed and Sealed this
Eighteenth Day of May, 1999

Attest:



Q. TODD DICKINSON

Attesting Officer

Acting Commissioner of Patents and Trademarks

FIG. 1

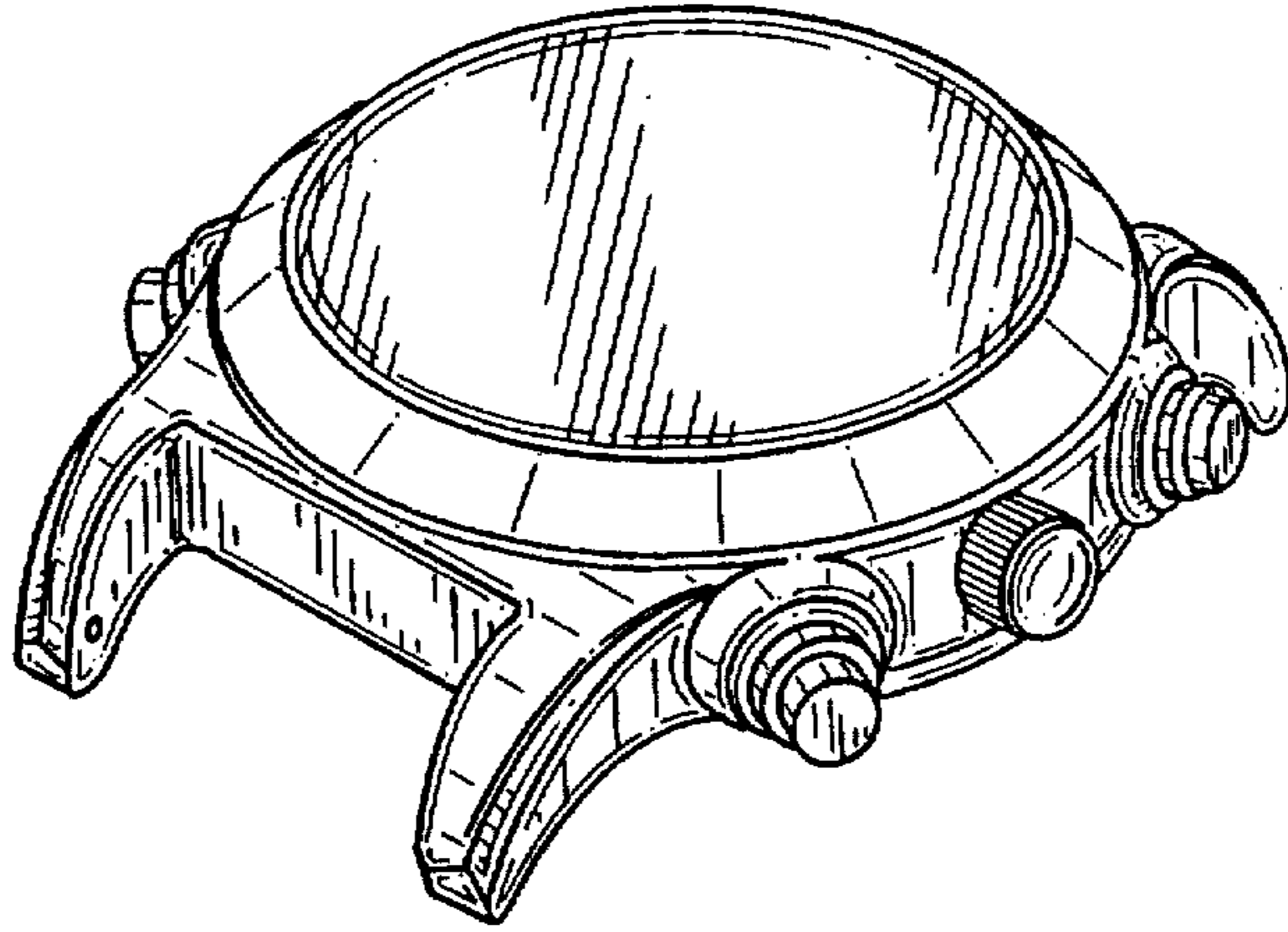


FIG. 7

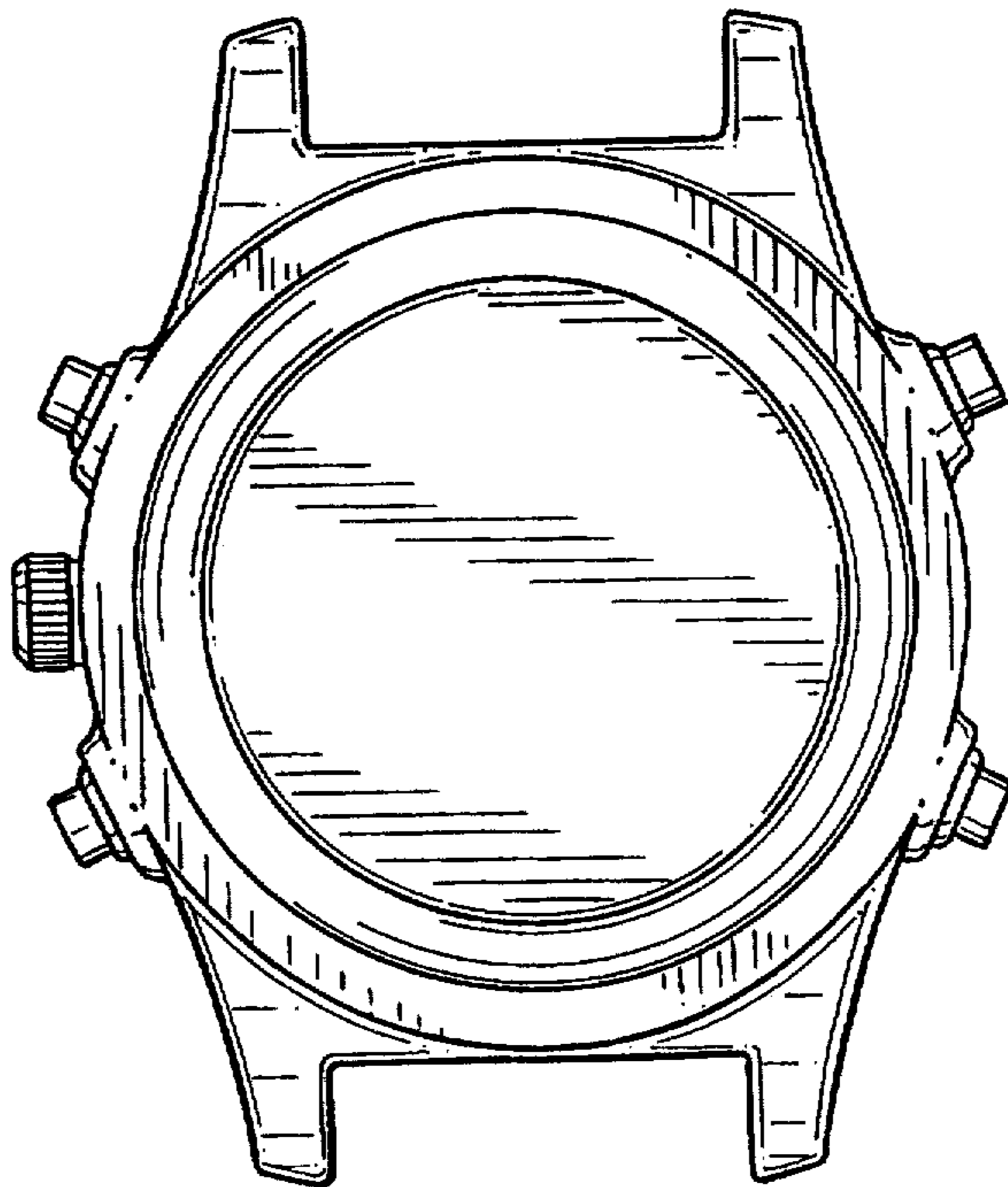


FIG. 4

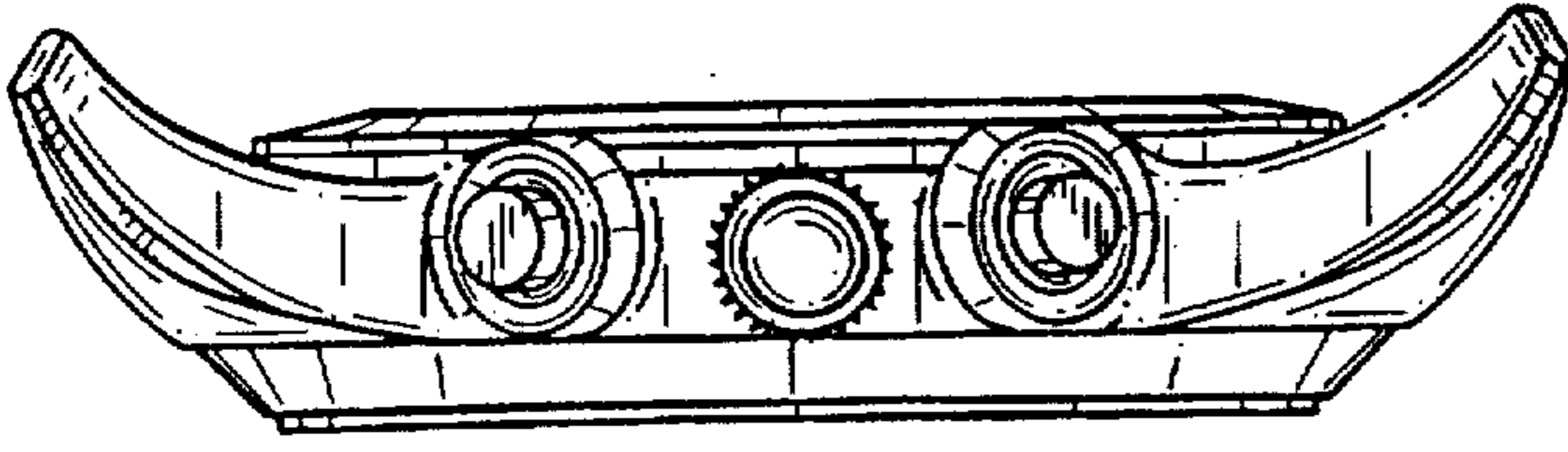


FIG. 3

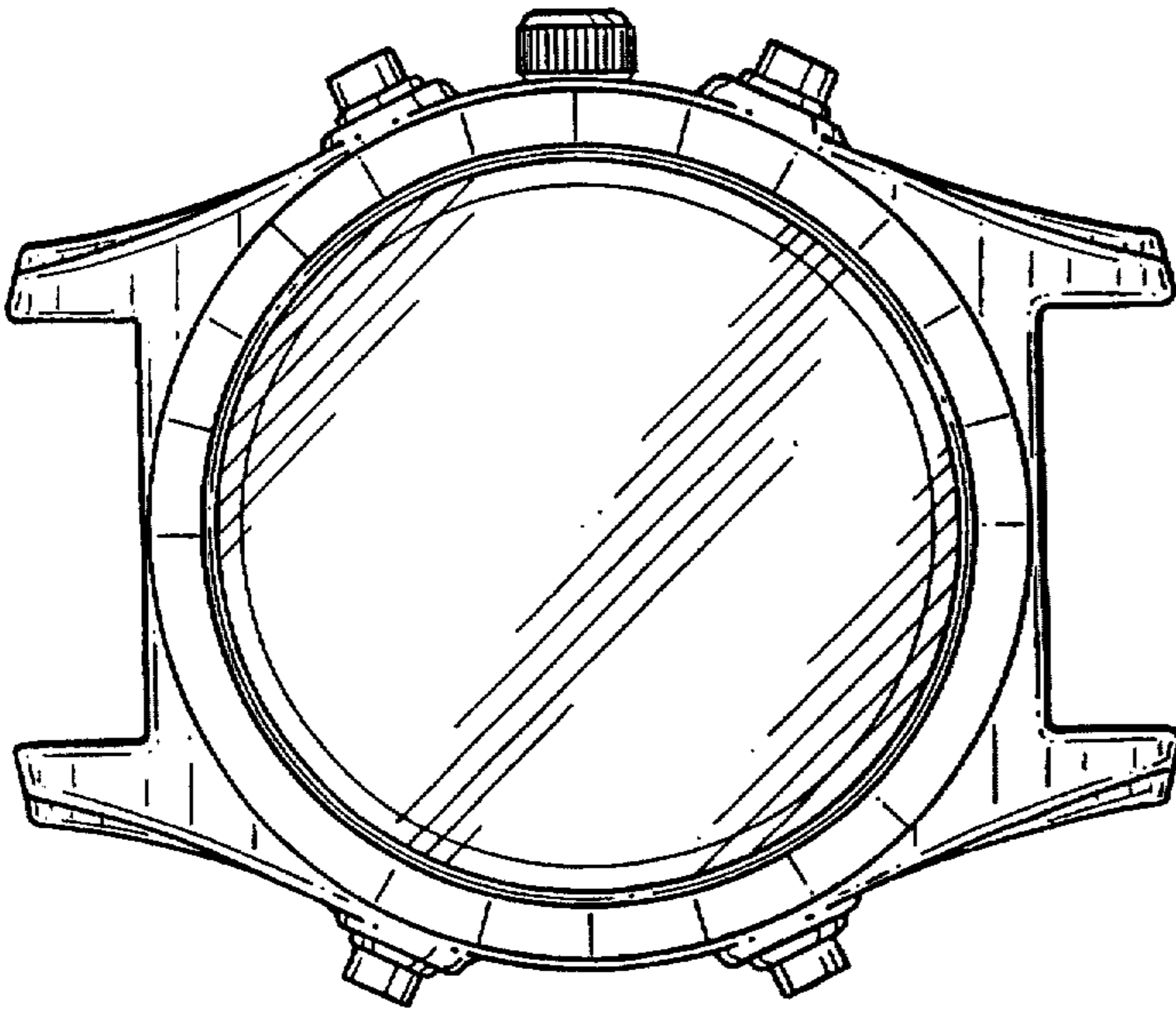


FIG. 2

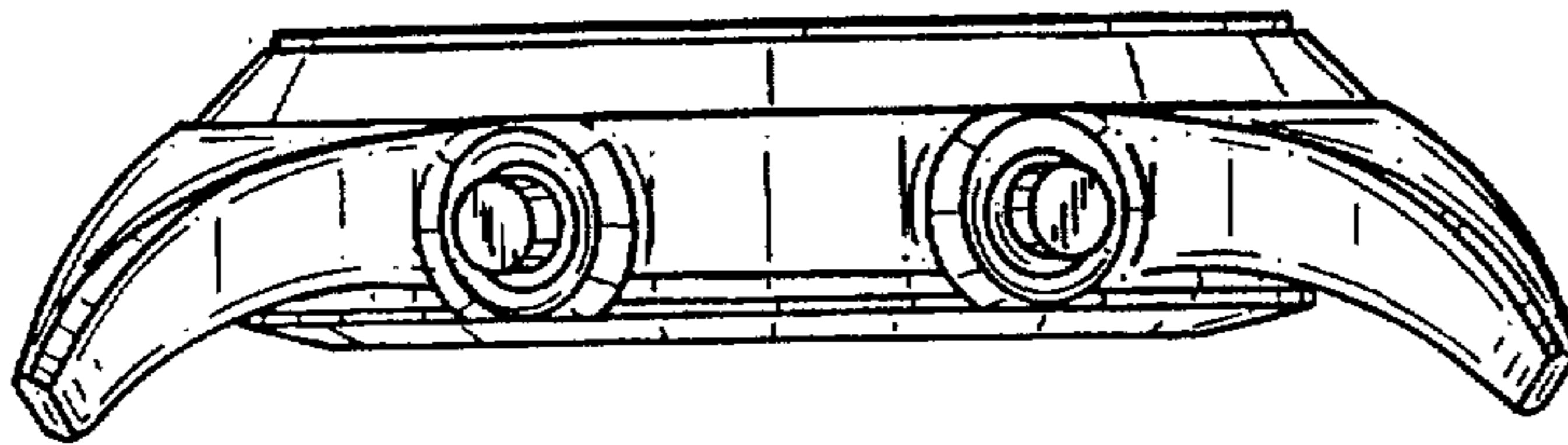


FIG. 6

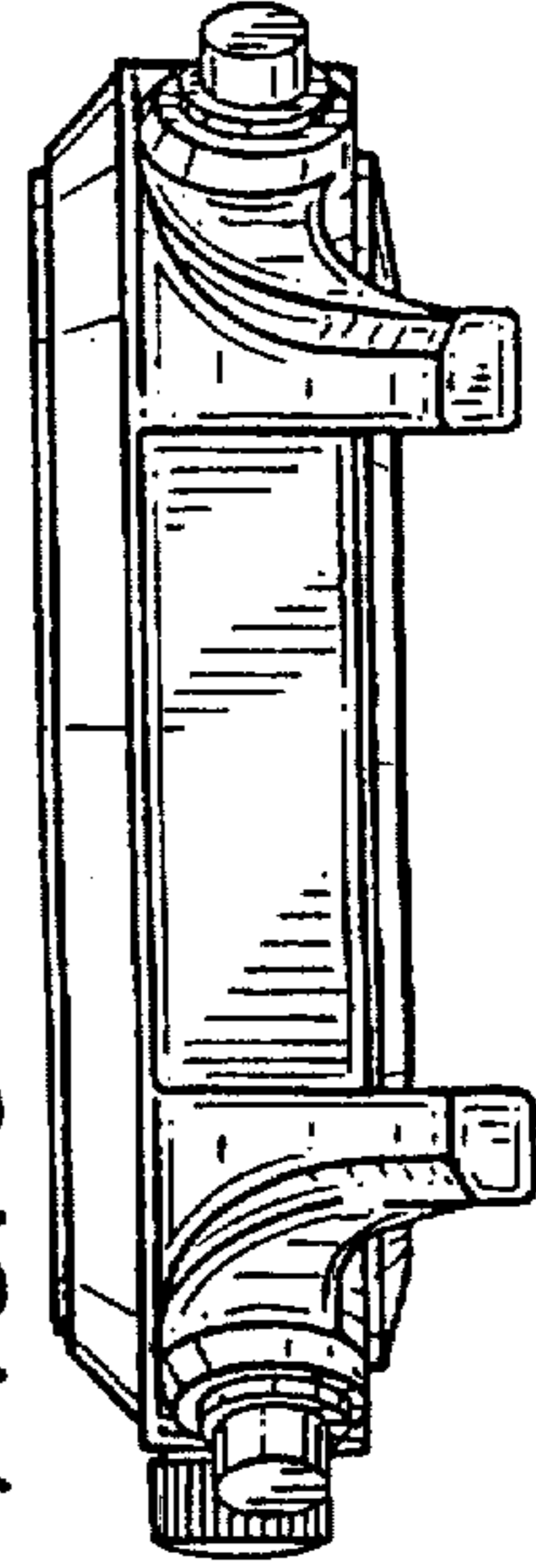
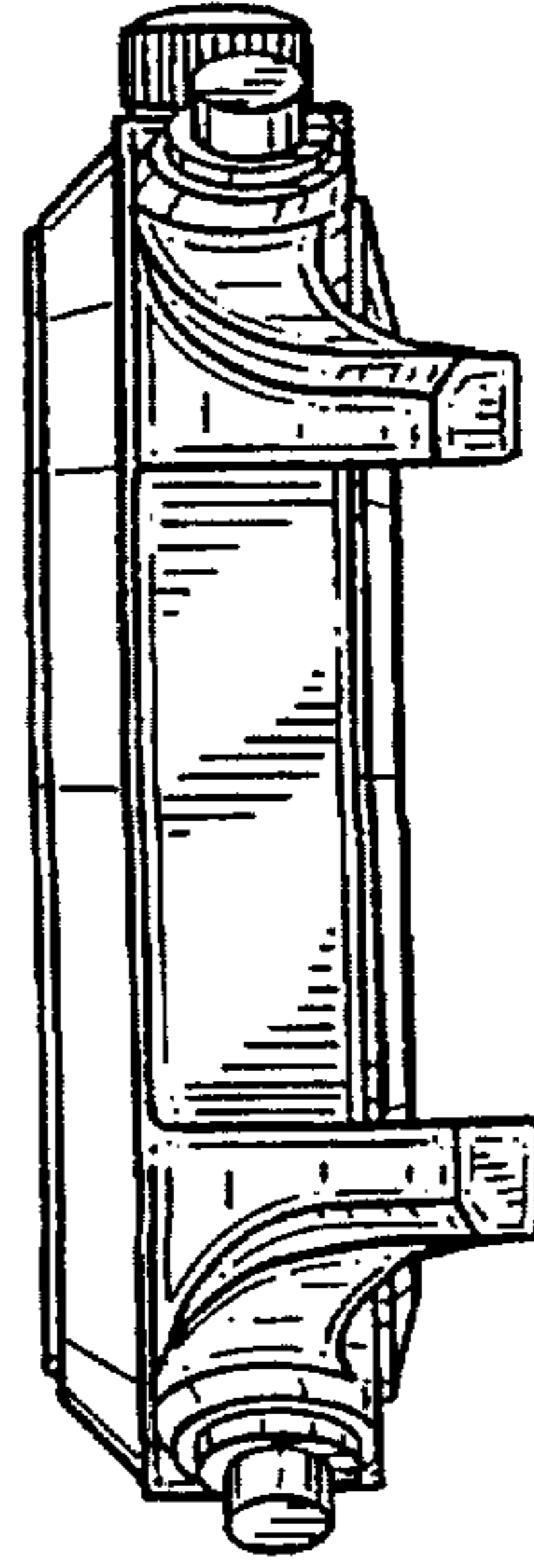


FIG. 5



UNITED STATES PATENT AND TRADEMARK OFFICE
CERTIFICATE OF CORRECTION

Page 1 of 4

PATENT NO. : Des. 394,817
DATED : Jun. 2, 1998
INVENTOR(S) : Roales

It is certified that error appears in the above-identified patent and that said Letters Patent is hereby corrected as shown below:

This certificate supersedes Certificate of Correction issued May 18, 1999.

The title page should be deleted to appear as per attached title page.

Figures 1-7 should be deleted and substitute therefore the attached Figures 1-7.

Signed and Sealed this
First Day of June, 1999



Q. TODD DICKINSON

Acting Commissioner of Patents and Trademarks

Attest:

Attesting Officer

United States Patent [19]

Roales

[11] Patent Number: Des. 394,817

[45] Date of Patent: **Jun. 2, 1998

[54] WATCH

[75] Inventor: Gabriel N. Roales, Cebu, Philippines

[73] Assignee: Timex Corp., Middlebury, Conn.

[**] Term: 14 Years

[21] Appl. No.: 64,572

[22] Filed: Jan. 6, 1997

[51] LOC (6) Cl. 10-02

[52] U.S. Cl. D10/38; D10/30

[58] Field of Search D10/1-40, 122-132;
368/280-282, 276-277, 28-30, 285, 239-242,
82-84, 41-44

[56] References Cited

U.S. PATENT DOCUMENTS

- D. 323,786 2/1992 Ishizaka D10/38
- D. 327,656 7/1992 Sugita D10/38

- D. 346,975 5/1994 Houlihan D10/30
- D. 364,820 12/1995 Sakai D10/38
- D. 364,822 12/1995 Sakai D10/38

Primary Examiner—Nelson C. Holtje
Attorney, Agent, or Firm—Paul R. Juhasz

[57] CLAIM

The ornamental design for a "watch," as shown and described.

DESCRIPTION

FIG. 1 is a perspective elevational view of a "watch";
FIG. 2 is a left elevational view thereof;
FIG. 3 is a top plan view thereof;
FIG. 4 is a right elevational view thereof;
FIG. 5 is an end elevational view thereof; and,
FIG. 6 is the other end elevational view thereof; and,
FIG. 7 is a bottom plan view thereof.

1 Claim, 2 Drawing Sheets

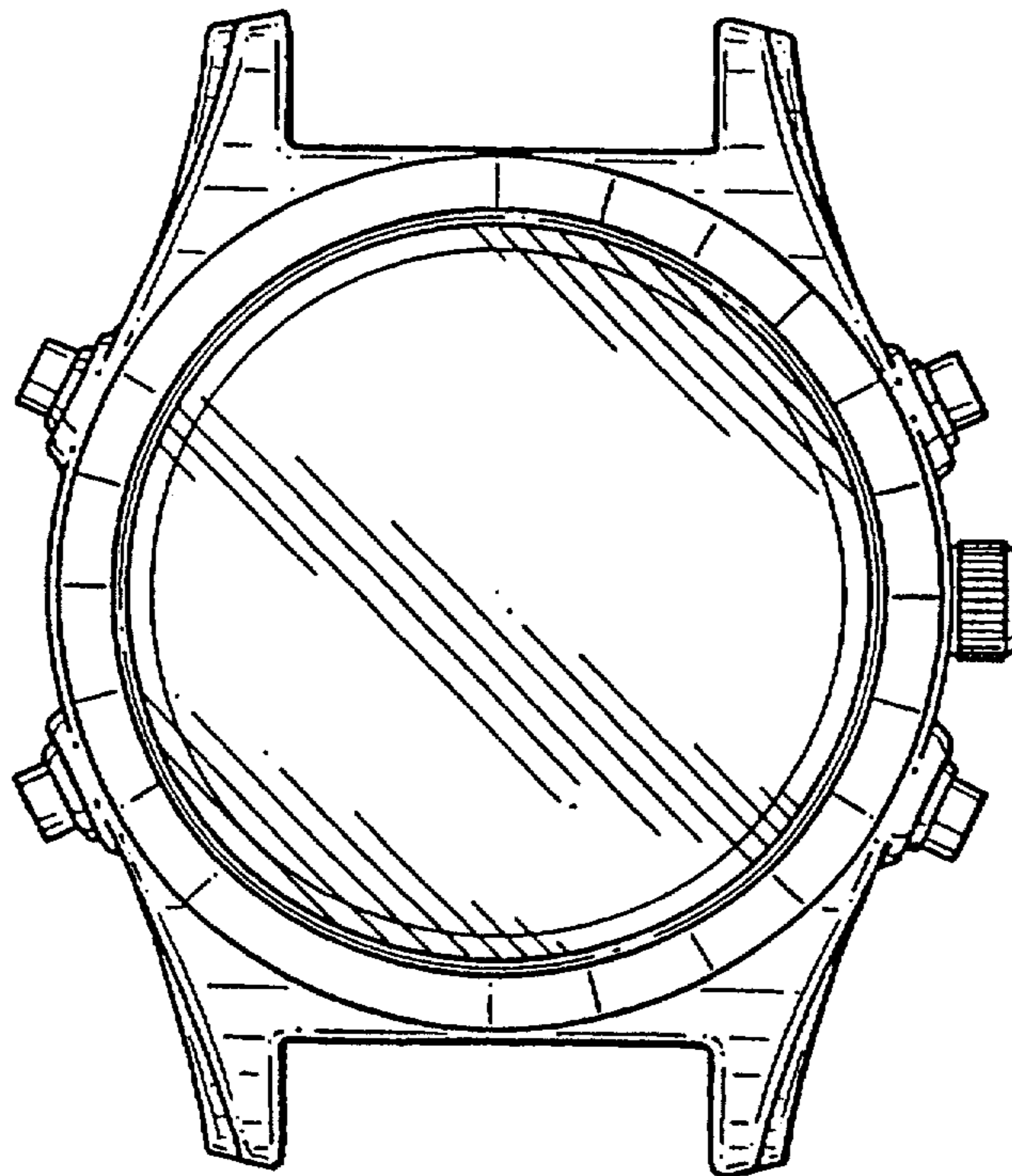


FIG. 1

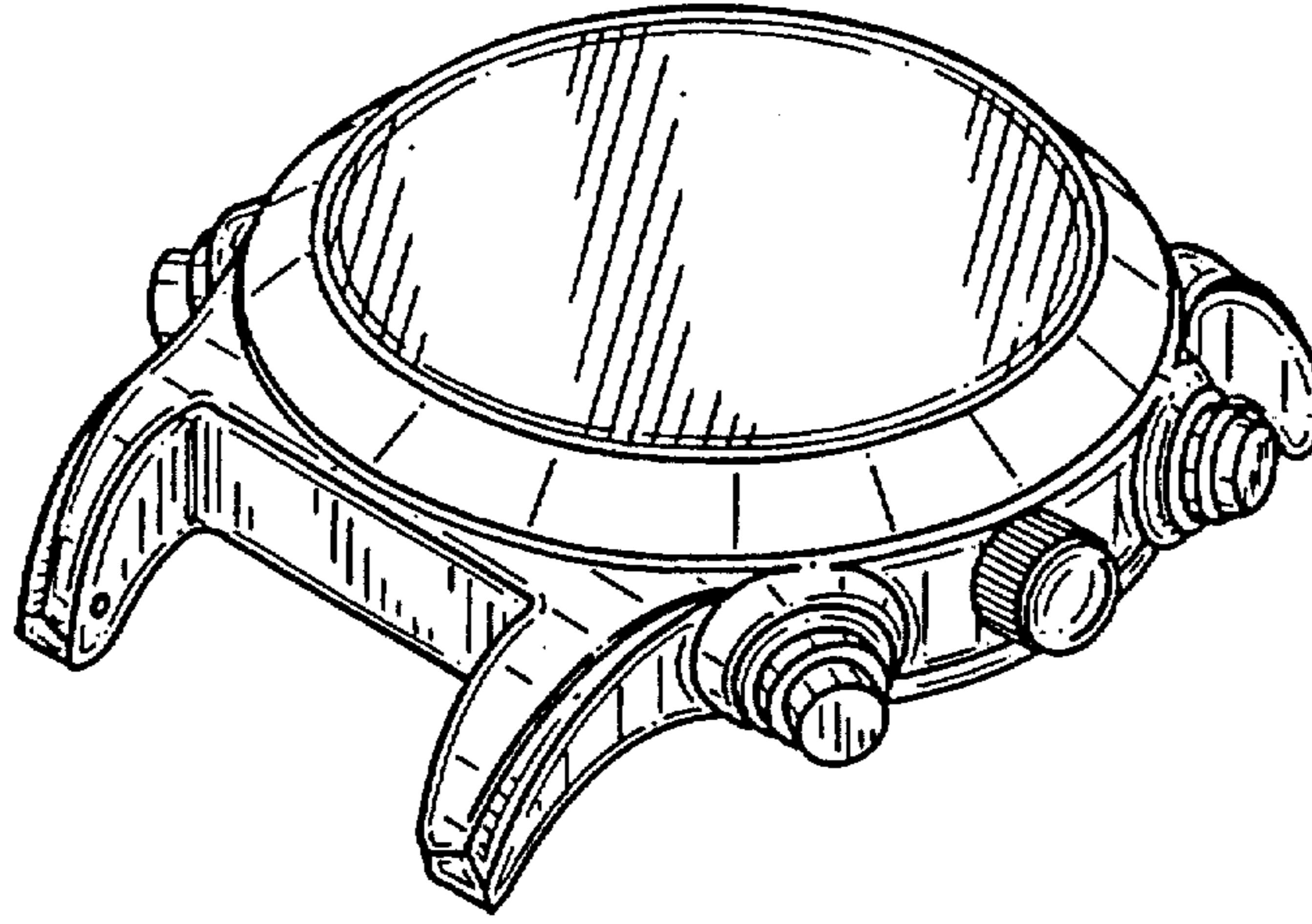


FIG. 7

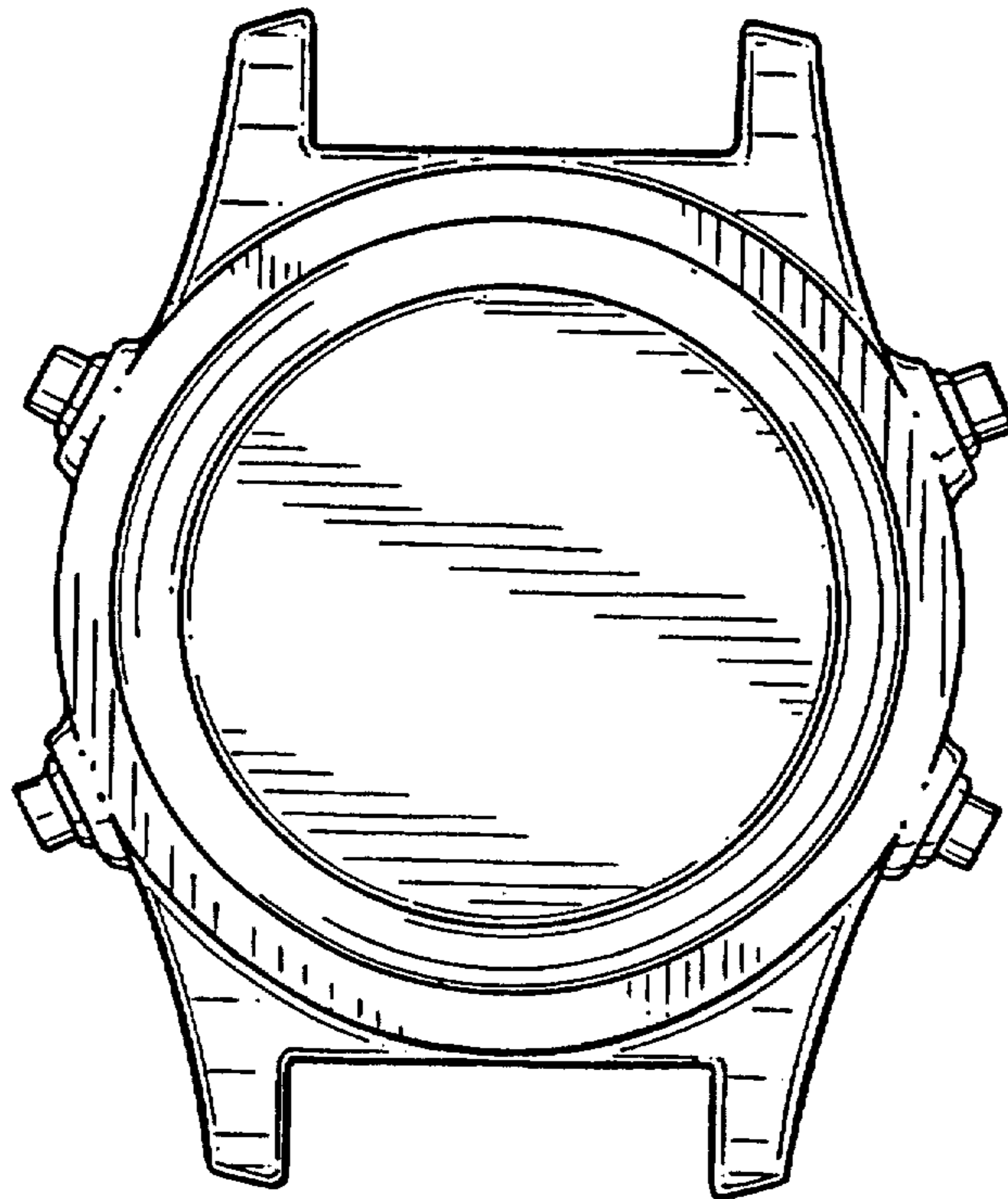


FIG. 4

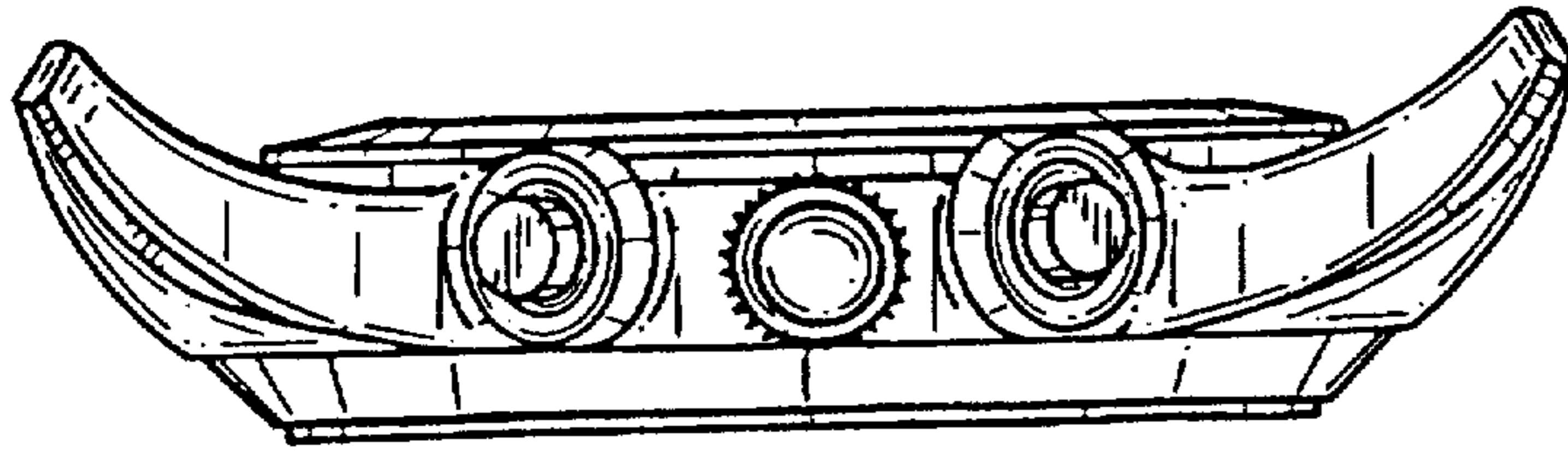


FIG. 3

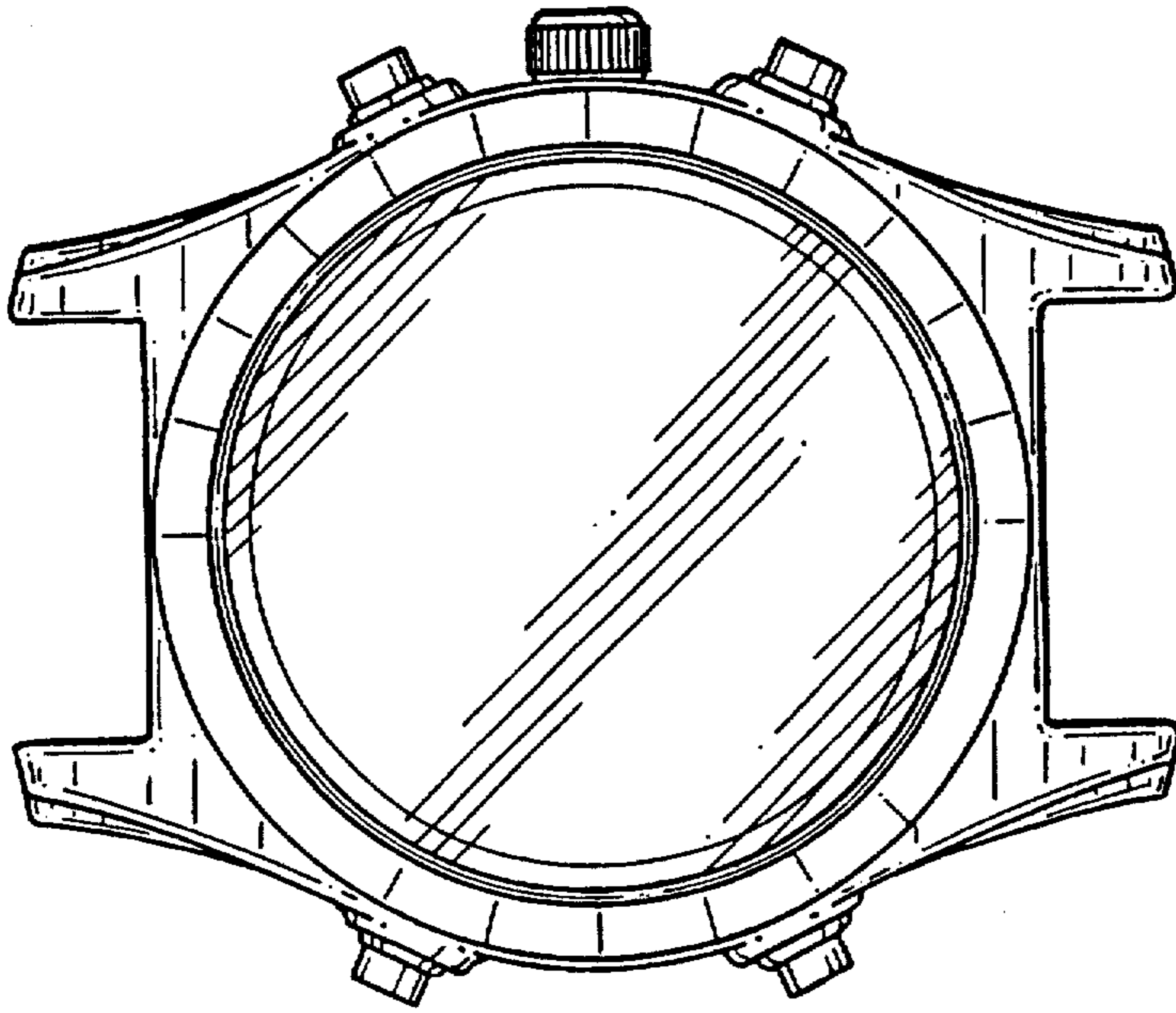


FIG. 2

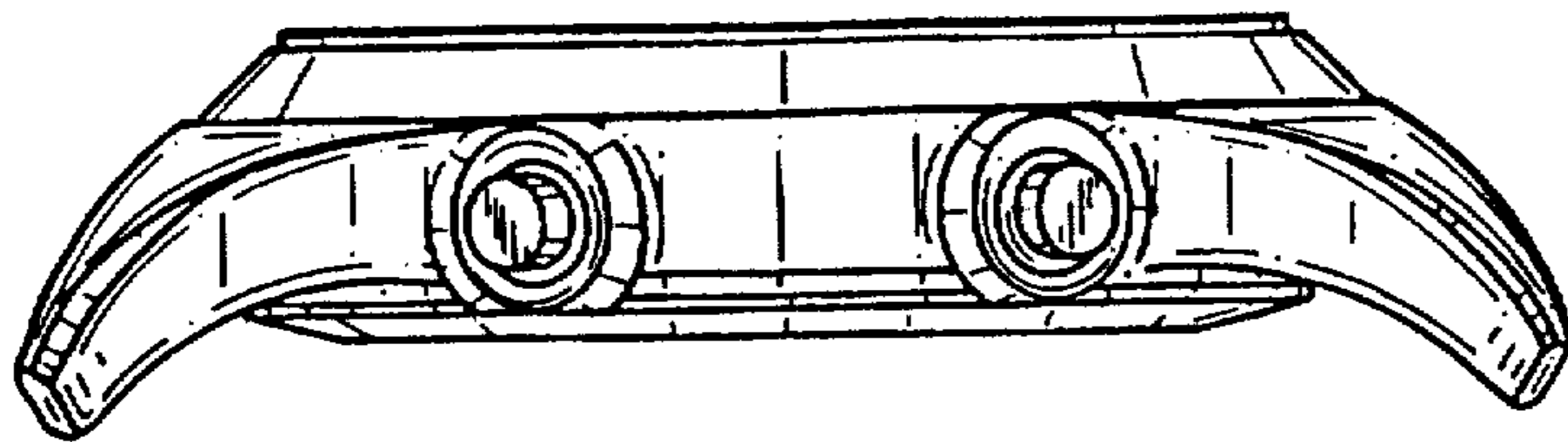


FIG. 6

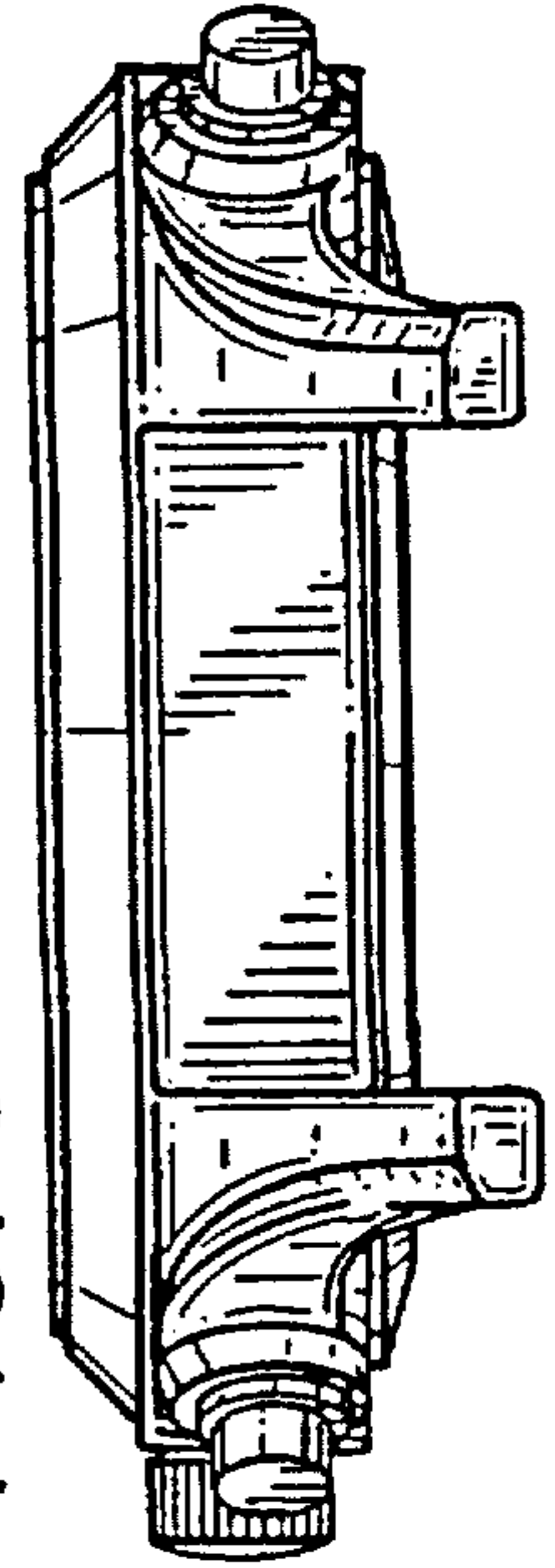


FIG. 5

