



US00D394805S

# United States Patent [19]

Kafzan et al.

[11] Patent Number: Des. 394,805

[45] Date of Patent: \*\*Jun. 2, 1998

[54] CONTAINER FOR TWO DETERGENTS

[75] Inventors: Abraham Kafzan, Hashlosha; David Zelniker, Tel-Aviv, both of Israel

[73] Assignee: Deacy Technologies Ltd., Bnei Brag, Israel

[\*\*] Term: 14 Years

[21] Appl. No.: 64,734

[22] Filed: Jan. 9, 1997

### [30] Foreign Application Priority Data

Jan. 6, 1997 [IL] Israel ..... 27330

[51] LOC (6) Cl. .... 09-03

[52] U.S. Cl. .... D9/341; D9/524; D9/528

[58] Field of Search ..... D9/341, 347, 348, D9/520, 524, 527, 528; 215/6, 10, 385, 398; 220/23.2, 23.3, 23.4

### [56] References Cited

#### U.S. PATENT DOCUMENTS

D. 212,350	10/1968	Kelly	.....	D9/528	X
D. 258,866	4/1981	Houseman et al.	.....	D9/528	X
D. 292,373	10/1987	Costa	.....	D9/347	
D. 327,639	7/1992	Burnsed	.....	D9/341	
1,459,257	6/1923	Reger	.....	220/524	

4,381,841	5/1983	Schwarz	.....	215/10	X
4,881,652	11/1989	Schiemann	.....	215/398	X
5,447,245	9/1995	Merhar	.....	215/6	

### FOREIGN PATENT DOCUMENTS

2598383 11/1987 France ..... 220/524

Primary Examiner—Ted Shooman

Assistant Examiner—Nanda Bondade

Attorney, Agent, or Firm—Gary M. Nath; Nath & Associates

### [57] CLAIM

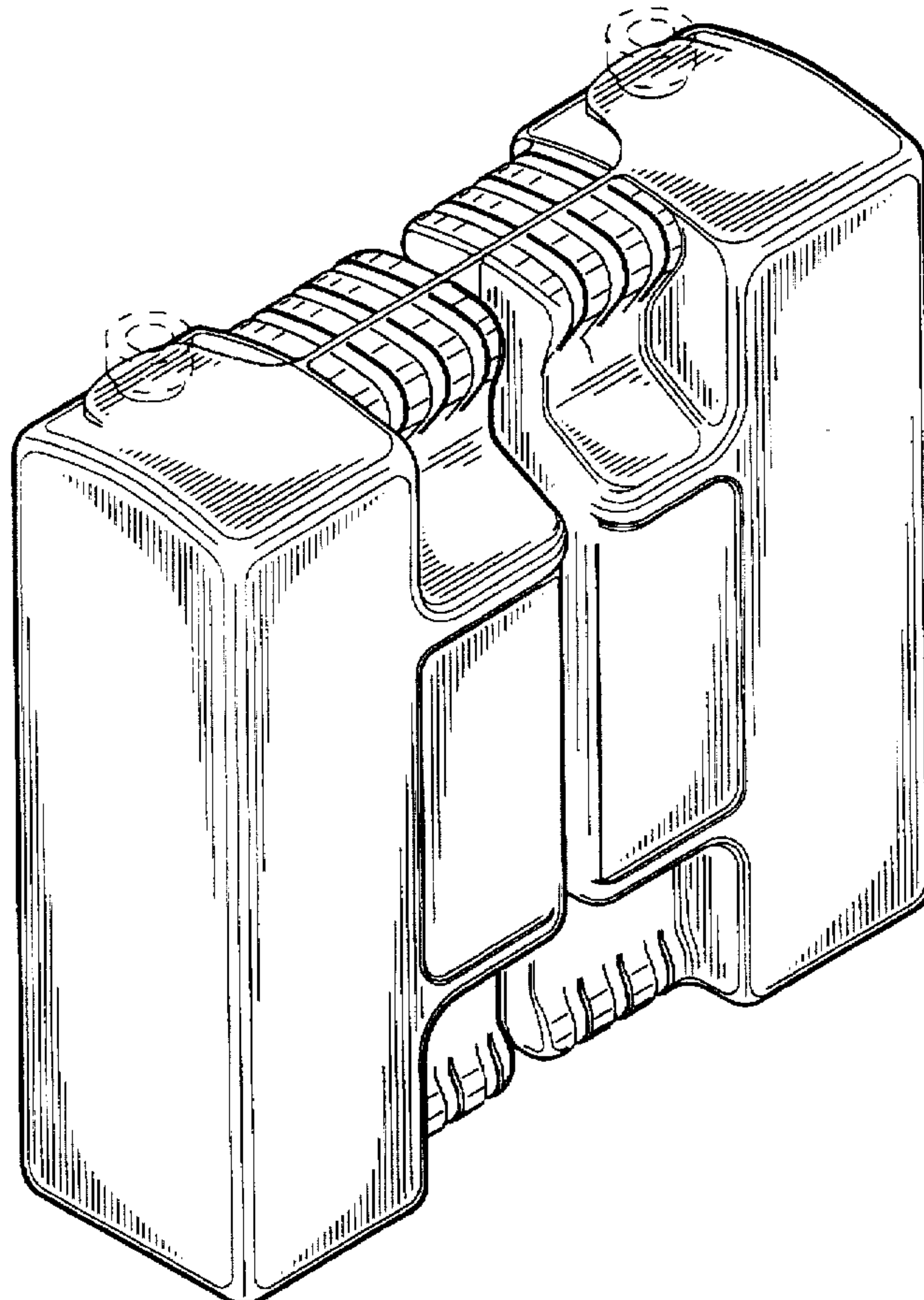
The ornamental design for a container for two detergents, as shown and described.

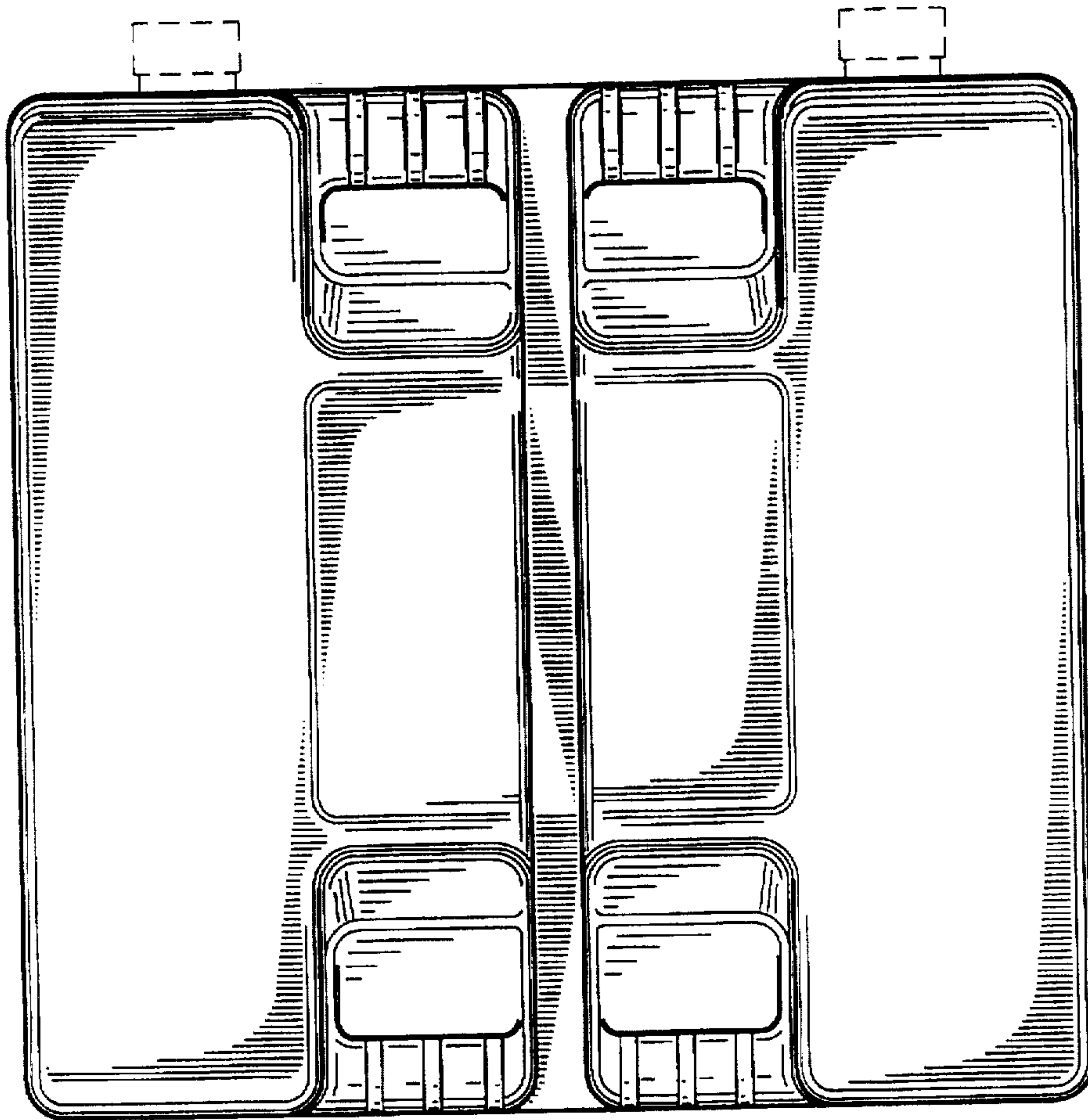
### DESCRIPTION

FIG. 1 is a front view of a container for two detergents showing our new design;  
 FIG. 2 is a top view thereof;  
 FIG. 3 is a rear view thereof;  
 FIG. 4 is a bottom view thereof;  
 FIG. 5 is a right side view thereof;  
 FIG. 6 is a left side view thereof; and,  
 FIG. 7 is a perspective view thereof.

The broken line showing on FIGS. 1-3 and 5-7 is for illustrative purposes only and forms no part of the claimed design.

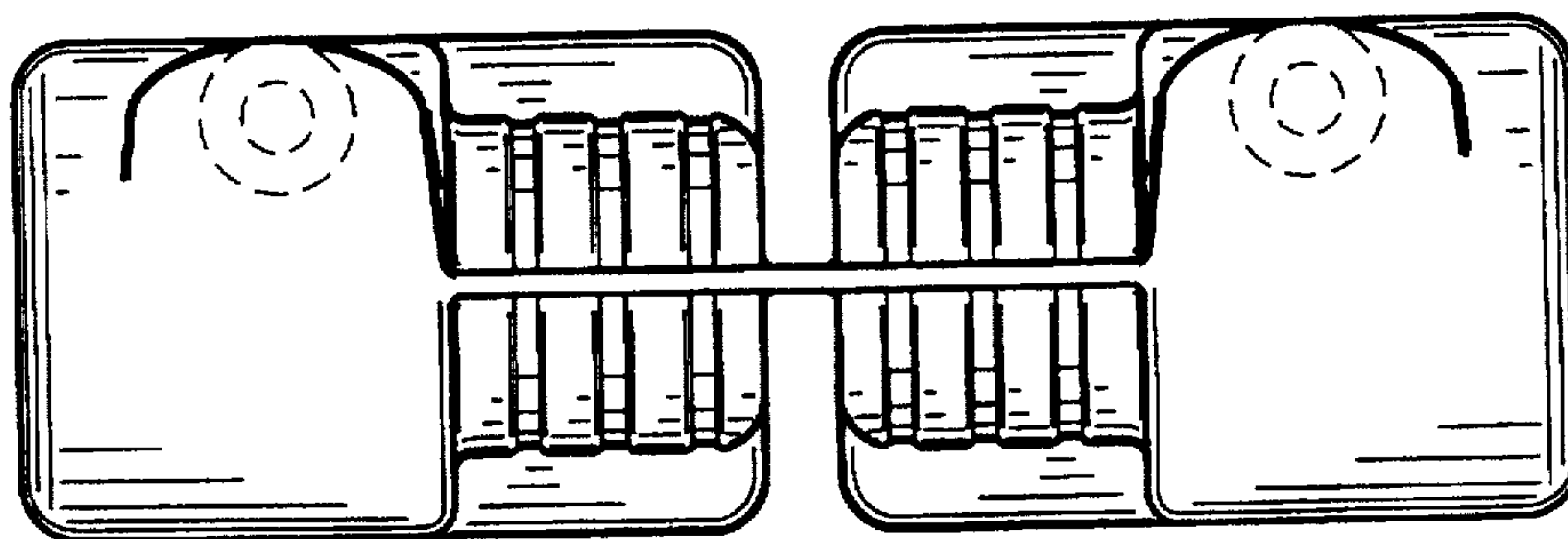
1 Claim, 4 Drawing Sheets





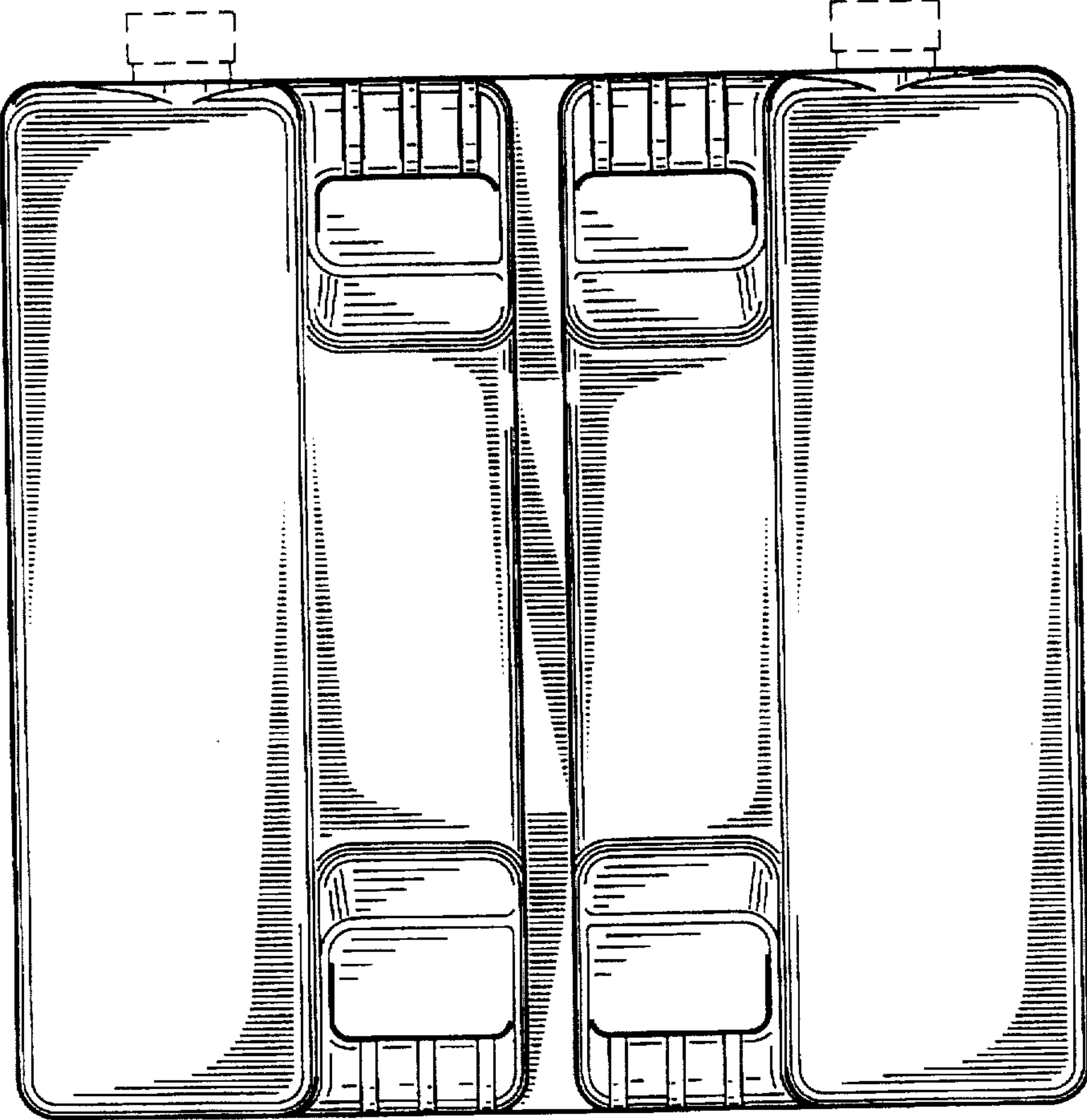
Front view

FIG. 1



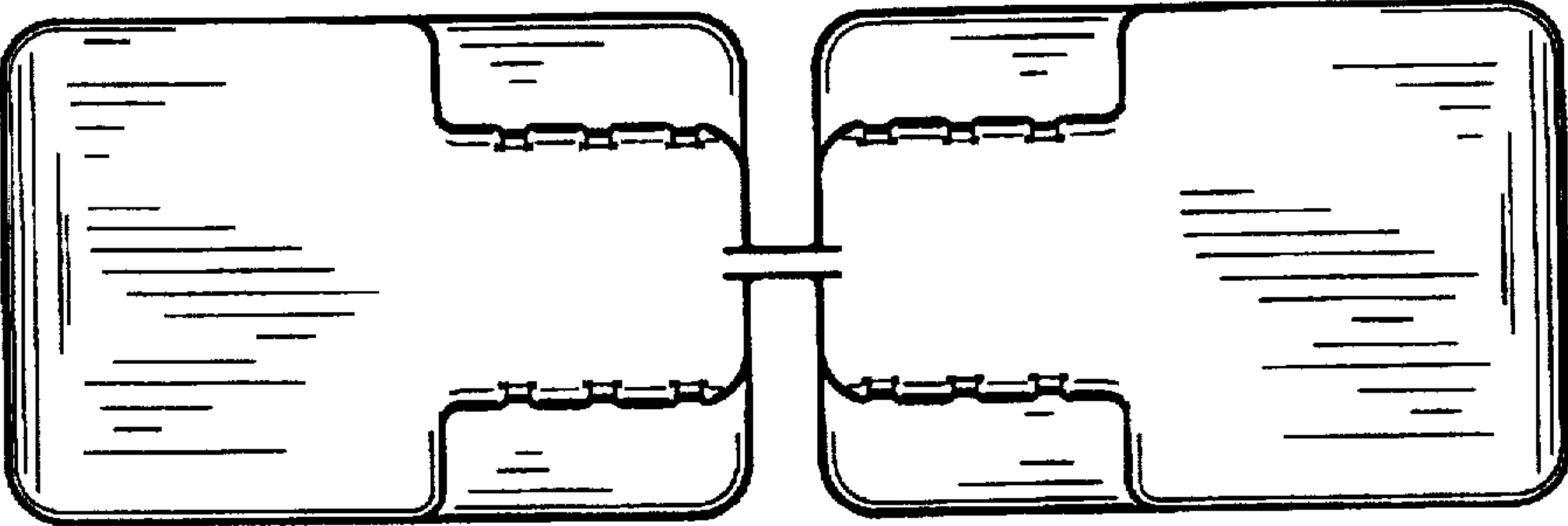
Top view

FIG. 2



Rear view

FIG.3



Bottom view

FIG.4

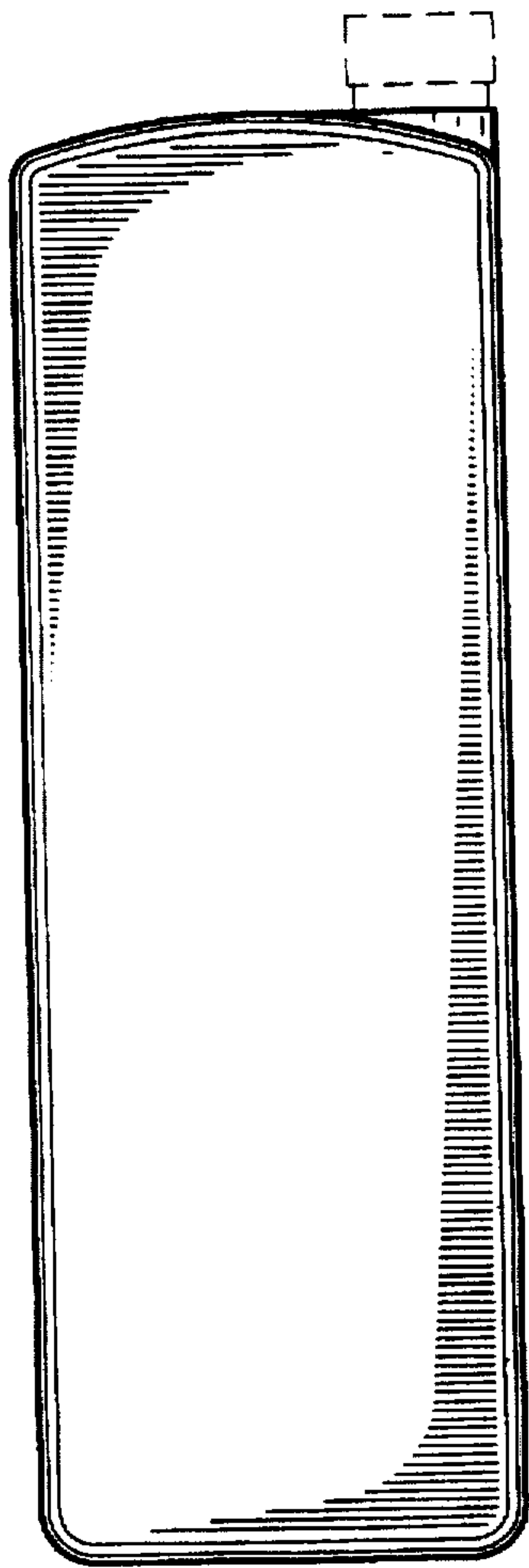


FIG. 5

Right side view

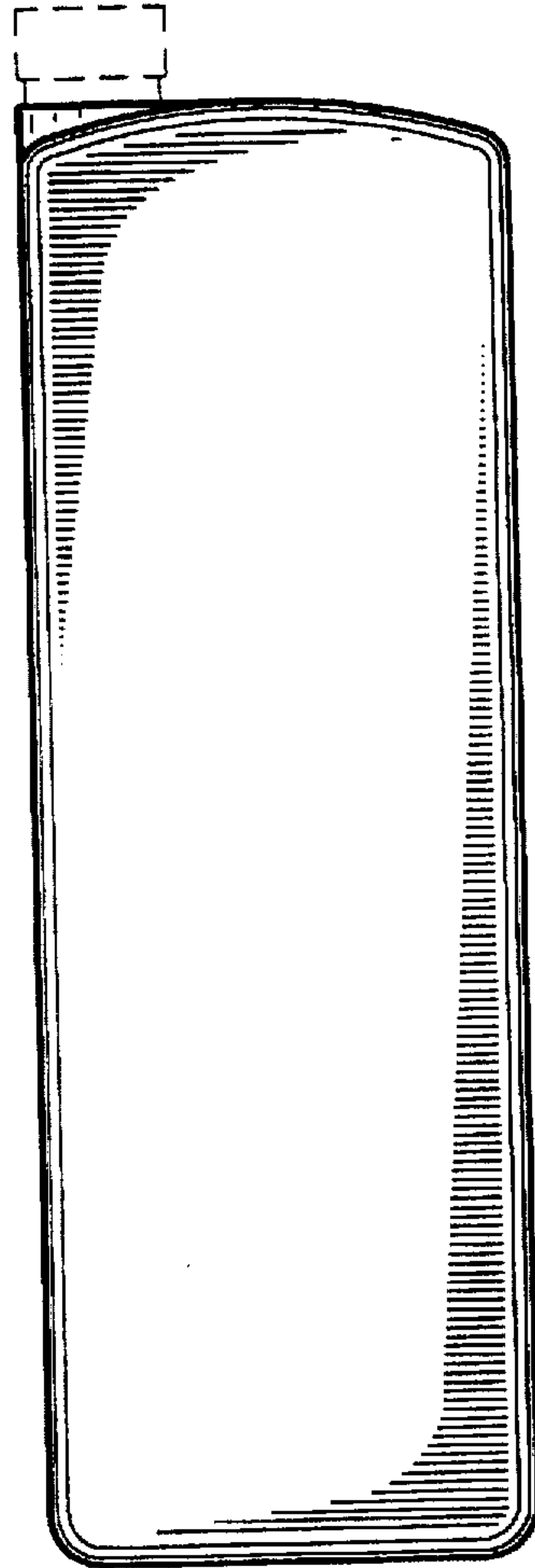
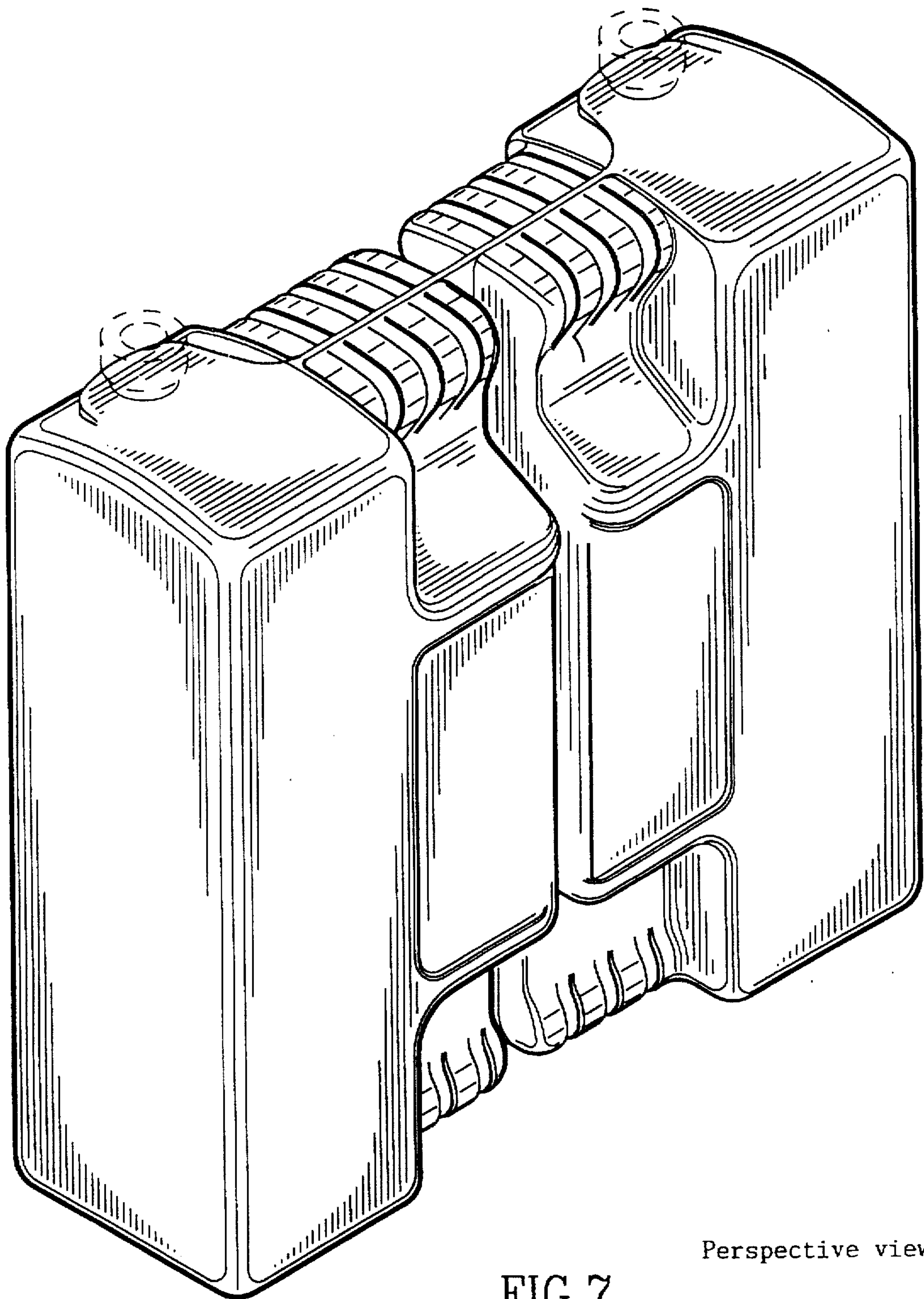


FIG. 6

Left side view





Perspective view

FIG.7