



US00D394798S

United States Patent [19]
Merrick

[11] **Patent Number: Des. 394,798**
[45] **Date of Patent: **Jun. 2, 1998**

[54] **GROMMET FOR USE IN A METAL STUD**

D. 364,084 11/1995 Yaich D8/356

[75] **Inventor: Richard J. Merrick, Grand Island, Nebr.**

*Primary Examiner—Holly Baynham
Attorney, Agent, or Firm—Frost & Jacobs*

[73] **Assignee: Merrick Machine Co., Alda, Nebr.**

[57] **CLAIM**

[**] **Term: 14 Years**

The ornamental design for a grommet for use in a metal stud, as shown and described.

[21] **Appl. No.: 59,582**

DESCRIPTION

[22] **Filed: Sep. 13, 1996**

[51] **LOC (6) Cl. 08-05**

[52] **U.S. Cl. D8/356**

[58] **Field of Search D8/356; 248/56;
174/153 G**

FIG. 1 is a top, right side perspective view of the grommet of the present invention showing my new design;
FIG. 2 is a front elevational view thereof;
FIG. 3 is a right side elevational view thereof;
FIG. 4 is a left side elevational view thereof;
FIG. 5 is a top plan view thereof; and,
FIG. 6 is a bottom plan view thereof.

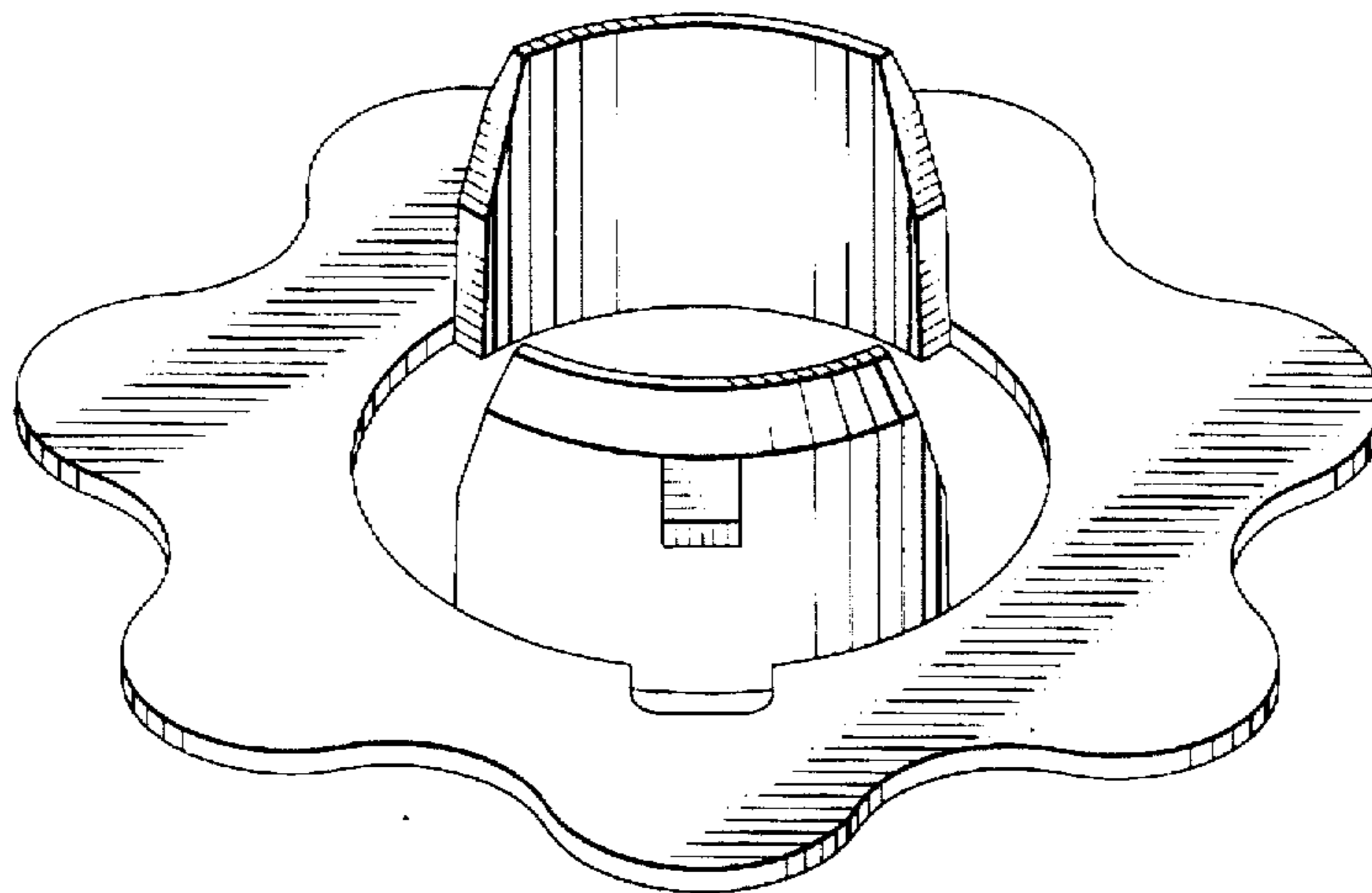
The bottom view of the grommet of the present invention is a mirror image of the top view of FIG. 5.

[56] **References Cited**

U.S. PATENT DOCUMENTS

D. 50,435 3/1917 Stimpson D8/356
D. 324,488 3/1992 Fujimoto D8/356

1 Claim, 3 Drawing Sheets



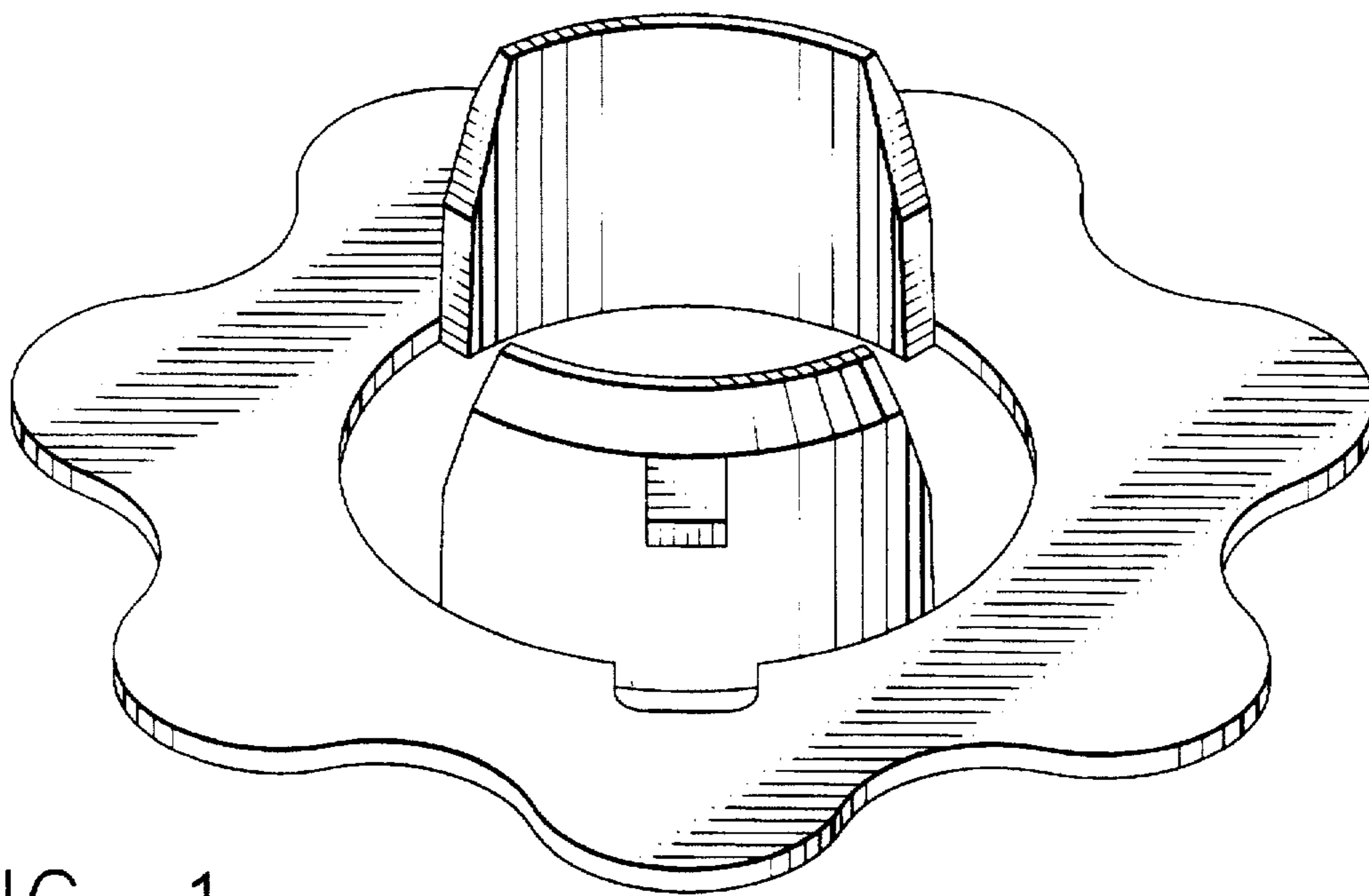


FIG. 1

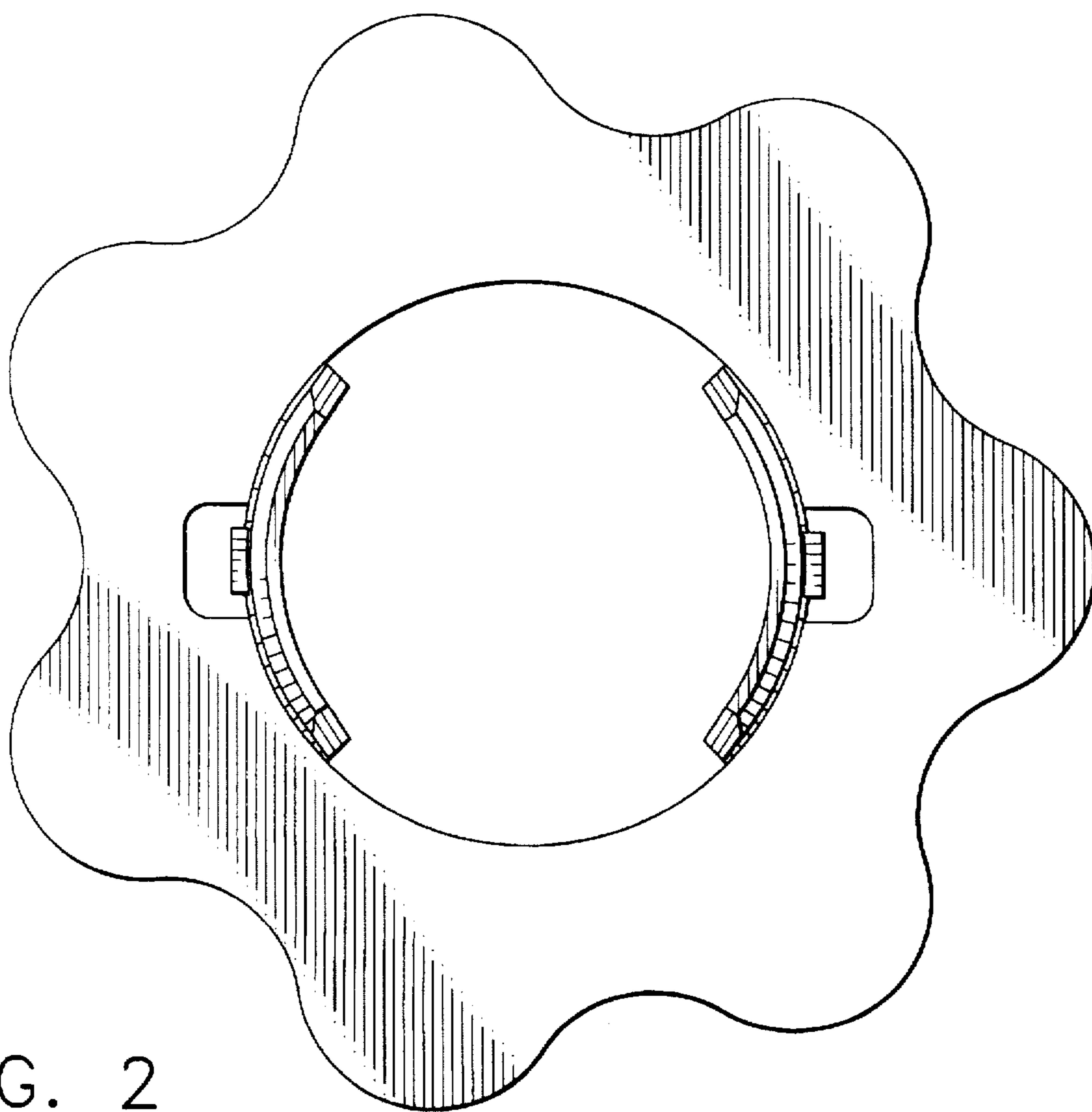


FIG. 2

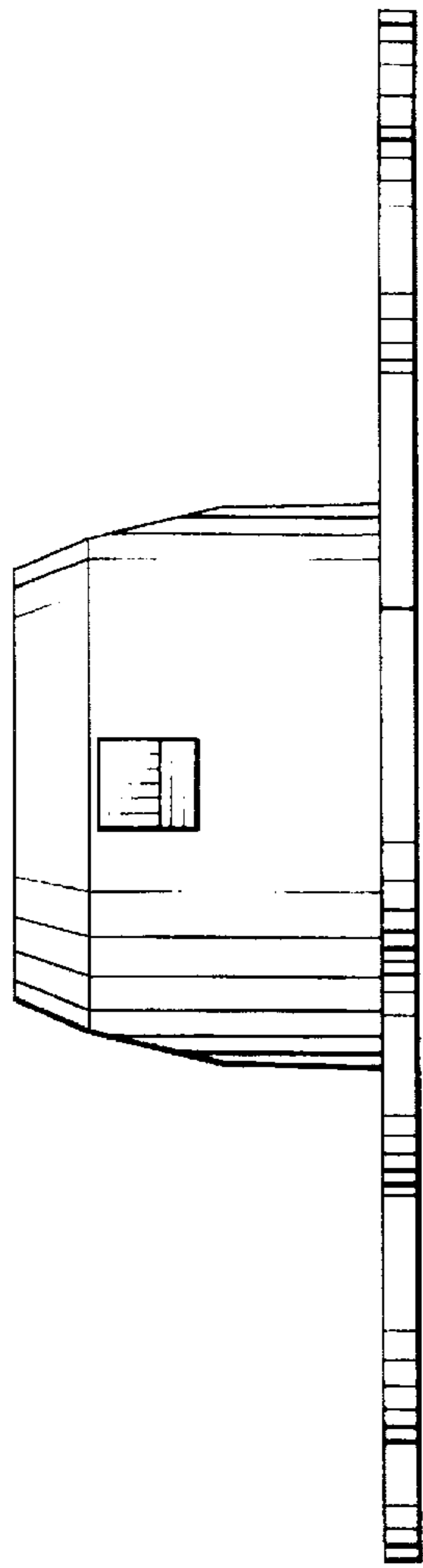


FIG. 3

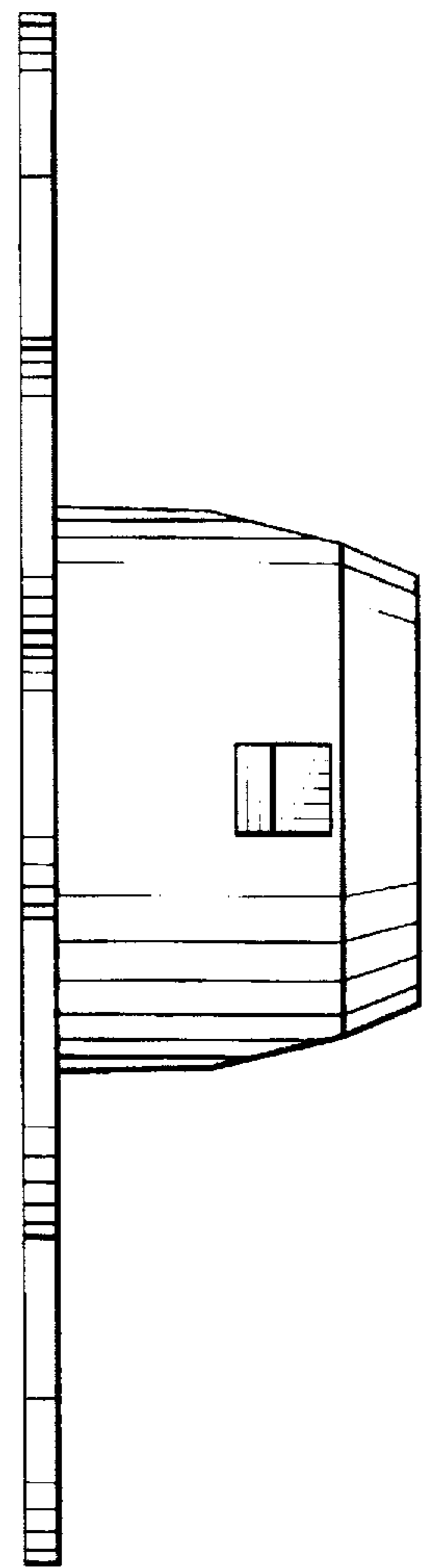


FIG. 4

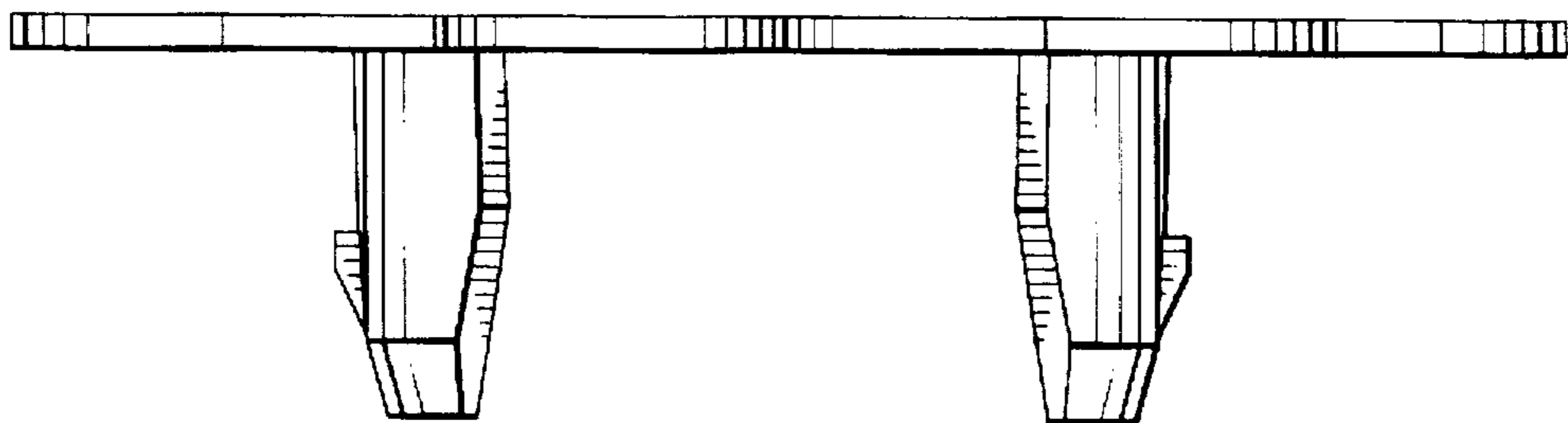


FIG. 5

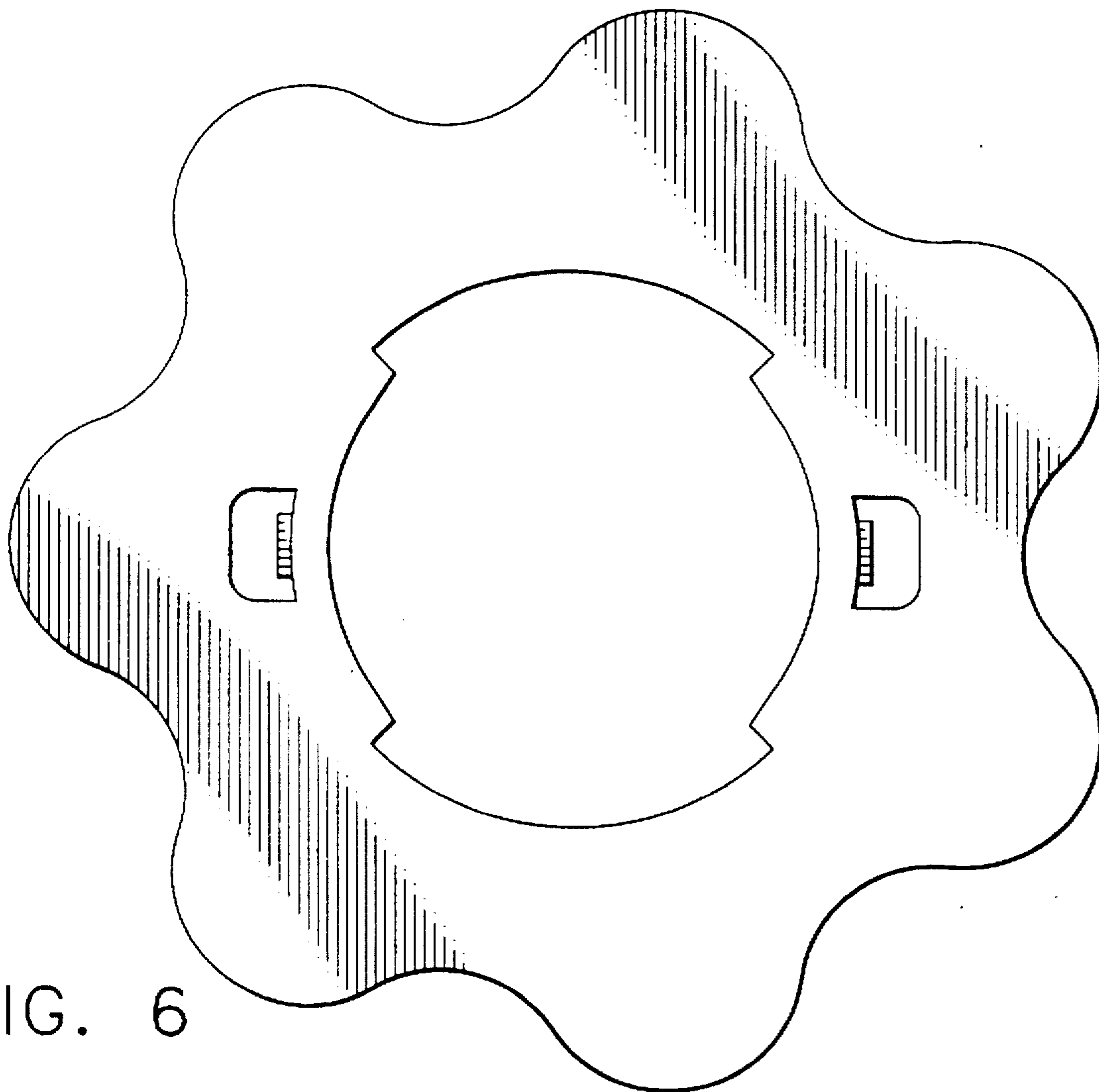


FIG. 6