

US00D394796S

# United States Patent [19]

Alford et al.

[11] Patent Number: **Des. 394,796**

[45] Date of Patent: **\*\*Jun. 2, 1998**

[54] **GATE LATCH**

4,592,578 6/1986 Martin ..... 292/14 X

[76] Inventors: **Pamela J. Alford**, Rte. 2, Box 1775;  
**Richard D. Jackson**, P.O. Box 119,  
both of Marble Hill, Mo. 63764

*Primary Examiner*—Brian N. Vinson  
*Attorney, Agent, or Firm*—Grace J. Fishel

[\*\*] Term: **14 Years**

[57] **CLAIM**

The ornamental design for a gate latch, as shown.

[21] Appl. No.: **57,087**

**DESCRIPTION**

[22] Filed: **Jul. 16, 1996**

FIG. 1 is a perspective view of a gate latch showing our new design;

[51] **LOC (6) Cl.** ..... **08-07**

FIG. 2A is a front view thereof as viewed in FIG. 1;

[52] **U.S. Cl.** ..... **D8/331**

FIG. 2B is a front view thereof the latch shown in alternate position;

[58] **Field of Search** ..... D8/330, 331, 336,  
D8/338, 339, 391; 292/2, 14, 32, 44, 63,  
57, 340

FIG. 3 is a top view thereof;

FIG. 4 is a side view thereof;

FIG. 5 is a bottom view thereof; and,

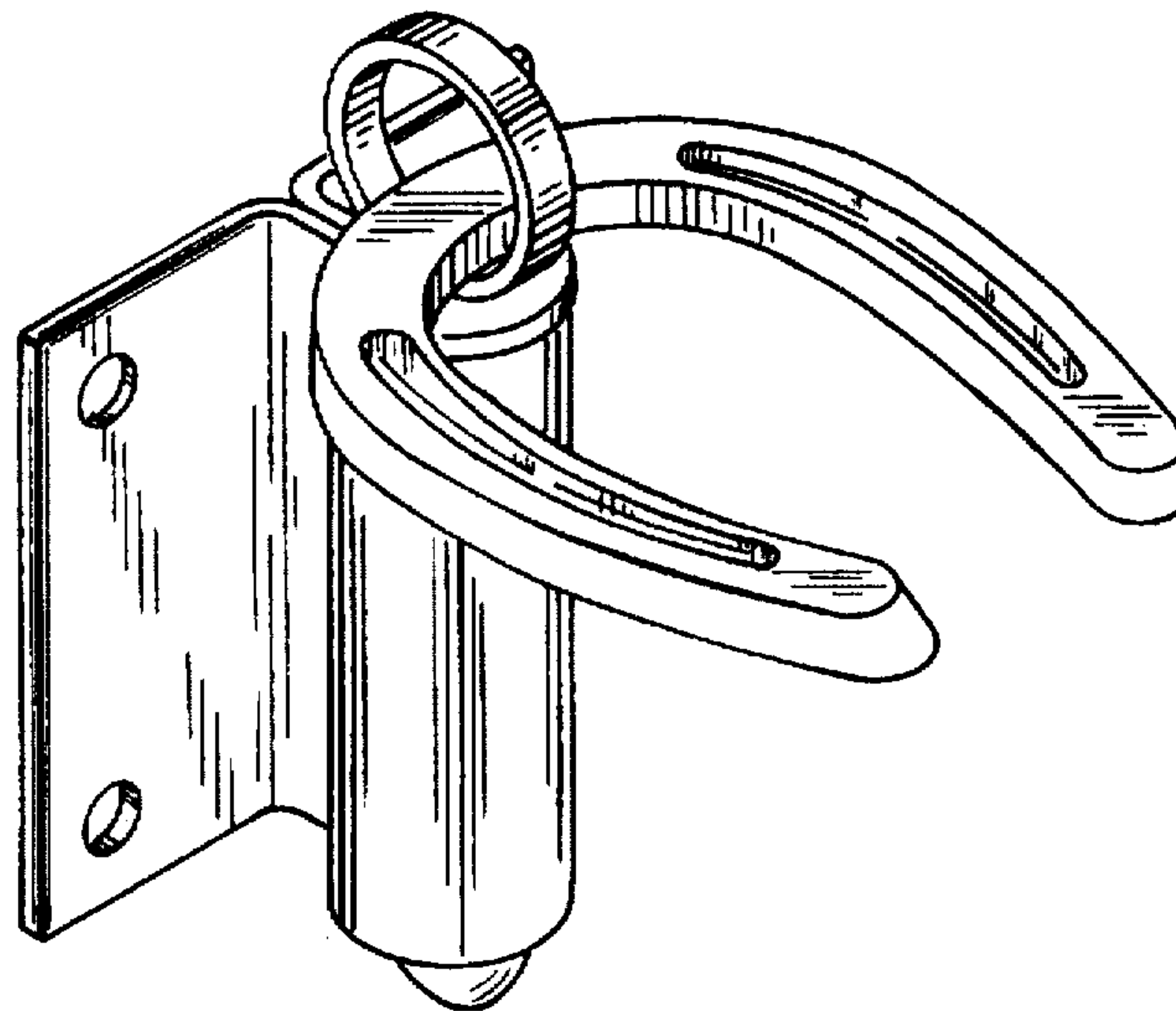
FIG. 6 is a rear view thereof.

[56] **References Cited**

**U.S. PATENT DOCUMENTS**

3,891,254 6/1975 Lile ..... 292/32 X

**1 Claim, 2 Drawing Sheets**



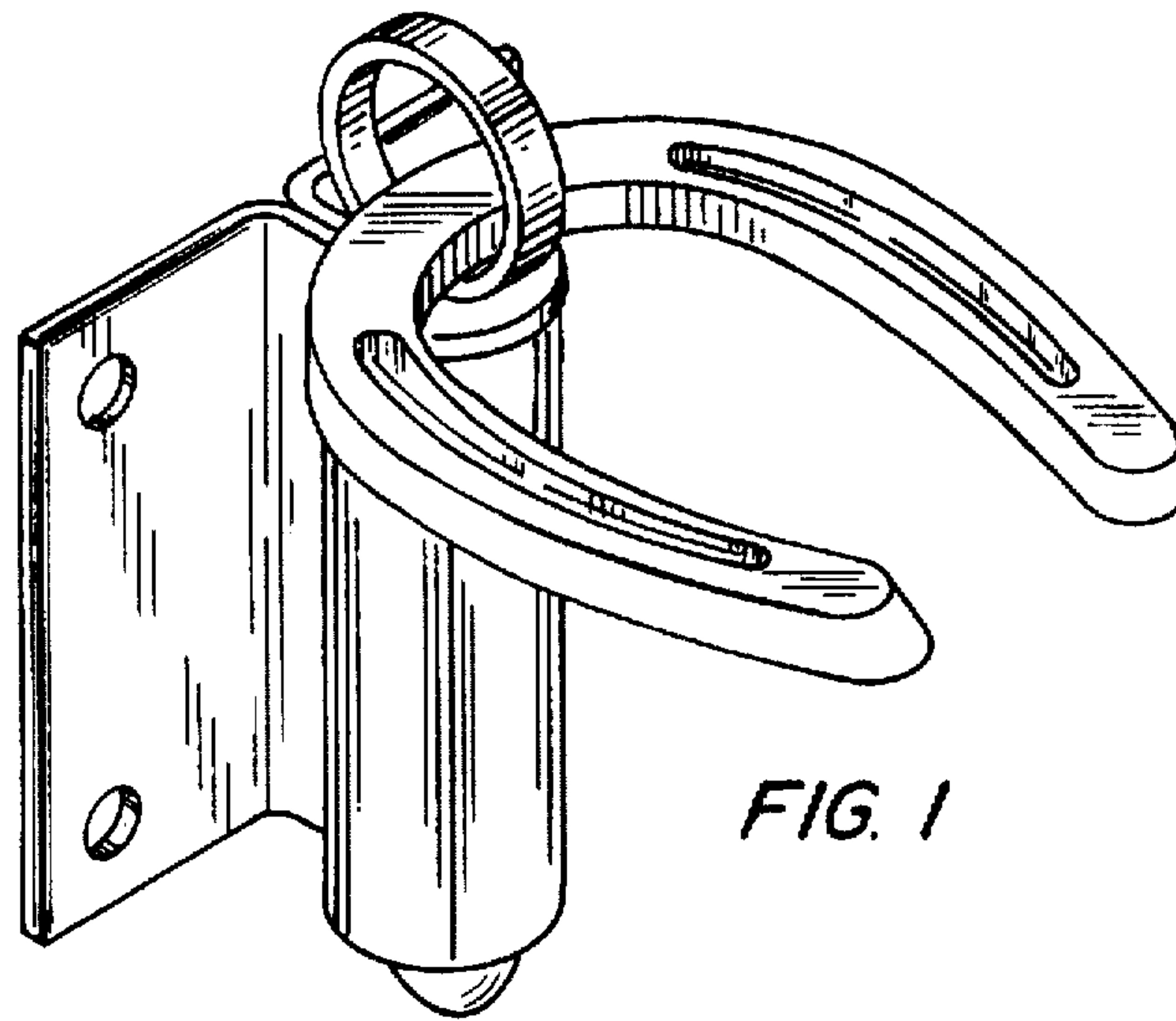


FIG. 1

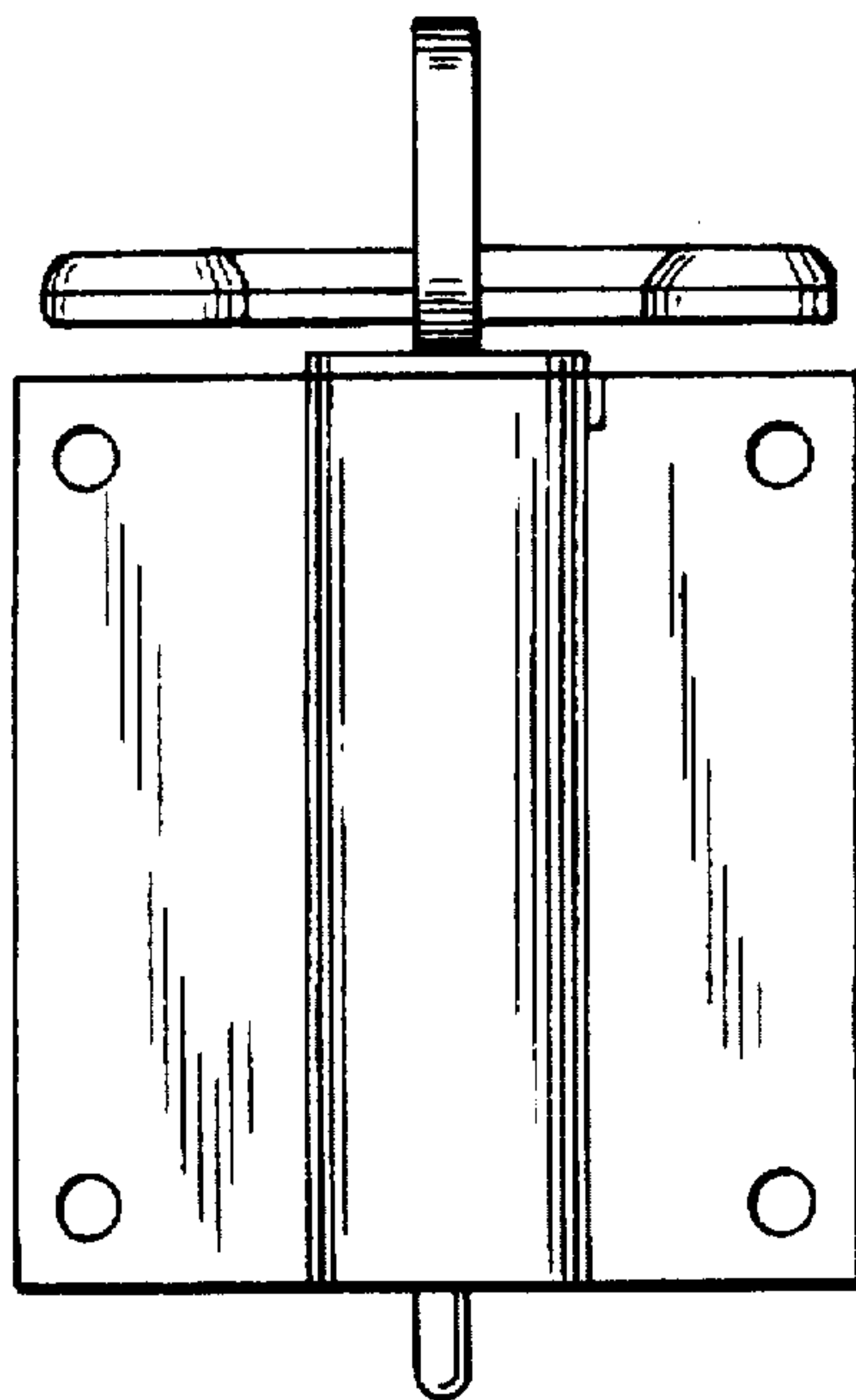


FIG. 2A

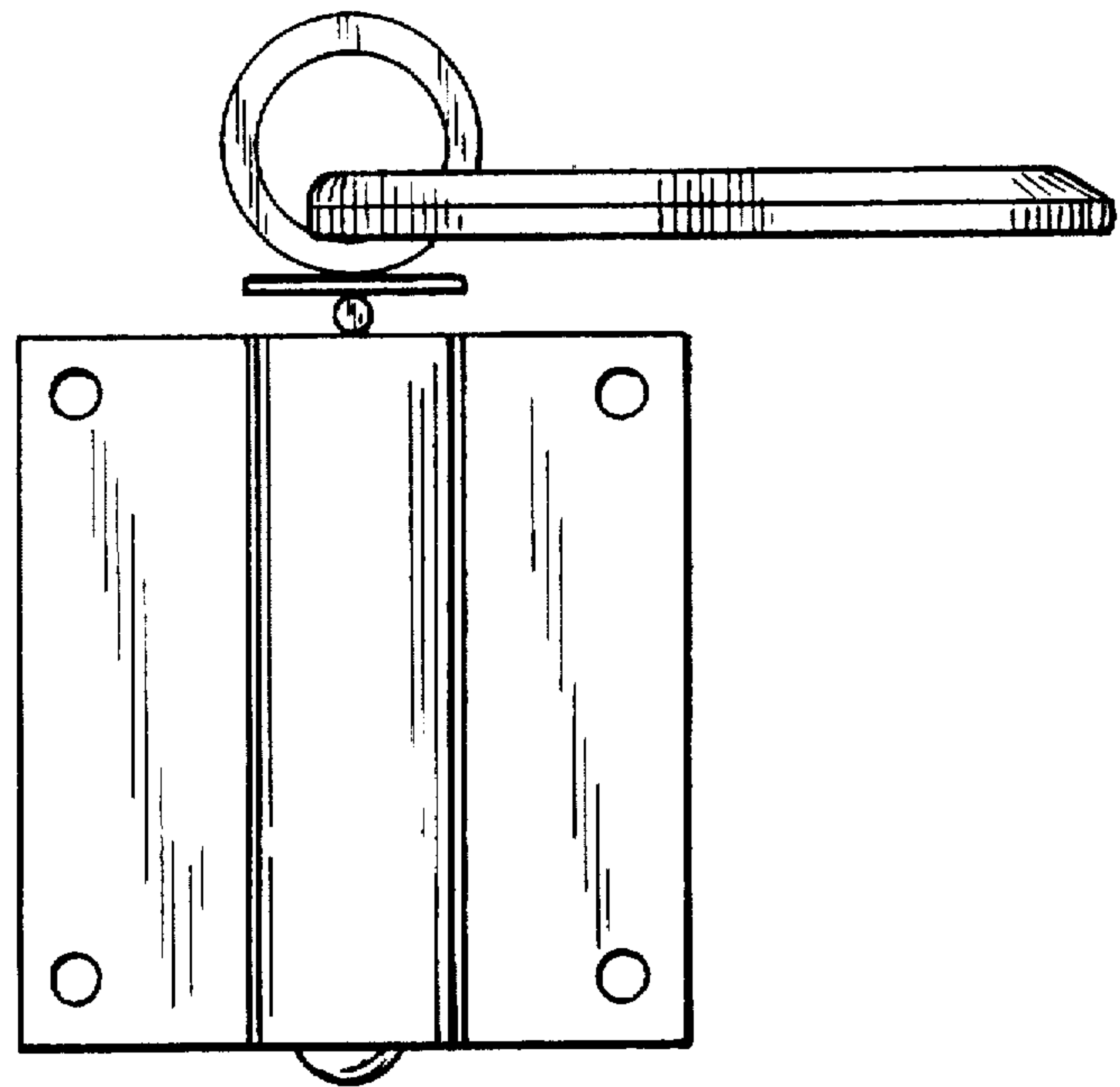


FIG. 2B

FIG. 3

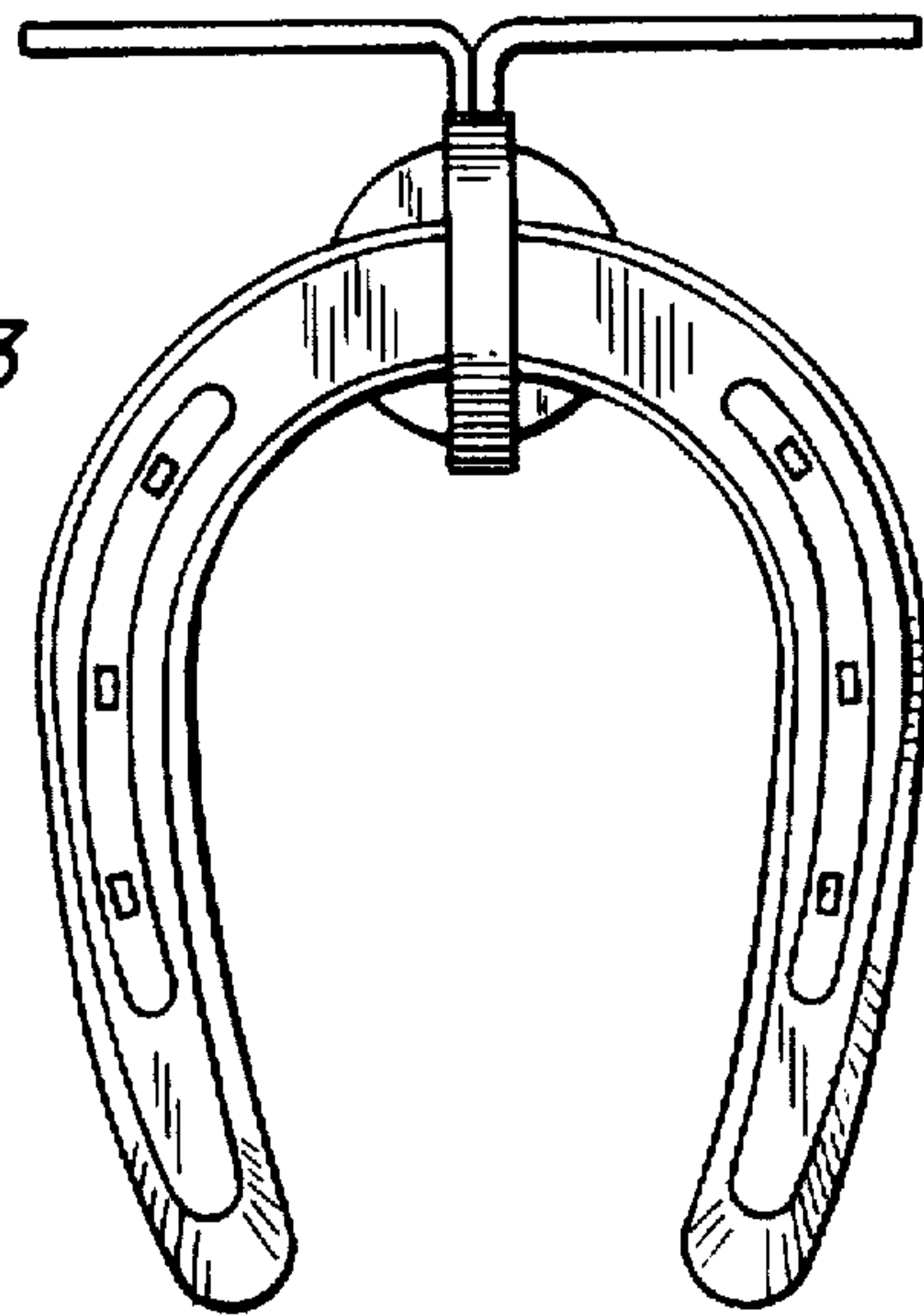


FIG. 4

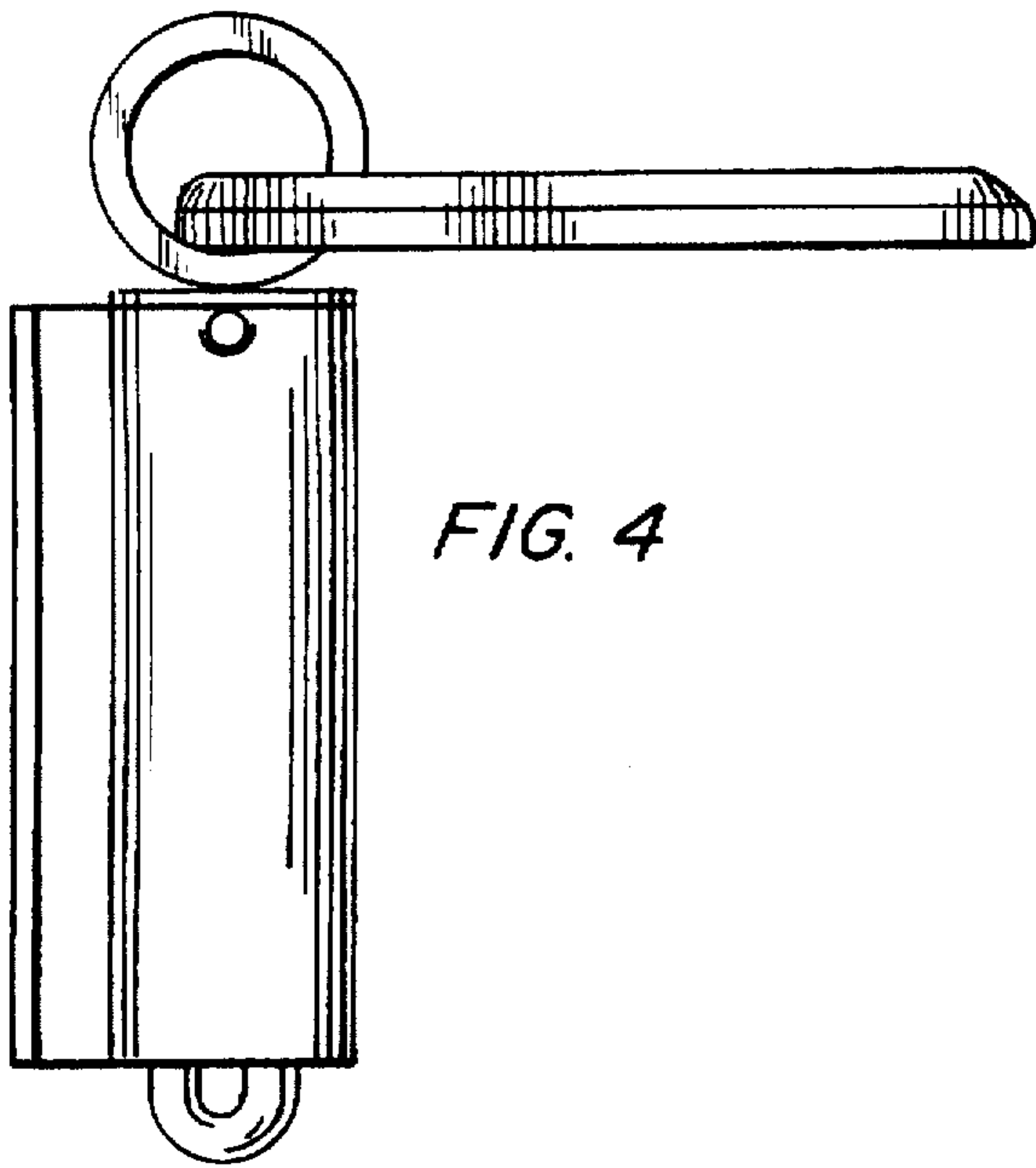


FIG. 5

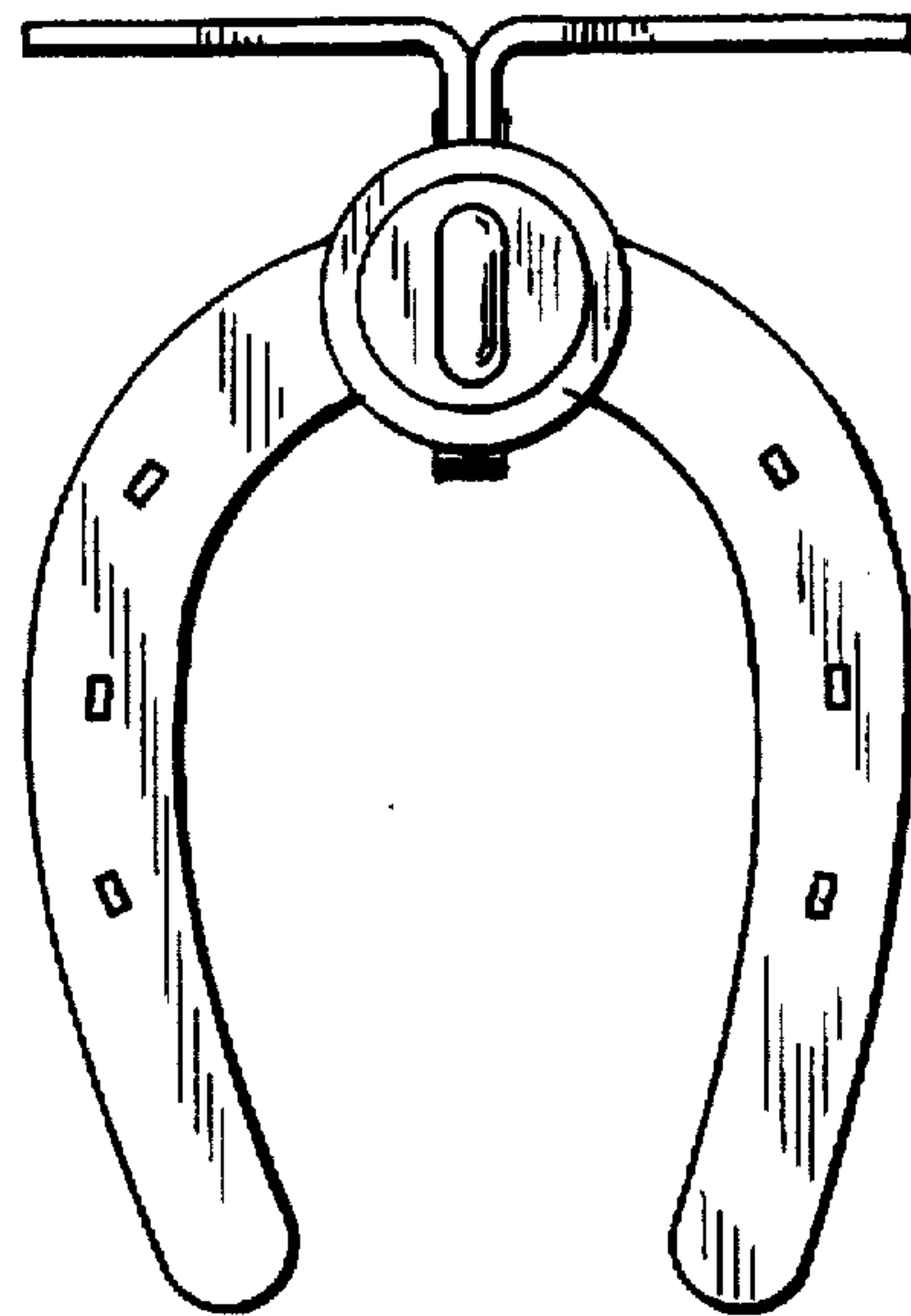


FIG. 6

