



US00D394794S

United States Patent [19]

Vasudeva

[11] Patent Number: **Des. 394,794**

[45] Date of Patent: ****Jun. 2, 1998**

[54] **TOOL HANDLE**

[75] Inventor: **Kailash C. Vasudeva**, Waterloo, Canada

[73] Assignee: **Maxtech Manufacturing Inc.**, Waterloo, Canada

[**] Term: **14 Years**

[21] Appl. No.: **70,772**

[22] Filed: **May 15, 1997**

[51] LOC (6) Cl. **08-05**

[52] U.S. Cl. **D8/107; D8/DIG. 7; D8/83**

[58] Field of Search D8/10, 82, 83, D8/90, 94, 97, 107, DIG. 7, DIG. 1; D4/129, 138; D3/12; 81/177.1, 177.2, 436-440, 489, 460; 16/110 R, 111 R, 114 R, 116 R; 279/83, 93

[56] **References Cited**

U.S. PATENT DOCUMENTS

- D. 377,444 1/1997 Lin D8/107
- D. 378,797 4/1997 Poremba et al. D8/107

- 2,346,364 4/1944 Dowe 81/177.1
- 3,672,419 6/1972 Fischer 81/460
- 4,060,115 11/1977 Bocanegra Marquina 81/436
- 4,787,276 11/1988 Condon 81/177.1

FOREIGN PATENT DOCUMENTS

- 2339320 8/1977 France 81/177.1

Primary Examiner—Martie Thompson
Attorney, Agent, or Firm—R. Craig Armstrong

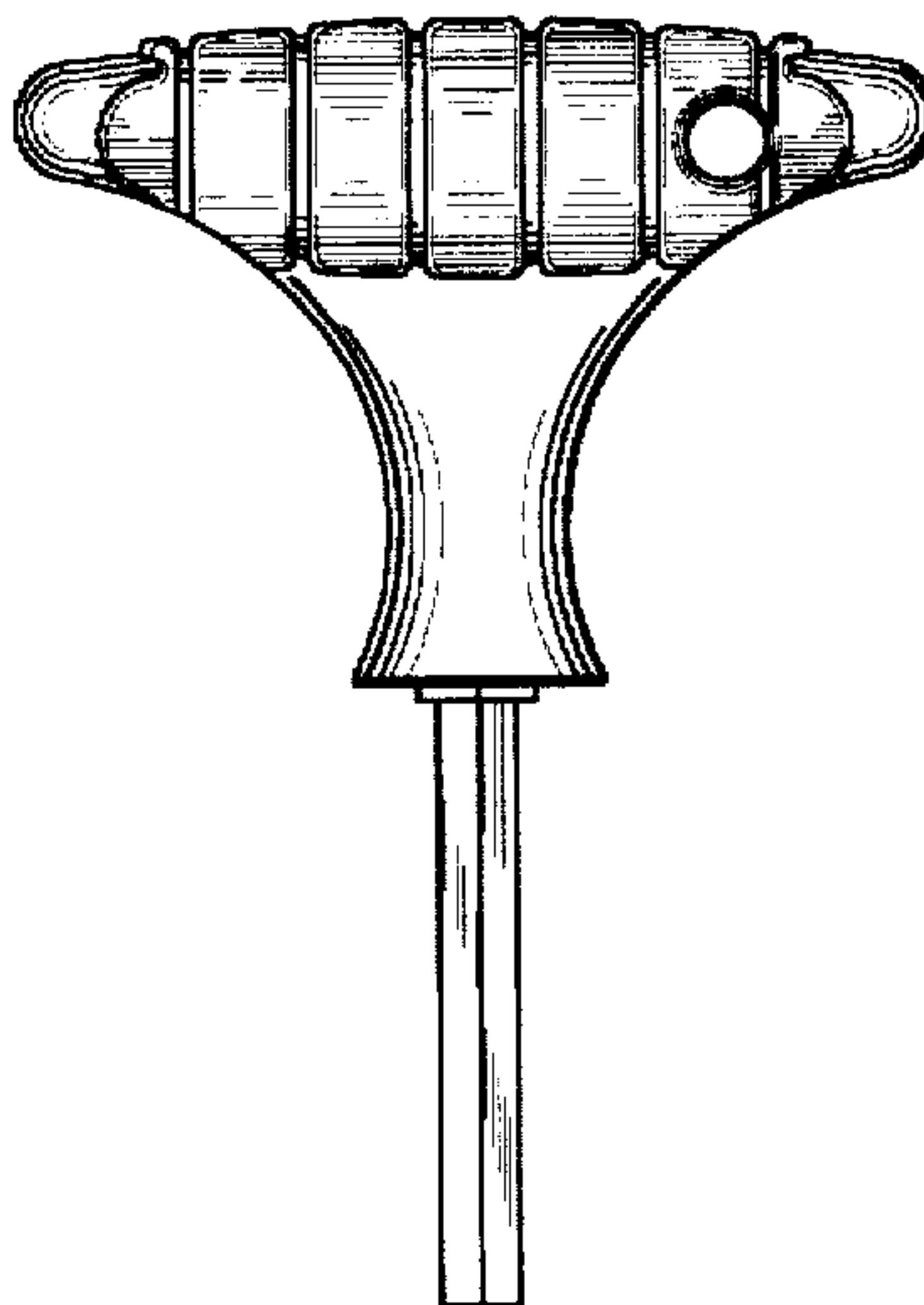
[57] **CLAIM**

The ornamental design for a tool handle, as shown.

DESCRIPTION

FIG. 1 is a perspective view of a tool handle showing my new design;
 FIG. 2 is a top plan view;
 FIG. 3 is a side elevational view;
 FIG. 4 is a front elevational view;
 FIG. 5 is a bottom plan view;
 FIG. 6 is a rear elevational view; and,
 FIG. 7 is a side elevational view of the side opposite that shown in FIG. 3.

1 Claim, 3 Drawing Sheets



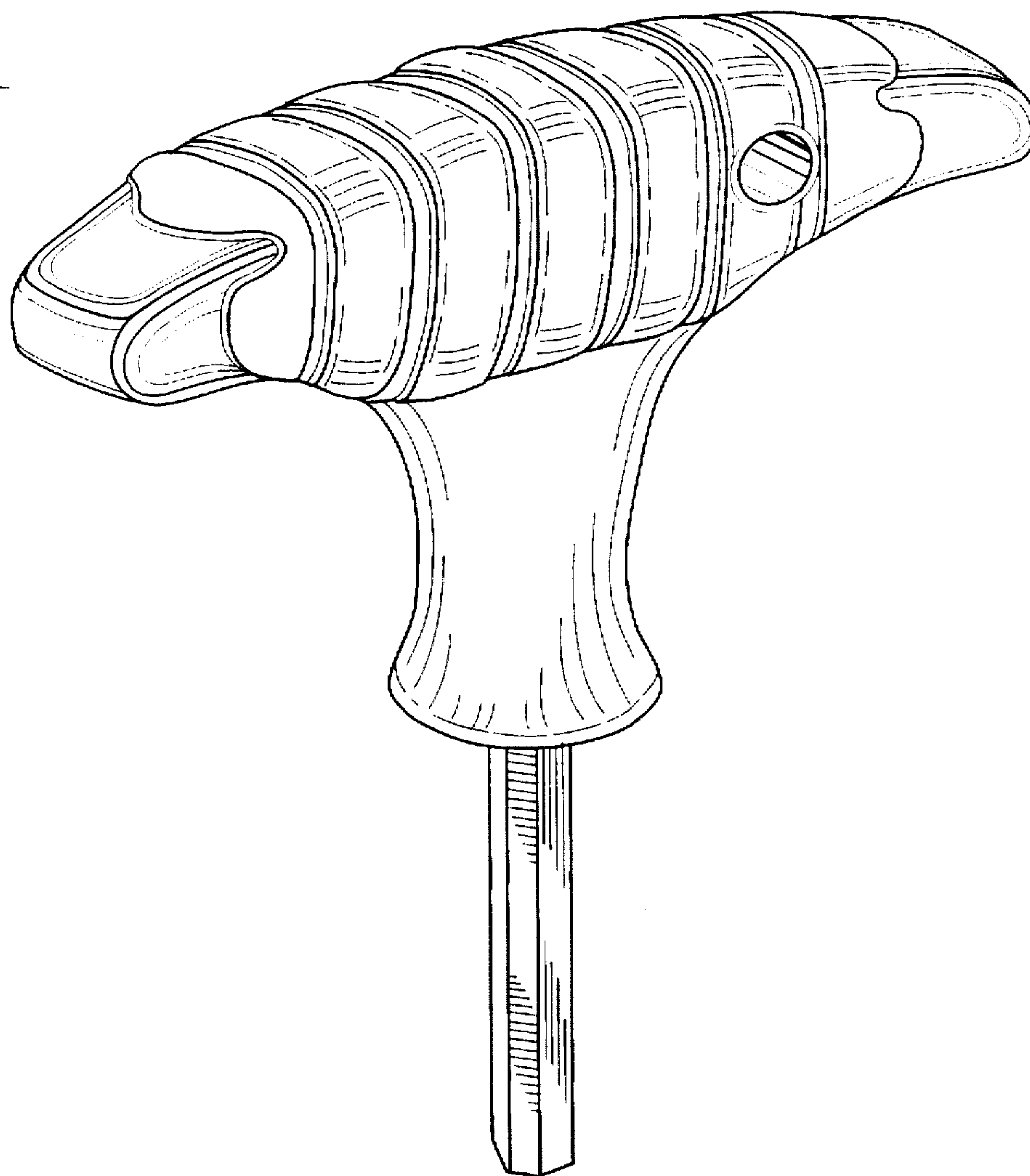


FIG. 1

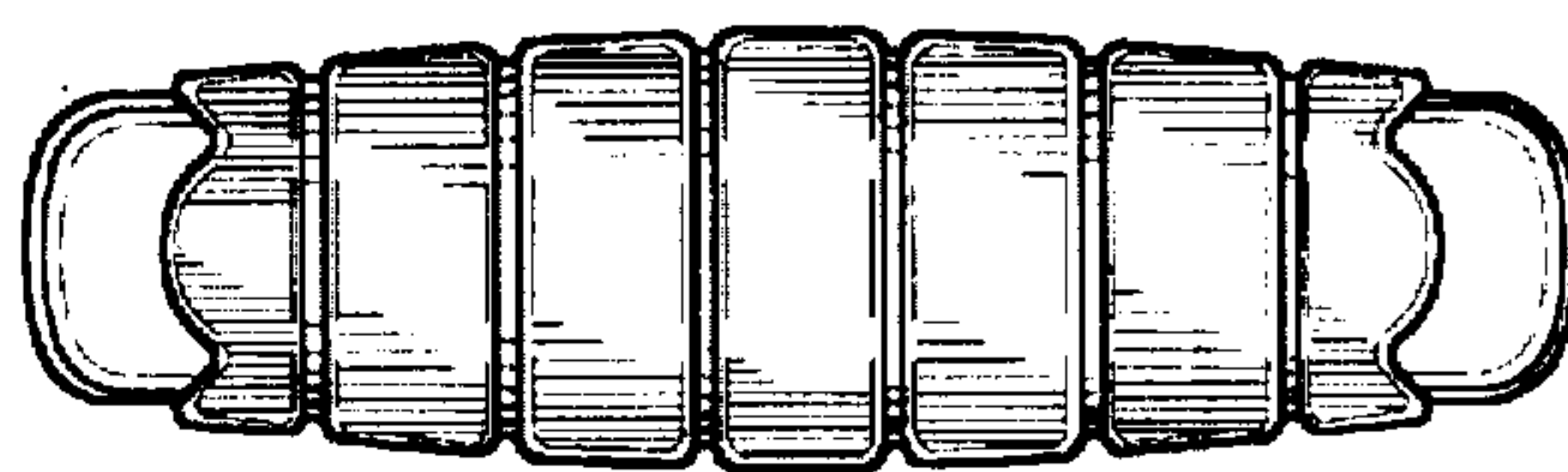


FIG. 2

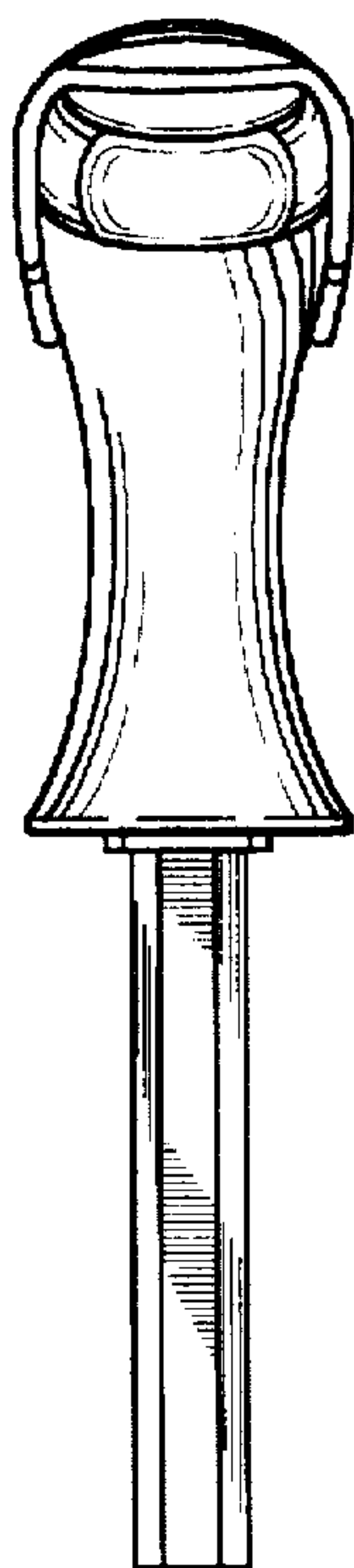


FIG. 3

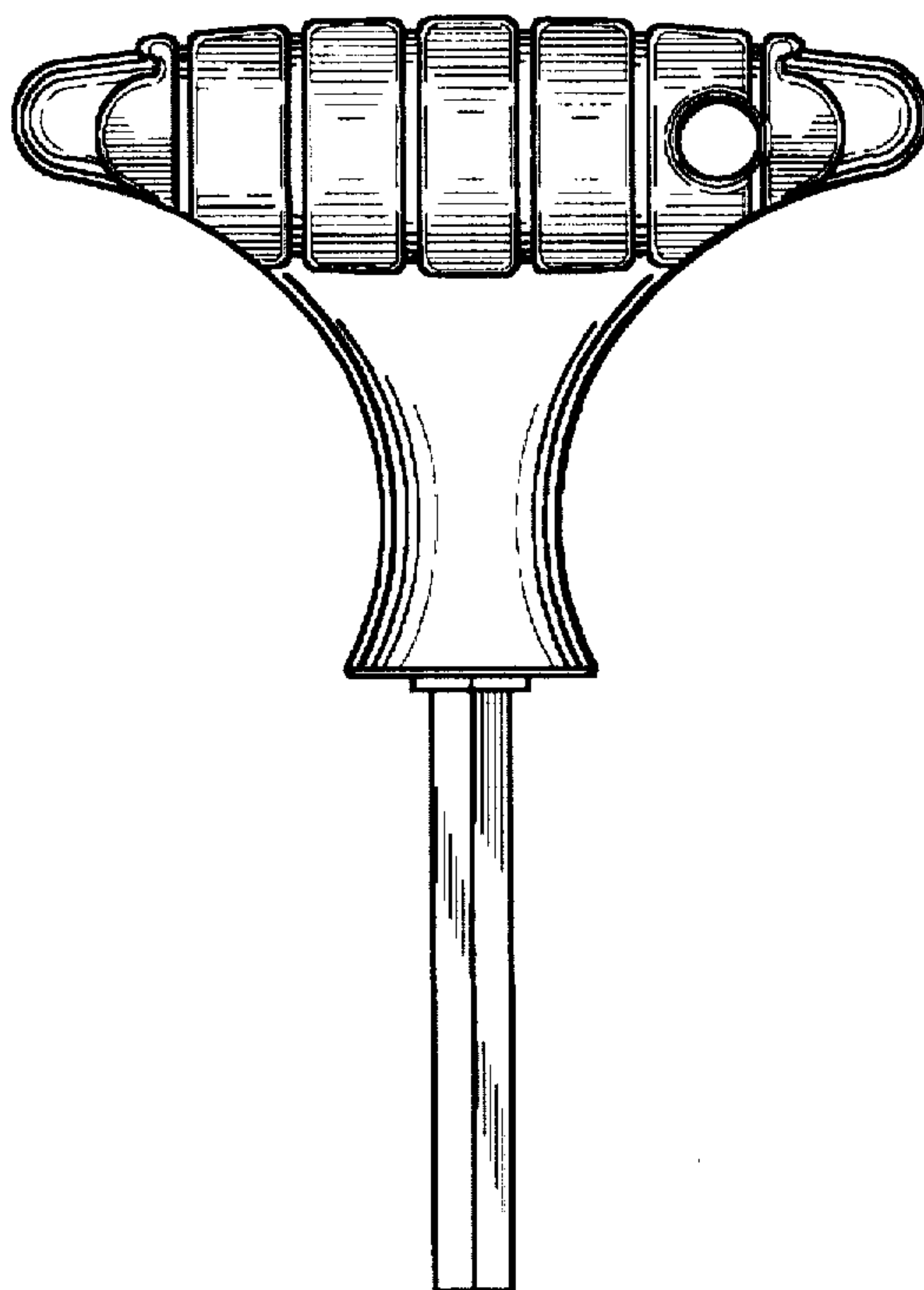


FIG. 4

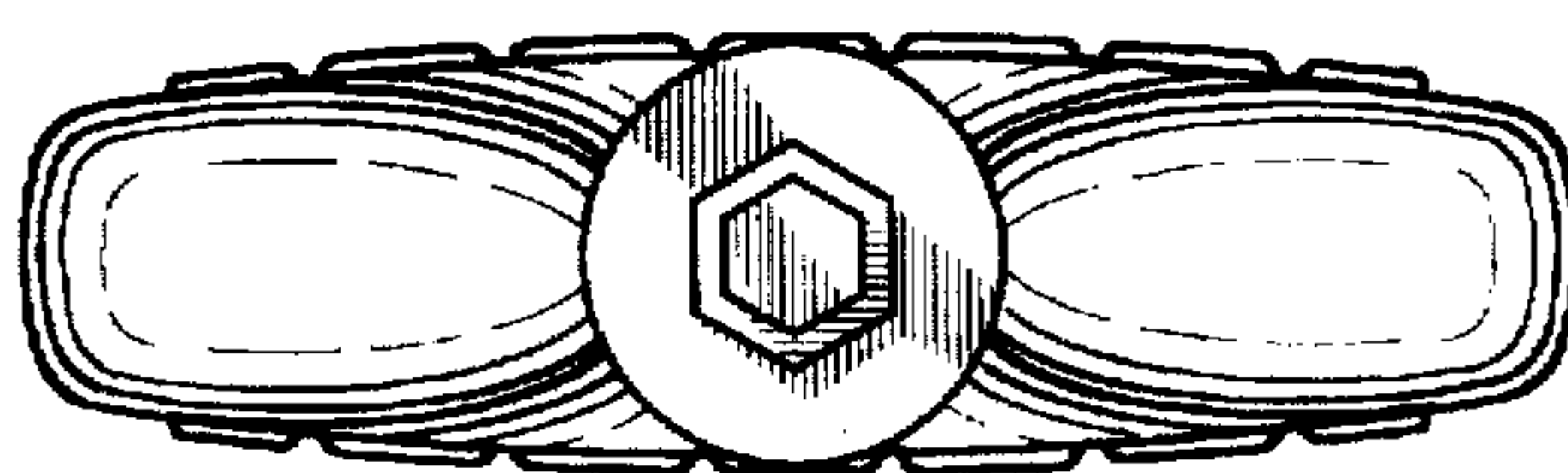


FIG. 5

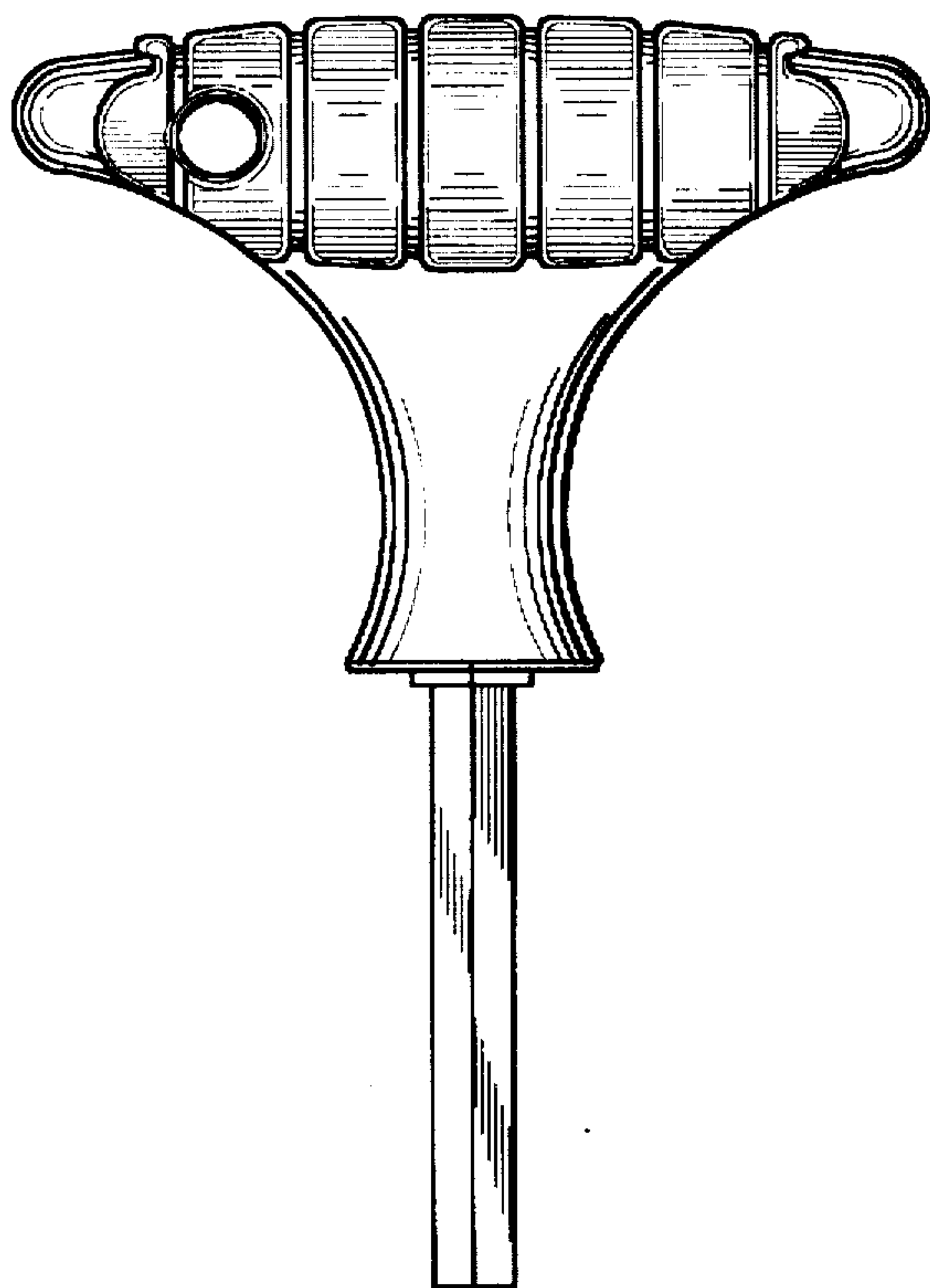


FIG. 6

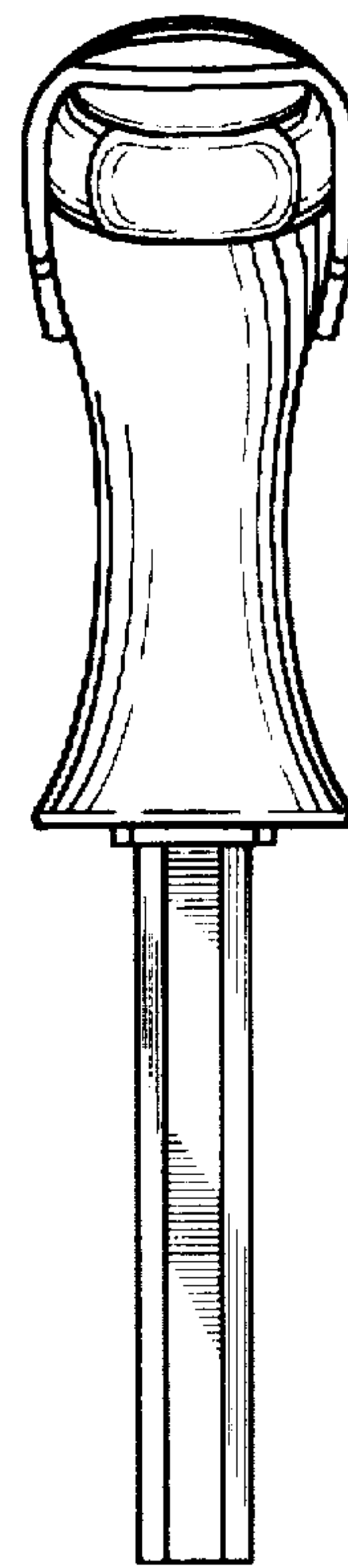


FIG. 7