



US00D394793S

United States Patent [19]
Ma

[11] **Patent Number:** **Des. 394,793**
[45] **Date of Patent:** ****Jun. 2, 1998**

[54] **MULTI-PURPOSE TOOL**

4277 11/1902 United Kingdom .
12484 11/1904 United Kingdom .

[76] **Inventor:** **James W. Ma**, 98 Fleetwood Dr.,
Glendale Heights, Ill. 60139

Primary Examiner—Philip S. Hyder
Attorney, Agent, or Firm—Fitch, Even, Tabin & Flannery

[**] **Term:** **14 Years**

[57] **CLAIM**

[21] **Appl. No.:** **49,163**

The ornamental design for a multi-purpose tool, as shown and described.

[22] **Filed:** **Jan. 19, 1996**

DESCRIPTION

[51] **LOC (6) Cl.** **08-04**

[52] **U.S. Cl.** **D8/105**

[58] **Field of Search** D8/21, 22, 85,
D8/105; 7/165, 138; 81/440, 436, 437,
177.6, 177.1, 439

FIG. 1 is a perspective view of the multi-purpose tool according to my new design showing a phillips head driver and a flat blade driver at one end of the tool and a box-wrench opening formed at the other end;

FIG. 2 is a right side elevational view of the multi-purpose tool of FIG. 1;

FIG. 3 is a left side elevational view of the multi-purpose tool of FIG. 1;

FIG. 4 is a bottom plan view of the multi-purpose tool of FIG. 1;

FIG. 5 is a top plan view of the multi-purpose tool of FIG. 1;

FIG. 6 is a rear elevational view of the multi-purpose tool of FIG. 1;

FIG. 7 is a front elevational view of the multi-purpose tool of FIG. 1;

FIG. 8 is a perspective view of the multi-purpose tool of FIG. 1 in an operative position with the phillips head driver extended beyond the flat blade driver and the box wrench opening enlarged; and,

FIG. 9 is a perspective view of the multi-purpose tool of FIG. 1 in another operative position with the flat blade driver extending beyond the phillips head driver and the box wrench opening reduced in size.

[56] **References Cited**

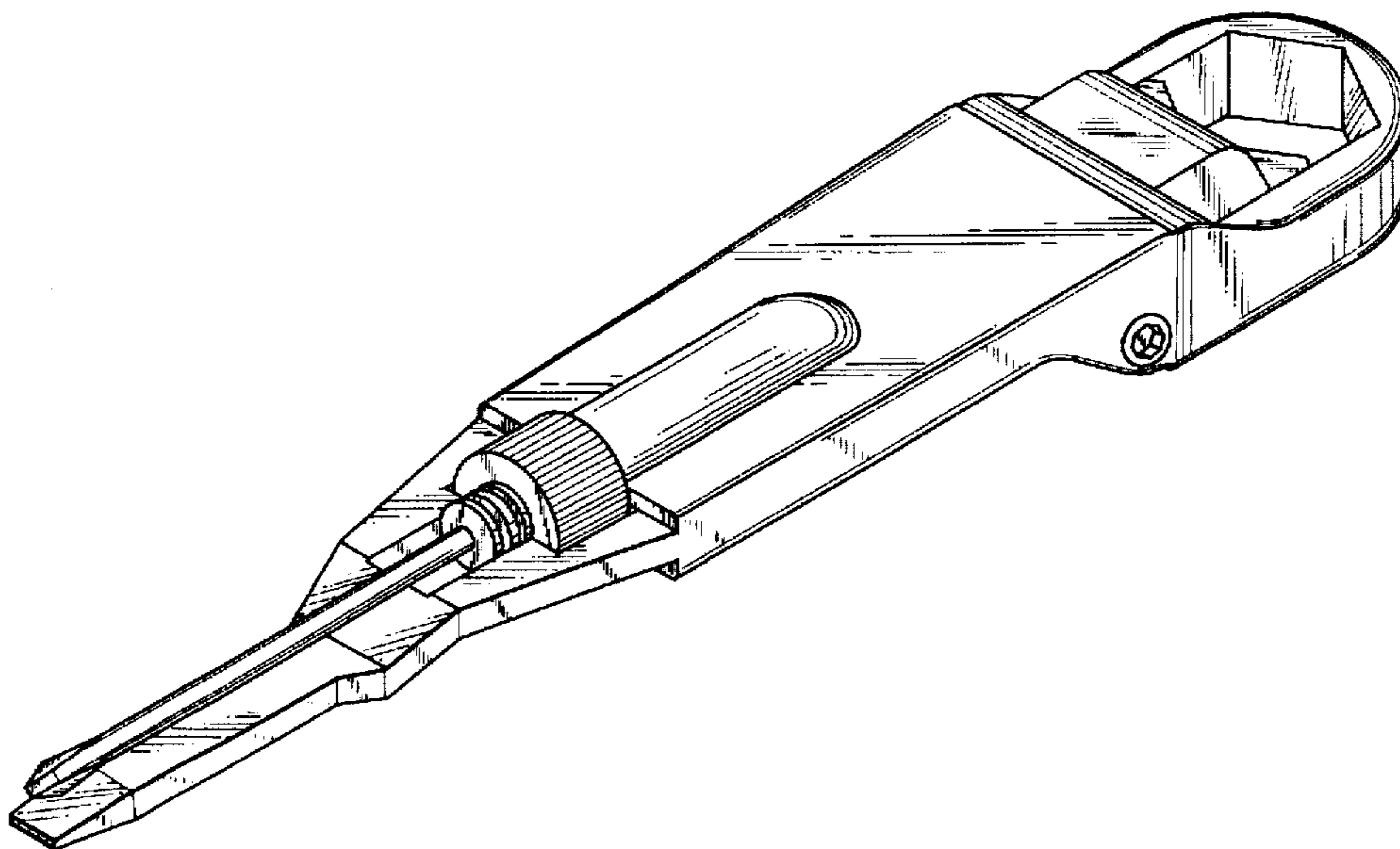
U.S. PATENT DOCUMENTS

D. 167,058	6/1952	Rhodes	D8/85
D. 239,759	5/1976	Glantz	D8/22
D. 303,916	10/1989	Colvin	D8/22
D. 304,669	11/1989	Boyd et al.	D8/22
D. 374,389	10/1996	Lin	D8/105
509,151	11/1893	Dicks	.	
1,321,187	11/1919	Brower	.	
2,912,891	11/1959	Neff	81/187
3,363,490	1/1968	Maichen	81/77
3,370,307	2/1968	Beeks	7/165
4,787,275	11/1988	Colvin	81/77
4,811,637	3/1989	McCleary	81/177.2
5,218,891	6/1993	Olson et al.	81/125.1
5,218,892	6/1993	Napoli	81/440
5,313,860	5/1994	Liou	7/165

FOREIGN PATENT DOCUMENTS

96785	4/1898	Germany	.
424577	1/1926	Germany	.
551492	6/1932	Germany	.

1 Claim, 6 Drawing Sheets



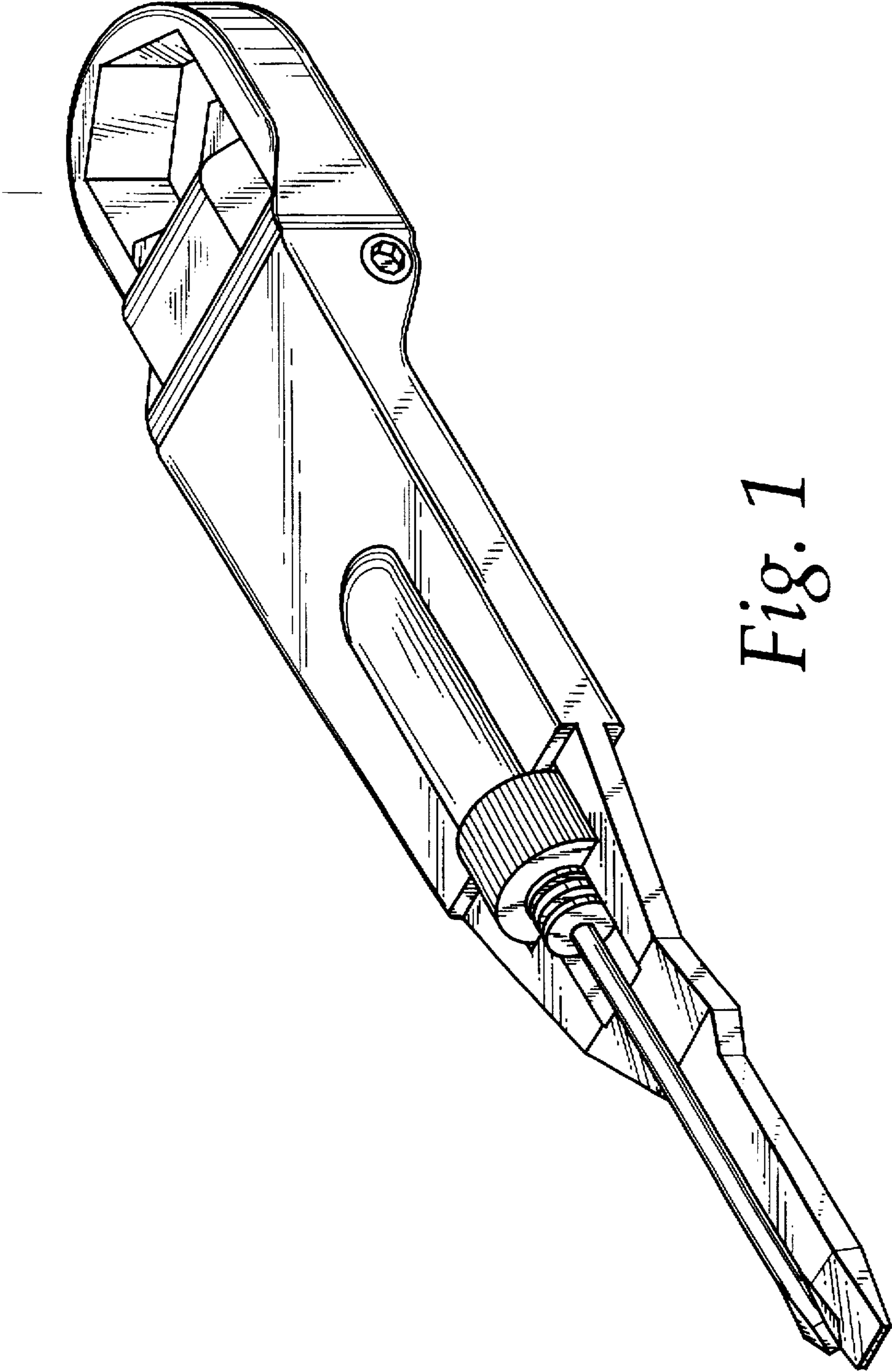


Fig. 1

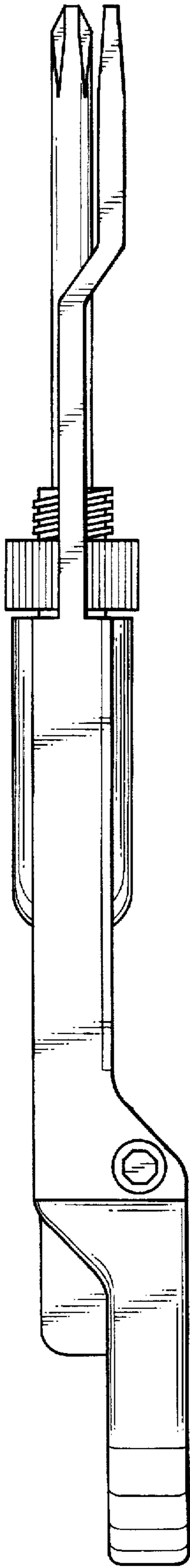


Fig. 2

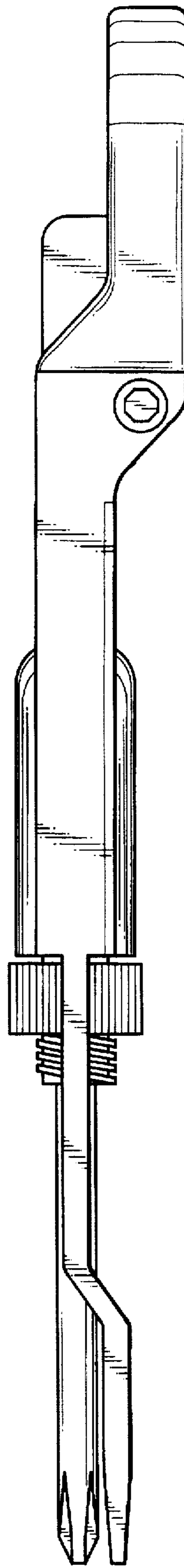


Fig. 3

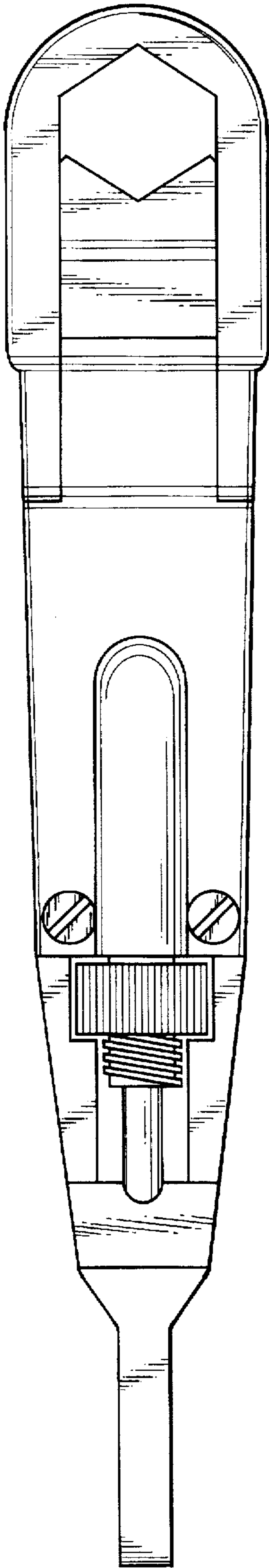


Fig. 4

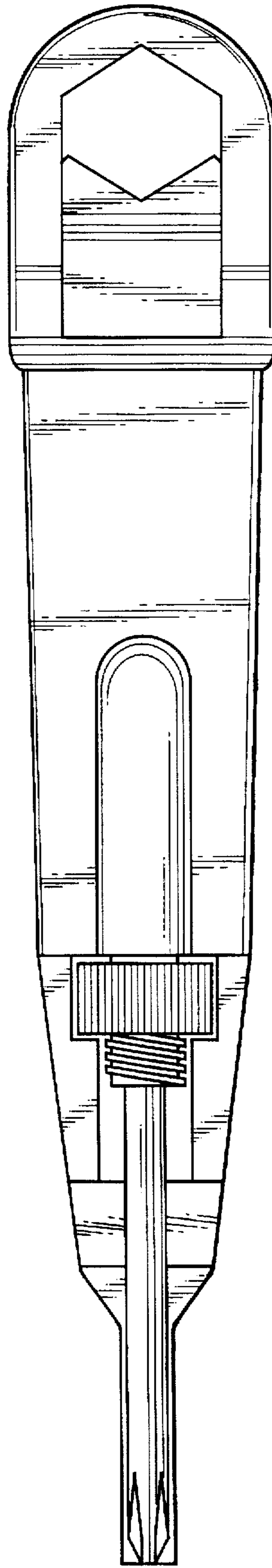


Fig. 5

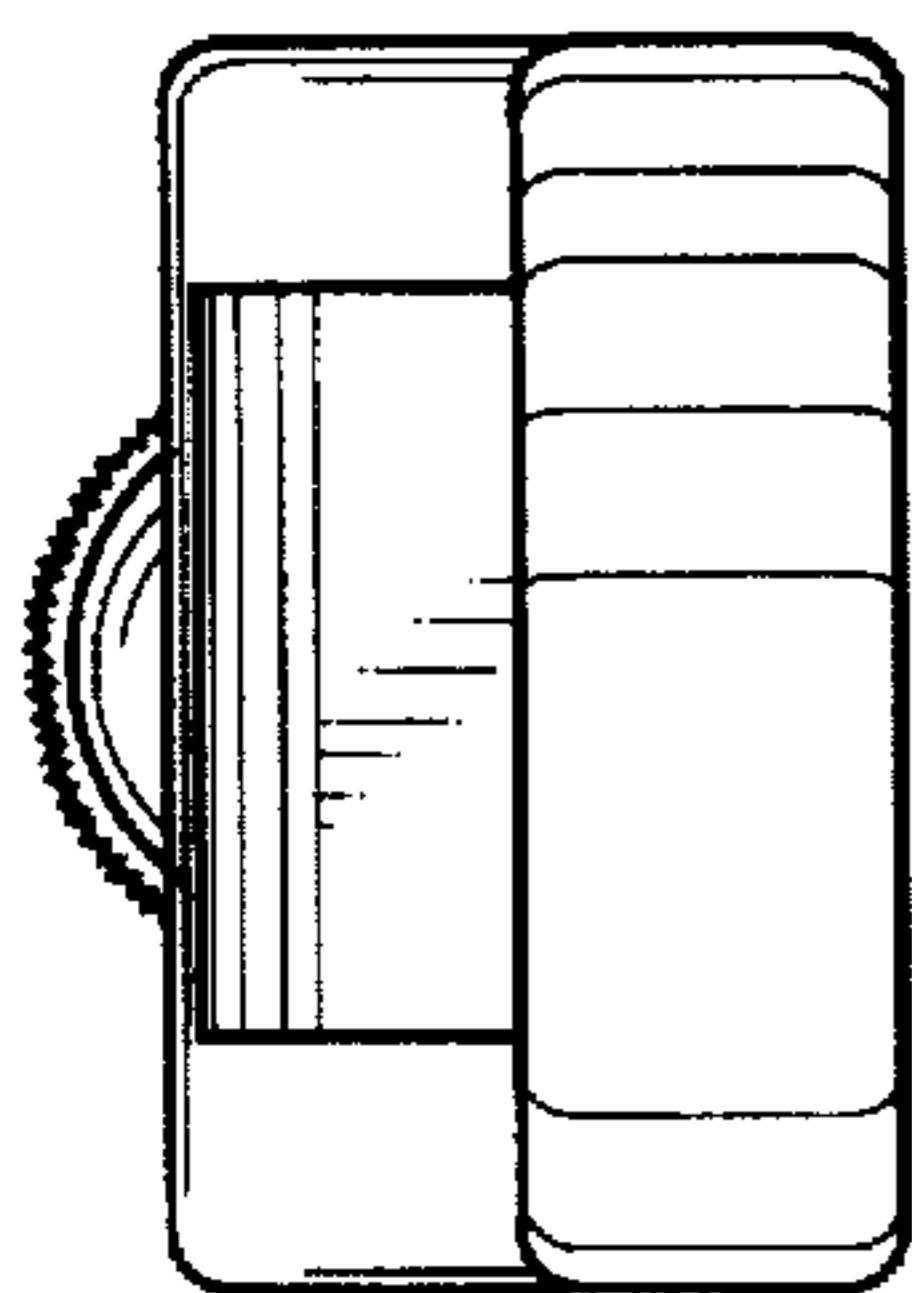


Fig. 7

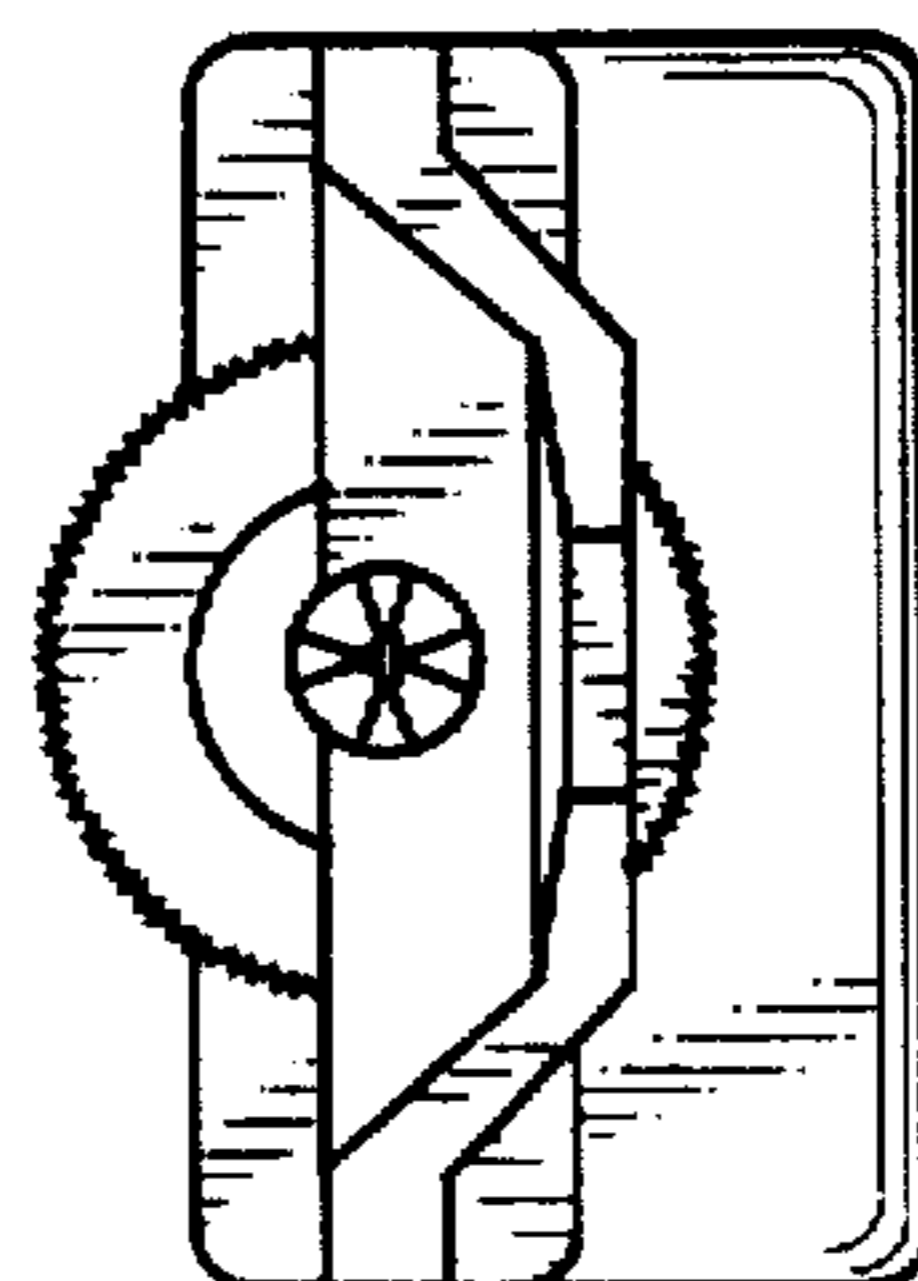


Fig. 8

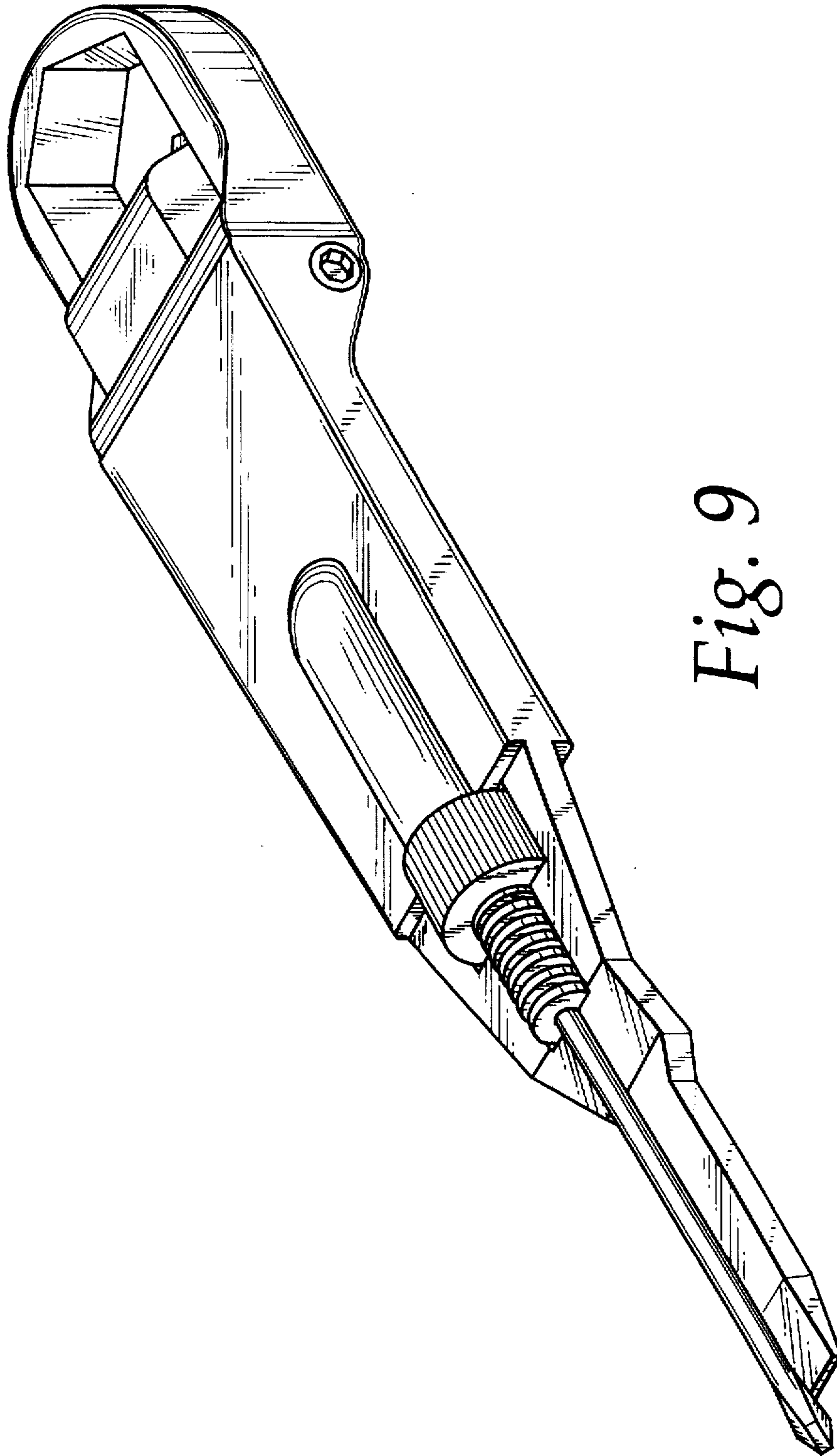


Fig. 9

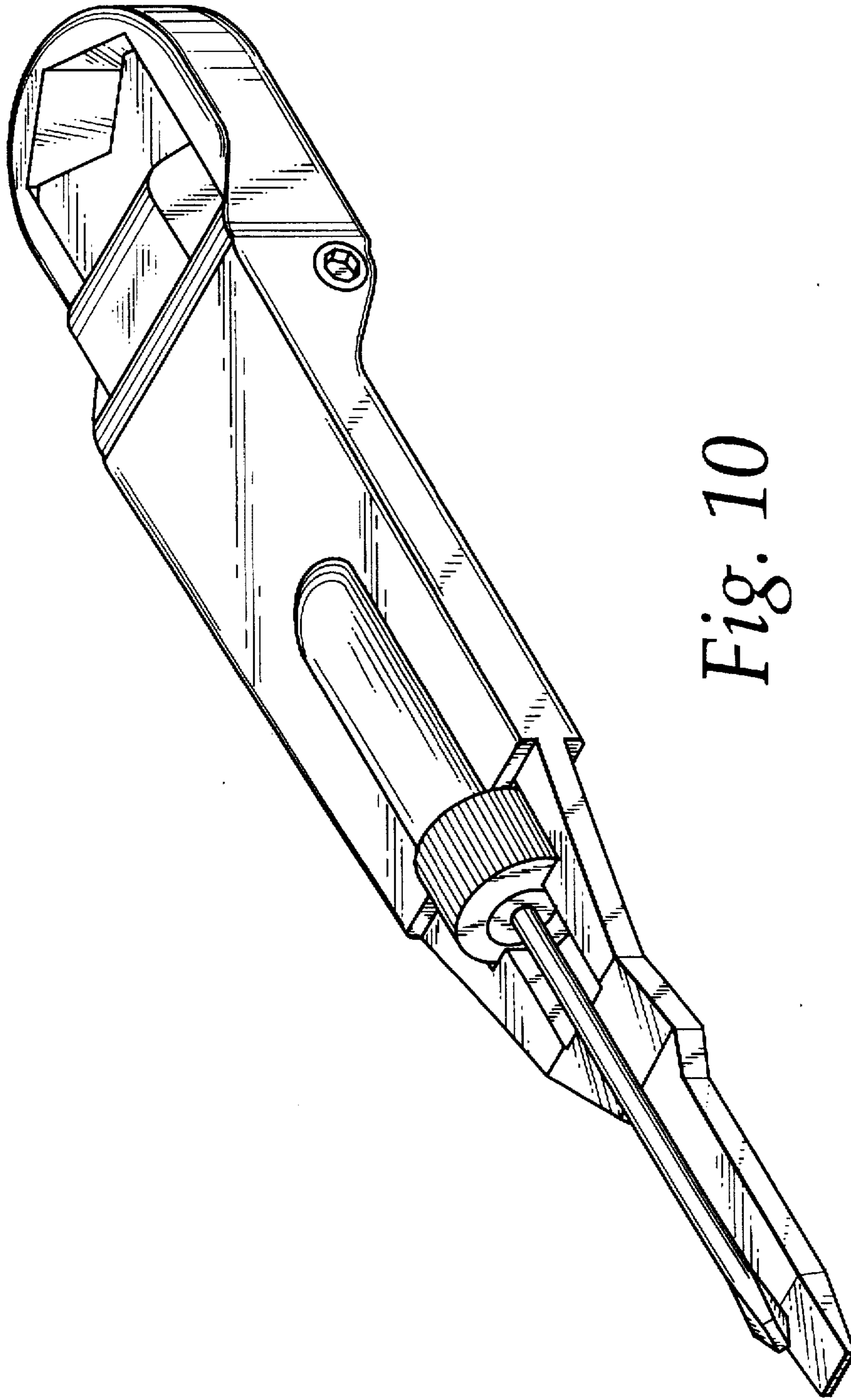


Fig. 10