



US00D394792S

United States Patent [19]

[11] Patent Number: **Des. 394,792**

Bourque

[45] Date of Patent: ****Jun. 2, 1998**

[54] **COMBINATION UTILITY KNIFE AND TAPE MEASURE**

5,119,521 6/1992 Clontz 7/143
5,206,965 5/1993 Rowley 7/119

[76] Inventor: **Christopher L. Bourque**, 61 Union St.,
Rockland, Mass. 02370

Primary Examiner—Philip S. Hyder

[**] Term: **14 Years**

[57] **CLAIM**

The ornamental design for a combination utility knife and tape measure, as shown and described.

[21] Appl. No.: **62,654**

DESCRIPTION

[22] Filed: **Nov. 21, 1996**

[51] **LOC (6) Cl.** **08-03**

[52] **U.S. Cl.** **D8/98; D8/105; D10/62**

[58] **Field of Search** **D8/98, 99, 105;**
D10/62; 7/119, 143; 30/162, 342

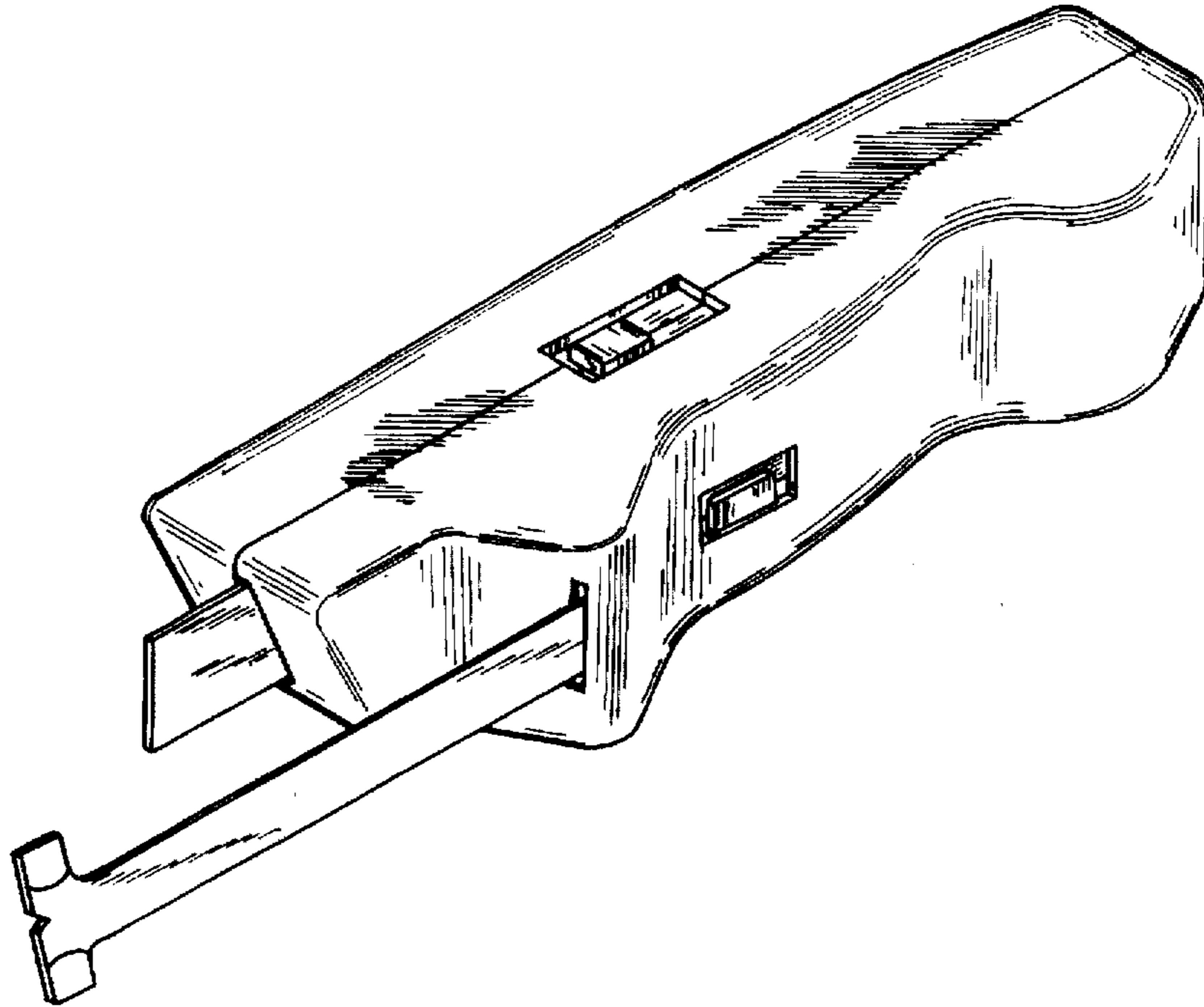
FIG. 1 is a perspective view of a combination utility knife and tape measure showing my new design; wherein the measuring tape is shown in an extended position;
FIG. 2 is a top plan view thereof, wherein the measuring tape is shown in a retracted position;
FIG. 3 is a bottom plan view thereof, wherein the measuring tape is shown in a retracted position;
FIG. 4 is a right side elevational view thereof, wherein the measuring tape is shown in a retracted position;
FIG. 5 is a left side elevational view thereof, wherein the measuring tape is shown in a retracted position;
FIG. 6 is an enlarged front elevational view thereof; and,
FIG. 7 is an enlarged rear elevational view thereof.

[56] **References Cited**

U.S. PATENT DOCUMENTS

166,099	7/1875	Hastings	7/119
D. 308,462	6/1990	Komatsu	D8/105
D. 321,637	11/1991	Chan	D8/105
D. 332,737	1/1993	Wentworth et al.	D8/98
D. 372,183	7/1996	Bourque	D8/105
4,227,306	10/1980	Meshulam	30/342
4,783,867	11/1988	Tsao	7/119

1 Claim, 4 Drawing Sheets



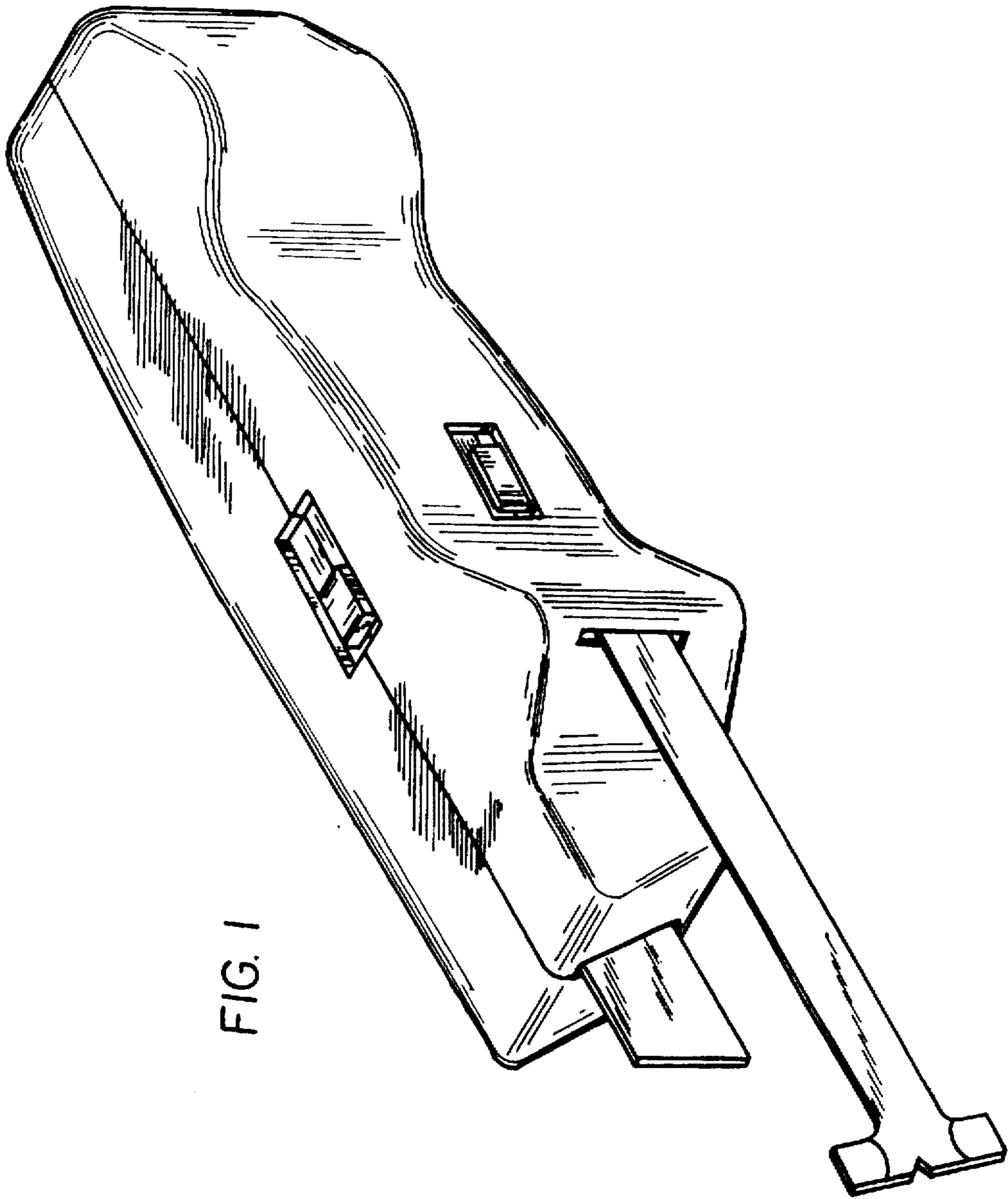


FIG. 1

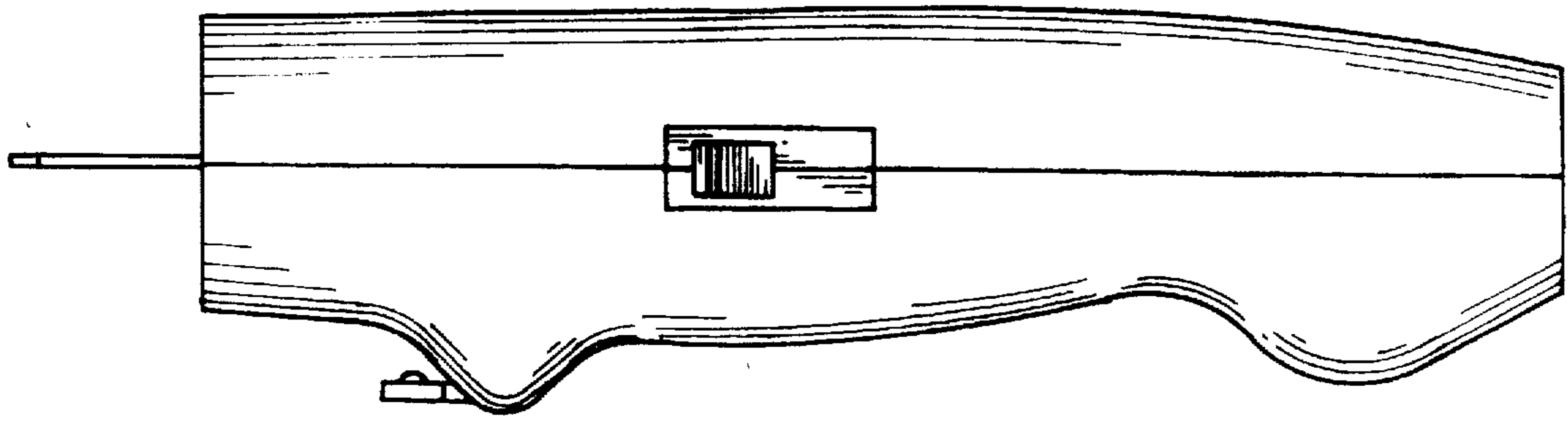


FIG. 2

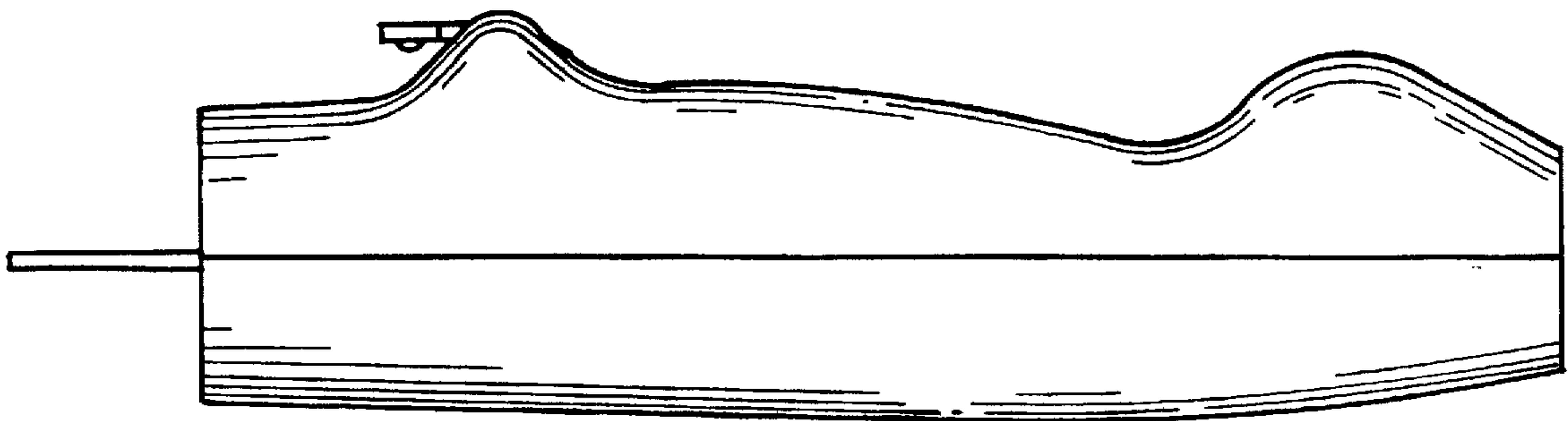


FIG. 3

FIG. 4

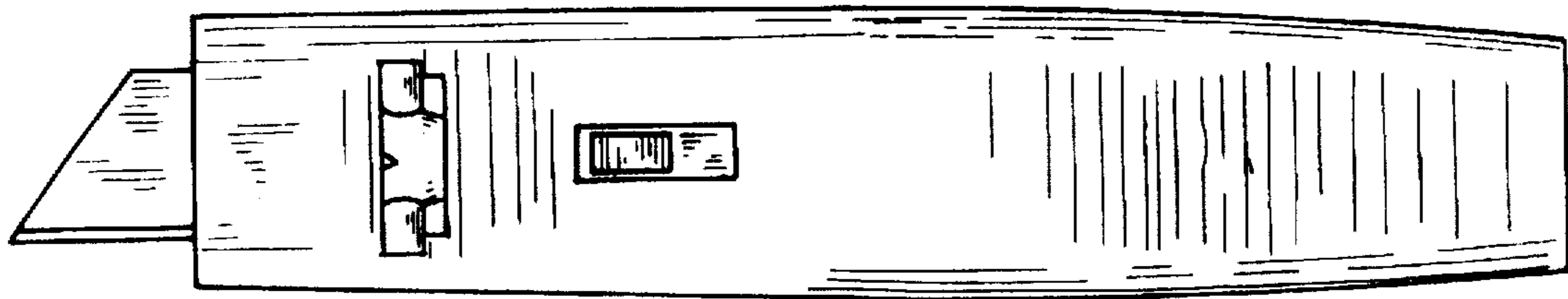
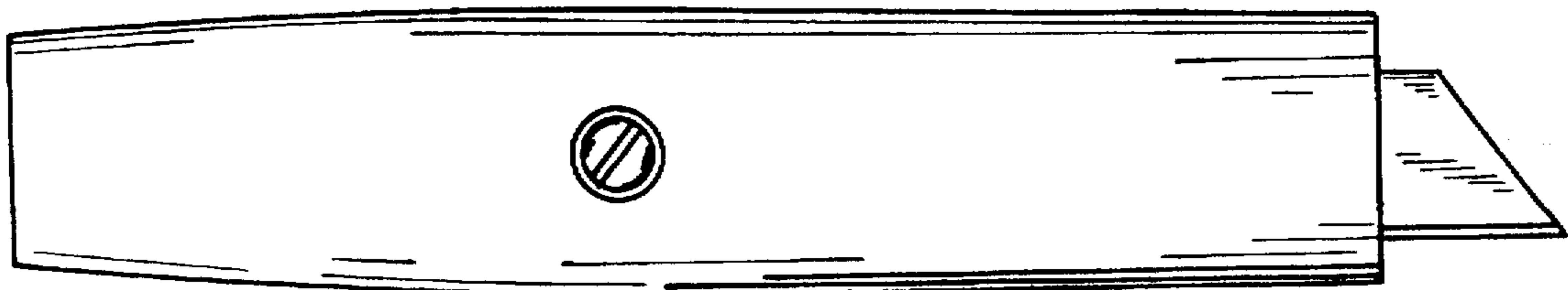


FIG. 5



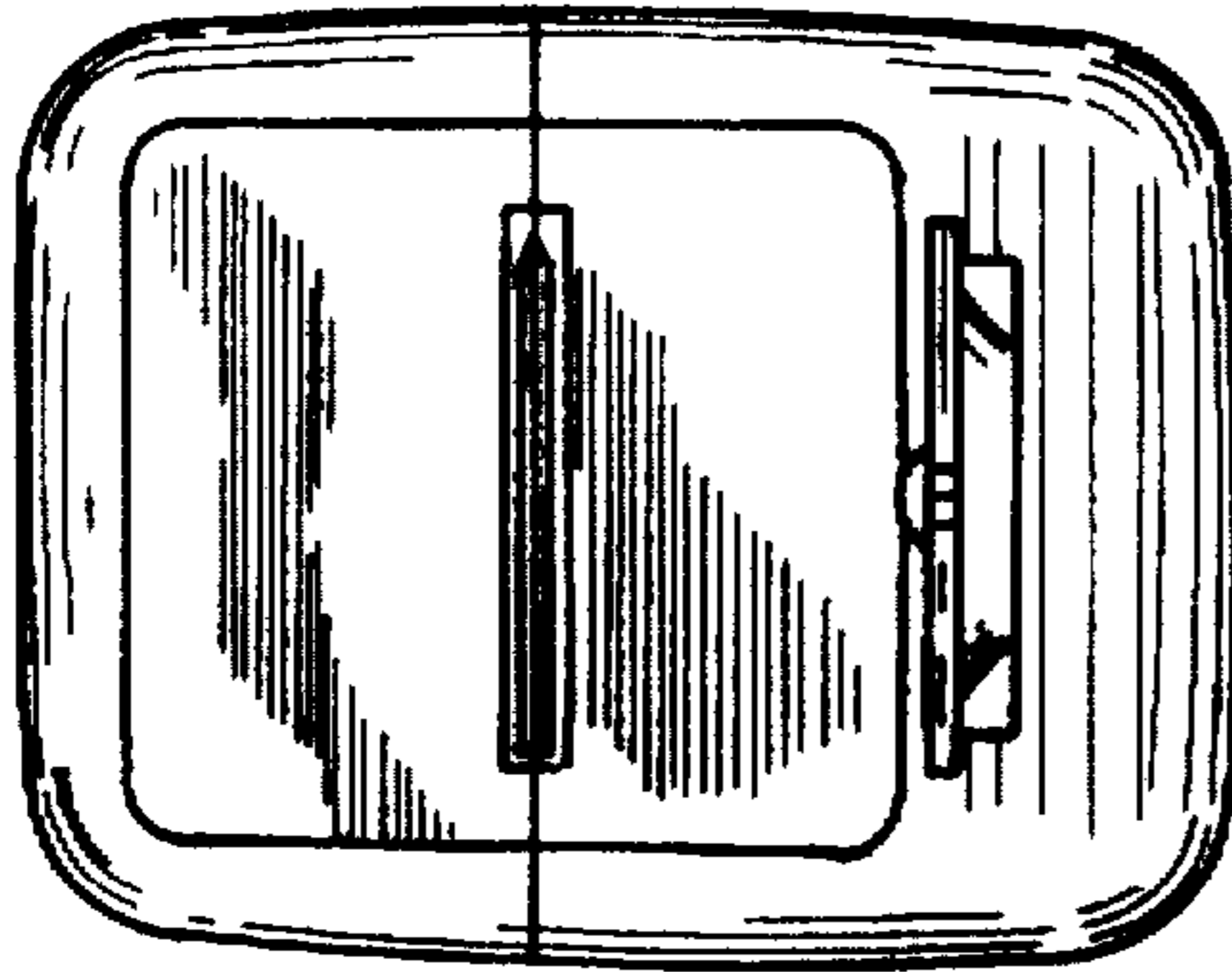


FIG. 6

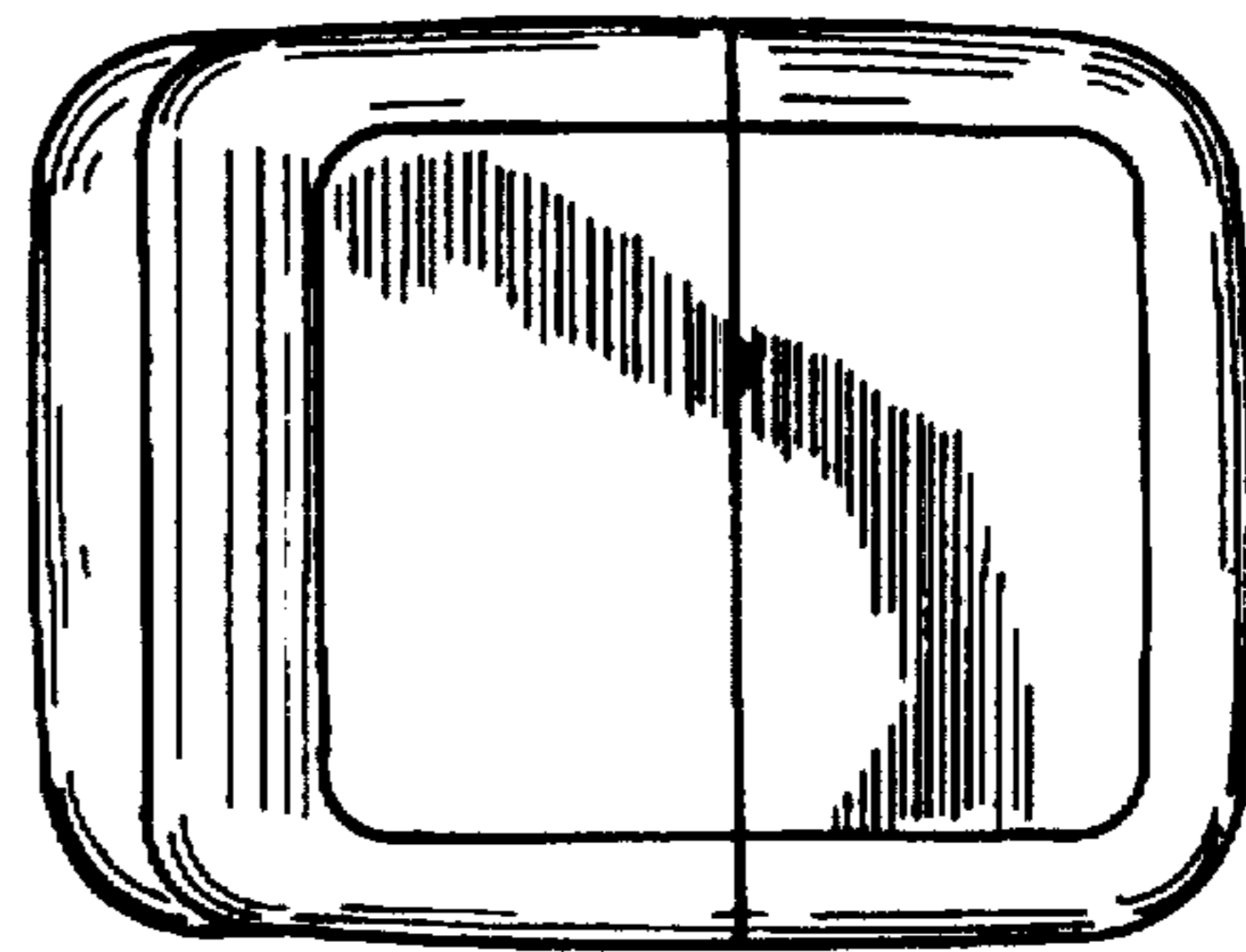


FIG. 7