



US00D394786S

United States Patent [19]
Pulitano

[11] **Patent Number: Des. 394,786**
[45] **Date of Patent: **Jun. 2, 1998**

[54] **TABLE TOP ORGANIZER FOR CONDIMENT CONTAINERS, MENUS AND NAPKINS**

D. 156,670 12/1949 Runnels D7/592
D. 324,155 2/1992 Hyman D7/632
3,318,454 5/1967 Donlin 211/43

[76] Inventor: **Frank Pulitano**, 163 Summer St., Stratford, Conn. 06497

Primary Examiner—Terry A. Wallace
Attorney, Agent, or Firm—Haverstock, Garrett & Roberts

[**] Term: **14 Years**

[57] **CLAIM**

[21] Appl. No.: **72,501**

The ornamental design for a table top organizer for condiment containers, menus and napkins, as shown and described.

[22] Filed: **Jun. 19, 1997**

DESCRIPTION

[51] **LOC (6) Cl.** **07-06**

[52] **U.S. Cl.** **D7/590; D7/601; D7/632; D19/90**

[58] **Field of Search** D7/590, 601, 631, D7/632; D19/34.1, 34.2, 65, 75, 86, 90-92; 211/13.1, 43, 45, 51, 49.1, 71, 85.4, 126.1, 126.12

FIG. 1 is a perspective view of a table top organizer for condiment containers, menus and napkins showing my new design;

FIG. 2 is a left side elevation view thereof, the opposite side being a mirror image;

FIG. 3 is a front elevation view thereof, the opposite side being a mirror image;

FIG. 4 is a top plan view thereof; and,

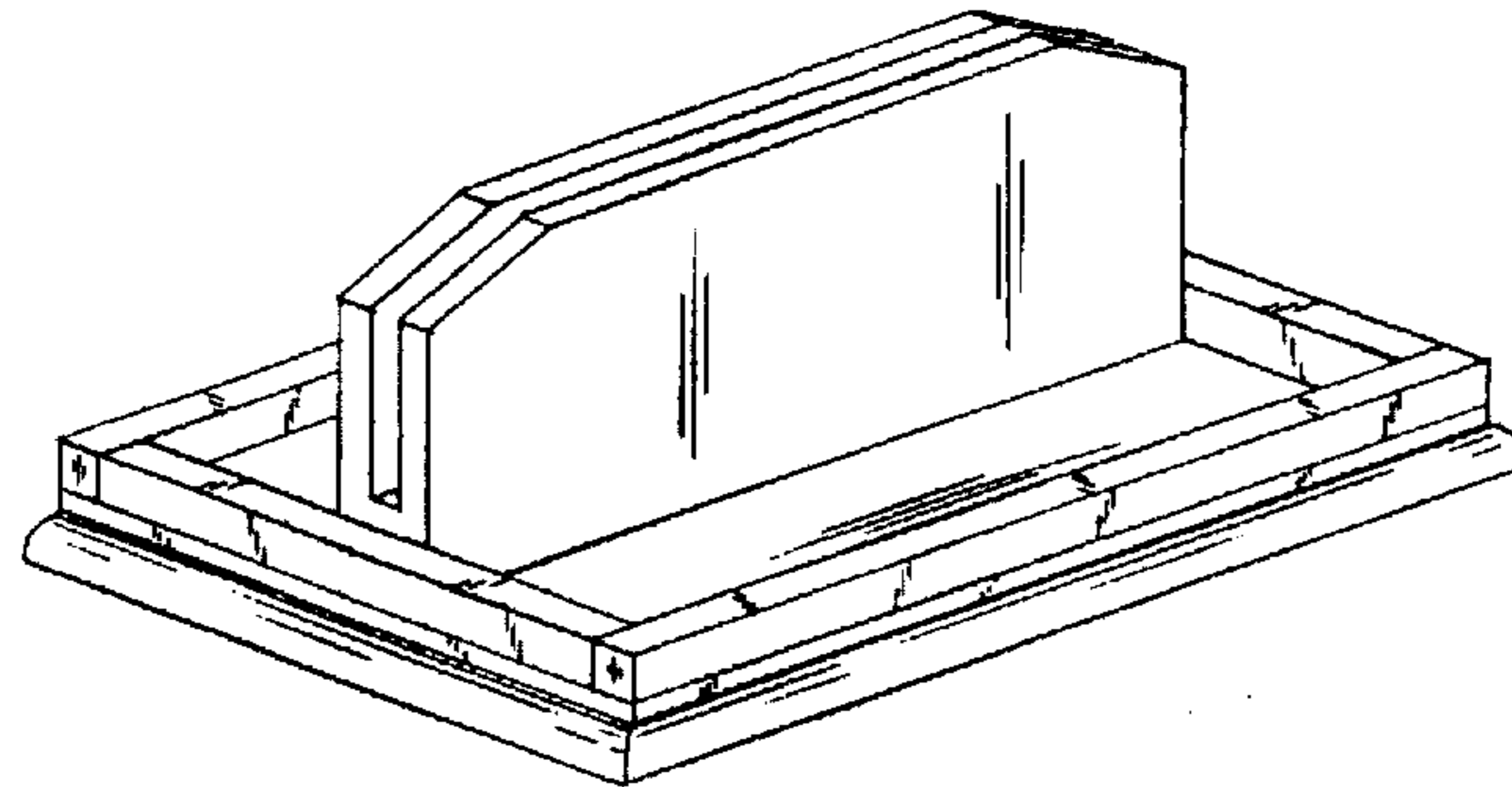
FIG. 5 is a bottom plan view thereof.

[56] **References Cited**

U.S. PATENT DOCUMENTS

D. 55,266 5/1920 Fuller D19/78 X

1 Claim, 1 Drawing Sheet



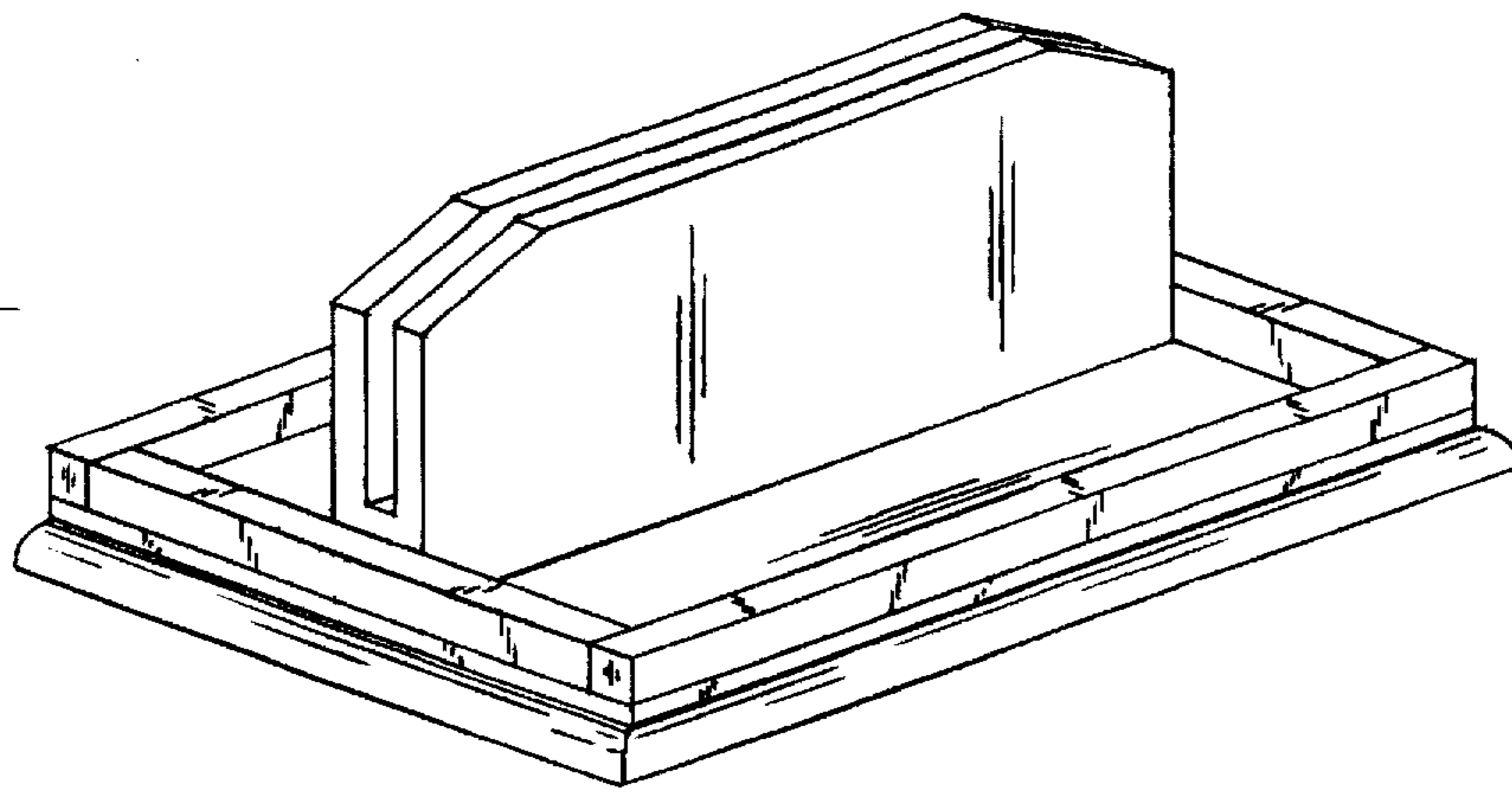


Fig. 1

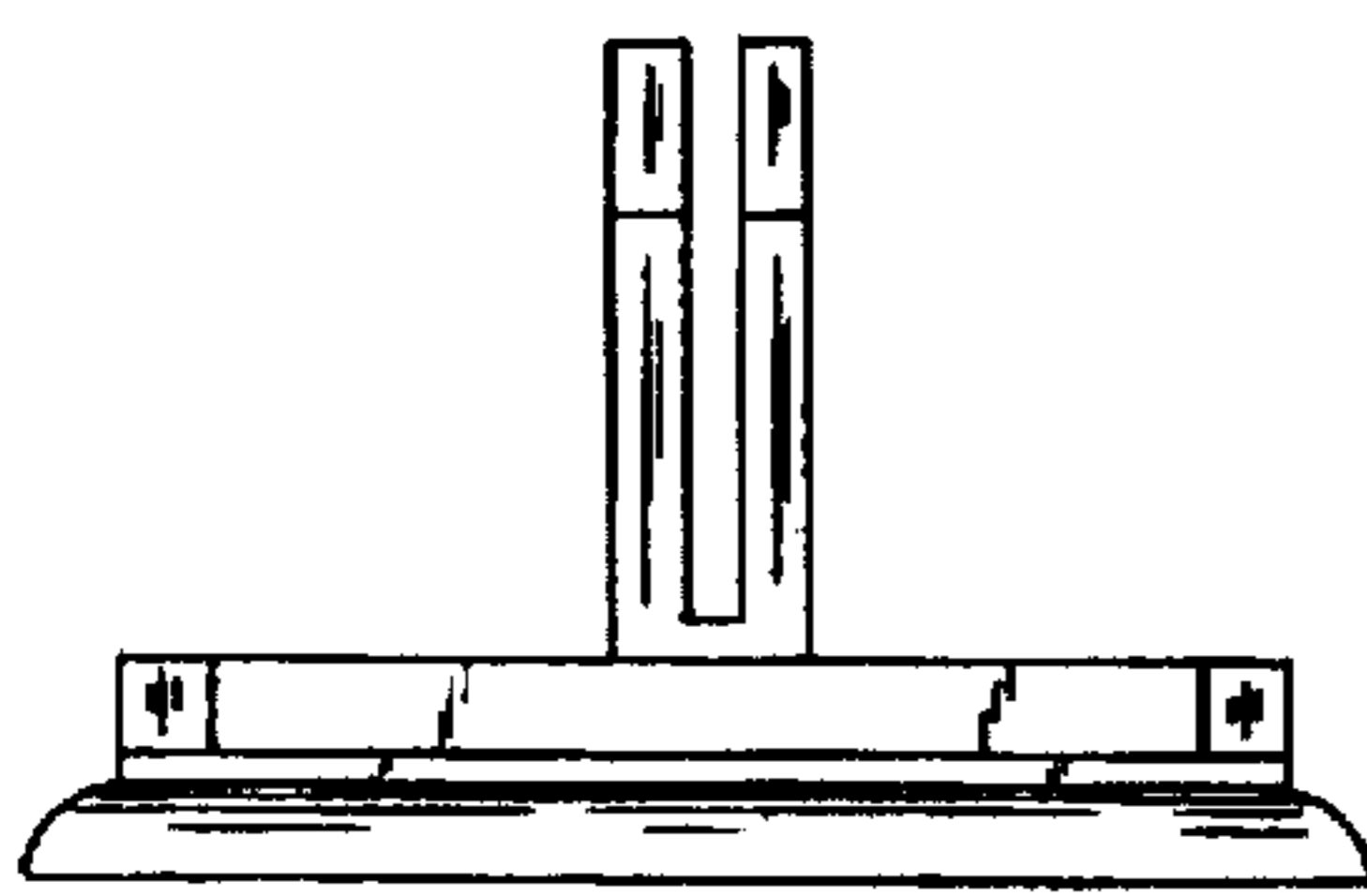


Fig. 2

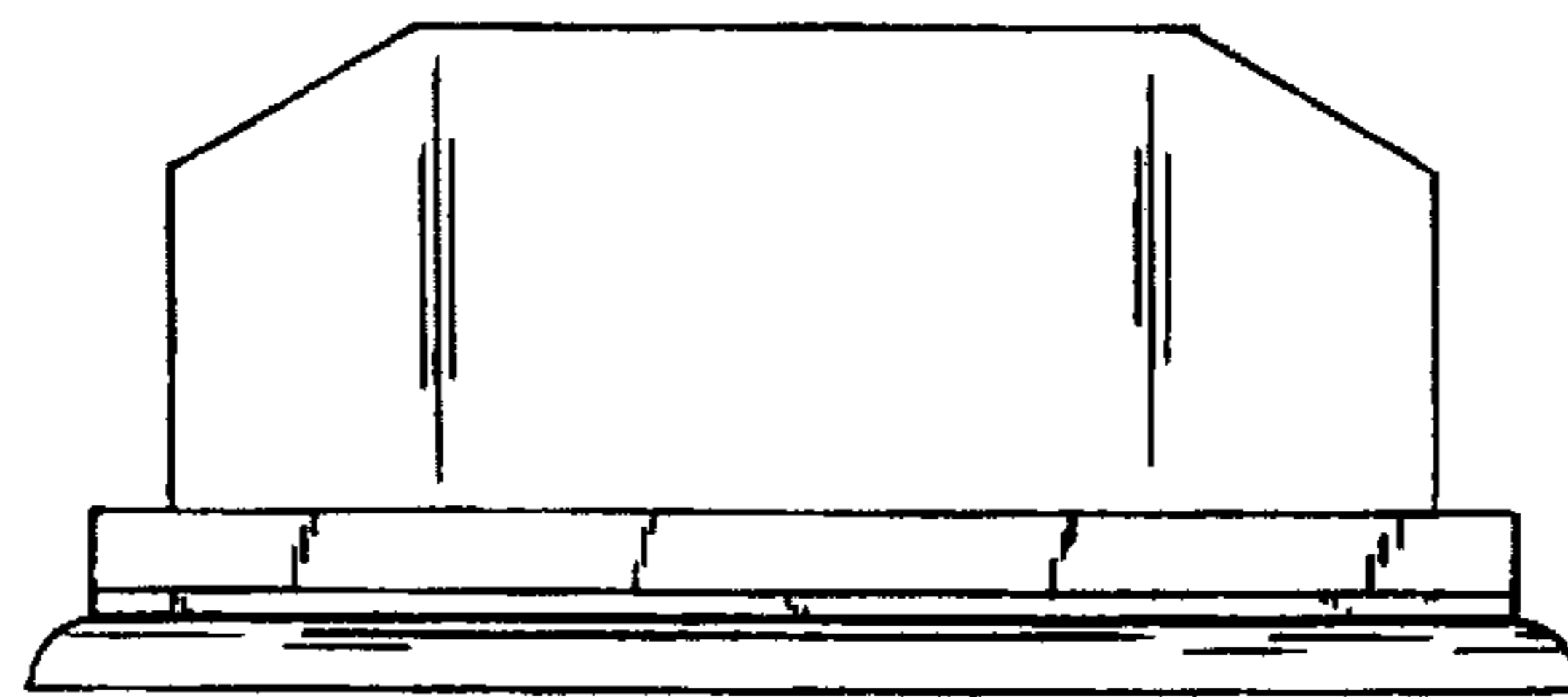


Fig. 3

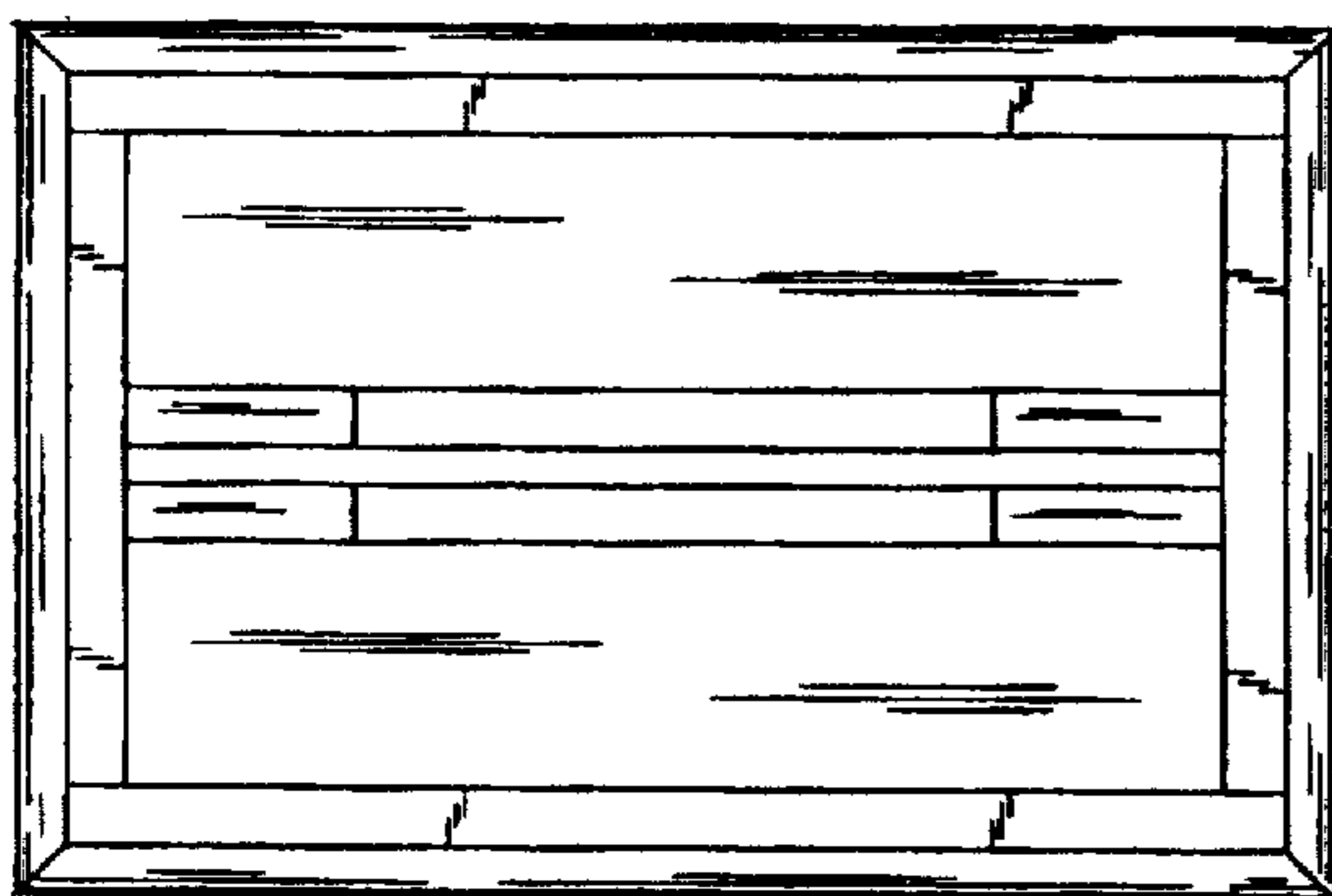


Fig. 4

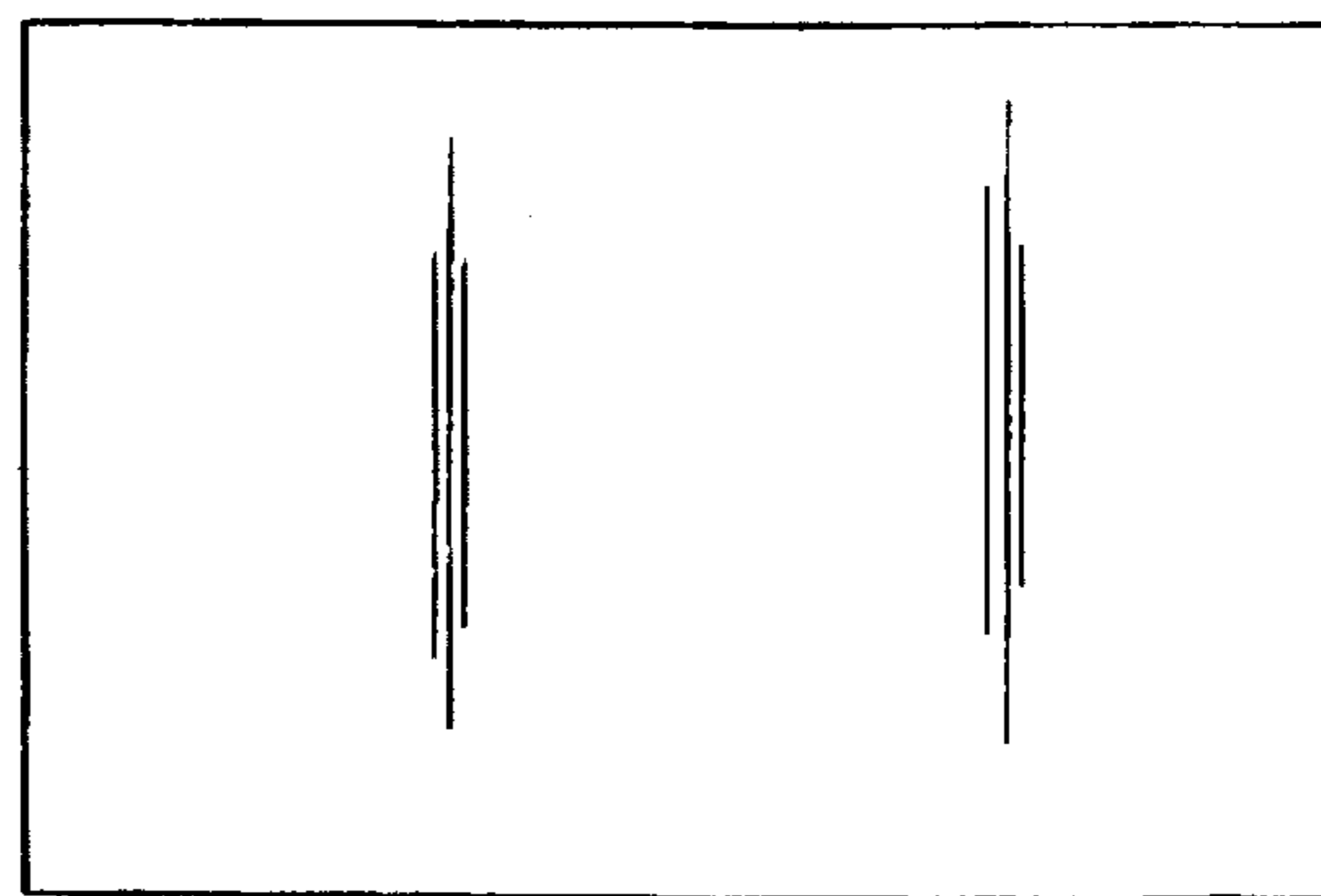


Fig. 5