



US00D394782S

# United States Patent [19]

Church et al.

[11] Patent Number: **Des. 394,782**

[45] Date of Patent: **\*\*Jun. 2, 1998**

[54] **BACKPACK STOVE STAND**

[76] Inventors: **Thomas E. Church**, 1900 Hillsdale Rd., Athol, Id. 83801; **Brian R. Killian**, 14353-117th Ave., NE, Kirkland, Wash. 98034; **Richard A. Milestone**, 19417 SE, 128th St., Renton, Wash. 98059

[\*\*] Term: **14 Years**

[21] Appl. No.: **55,895**

[22] Filed: **Jun. 14, 1996**

[51] LOC (6) Cl. .... **31-00**

[52] U.S. Cl. .... **D7/388; D7/409; D7/403**

[58] Field of Search ..... **D7/388, 387, 403, D7/404, 409; 224/261, 262**

[56] **References Cited**

**U.S. PATENT DOCUMENTS**

D. 235,959	7/1975	Allander .....	D7/107
D. 259,617	6/1981	Braxton, III .....	D7/409 X
807,613	12/1905	Graves .	
1,684,925	9/1928	Perlmutter .	
1,782,313	11/1930	Poehls .	
1,884,120	10/1932	Mross .	
2,102,893	12/1937	Forster .	
2,558,862	3/1951	Mayo .	
2,857,905	10/1958	Vanderbeek .	
3,080,861	3/1963	Amero .	

3,277,880	10/1966	Kirby .....	126/40
3,877,458	4/1975	Allander .....	126/44
4,177,790	12/1979	Zenzaburo .....	126/38
4,204,516	5/1980	Figura .....	126/9
4,938,202	7/1990	Hait .....	126/9
5,184,764	2/1993	Orovan et al. ....	224/262 X
5,307,798	5/1994	Overmars, Sr. ....	126/40

Primary Examiner—M. N. Pandozzi  
Attorney, Agent, or Firm—Dowrey & Associates

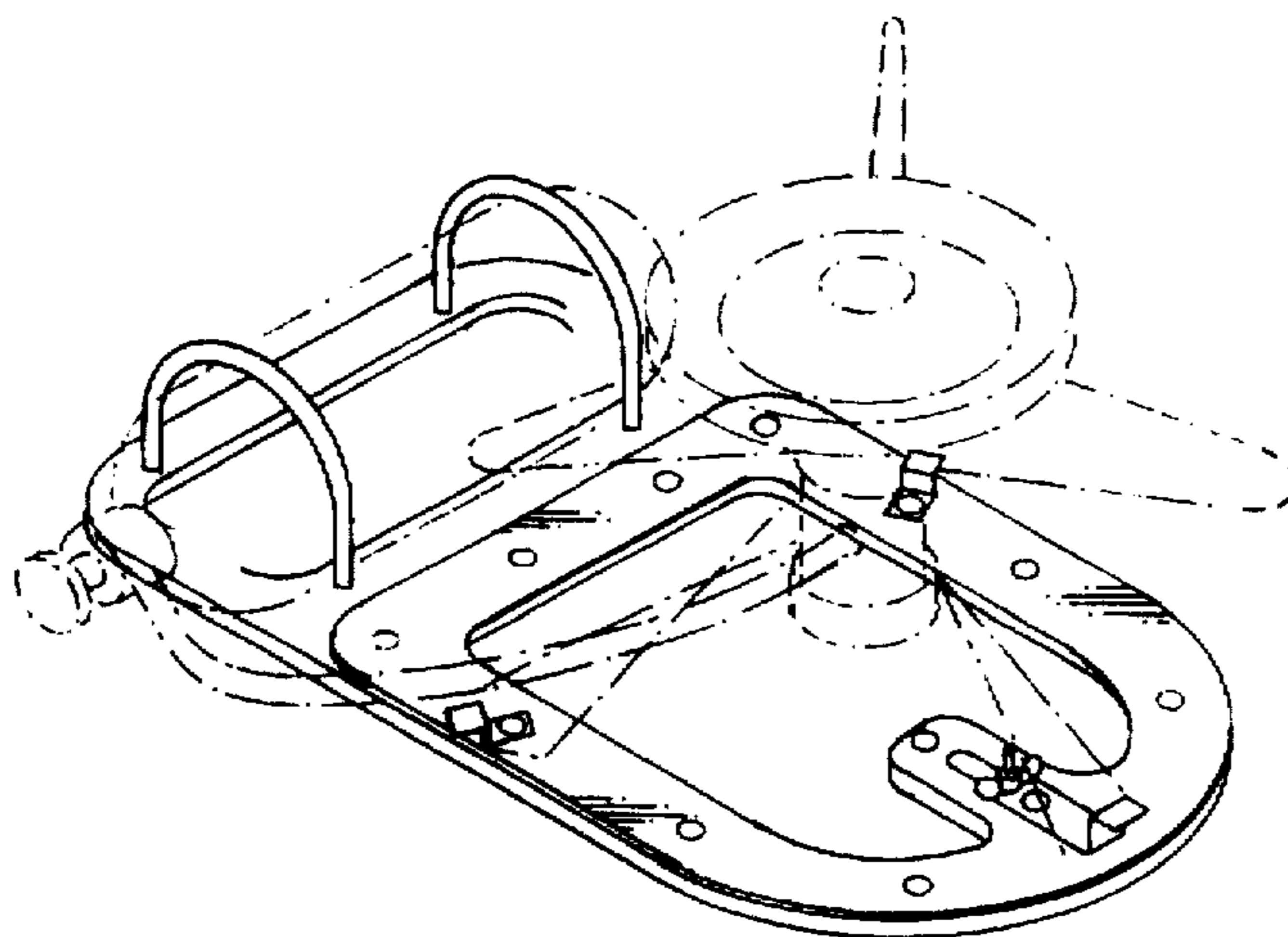
[57] **CLAIM**

The ornamental design for a backpack stove stand, as shown and described.

**DESCRIPTION**

FIG. 1 is a top perspective view of a backpack stove stand with the stove, fuel tank, and fuel line shown in broken line; FIG. 2 is an enlarged top perspective view thereof without the broken lines; FIG. 3 is a right side elevational view, the left side elevational view being a mirror image thereof; FIG. 4 is a top plan view thereof; FIG. 5 is a bottom plan view thereof; FIG. 6 is a front elevational view thereof; FIG. 7 is a rear elevational view thereof; and, FIG. 8 is a cross sectional view taken along lines 8—8 of FIG. 4.

**1 Claim, 3 Drawing Sheets**



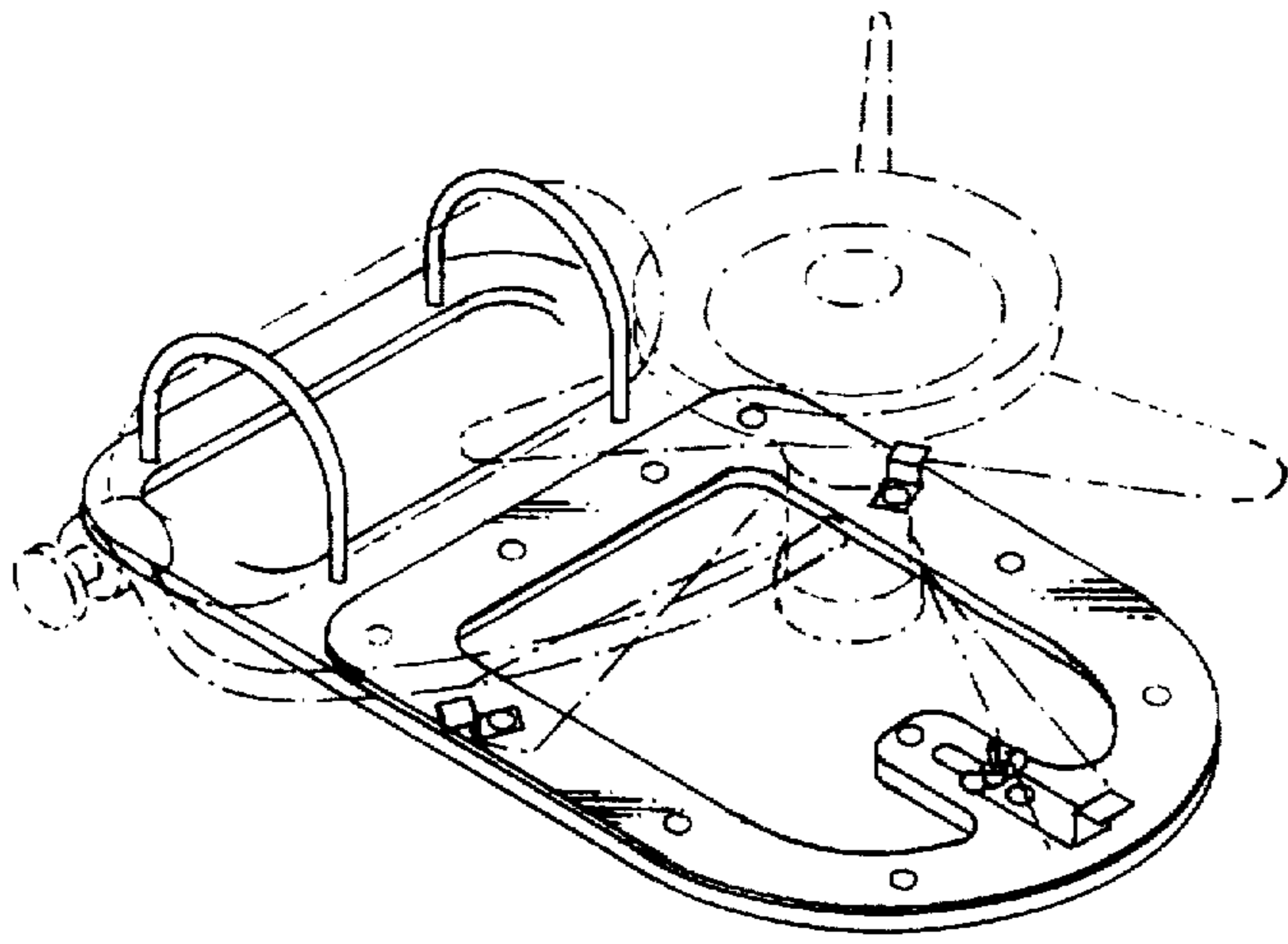


FIG. 1

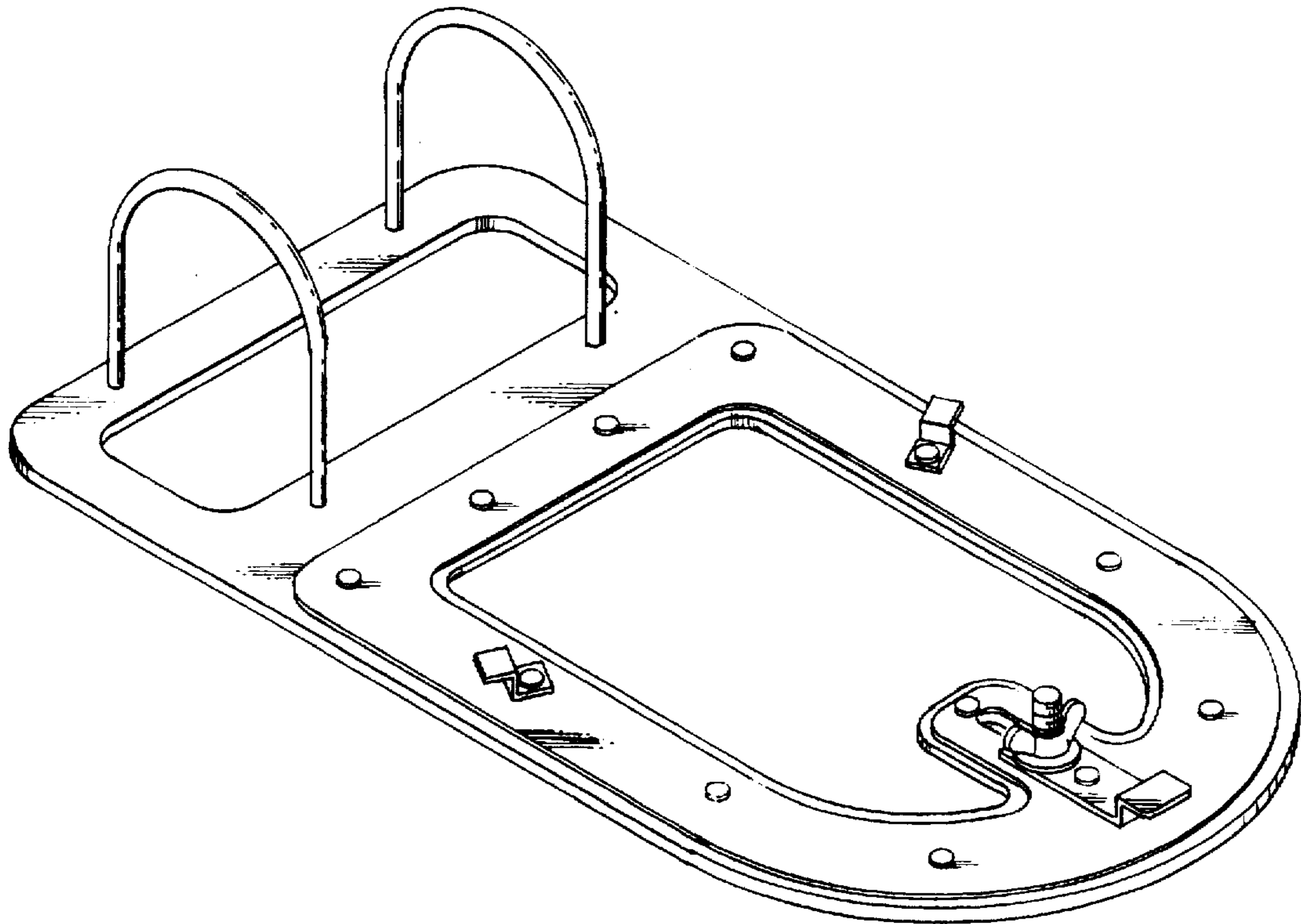


FIG. 2

FIG. 3

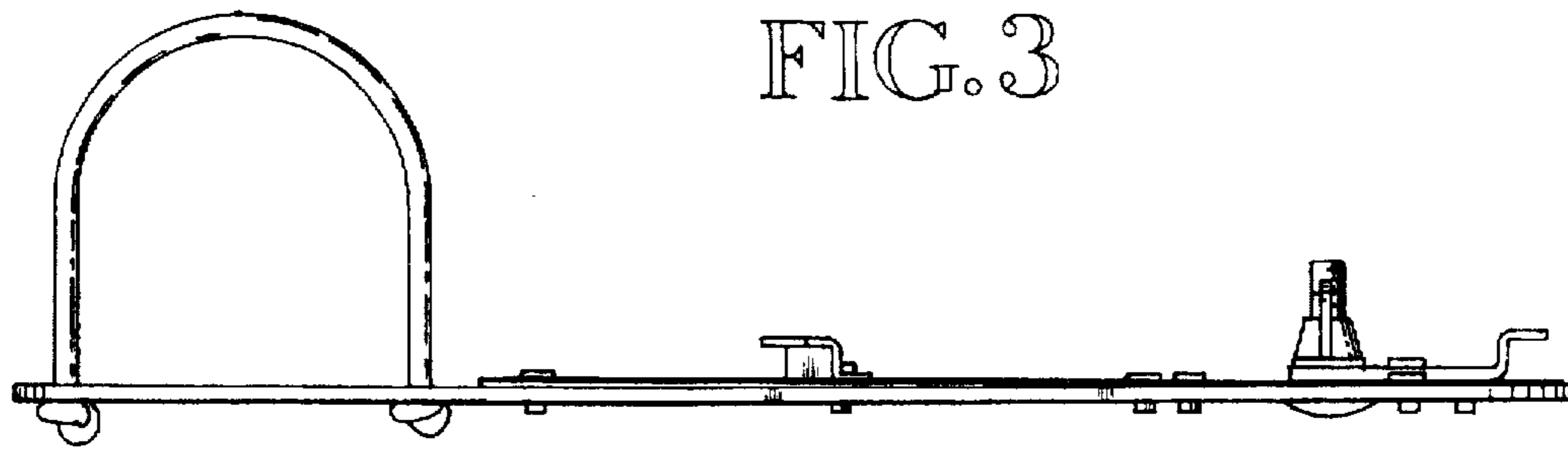


FIG. 4

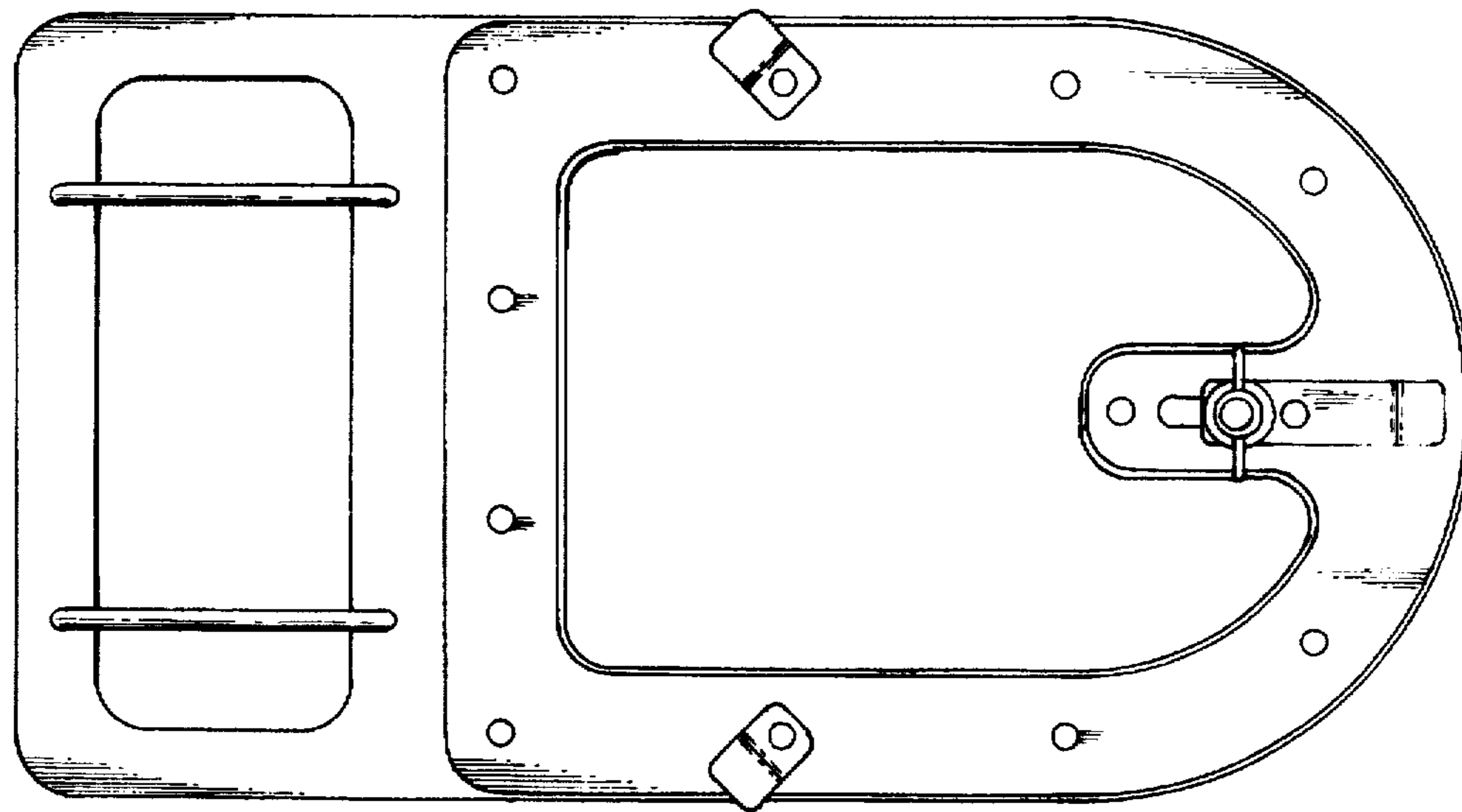
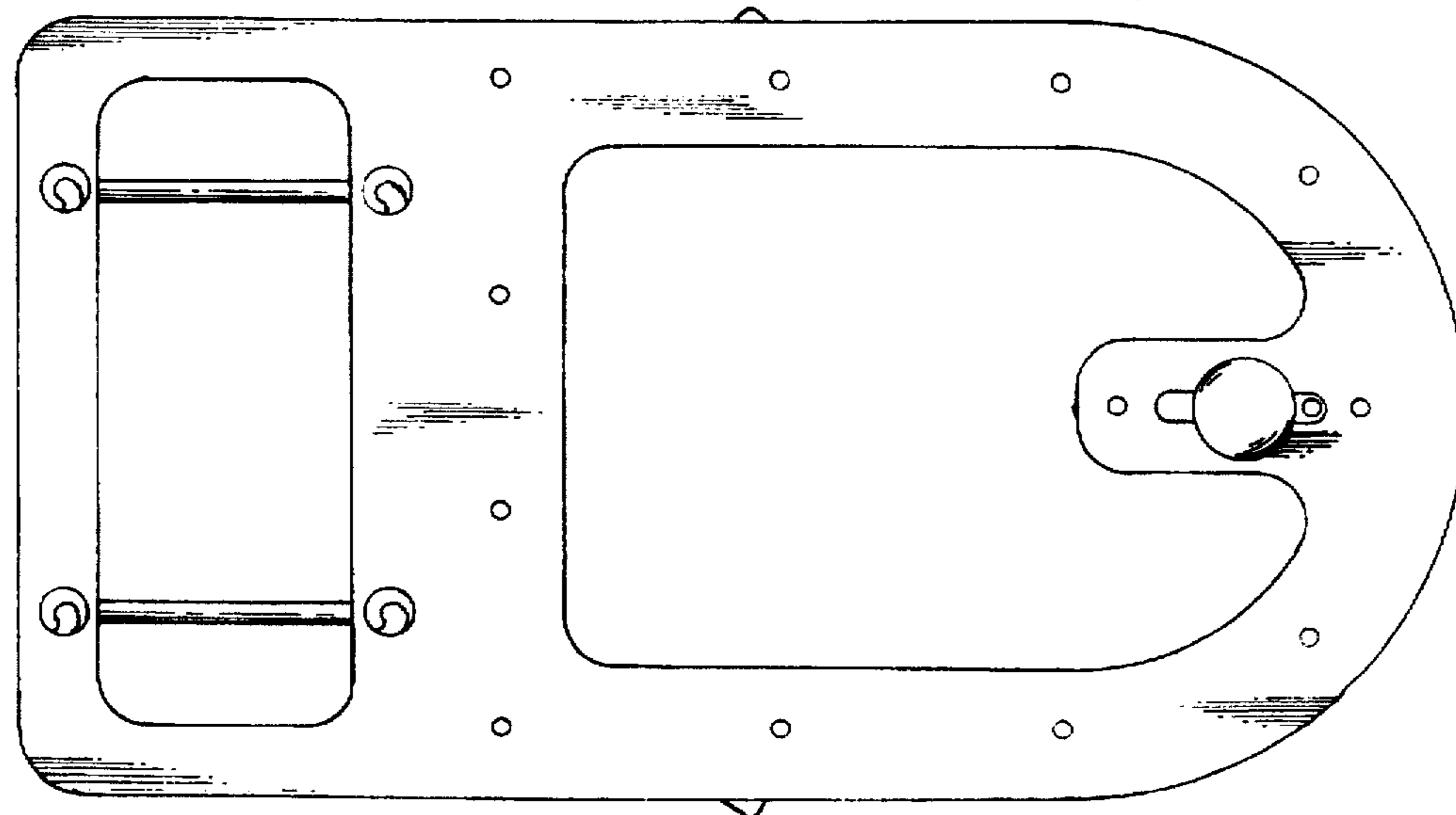


FIG. 5



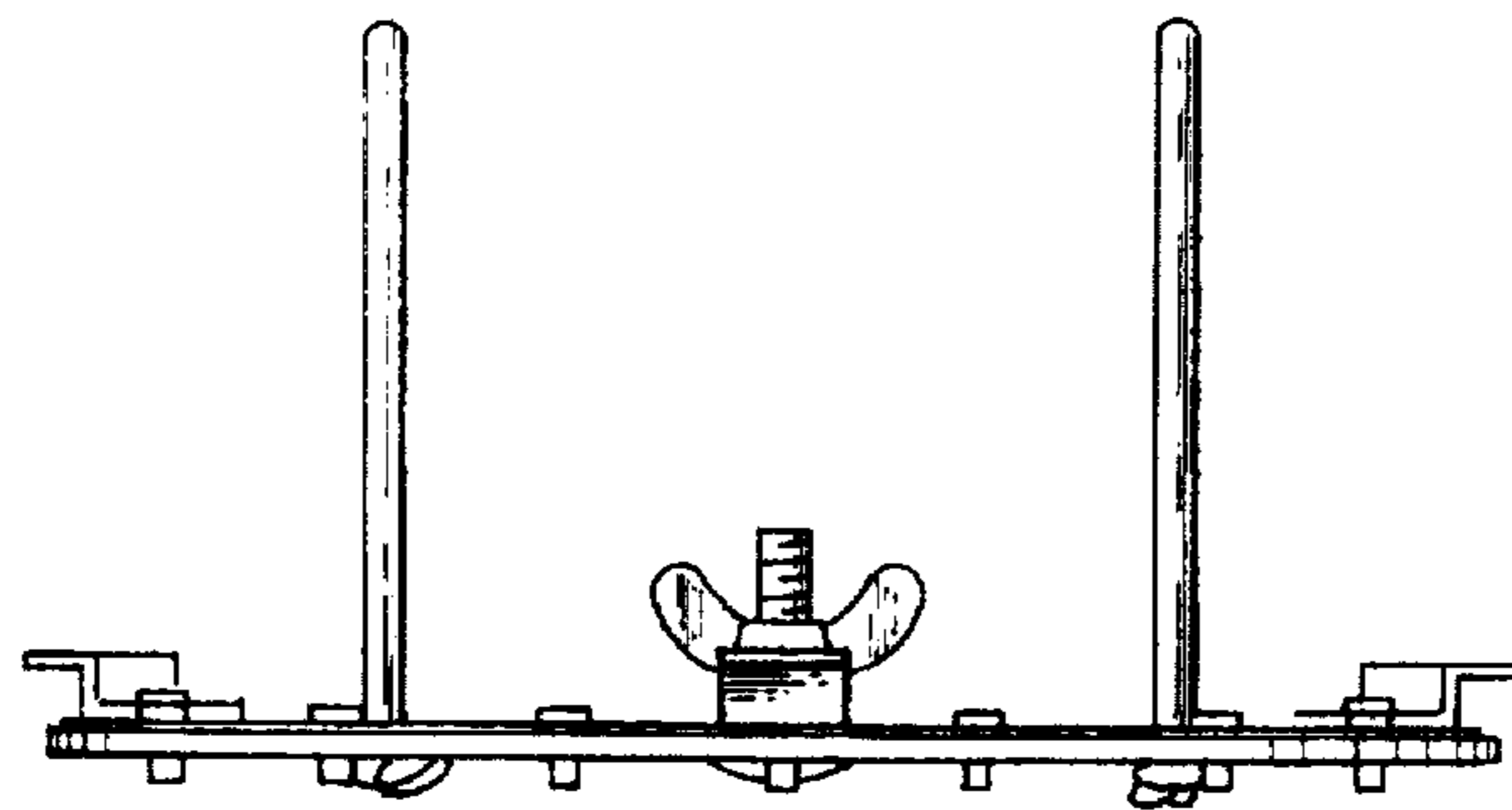


FIG. 6

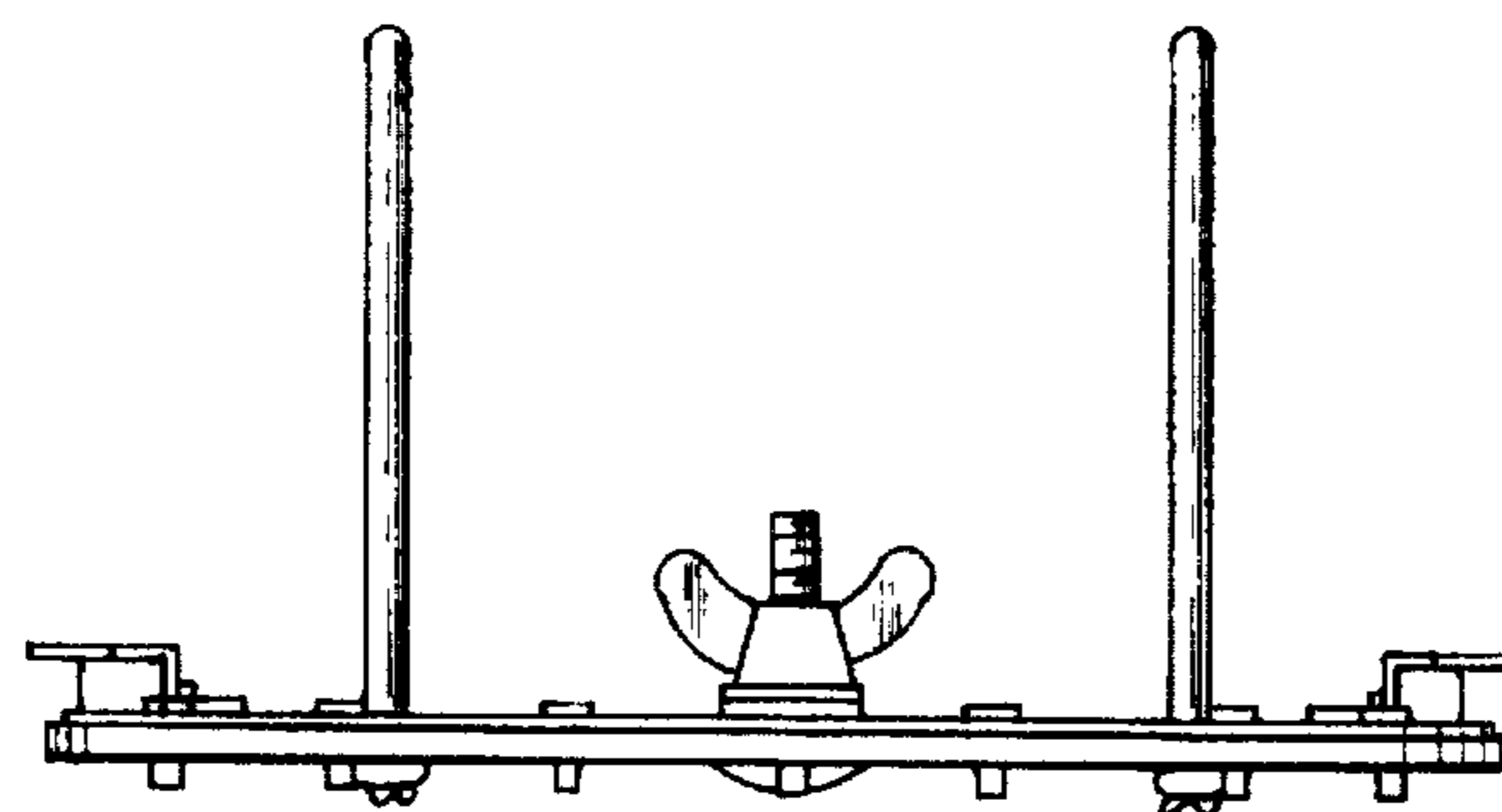


FIG. 7

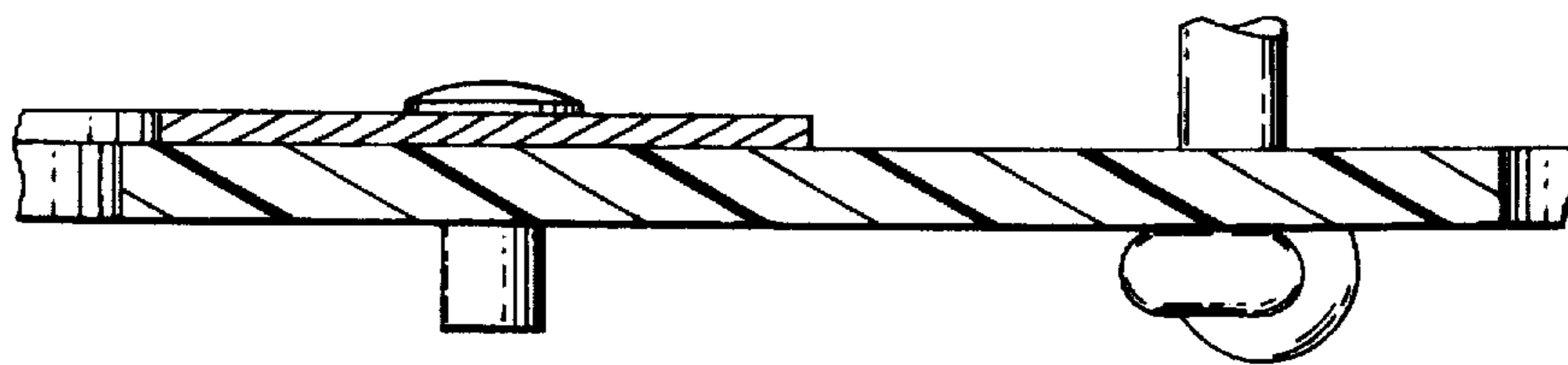


FIG. 8