



US00D394779S

# United States Patent [19]

Hilvitz

[11] Patent Number: Des. 394,779

[45] Date of Patent: \*\*Jun. 2, 1998

[54] OUTDOOR FIRE PIT

[76] Inventor: Philip Hilvitz, 24 Robertson Rd., Pueblo, Colo. 81001

[\*\*] Term: 14 Years

[21] Appl. No.: 69,878

[22] Filed: May 6, 1997

### —Related U.S. Application Data

[63] Continuation of Ser. No. 62,370, Nov. 14, 1996, abandoned.

[51] LOC (6) Cl. .... 07-02

[52] U.S. Cl. .... D7/335

[58] Field of Search ..... D7/335, 332, 333, D7/336, 337; 126/25 A, 519, 29; D6/486; D23/348

### [56] References Cited

#### U.S. PATENT DOCUMENTS

- D. 177,153 3/1956 Sorchini .
- D. 183,890 11/1958 Kulikowski .
- D. 184,794 4/1959 Barber .
- D. 246,687 12/1977 Selva .
- D. 258,259 2/1981 Lindholm ..... D7/332
- D. 262,086 12/1981 Miller .
- D. 262,427 12/1981 Boston et al. .... D7/333
- D. 273,264 4/1984 Elliston .
- D. 286,002 10/1986 Brix ..... D7/332
- D. 361,467 8/1995 Kabayama .

- 2,079,225 5/1937 Sabaneeff ..... 126/25 A
- 3,765,397 10/1973 Henderson ..... D7/332
- 4,167,176 9/1979 Johnson .
- 4,582,046 4/1986 Yamada .
- 4,840,128 6/1989 McFarlane et al. .
- 4,850,333 7/1989 Dellrud et al. .... 126/25 A
- 5,176,124 1/1993 Wrasse ..... 126/29

### OTHER PUBLICATIONS

Domus, Jun. 1968, p. 53 Table (A) top left side of page.

Primary Examiner—Lisa Lichtenstein

Attorney, Agent, or Firm—Holland & Hart LLP

### [57] CLAIM

The ornamental design for an outdoor fire pit, as shown and described.

### DESCRIPTION

FIG. 1 is a front perspective view of an outdoor fire pit showing my new design;

FIG. 2 is a top plan view thereof;

FIG. 3 is a front elevational view thereof;

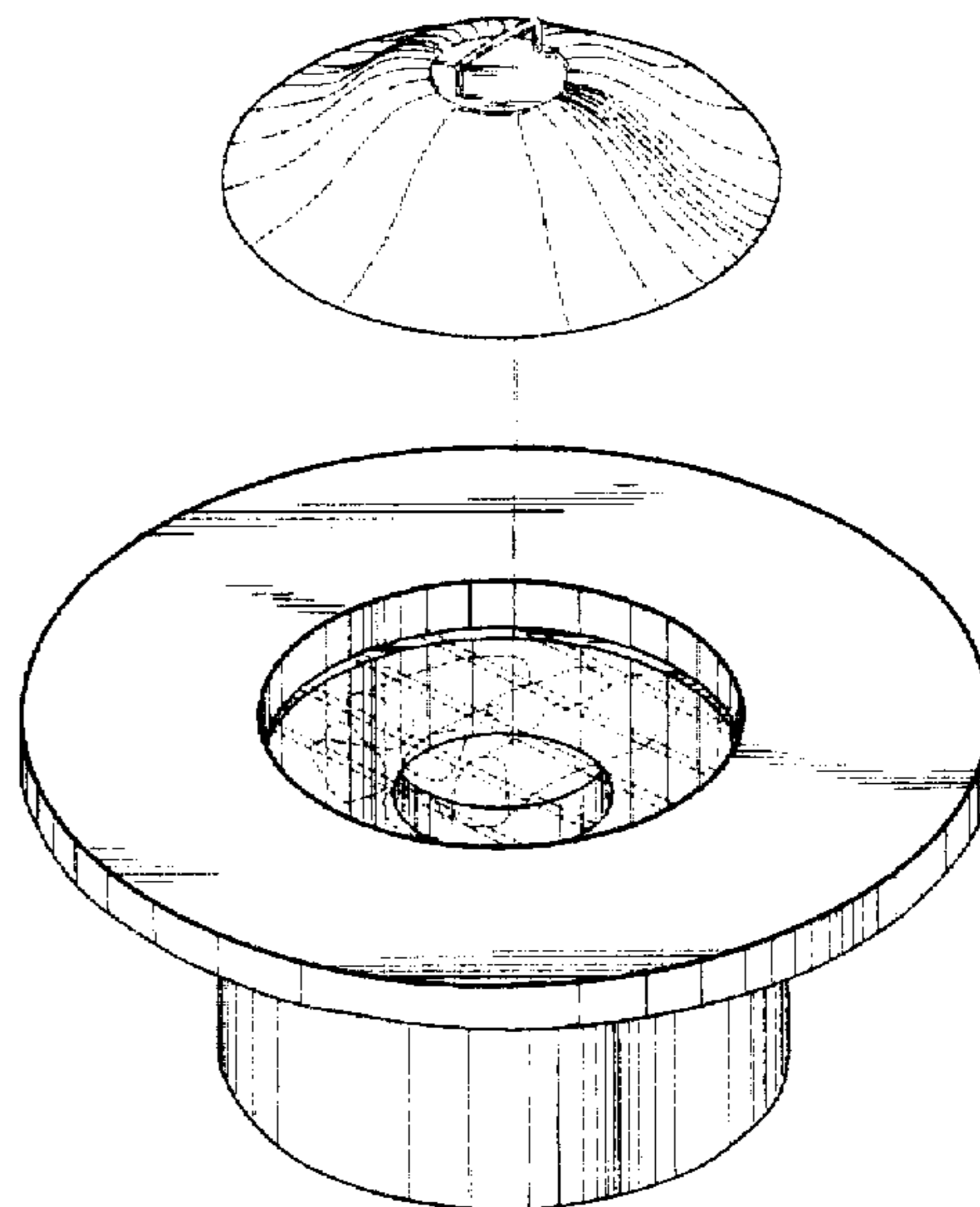
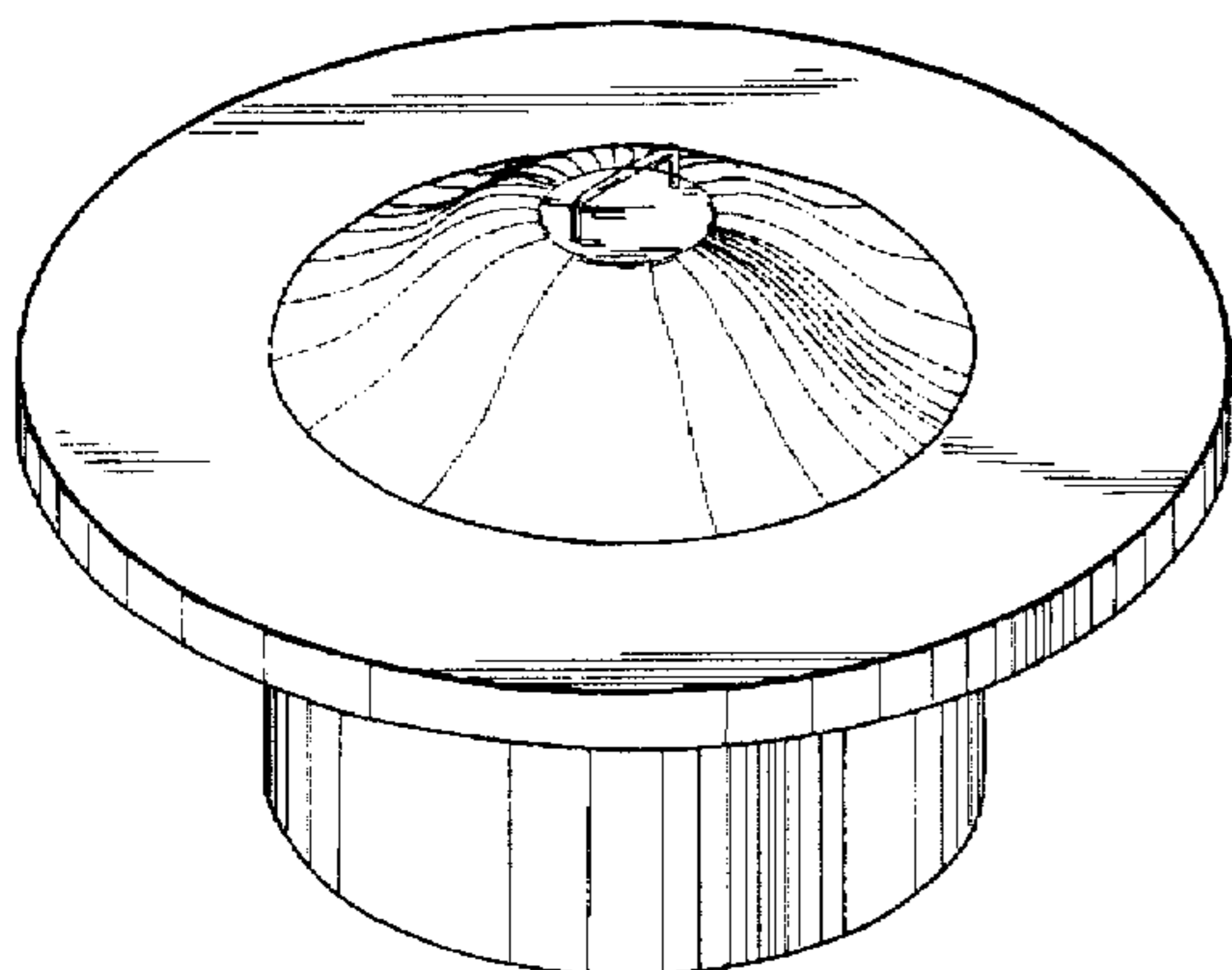
FIG. 4 is a right side elevational view thereof, the left side being a mirror image thereof;

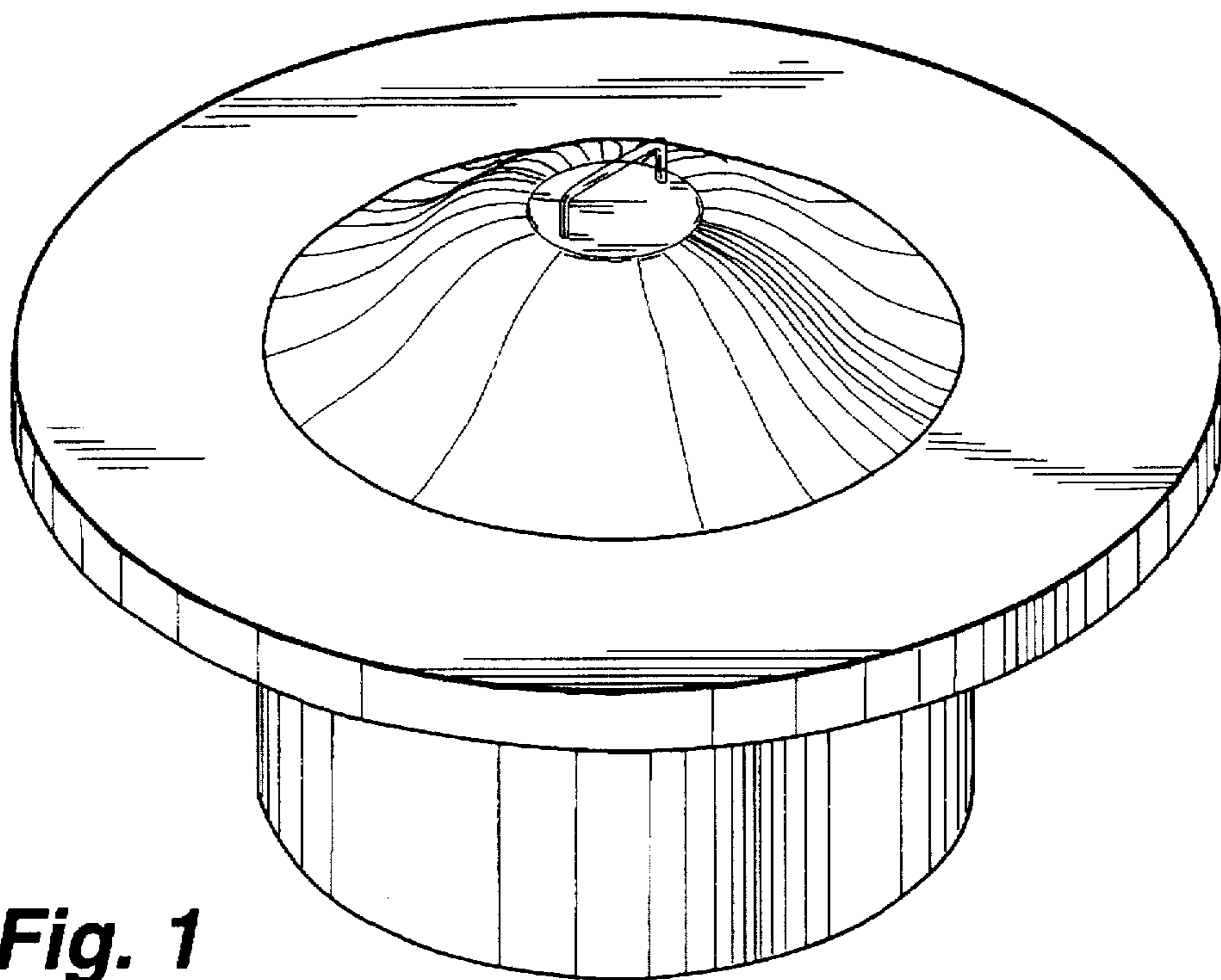
FIG. 5 is a back elevational view thereof;

FIG. 6 is a bottom plan view thereof; and,

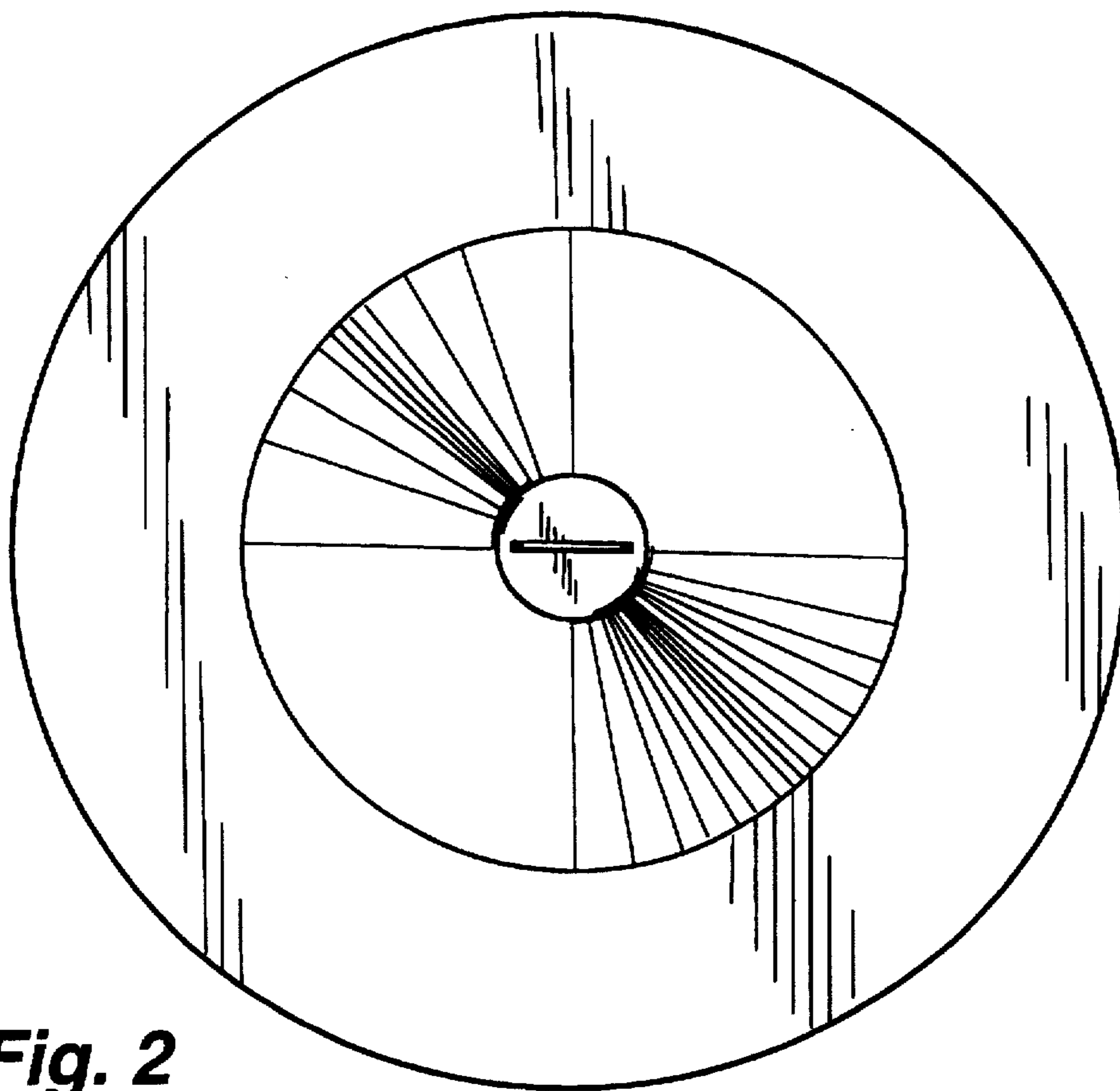
FIG. 7 is an exploded view thereof, with the broken lines showing environmental association matter being for illustrative purposes only and forming no part of the claimed design.

1 Claim, 4 Drawing Sheets

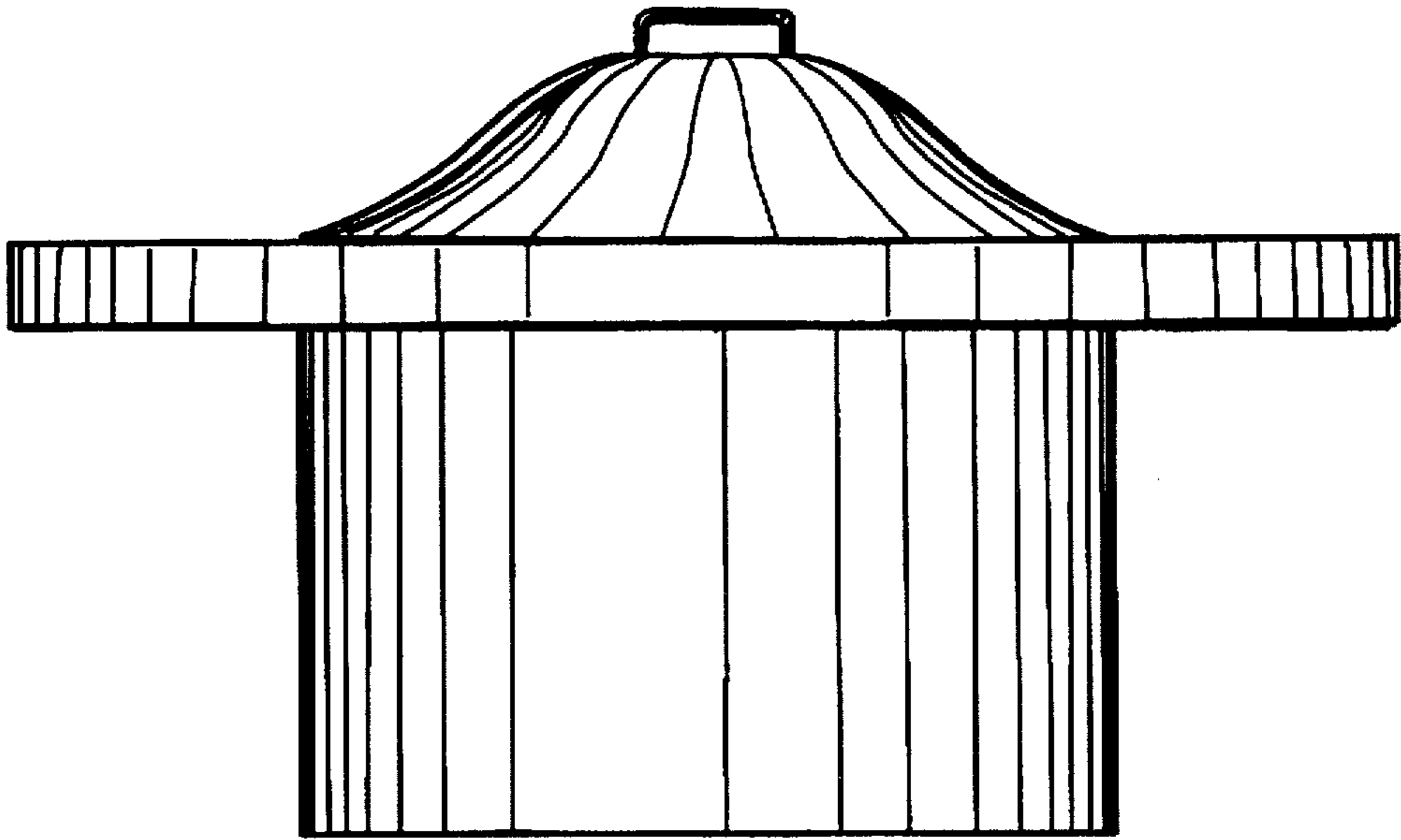




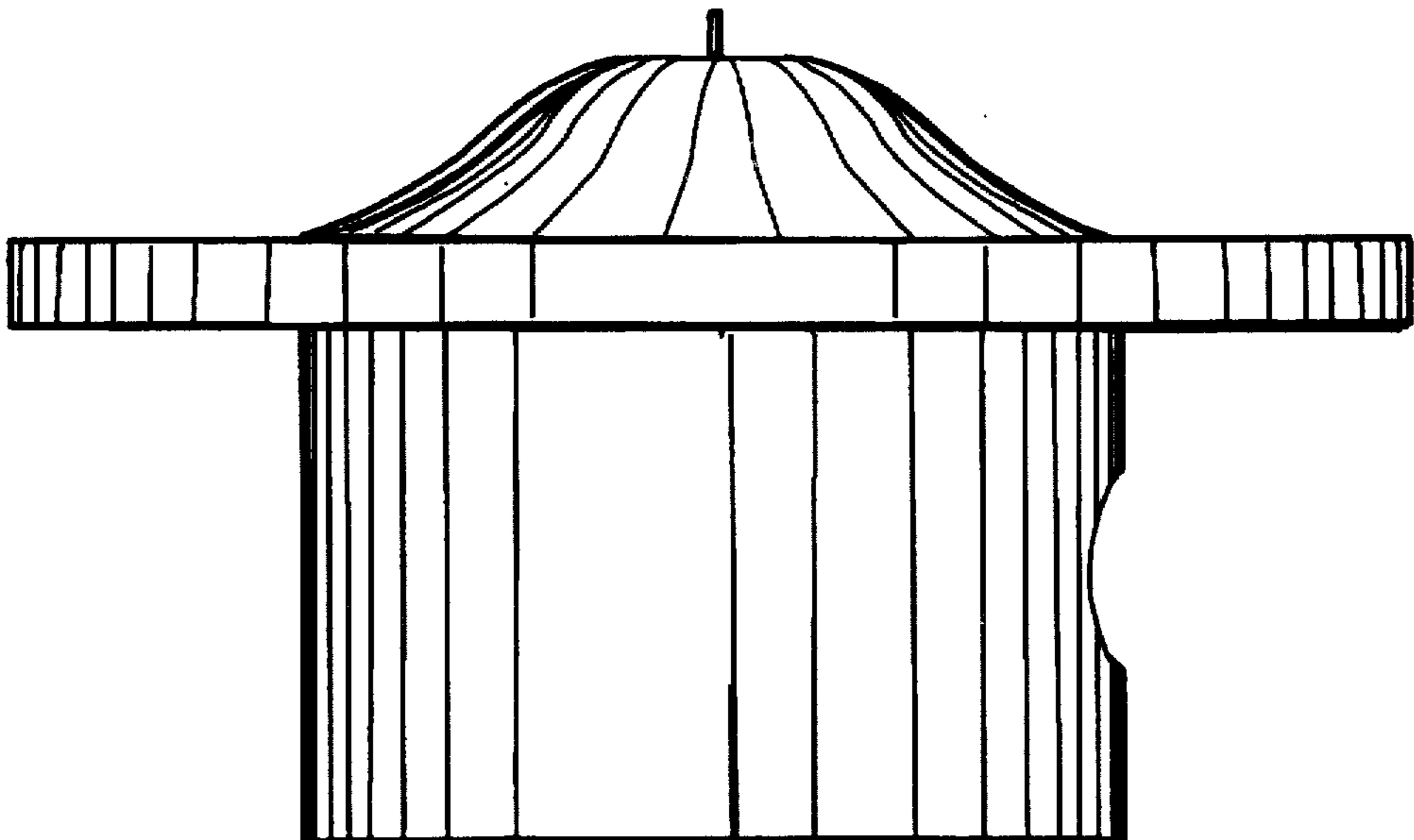
**Fig. 1**



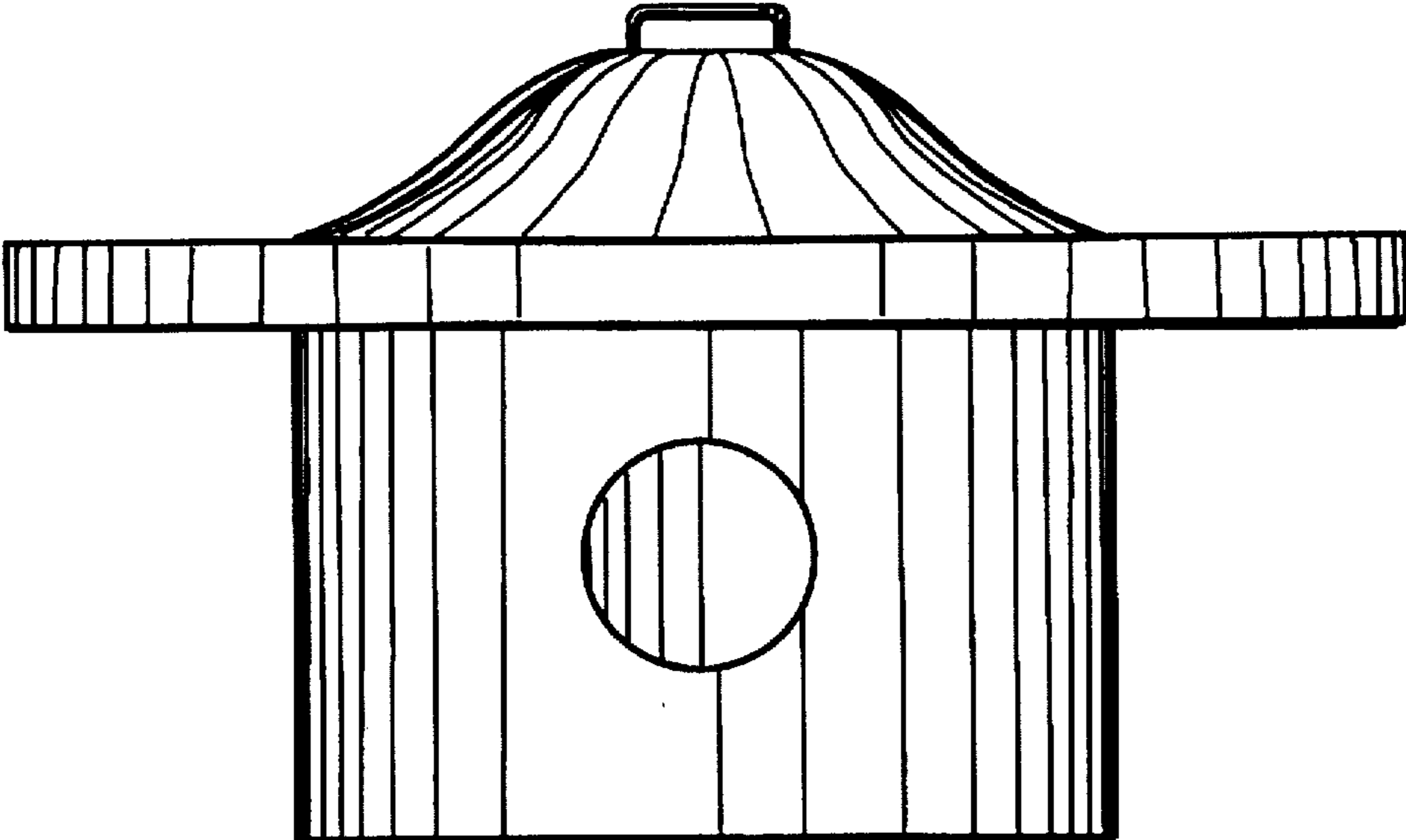
**Fig. 2**



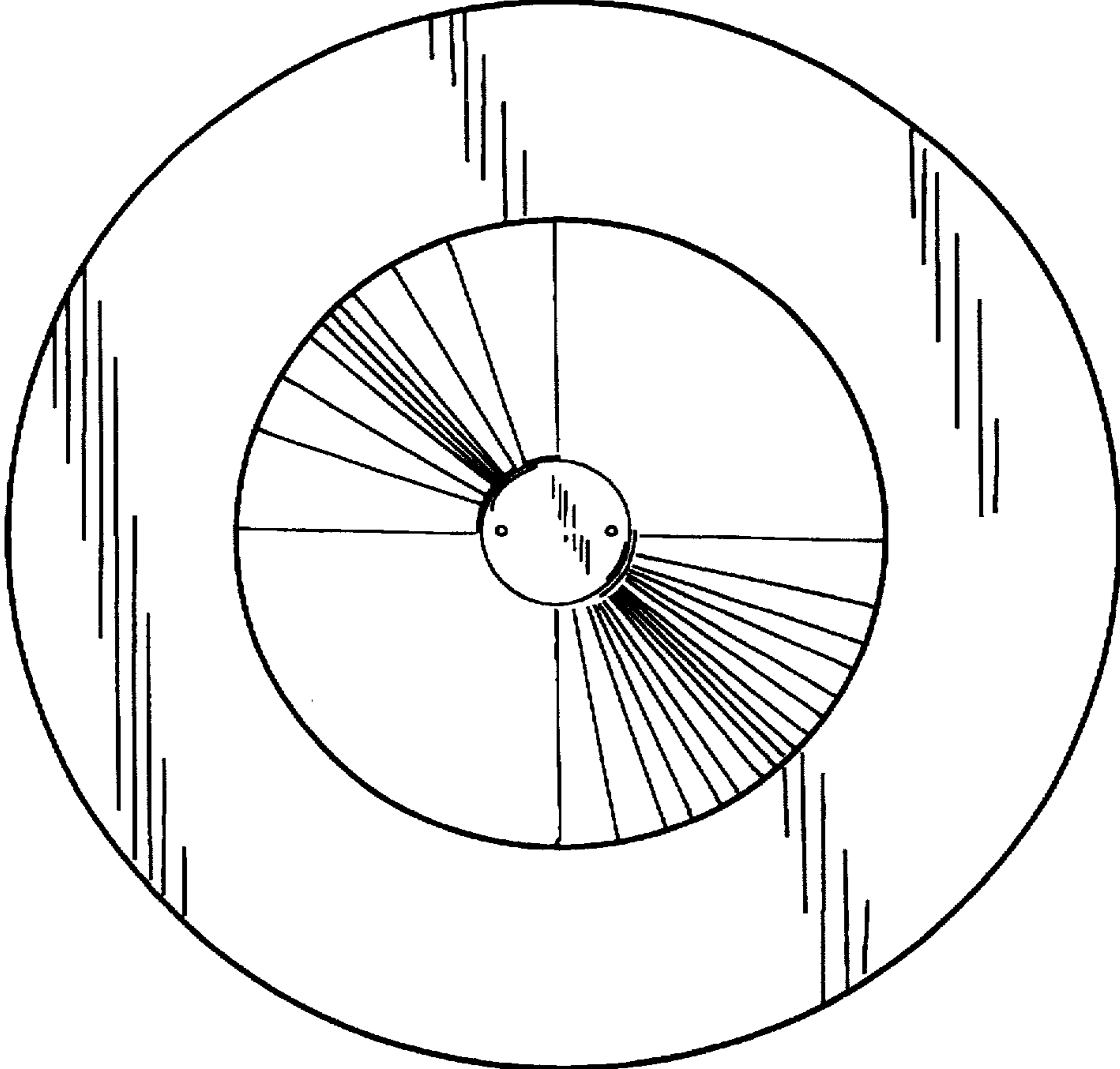
**Fig. 3**



**Fig. 4**



**Fig. 5**



**Fig. 6**

**Fig. 7**

