



US00D394778S

United States Patent [19]

Arns et al.

[11] Patent Number: **Des. 394,778**

[45] Date of Patent: ****Jun. 2, 1998**

[54] **KITCHEN UTENSIL FOR HOT AND COLD LIQUIDS**

[75] Inventors: **Stefan Arns, Göteborg; Ulf Askeröth, Västra Frölunda, both of Sweden**

[73] Assignee: **PTS Askeröth AB, Sweden**

[**] Term: **14 Years**

[21] Appl. No.: **58,162**

[22] Filed: **Aug. 9, 1996**

[30] **Foreign Application Priority Data**

Feb. 12, 1996 [SE] Sweden 96-0356

[51] LOC (6) Cl. **07-01**

[52] U.S. Cl. **D7/313; D7/312; D7/608**

[58] Field of Search D7/309, 608, 605, D7/311, 312, 321, 322, 313, 306; 99/275, 306; 220/326

[56] **References Cited**

U.S. PATENT DOCUMENTS

- D. 274,685 7/1984 Ohmoto D7/313
- D. 280,691 9/1985 Santoimma D7/313 X
- D. 293,409 12/1987 Seike et al. D7/313
- D. 293,537 1/1988 Seike et al. D7/313
- D. 296,975 8/1988 Nakagawa et al. D7/608 X
- D. 323,265 1/1992 Lu D7/608 X

- D. 336,208 6/1993 Pujol Gibert D7/608 X
- D. 338,366 8/1993 Ueda et al. D7/312
- 4,189,061 2/1980 Yu D7/608 X
- 4,359,174 11/1982 Ikunosuke et al. D7/313 X
- 4,464,983 8/1984 Chappell et al. D7/313 X

OTHER PUBLICATIONS

Vacuum bottle(center/left), Gifts and Decorative Accessories, p. 105 Feb. 1984.
Nissan TAA 1900, Consumer Reports, p. 521 Aug. 1989.

Primary Examiner—M. N. Pandozzi
Attorney, Agent, or Firm—Lerner, David, Littenberg, Krumholz & Mentlik

[57] **CLAIM**

The ornamental design for a kitchen utensil for hot and cold liquids, as shown and described.

DESCRIPTION

FIG. 1 is a right side elevational view of a kitchen utensil for hot and cold liquids in accordance with the present invention, with the left side elevational view being the mirror image thereof;

FIG. 2 is a front elevational view of the kitchen utensil for hot and cold liquids in accordance with the present invention as shown in FIG. 1;

FIG. 3 is a top plan view thereof; and,

FIG. 4 is a bottom plan view thereof.

1 Claim, 3 Drawing Sheets

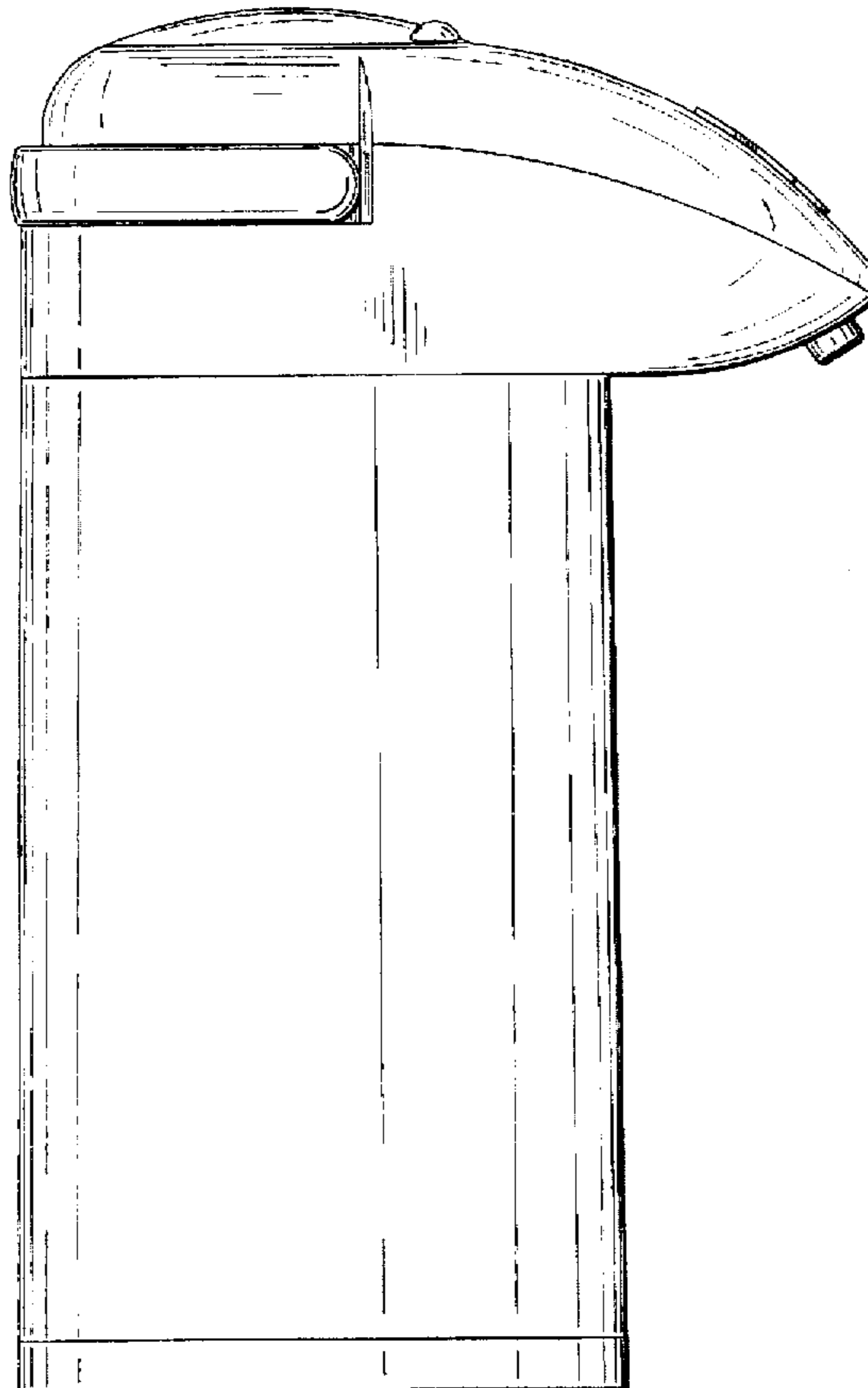


FIG. 1

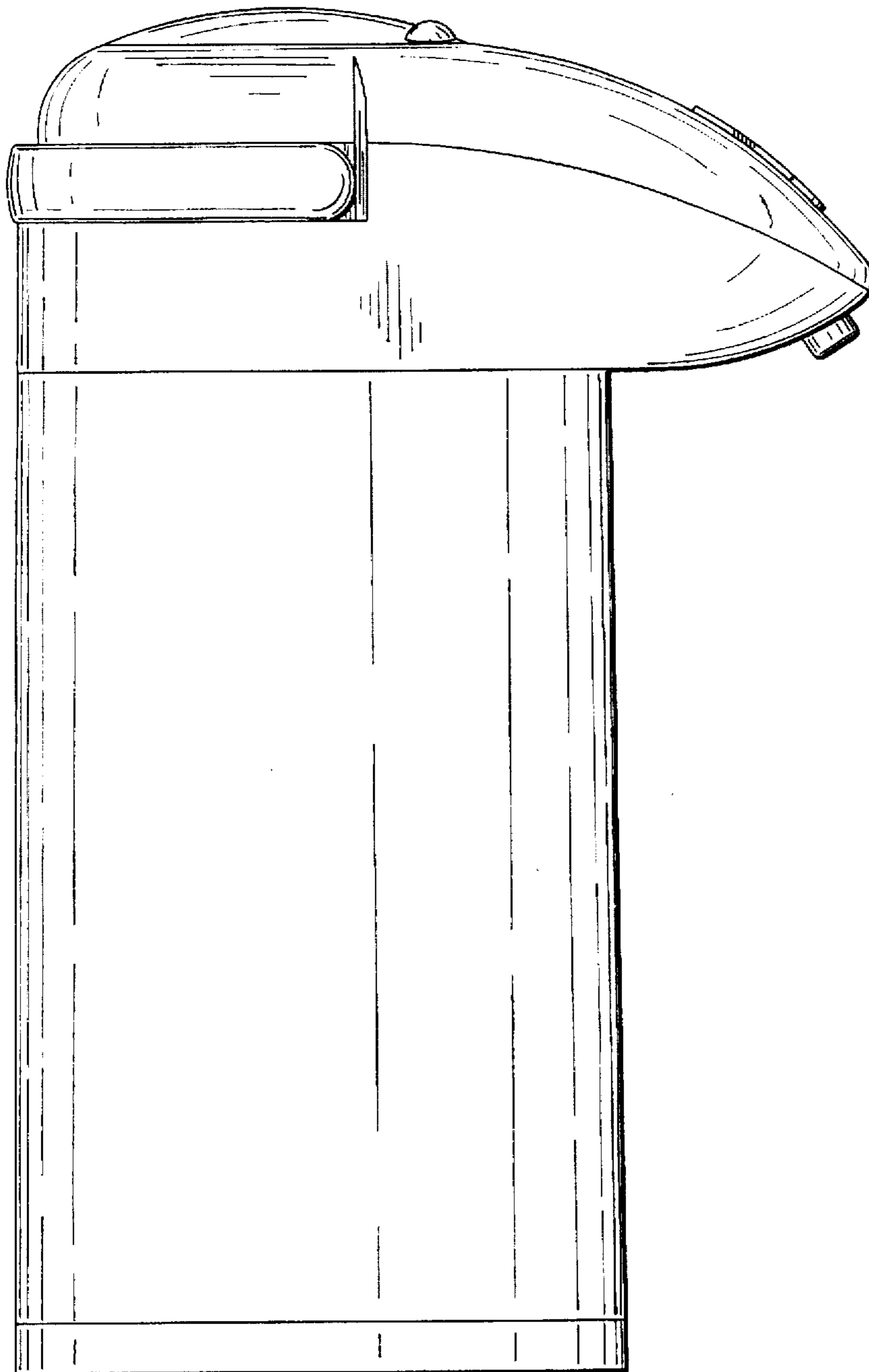


FIG. 2

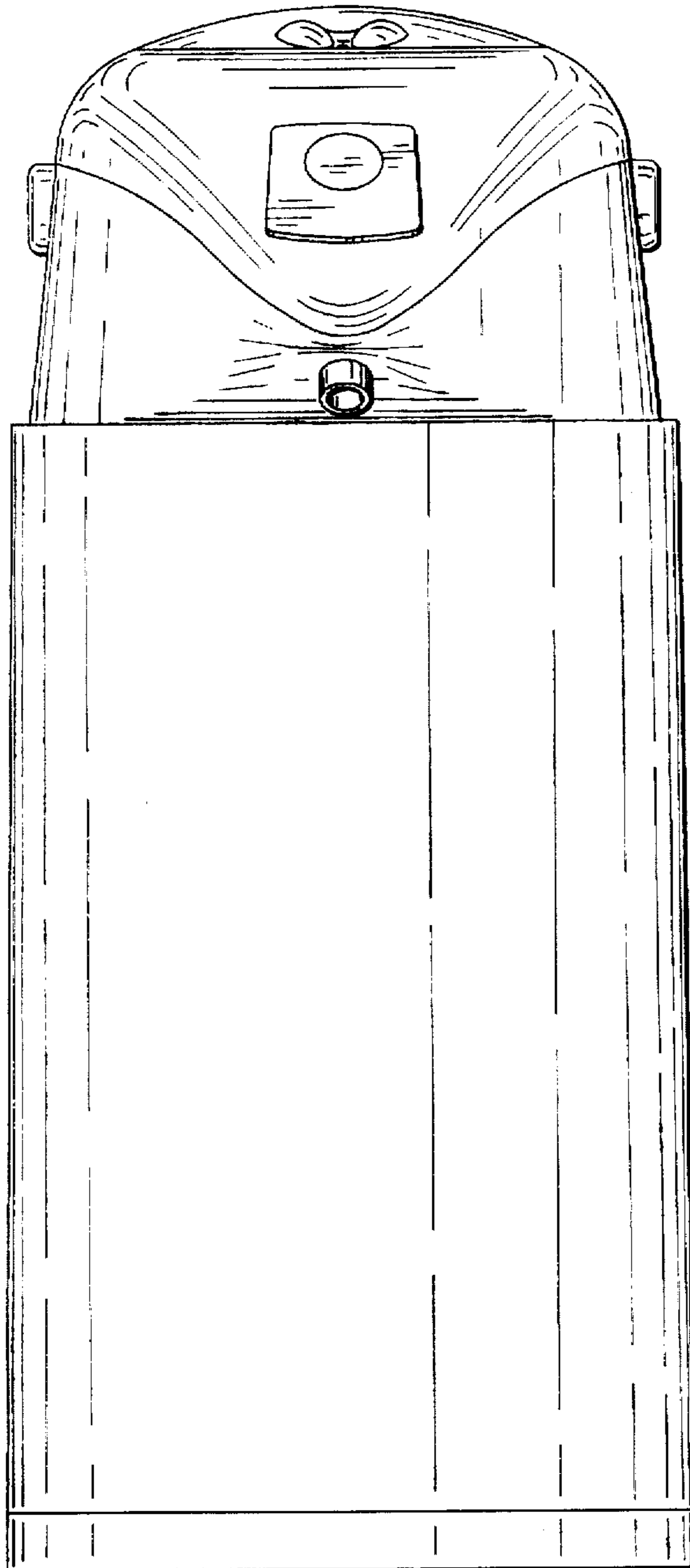


FIG. 3

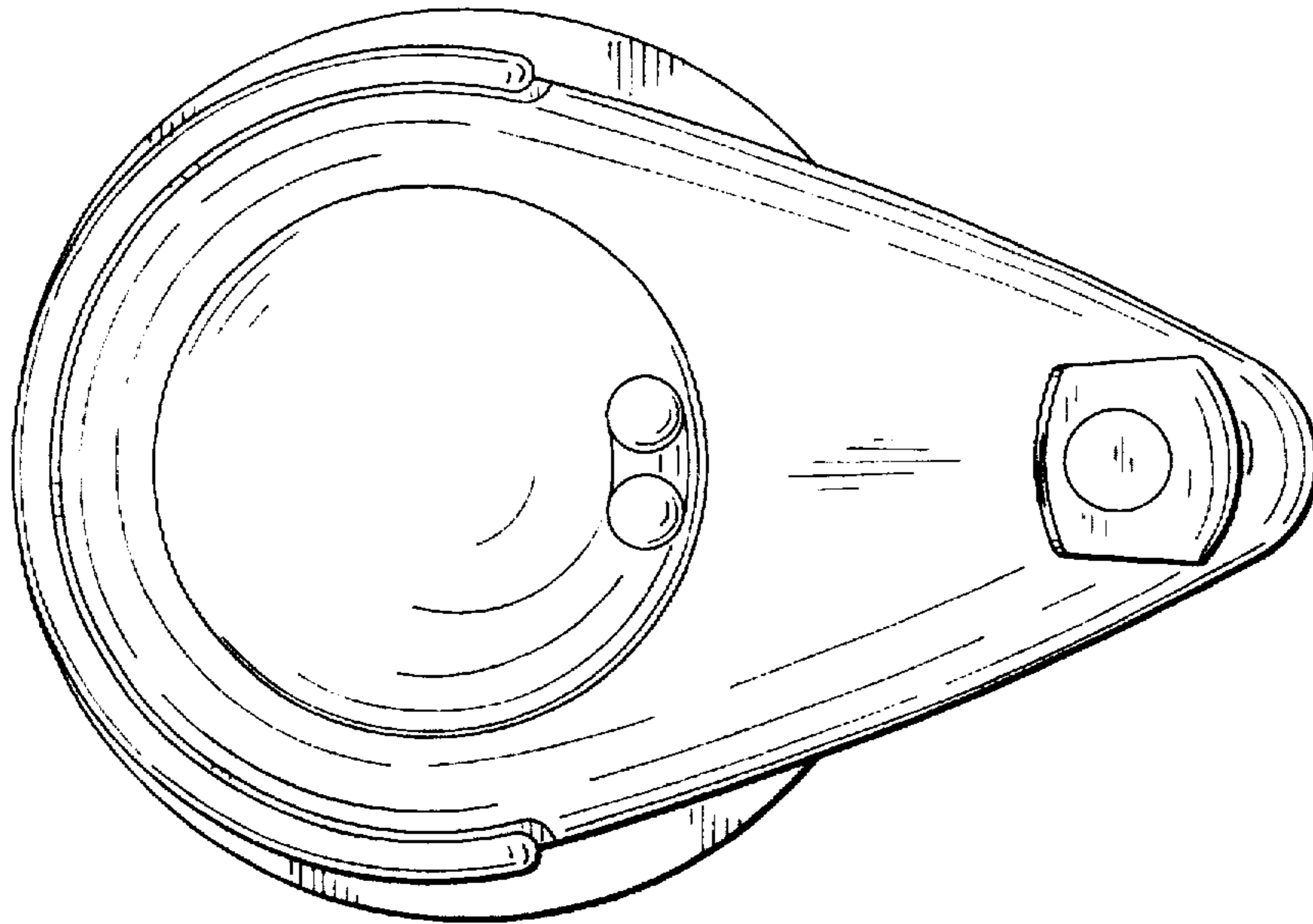


FIG. 4

