



US00D394776S

# United States Patent [19] Callas

[11] Patent Number: Des. 394,776  
[45] Date of Patent: \*\*Jun. 2, 1998

[54] FLOOR MAT BORDER  
[76] Inventor: Mike T. Callas, 120 Gideons Point Rd.,  
Tonka Bay, Minn. 55331  
[\*\*] Term: 14 Years  
[21] Appl. No.: 60,140  
[22] Filed: Sep. 23, 1996  
[51] LOC (6) Cl. .... 06-11  
[52] U.S. Cl. .... D6/587  
[58] Field of Search ..... D6/582, 587; 16/7,  
16/8, 4, 9, 16; 15/215-217; 52/273, 222.1,  
288.1; 428/122; D25/119

5,114,774 5/1992 Maxim, Jr. .  
5,142,733 9/1992 Mogel et al. .  
5,157,804 10/1992 Williams .

### FOREIGN PATENT DOCUMENTS

1375276 11/1972 United Kingdom ..... 16/7

Primary Examiner—James Gandy  
Assistant Examiner—Linda Brooks  
Attorney, Agent, or Firm—Burd Bartz & Gutenkauf

### [57] CLAIM

The ornamental design for a floor mat border, as shown and described.

### DESCRIPTION

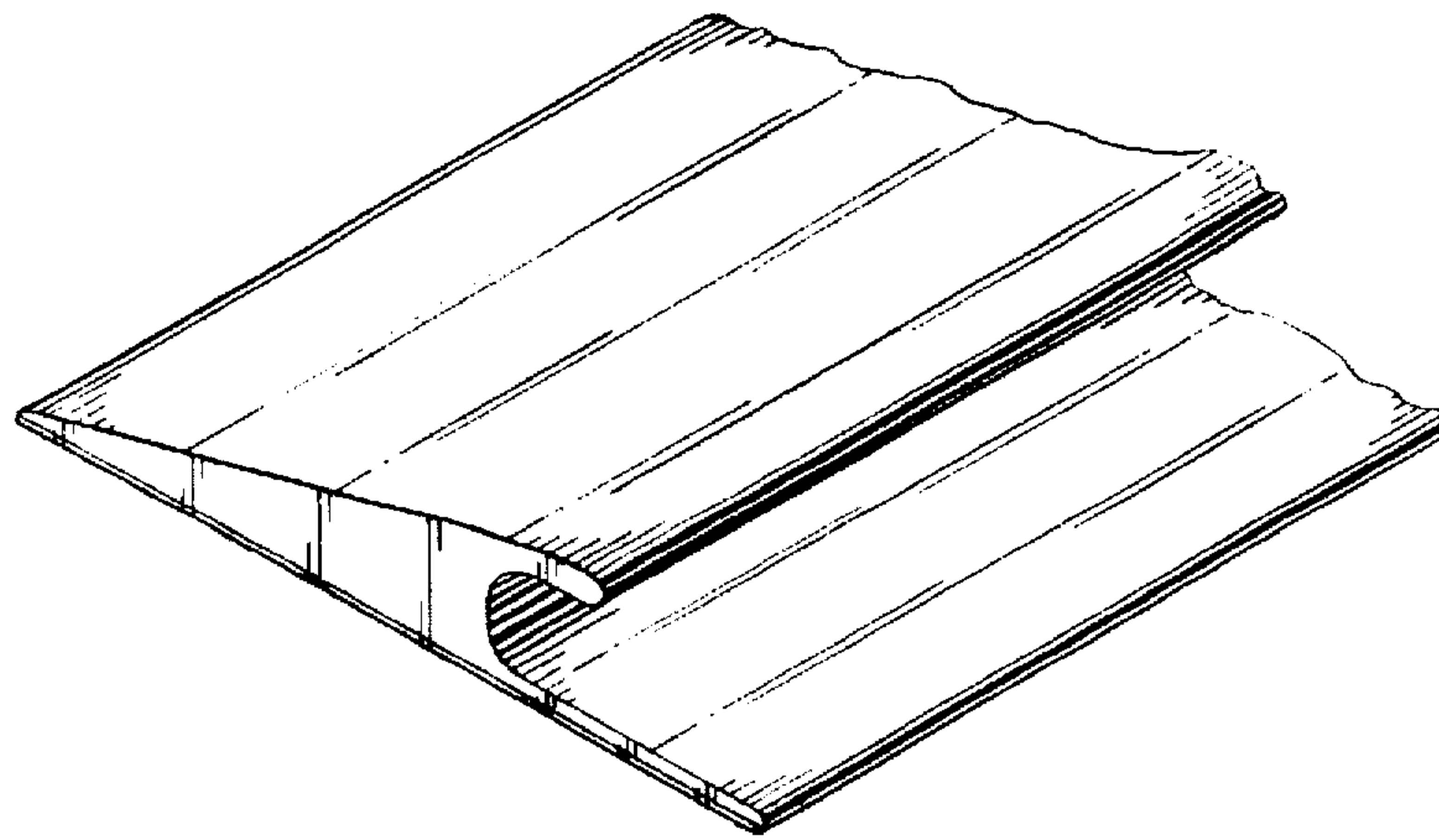
FIG. 1 is a perspective view of the floor mat border of my design, shown broken away at one end to indicate indeterminate length, it being understood that the contours repeat uniformly along its length;  
FIG. 2 is a top plan view thereof, shown broken away in the middle to indicate indeterminate length;  
FIG. 3 is a front elevational view of FIG. 2;  
FIG. 4 is a bottom plan view of FIG. 2;  
FIG. 5 is a rear elevational view of FIG. 2;  
FIG. 6 is an end elevational view of FIG. 2, the opposite end being a mirror image thereof; and,  
FIG. 7 is a sectional view taken along line 7—7 of FIG. 2.

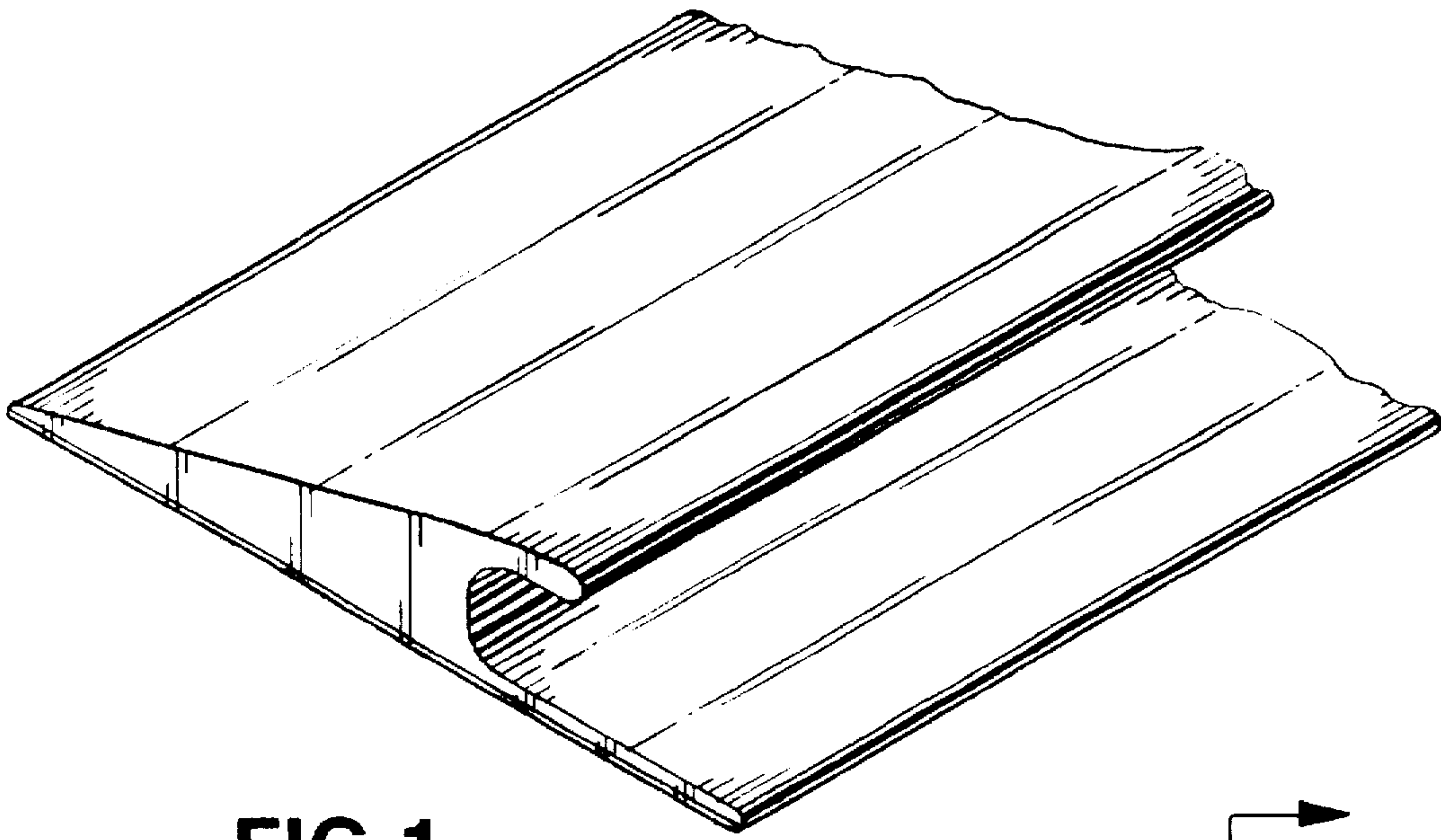
### [56] References Cited

#### U.S. PATENT DOCUMENTS

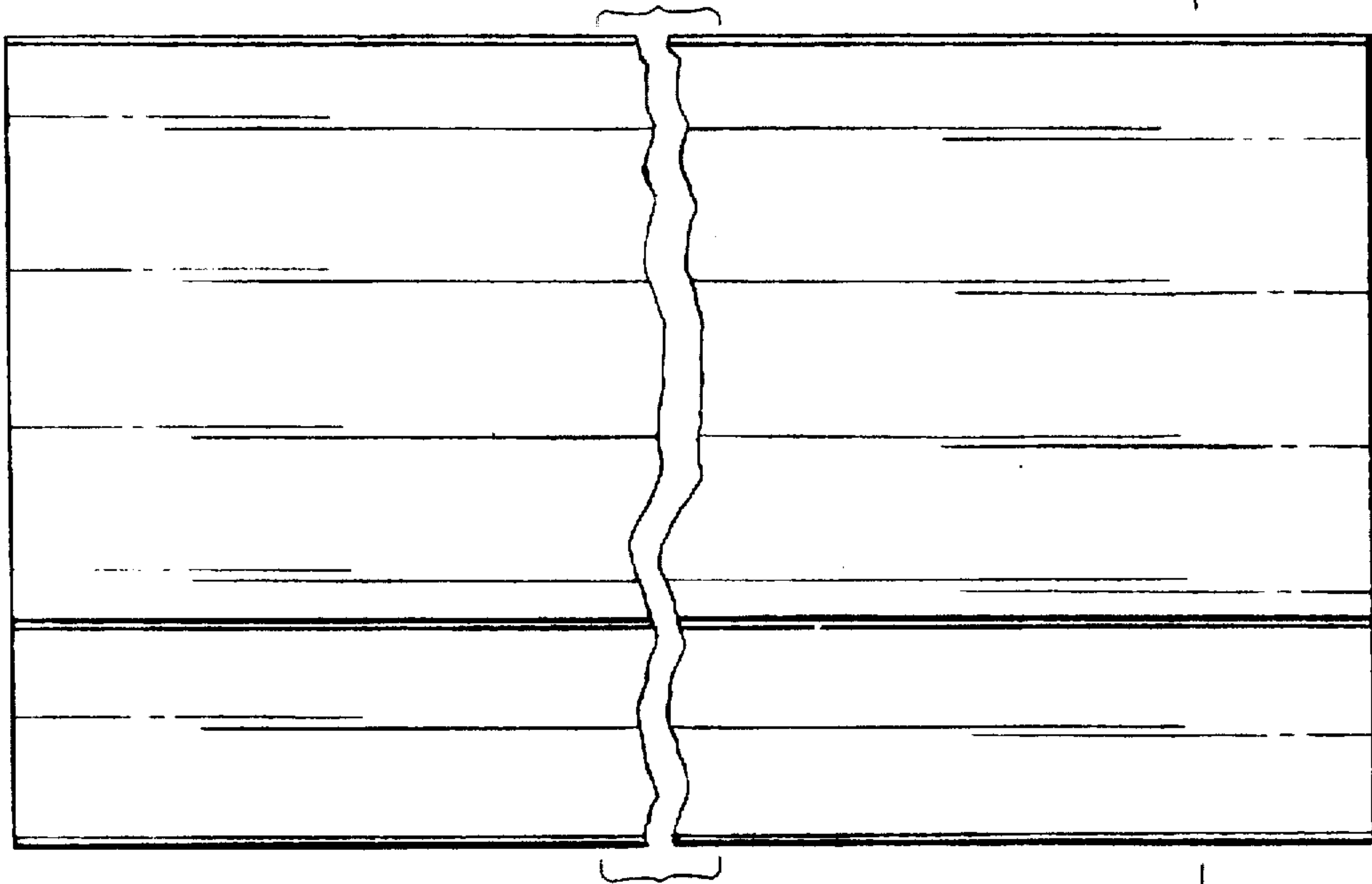
D. 267,535 1/1983 Yamazaki et al. .... D6/587  
D. 299,171 12/1988 Allen, Jr. .... D15/164  
2,258,314 10/1941 Bonnell ..... 16/7  
3,234,577 2/1966 Mann, Jr. .  
3,238,544 3/1966 Mann, Jr. .  
3,435,480 4/1969 Mann, Jr. .  
3,435,481 4/1969 Kessler .  
4,054,698 10/1977 Hamrah .  
4,353,944 10/1982 Tarui .  
4,654,245 3/1987 Balzer et al. .  
4,877,672 10/1989 Shreiner .  
5,018,235 5/1991 Stamatou et al. .... 15/215

1 Claim, 2 Drawing Sheets

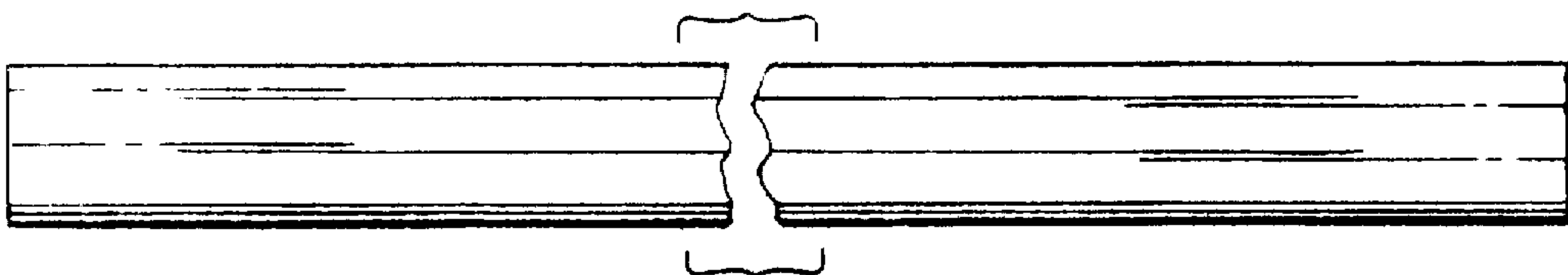
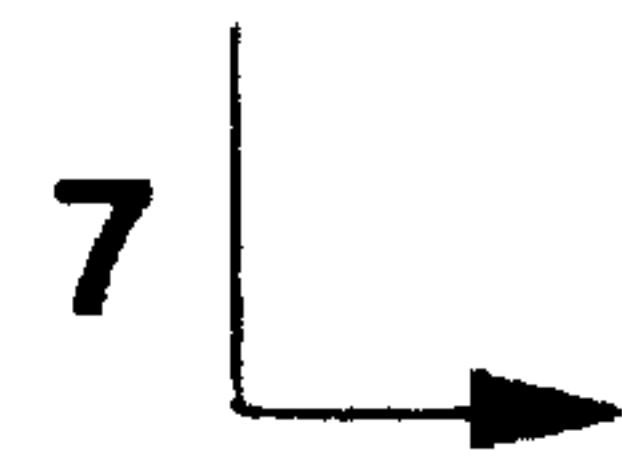




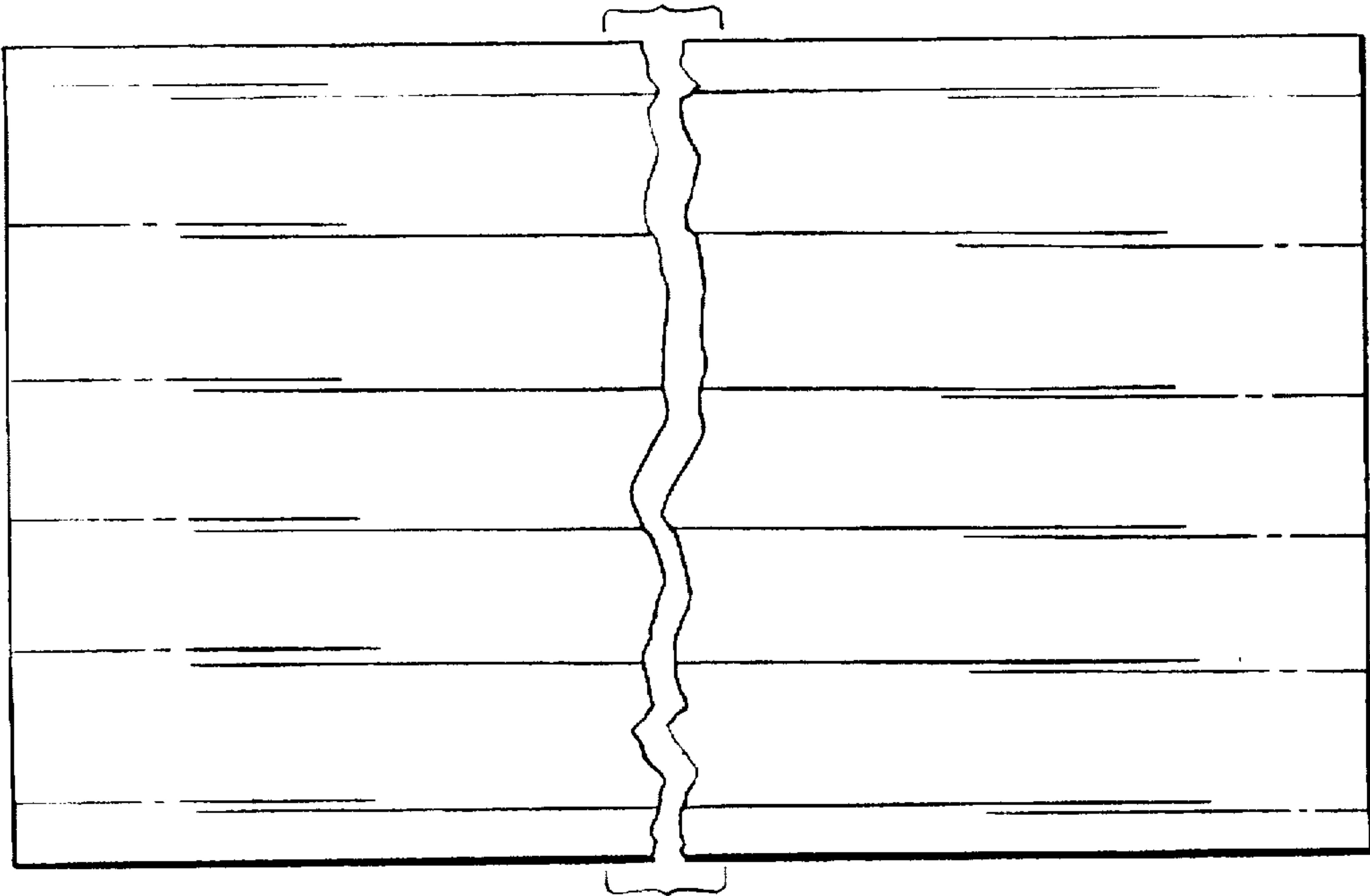
**FIG. 1**



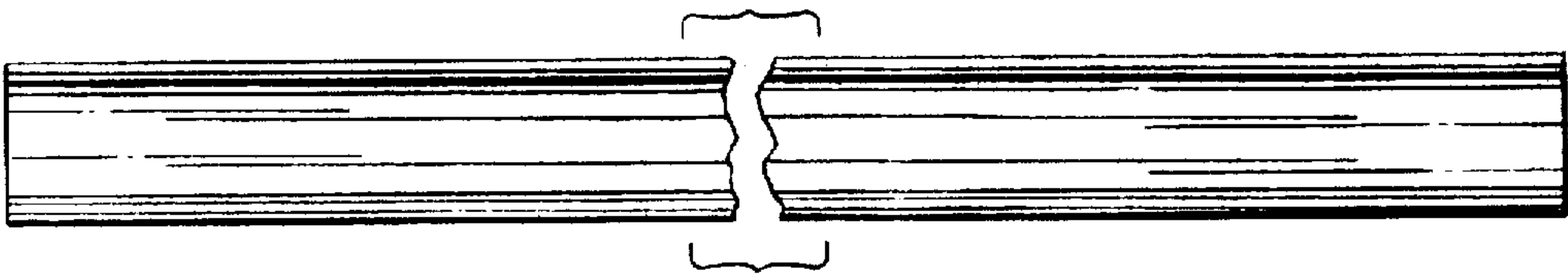
**FIG. 2**



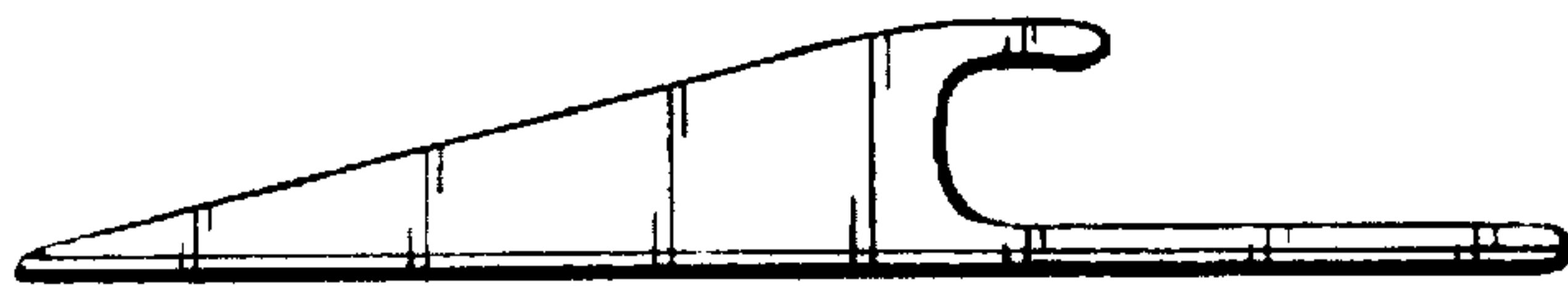
**FIG. 3**



**FIG. 4**



**FIG. 5**



**FIG. 6**



**FIG. 7**