



US00D394775S

United States Patent [19]

Anderson et al.

[11] Patent Number: **Des. 394,775**

[45] Date of Patent: ****Jun. 2, 1998**

[54] **HAND TOOL ORGANIZER**

[75] Inventors: **Torrence C. Anderson; Lyle A. Rosine**, both of Aurora, Ill.

[73] Assignee: **Suncast Corporation**, Batavia, Ill.

[**] Term: **14 Years**

[21] Appl. No.: **59,926**

[22] Filed: **Sep. 18, 1996**

[51] LOC (6) Cl. **06-04**

[52] U.S. Cl. **D6/574**

[58] Field of Search **D6/567, 552, 553, D6/572, 574; 211/60.1, 70.6, 70.7, 65-66, 68, 20.7; D3/228**

[56] **References Cited**

U.S. PATENT DOCUMENTS

- D. 188,221 6/1960 Maro D6/567 X
- D. 340,606 10/1993 Hubbard D6/567
- D. 340,608 10/1993 Hubbard D6/567

- D. 340,610 10/1993 Hubbard D6/567
- D. 340,828 11/1993 Hubbard D6/567
- D. 372,827 8/1996 Roche et al. D6/567
- 3,269,550 8/1966 Marcus 211/70.6
- 4,583,647 4/1986 Schinzing 211/70.6 X

*Primary Examiner—Pamela Burgess
Attorney, Agent, or Firm—McHale & Slavin*

[57] **CLAIM**

The ornamental design for a hand tool organizer, as shown and described.

DESCRIPTION

FIG. 1 is a top perspective view of a hand tool organizer showing our new design;
FIG. 2 is a front elevational view thereof;
FIG. 3 is a top plan view thereof;
FIG. 4 is a right side elevational view thereof;
FIG. 5 is a left side elevational view thereof;
FIG. 6 is a rear elevational view thereof; and,
FIG. 7 is a bottom plan view thereof.

1 Claim, 3 Drawing Sheets

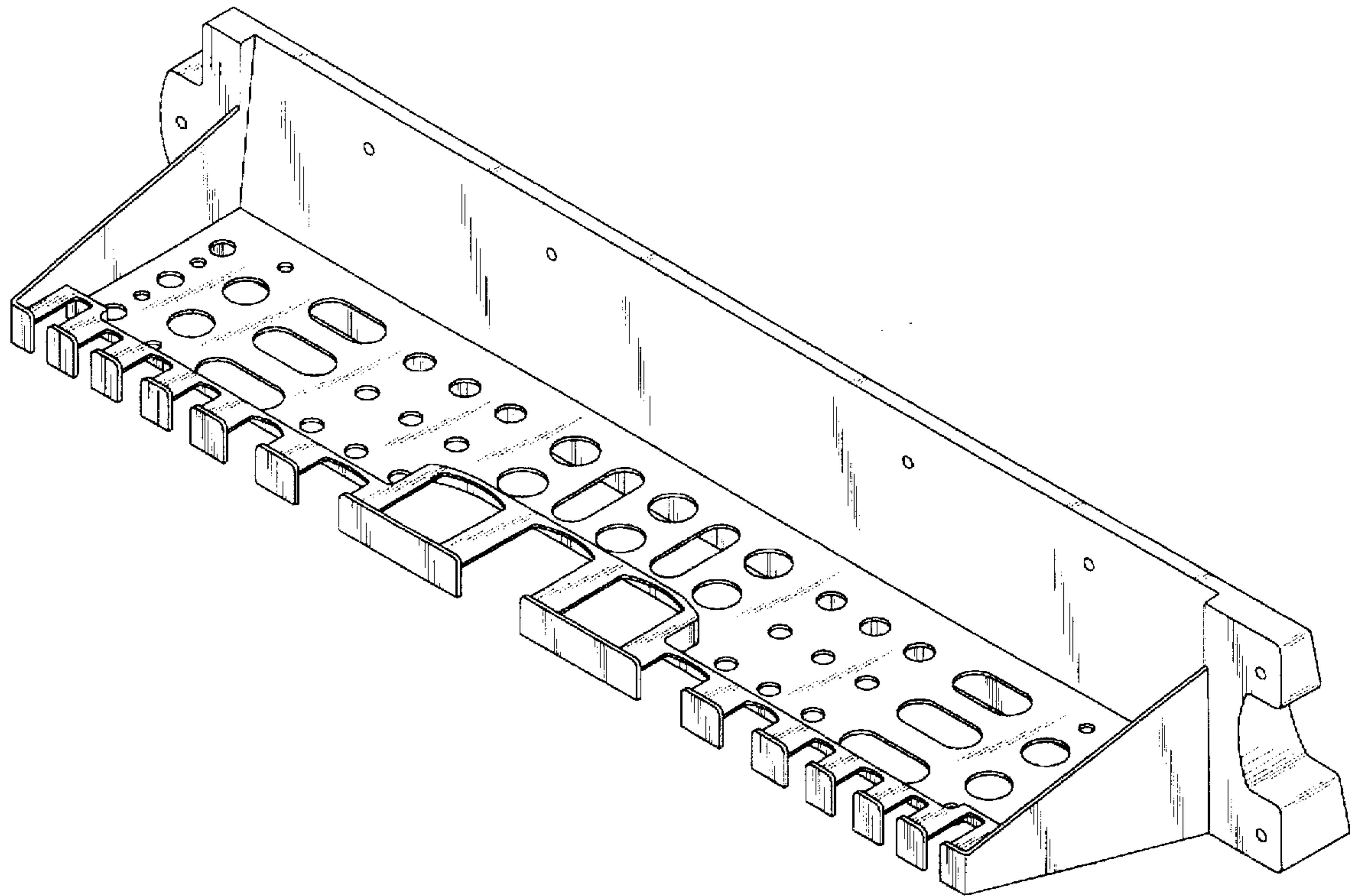


FIG. 4

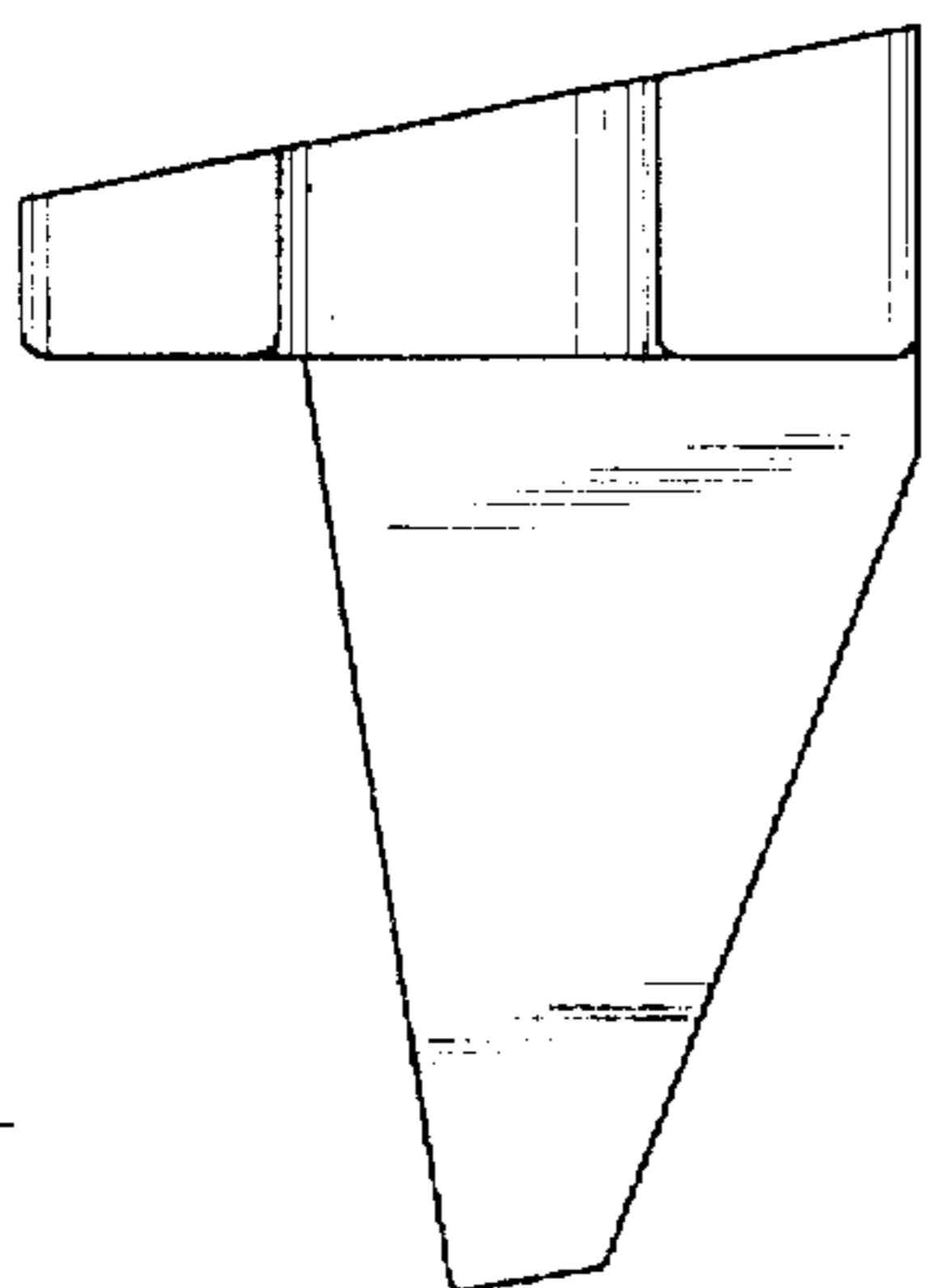


FIG. 1

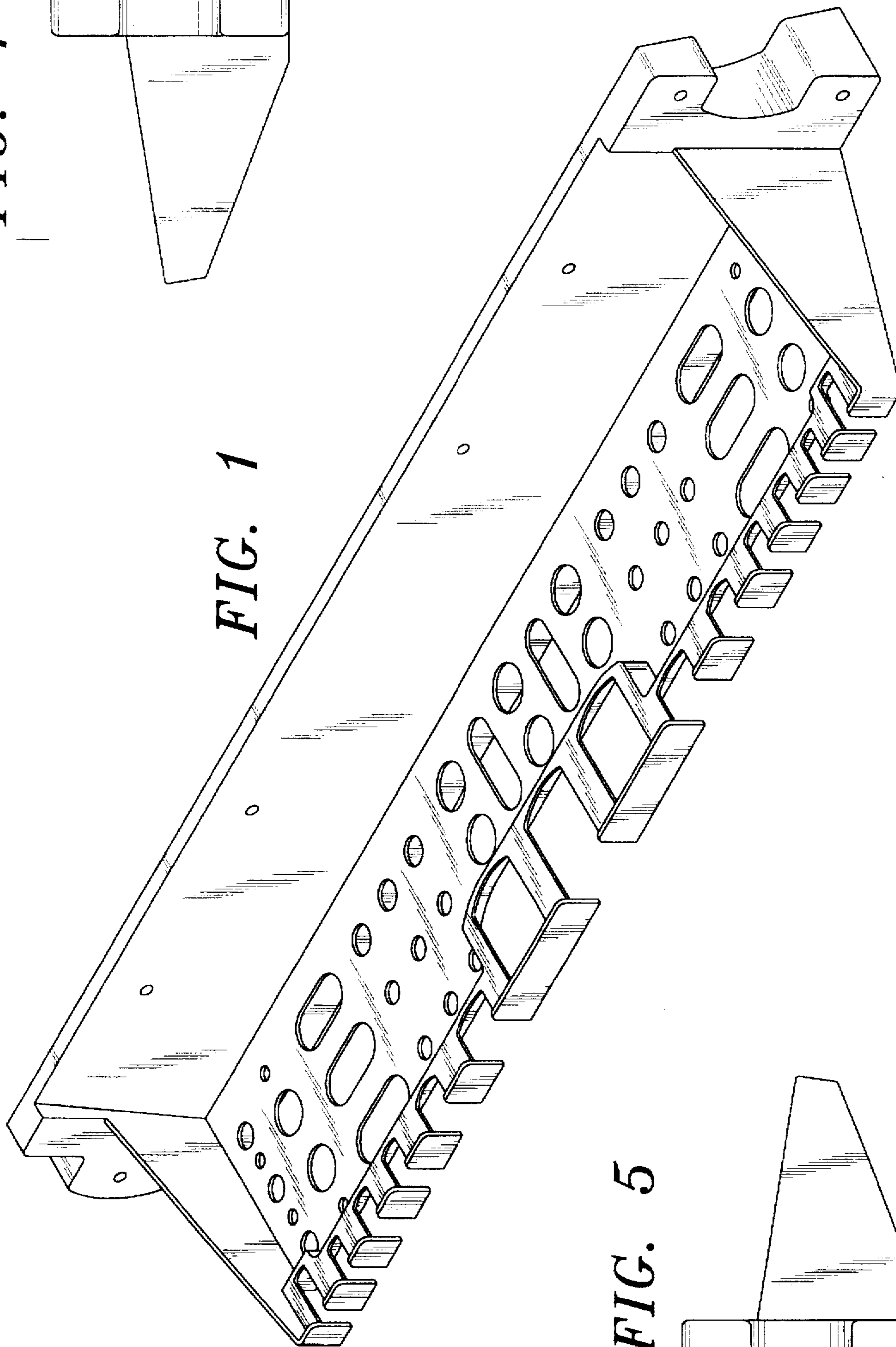


FIG. 5

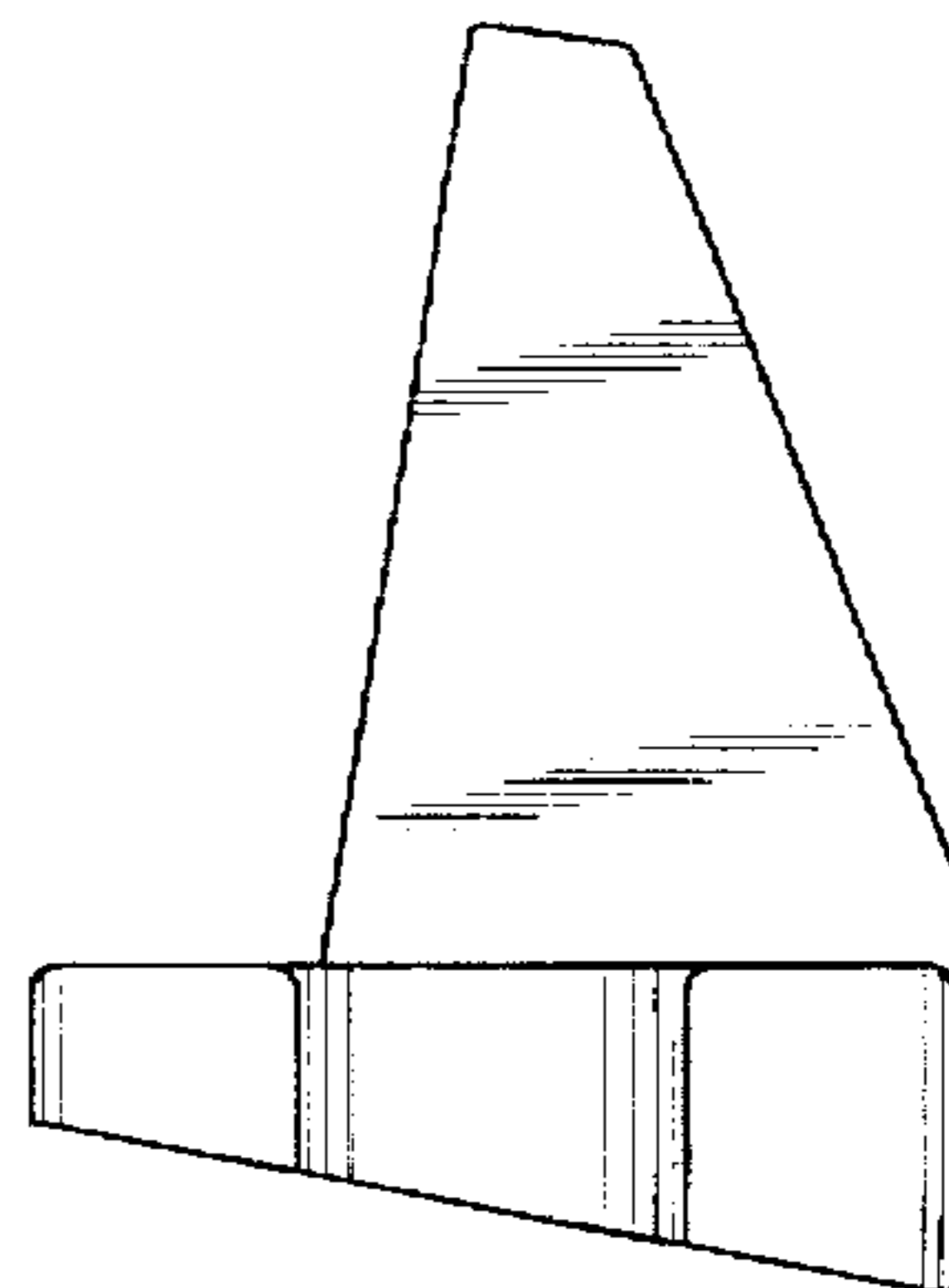


FIG. 2

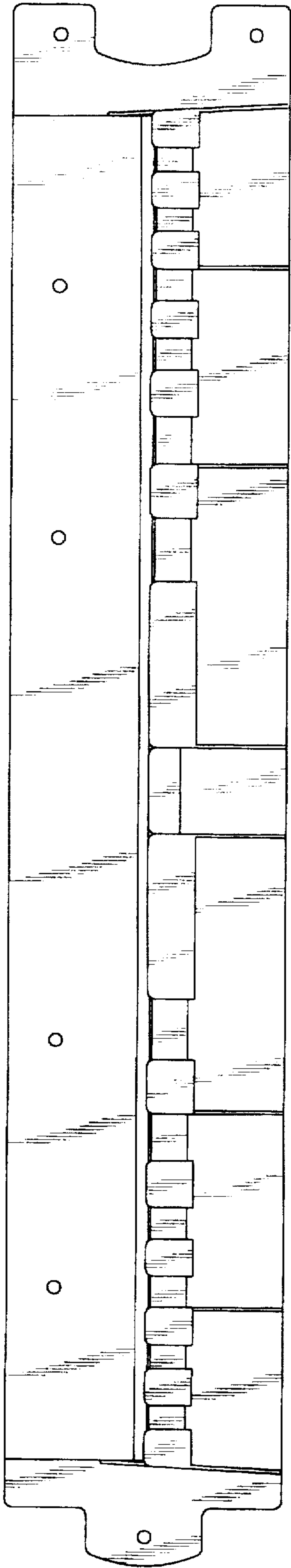


FIG. 3

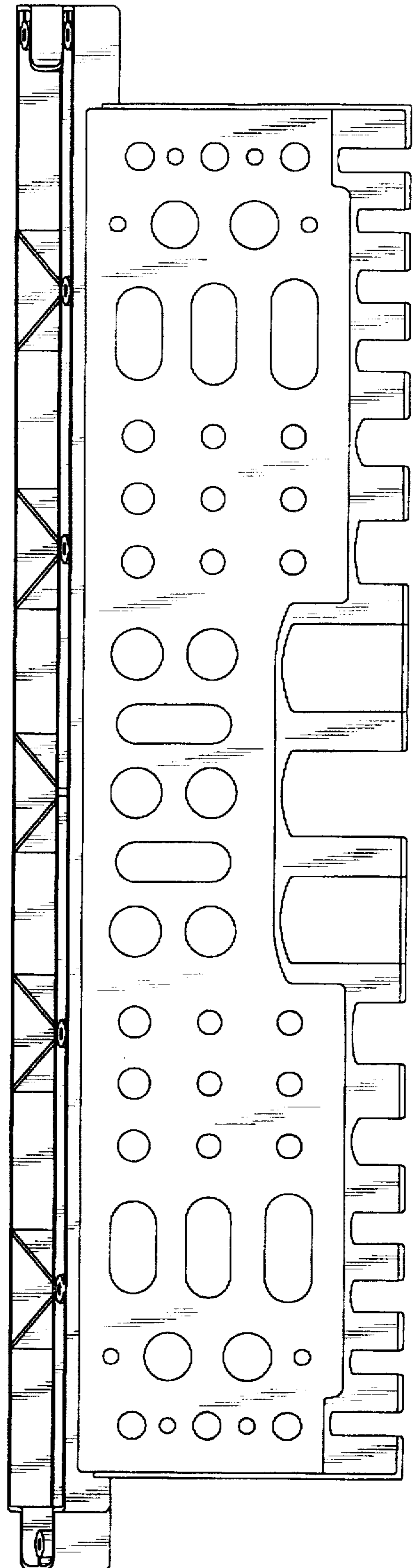


FIG. 7

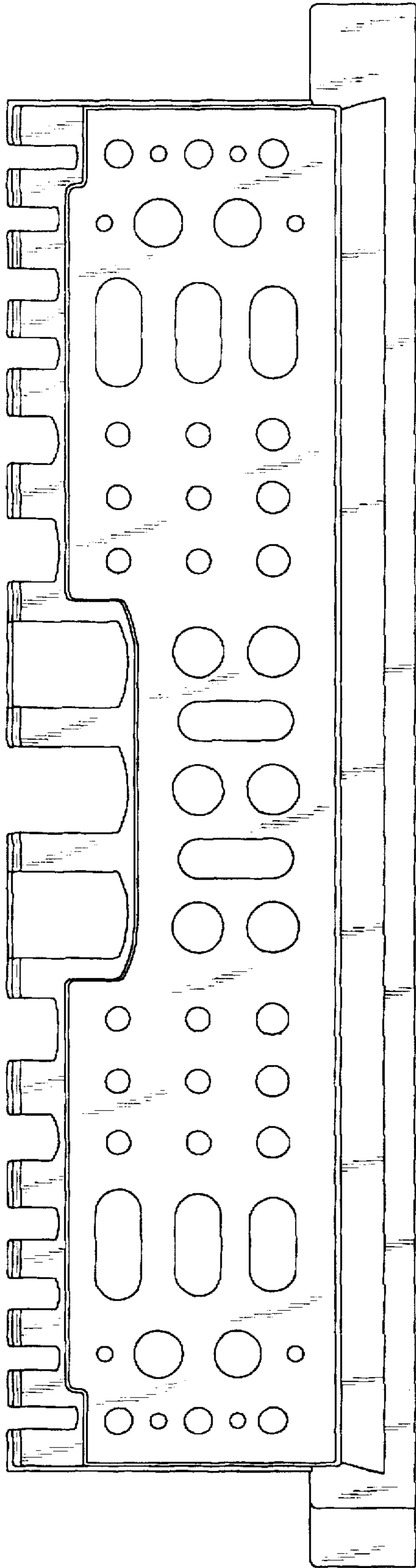


FIG. 6

