



US00D394774S

United States Patent [19]

St-Pierre et al.

[11] Patent Number: **Des. 394,774**

[45] Date of Patent: ****Jun. 2, 1998**

[54] **CIGARETTE PACK DISPLAY UNIT**

[75] Inventors: **Yvon St-Pierre; Andre Dubeau; Roch Cyr**, all of Montreal, Canada

[73] Assignee: **Imperial Tobacco Limited**, Quebec, Canada

[**] Term: **14 Years**

[21] Appl. No.: **59,868**

[22] Filed: **Sep. 17, 1996**

[30] Foreign Application Priority Data

Jun. 20, 1996 [CA] Canada 1996-1430

[51] **LOC (6) Cl.** **06-04**

[52] **U.S. Cl.** **D6/571; D6/574**

[58] **Field of Search** **D6/570, 571, 567, D6/574, 553, 512; 312/198; 108/59, 60, 92; 211/59.2, 86, 87, 88, 90, 134, 135, 187, 188; D7/590, 601; D20/42**

[56] References Cited

U.S. PATENT DOCUMENTS

D. 83,798 3/1931 Gibson .

D. 142,952 11/1945 Ford .

D. 148,607 2/1948 Broadbent .

D. 174,377 4/1955 Dossman D6/571

D. 177,737 5/1956 King et al. .

D. 178,575 8/1956 Hanson D6/571

D. 195,492 6/1963 Behne D6/570

D. 218,322 8/1970 Smith D6/571

D. 234,172 1/1975 Ranney .

D. 256,199 8/1980 Burke et al. .

D. 267,383 12/1982 Liptak et al. .

D. 279,638 7/1985 Kellogg .

D. 281,477 11/1985 Neff .

D. 323,766 2/1992 Robbins et al. D6/574 X

D. 354,646 1/1995 Weinstein D6/571 X

D. 358,049 5/1995 Wilson .

2,900,667 8/1959 Longenecker 211/135 X

4,121,377 10/1978 Allen et al. 108/59 X

5,114,022 5/1992 Rood 108/924

FOREIGN PATENT DOCUMENTS

46362 12/1979 Canada .

50738 11/1983 Canada .

Primary Examiner—Pamela J. Burgess
Attorney, Agent, or Firm—Beveridge, DeGrandi, Weilacher & Young LLP

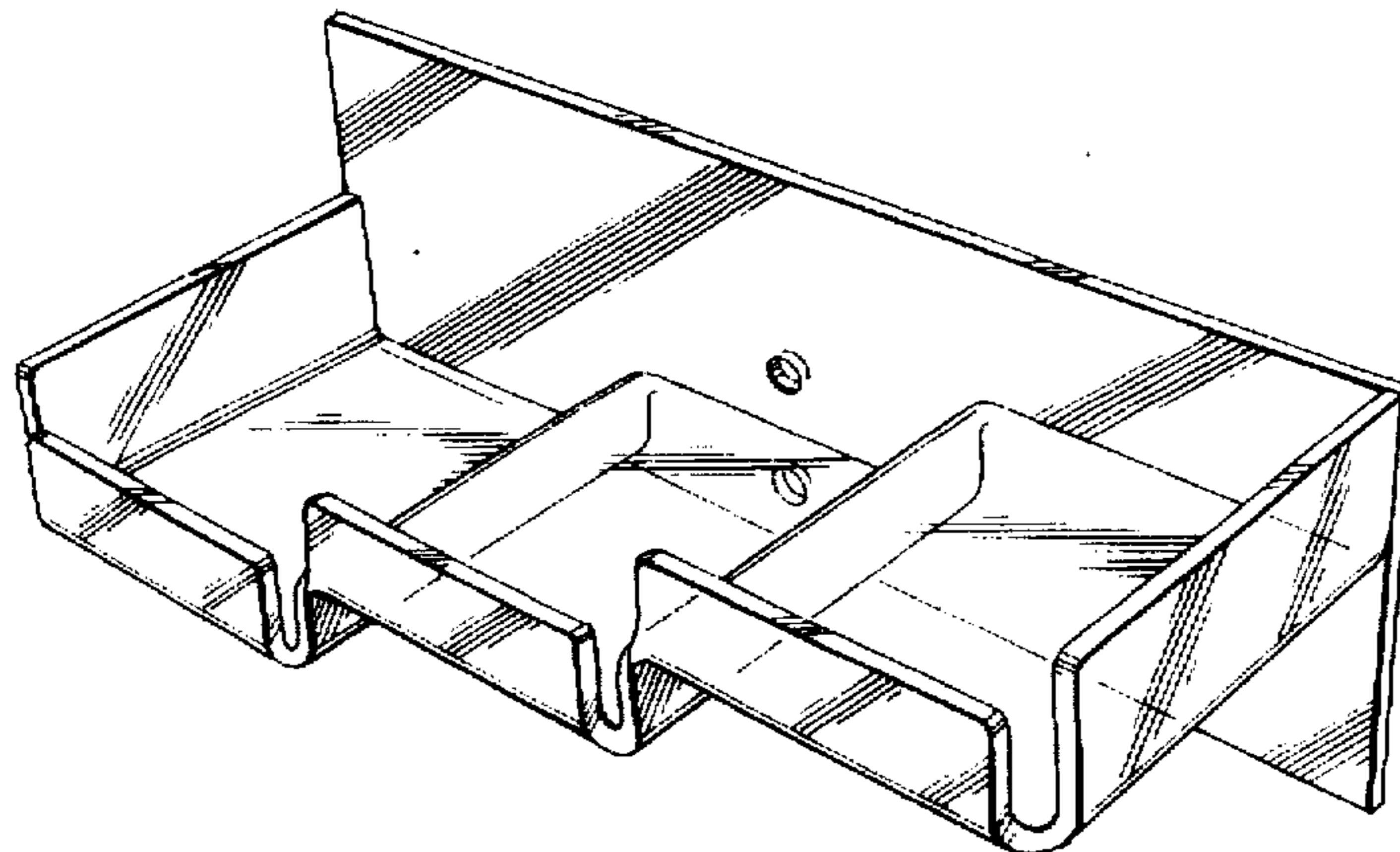
[57] CLAIM

The ornamental design for a cigarette pack display unit, as shown and described.

DESCRIPTION

FIG. 1 is a top perspective view from the front and one side of the cigarette pack display unit of the invention;
 FIG. 2 is a front elevational view thereof;
 FIG. 3 is a rear elevational view thereof;
 FIG. 4 is a plan view thereof;
 FIG. 5 is an underneath plan view thereof;
 FIG. 6 is a right side elevational view thereof; and,
 FIG. 7 is a left side elevational view.

1 Claim, 3 Drawing Sheets



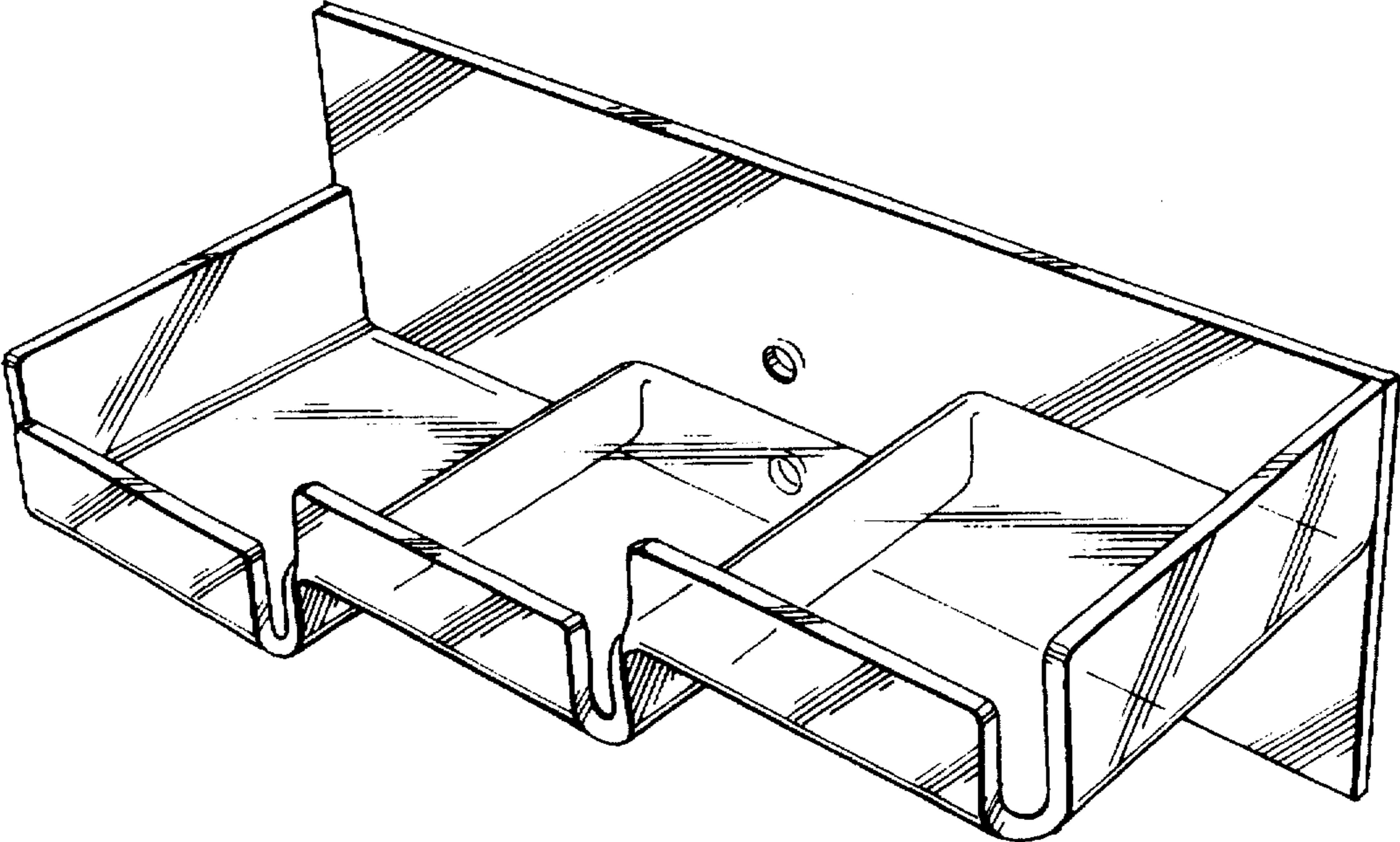


FIG. 1

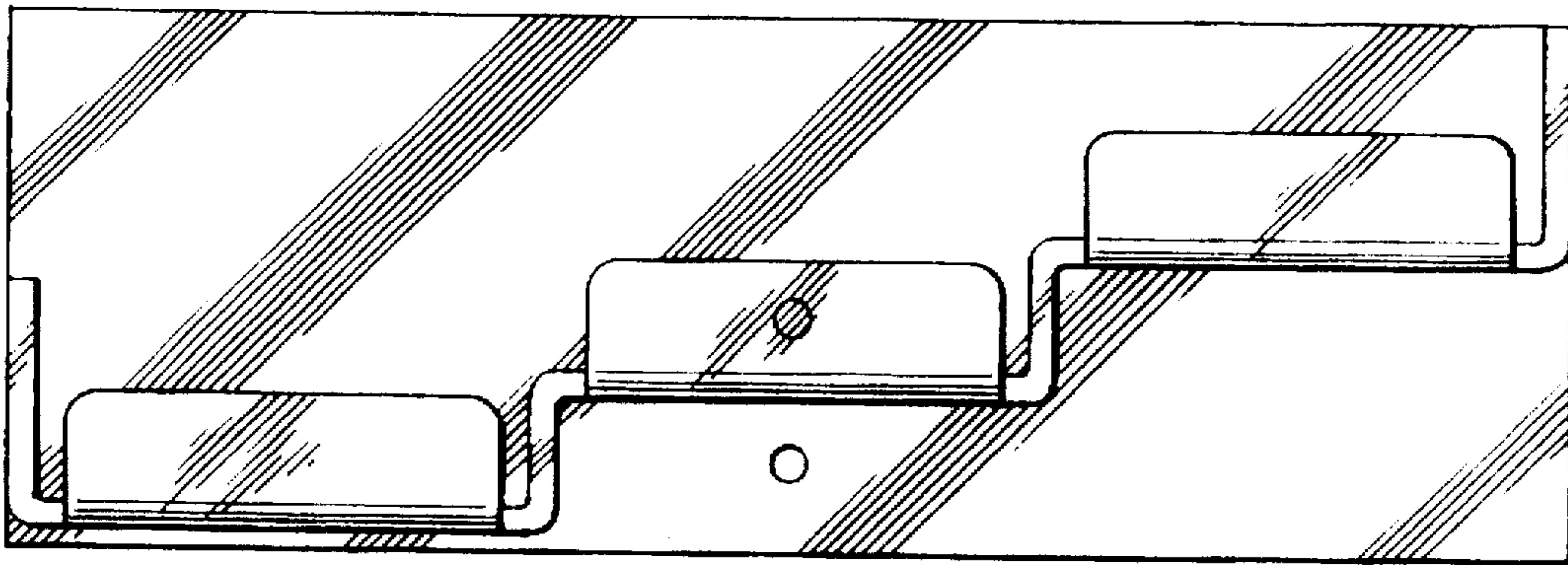


FIG. 2

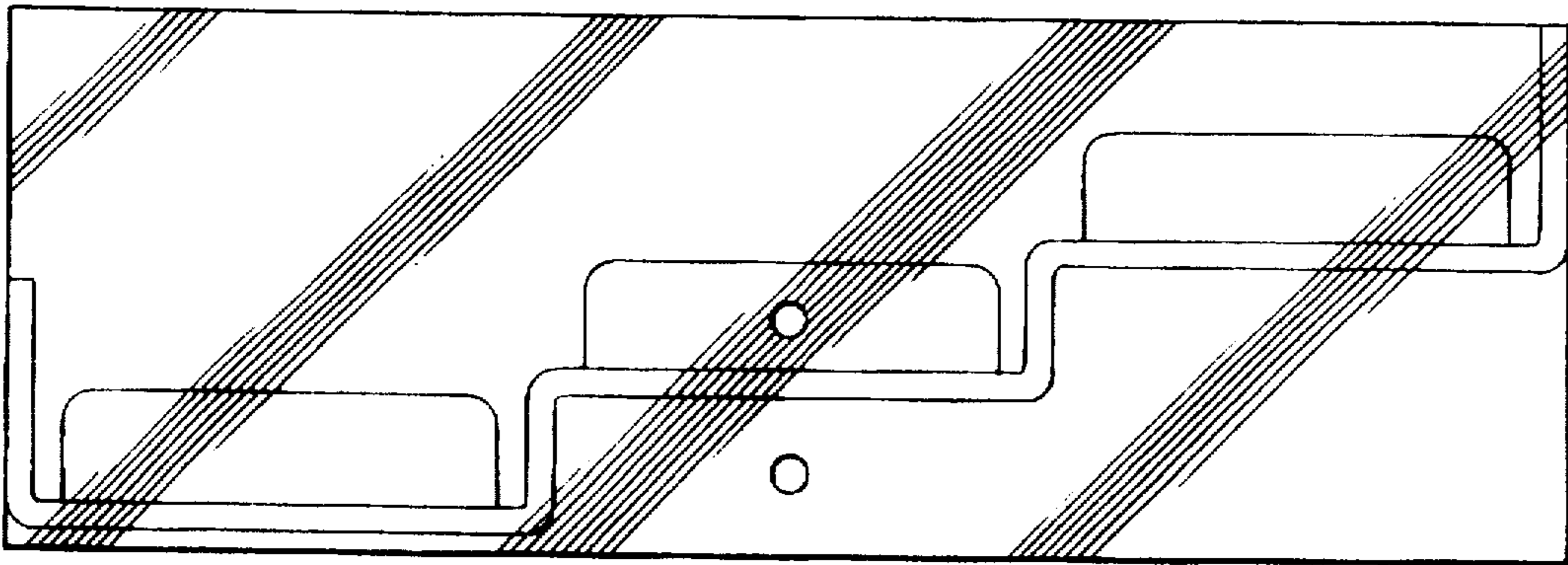


FIG. 3

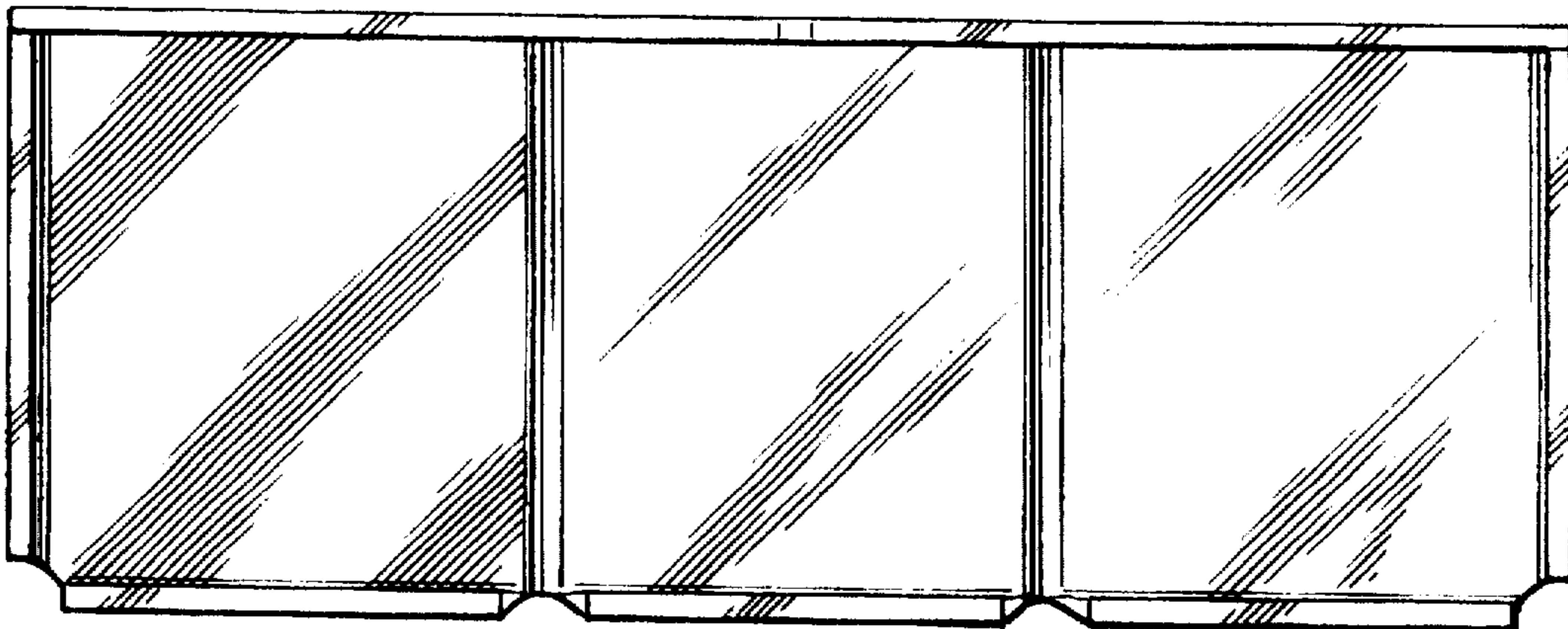


FIG. 4

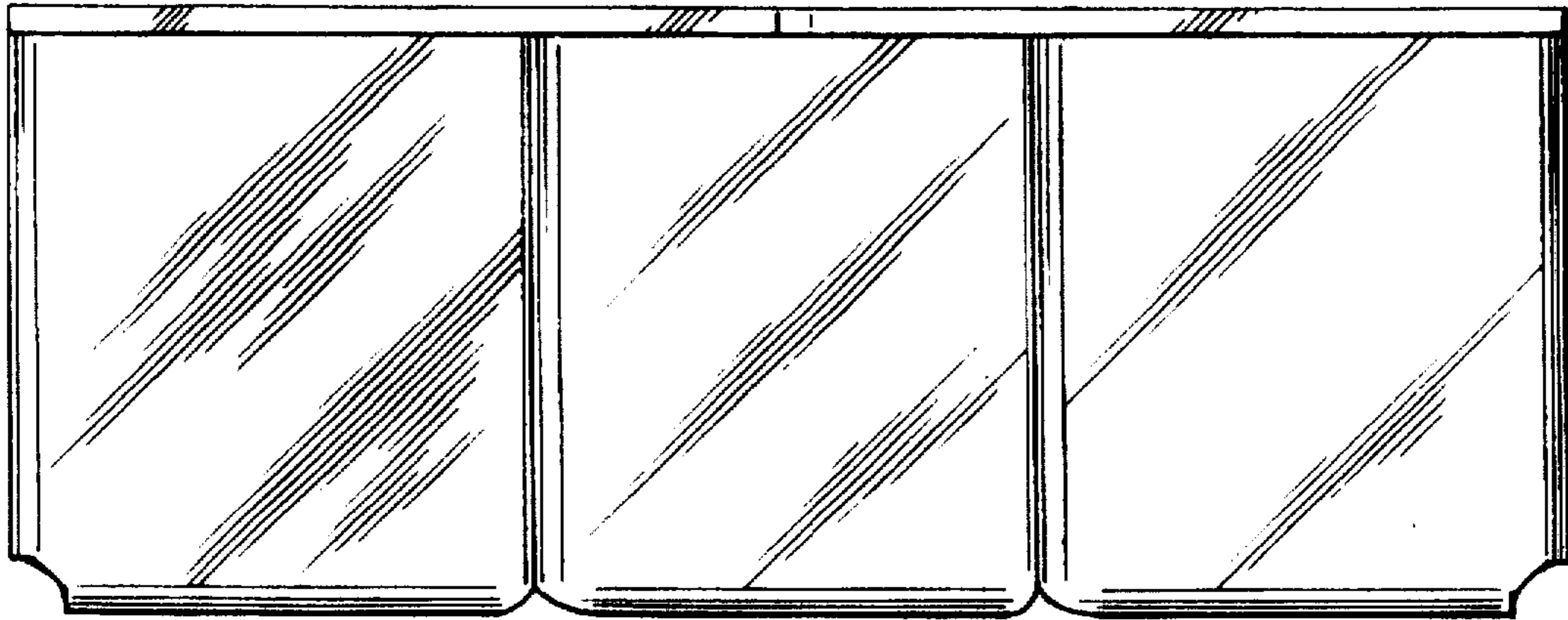


FIG. 5

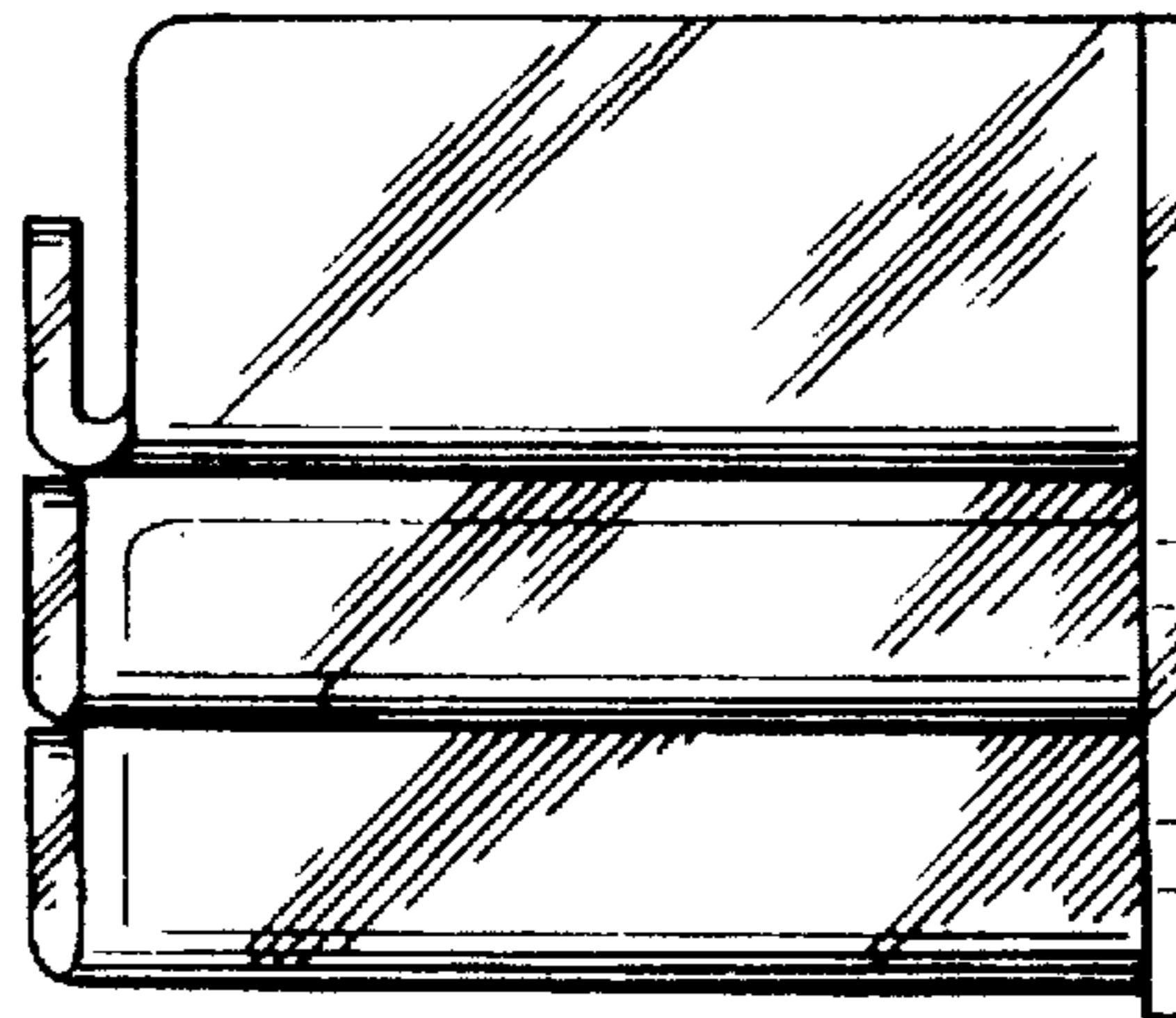


FIG. 6

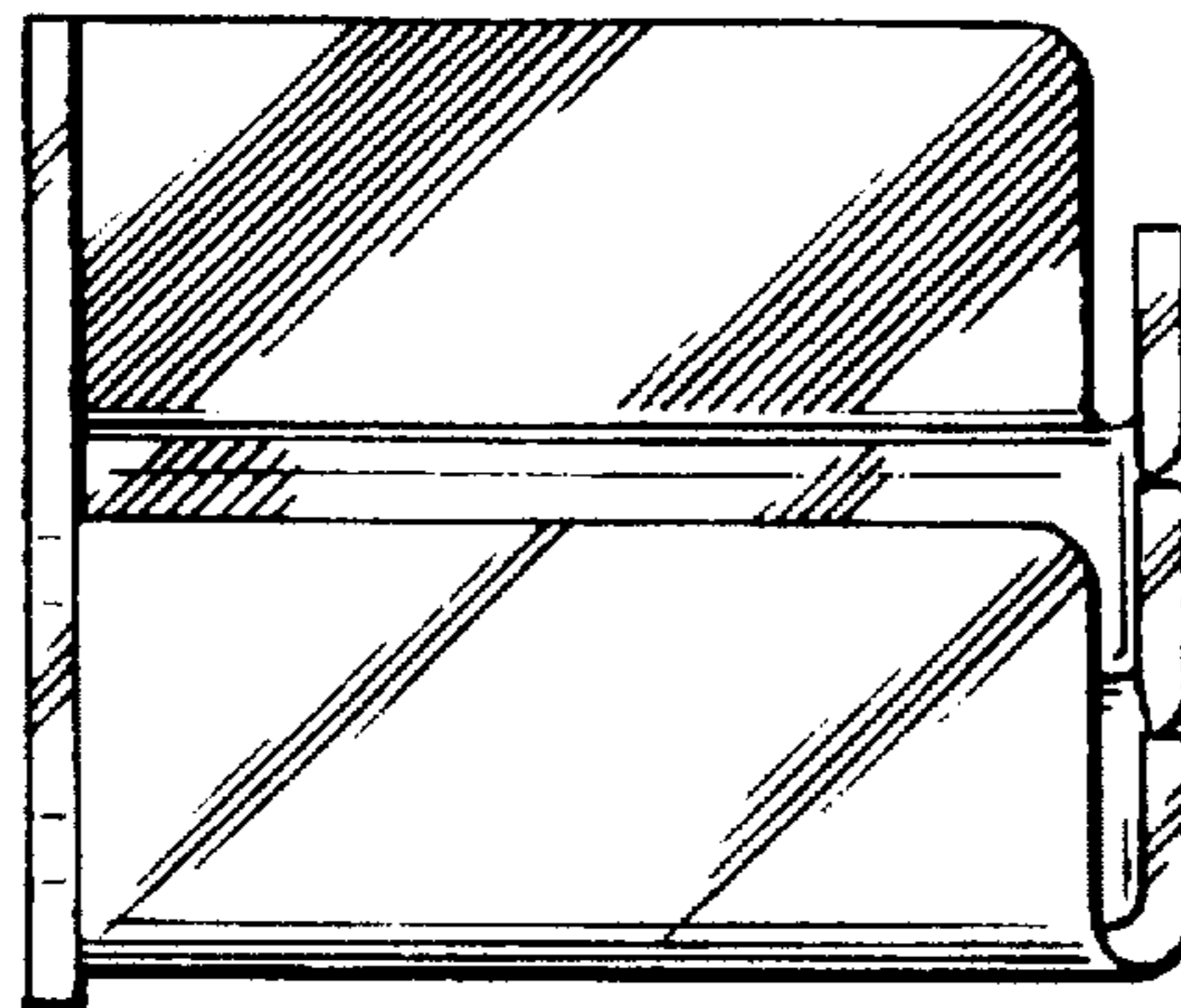


FIG. 7