



US00D394762S

United States Patent [19] Greiner

[11] Patent Number: Des. 394,762

[45] Date of Patent: **Jun. 2, 1998

[54] **JEWELRY HOLDER**

[76] Inventor: **Lori Greiner**, 1430 N. Astor St.,
Chicago, Ill. 60610

[**] Term: **14 Years**

[21] Appl. No.: **55,870**

[22] Filed: **Jun. 14, 1996**

[51] LOC (6) Cl. **06-04**

[52] U.S. Cl. **D6/436**

[58] Field of Search D6/396, 432-448,
D6/466-469; D3/903; 312/204; 211/13

[56] **References Cited**

U.S. PATENT DOCUMENTS

D. 194,466	1/1963	Johnson	D3/903 X
D. 197,252	12/1963	Spears	D3/903 X
D. 277,340	1/1985	Christen	D3/903 X
D. 303,999	10/1989	Hansson	D3/903 X
D. 315,460	3/1991	Sorce, Jr.	D6/469
540,206	5/1895	Brooks	.	
948,377	2/1910	Prouty	.	
2,760,647	8/1956	Saul, Jr.	.	
3,351,401	11/1967	Cohen	.	
3,847,458	11/1974	Nowak	.	
4,088,380	5/1978	Watts	.	
4,116,509	9/1978	Smith	.	
4,396,121	8/1983	Lemmon	.	
4,775,053	10/1988	Geiger	.	
4,819,814	4/1989	Fogelgren	.	
5,067,617	11/1991	Caldwell et al.	.	
5,117,971	6/1992	Fisher	.	

OTHER PUBLICATIONS

Advertisement from "Home Organization," pp. 33-36 (date unknown).

Advertisement, "Ear-It-Is!," two pages (date unknown).

Advertisement, "Jewelry Rack," from Paragon Catalog Exclusive, one page (date known).

Advertisement, "Celestial Organizer," one page (date known).

Advertisement, "Heirloom Cherry' Jewelry Armoire," one page (date known).

Advertisement showing 6 jewelry boxes, one page (date known).

Hand drawing of a Jewelry Box, one page (date known).

Copy of a photograph of 3 jewelry boxes.

Primary Examiner—James Gandy

Assistant Examiner—Linda Brooks

Attorney, Agent, or Firm—Brinks Hofer Gilson & Lione

[57] **CLAIM**

The ornamental design for a jewelry holder, as shown and described.

DESCRIPTION

FIG. 1 is a perspective view of a jewelry holder showing my new design, with the bottom drawer shown partially open for clarity of illustration;

FIG. 2 is a front elevational view thereof;

FIG. 3 is a rear elevational view thereof;

FIG. 4 is a right side elevational view thereof with the bottom drawer in closed position;

FIG. 5 is a left side elevational view of FIG. 4;

FIG. 6 is a top plan view of FIG. 4; and,

FIG. 7 is a bottom plan view of FIG. 4.

1 Claim, 4 Drawing Sheets

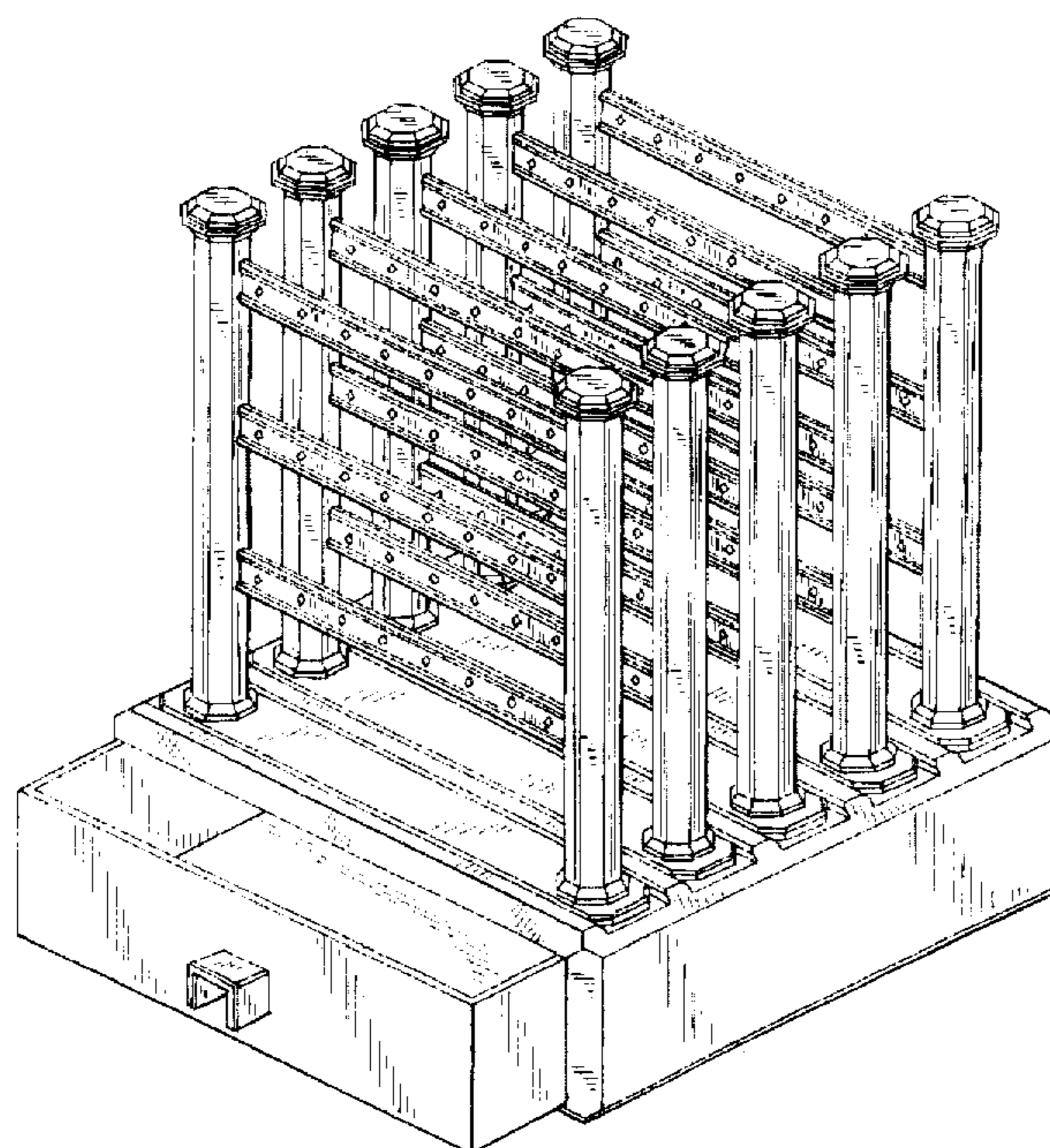


FIG. 1

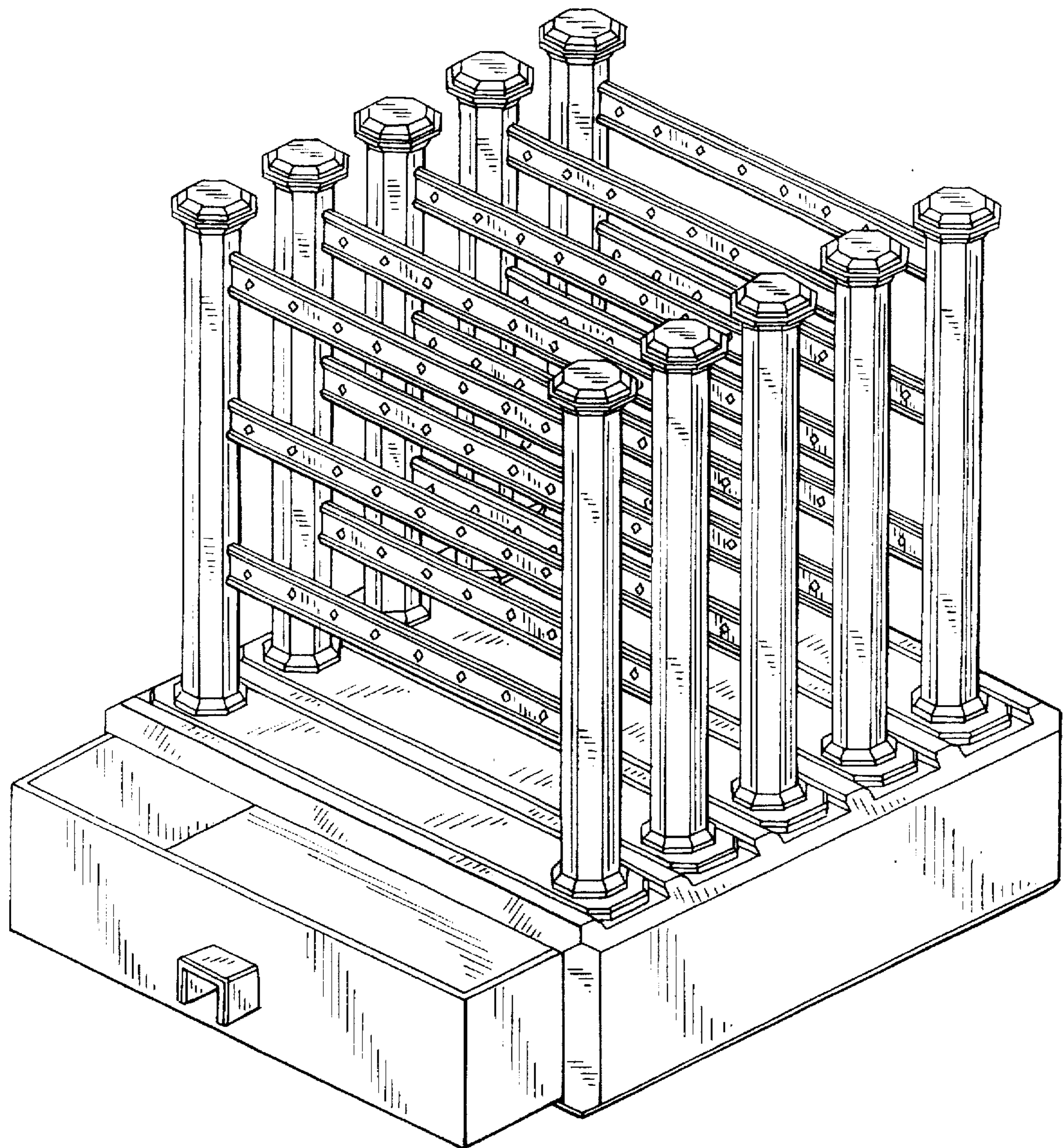


FIG. 3

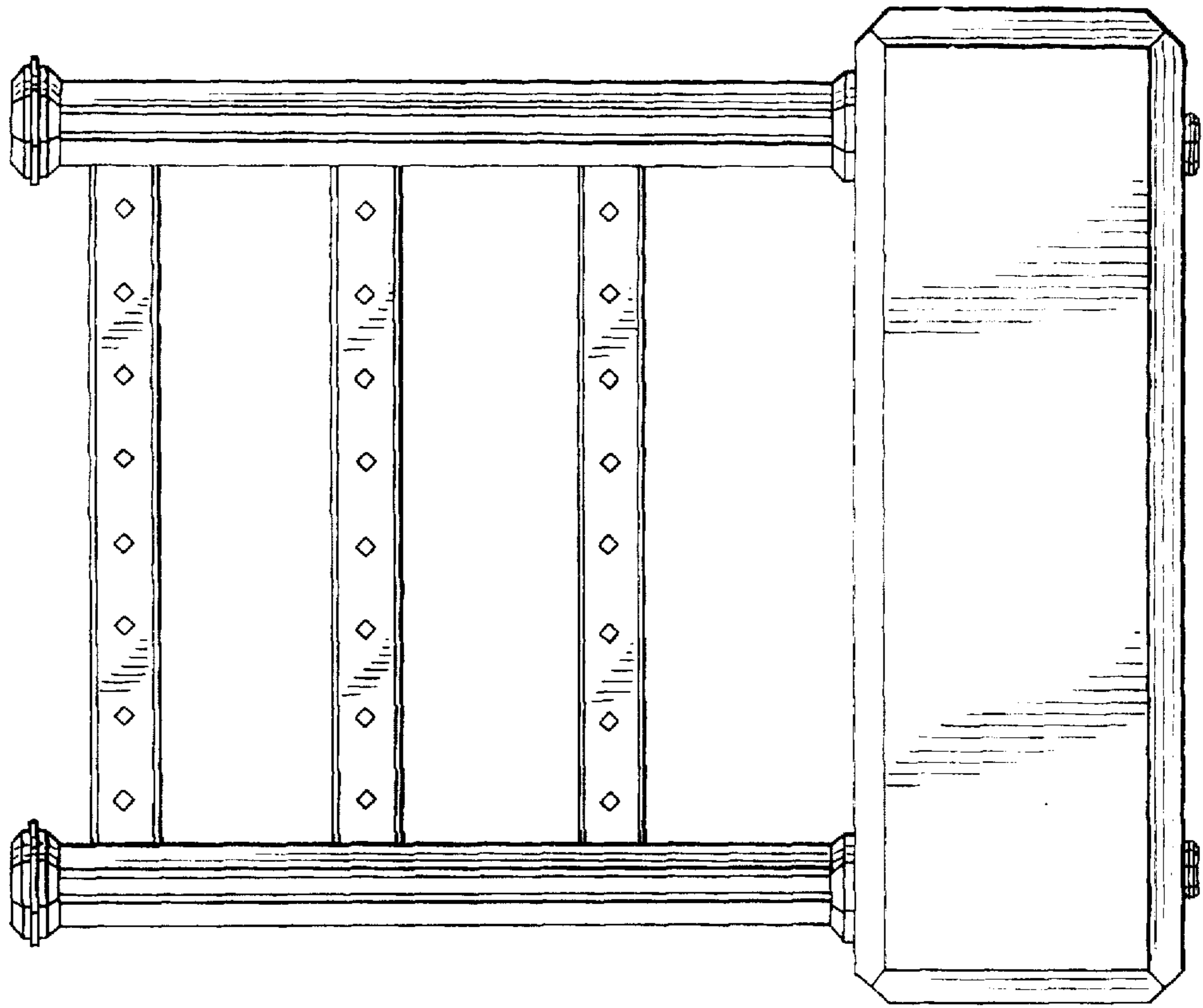


FIG. 2

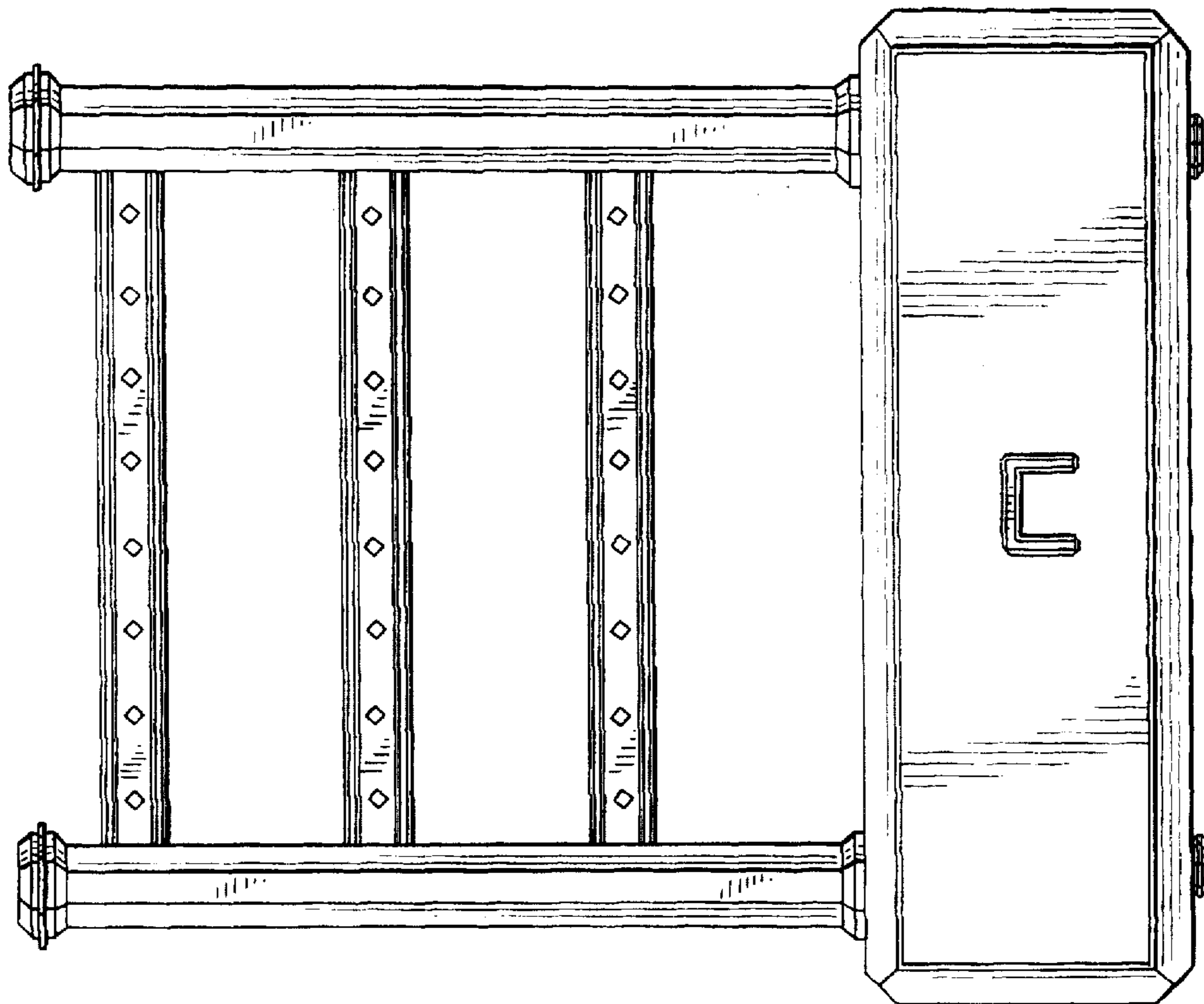


FIG. 5

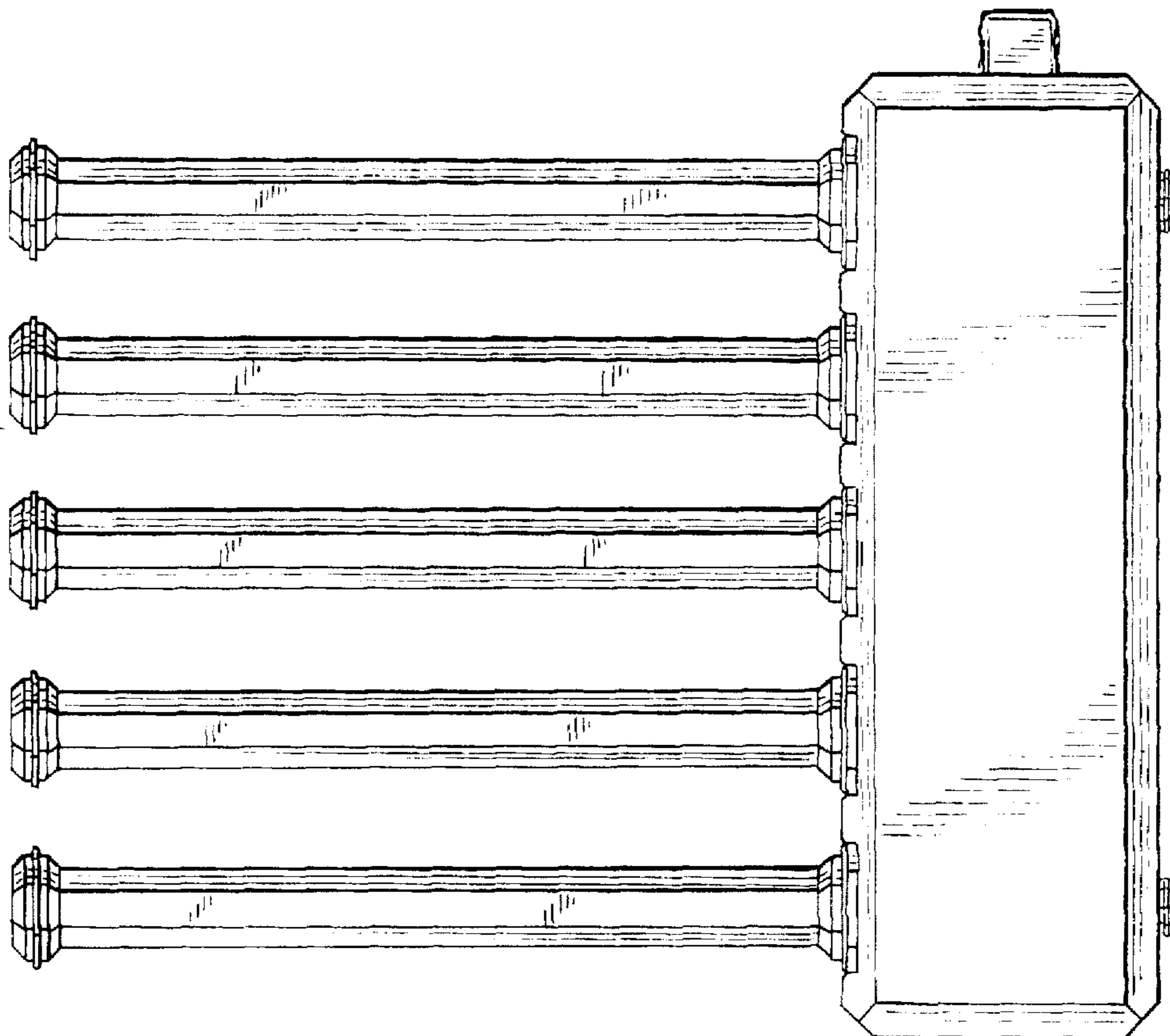


FIG. 4

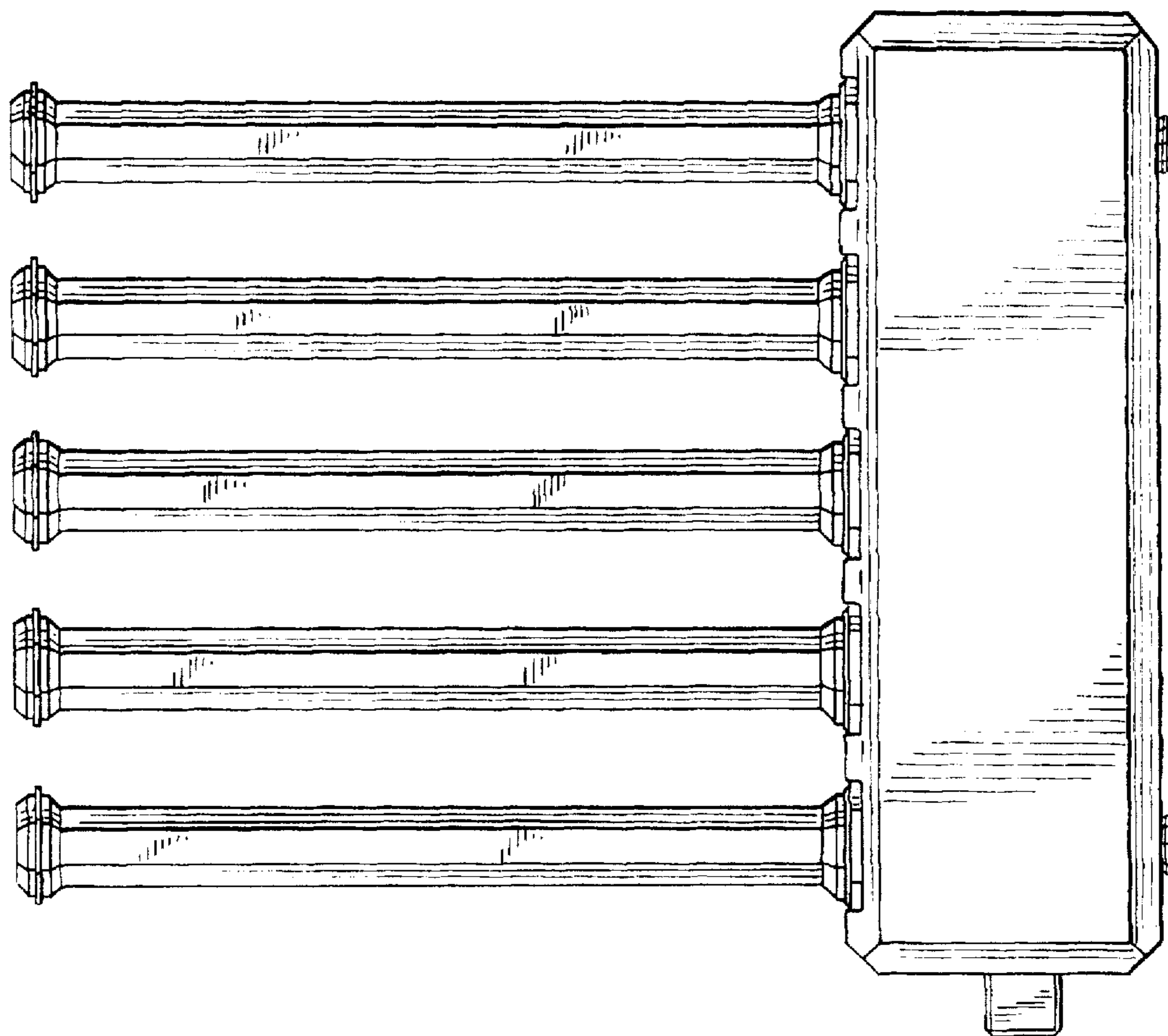


FIG. 7

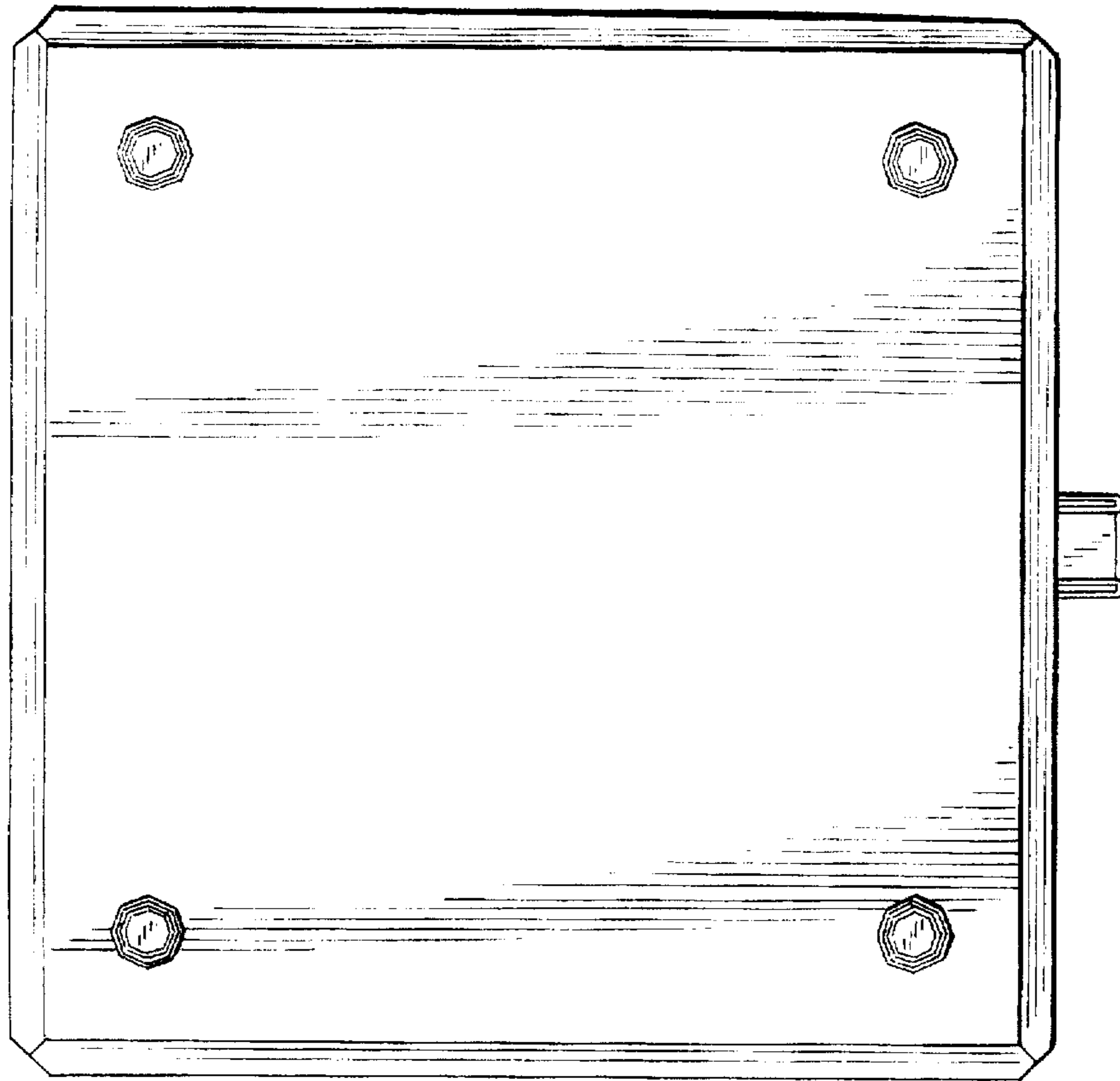
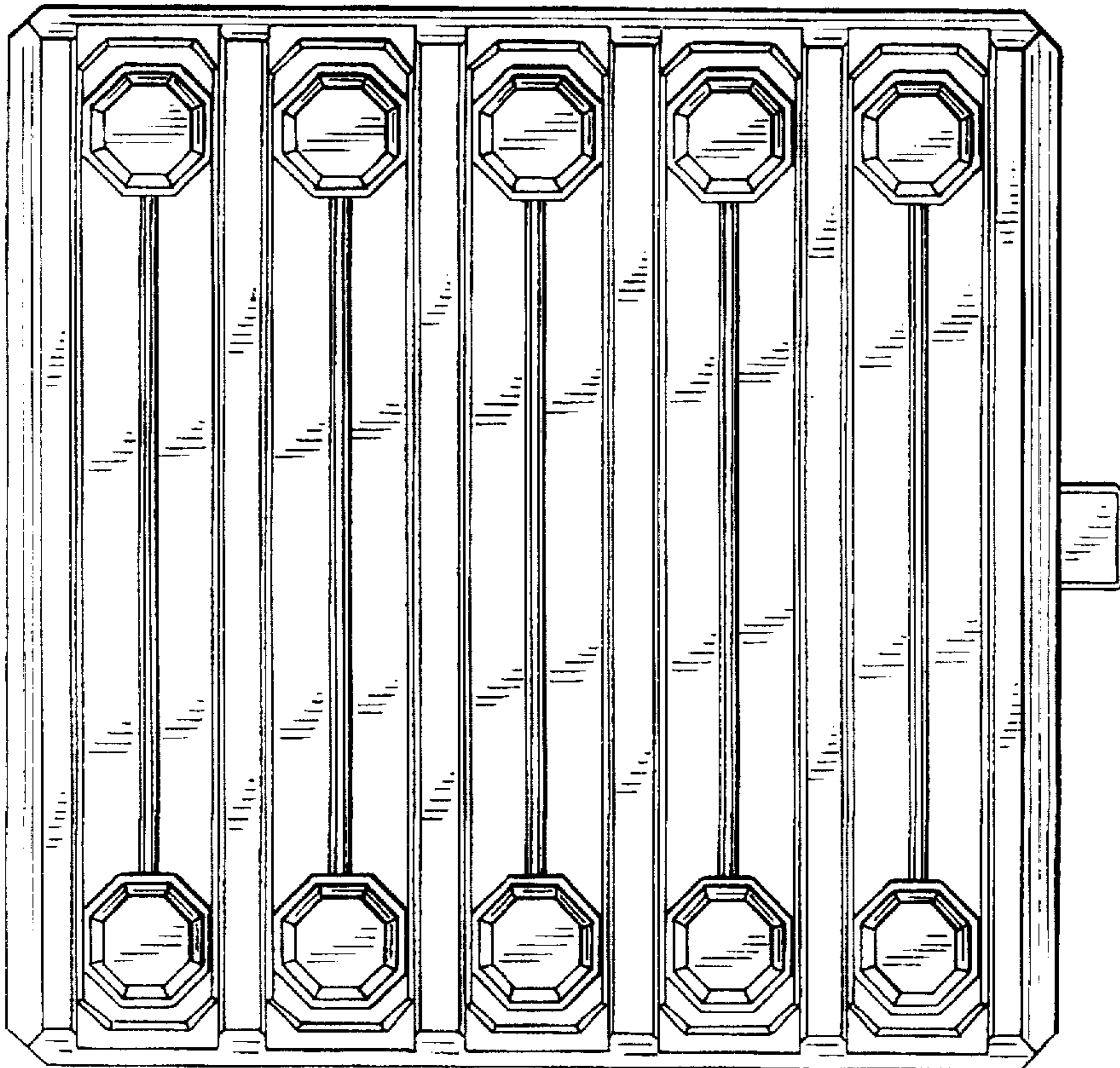


FIG. 6



UNITED STATES PATENT AND TRADEMARK OFFICE
CERTIFICATE OF CORRECTION

PATENT NO. : Des. 394,762
DATED : June 2, 1998
INVENTOR(S) : Lori Greiner

It is certified that error appears in the above-identified patent and that said Letters Patent is hereby corrected as shown below:

On the Title Page

In column 2, line 1, under "**CLAIM**" delete "," (comma) after "holder".

In column 2, line 9, under "**DESCRIPTION**", delete "," (comma) after "and".

Signed and Sealed this
Eighteenth Day of July, 2000

Attest:



Q. TODD DICKINSON

Attesting Officer

Director of Patents and Trademarks