



US00D394761S

United States Patent [19]

Bird et al.

[11] Patent Number: **Des. 394,761**

[45] Date of Patent: ****Jun. 2, 1998**

[54] **WORKBENCH**

[75] Inventors: **David A. Bird, Akron; Vincent L. Haley, Orrville, both of Ohio**

[73] Assignee: **Rubbermaid Incorporated, Wooster, Ohio**

[**] Term: **14 Years**

[21] Appl. No.: **57,449**

[22] Filed: **Jul. 25, 1996**

[51] LOC (6) Cl. **06-04**

[52] U.S. Cl. **D6/428**

[58] Field of Search **D6/422-428, 400; 144/286, 287; 269/139; D25/62**

[56] **References Cited**

U.S. PATENT DOCUMENTS

D. 154,941	8/1949	Maynard et al.	D6/422 X
D. 251,167	2/1979	Isles	D6/177
D. 296,053	6/1988	Barber	D6/484 X
D. 339,481	9/1993	Stephens	D6/428
D. 361,216	8/1995	Lewellen et al.	D6/400
D. 367,537	2/1996	Calmeise et al.	D25/62
2,541,508	2/1951	Fleming	144/286
3,615,087	10/1971	Hickman	269/244
4,034,684	7/1977	Carson et al.	108/127
4,154,435	5/1979	Alessio	269/139
4,231,557	11/1980	Blachly et al.	269/139

4,239,195	12/1980	Oltman et al.	269/16
4,265,435	5/1981	Stiltz et al.	269/139
4,364,548	12/1982	Eccardt	269/139
4,757,849	7/1988	Morris	144/287
4,909,491	3/1990	Cheng	269/16

OTHER PUBLICATIONS

Catalog page, Workbenches; Waterloo Industries, Inc., 300 Ansborough Avenue, Waterloo, Iowa 50704. Publication date 1990.

Catalog page, Workbenches; Harbor Freight, address unknown. Publication date 1992.

Primary Examiner—James Gandy

Assistant Examiner—Linda Brooks

Attorney, Agent, or Firm—Richard B. O'Planick; Lisa B. Riedesel

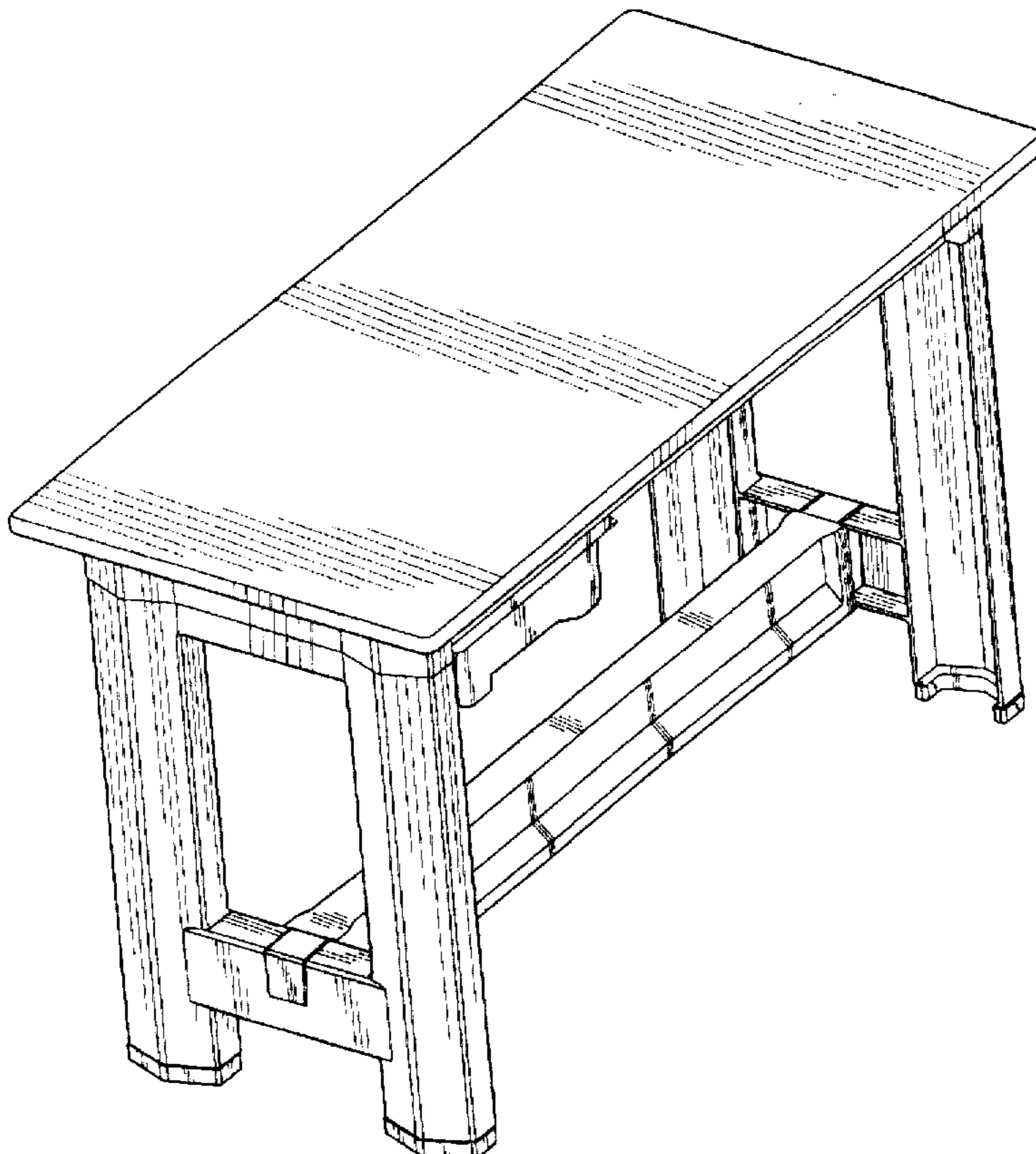
[57] **CLAIM**

The ornamental design for a workbench, as shown and described.

DESCRIPTION

FIG. 1 is a top left front perspective of a workbench showing our new design; FIG. 2 is a right side elevational view, the left side being identical thereto; FIG. 3 is a top plan view thereof; and, FIG. 4 is a rear elevational view thereof.

1 Claim, 4 Drawing Sheets



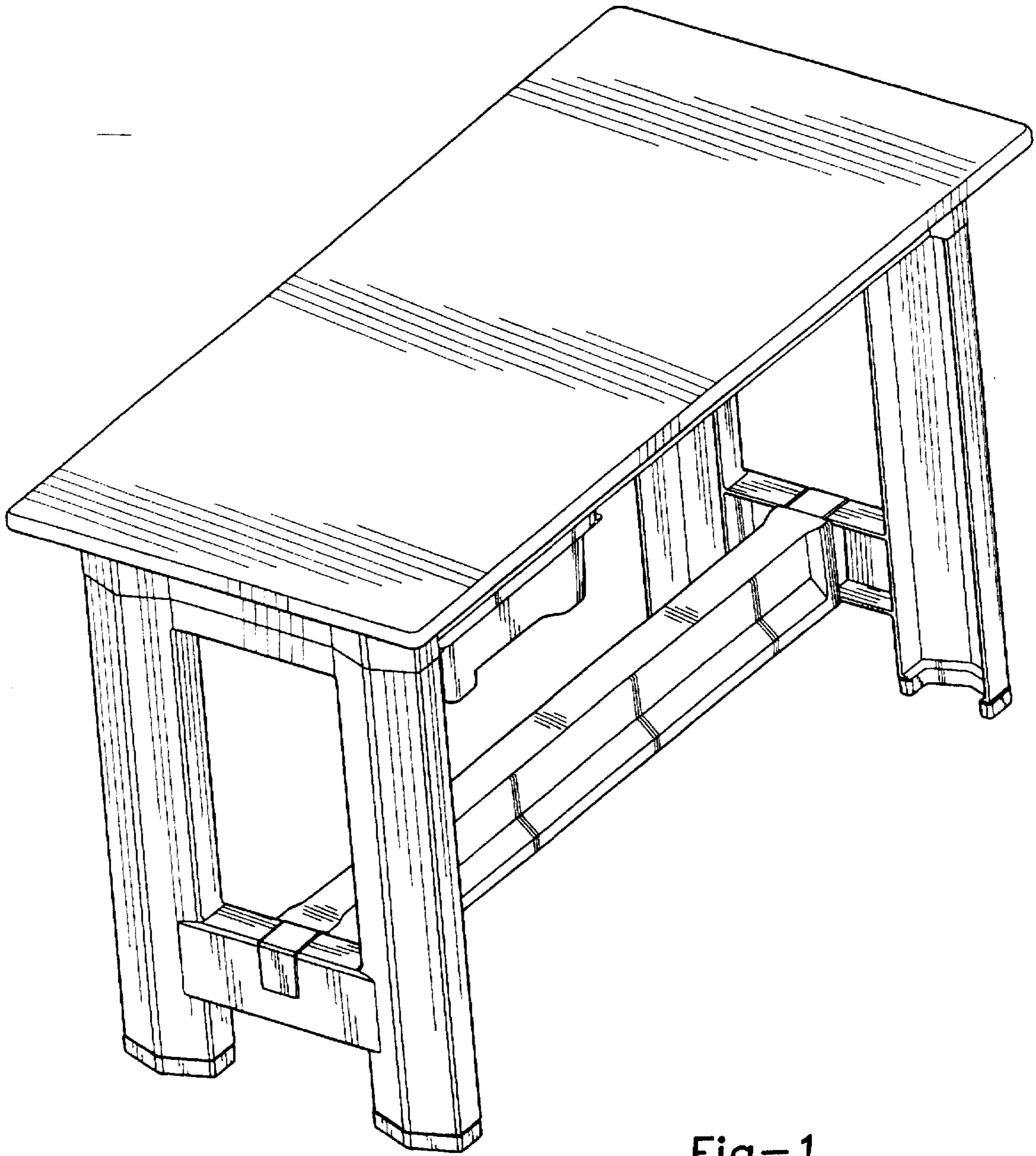


Fig-1

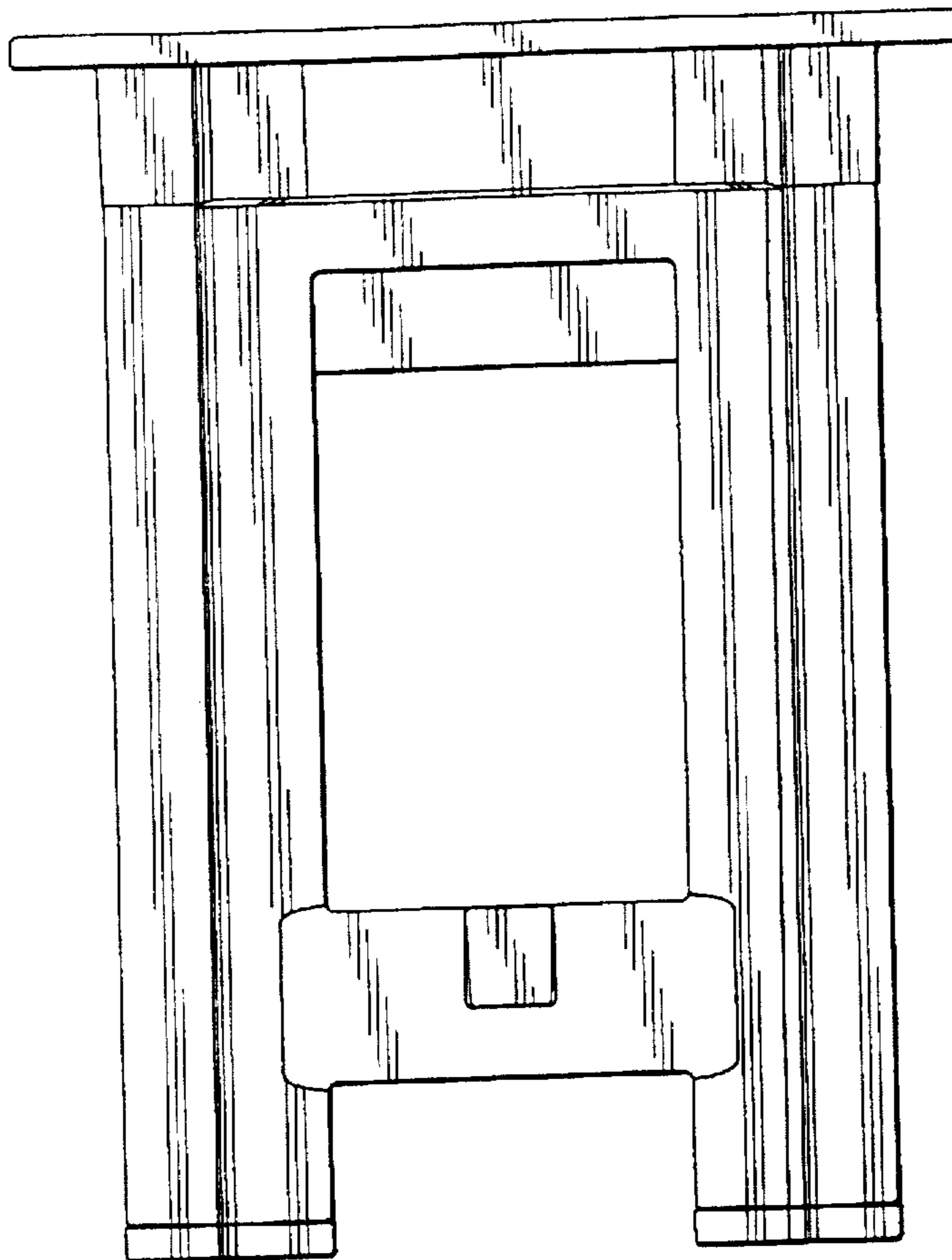


Fig-2

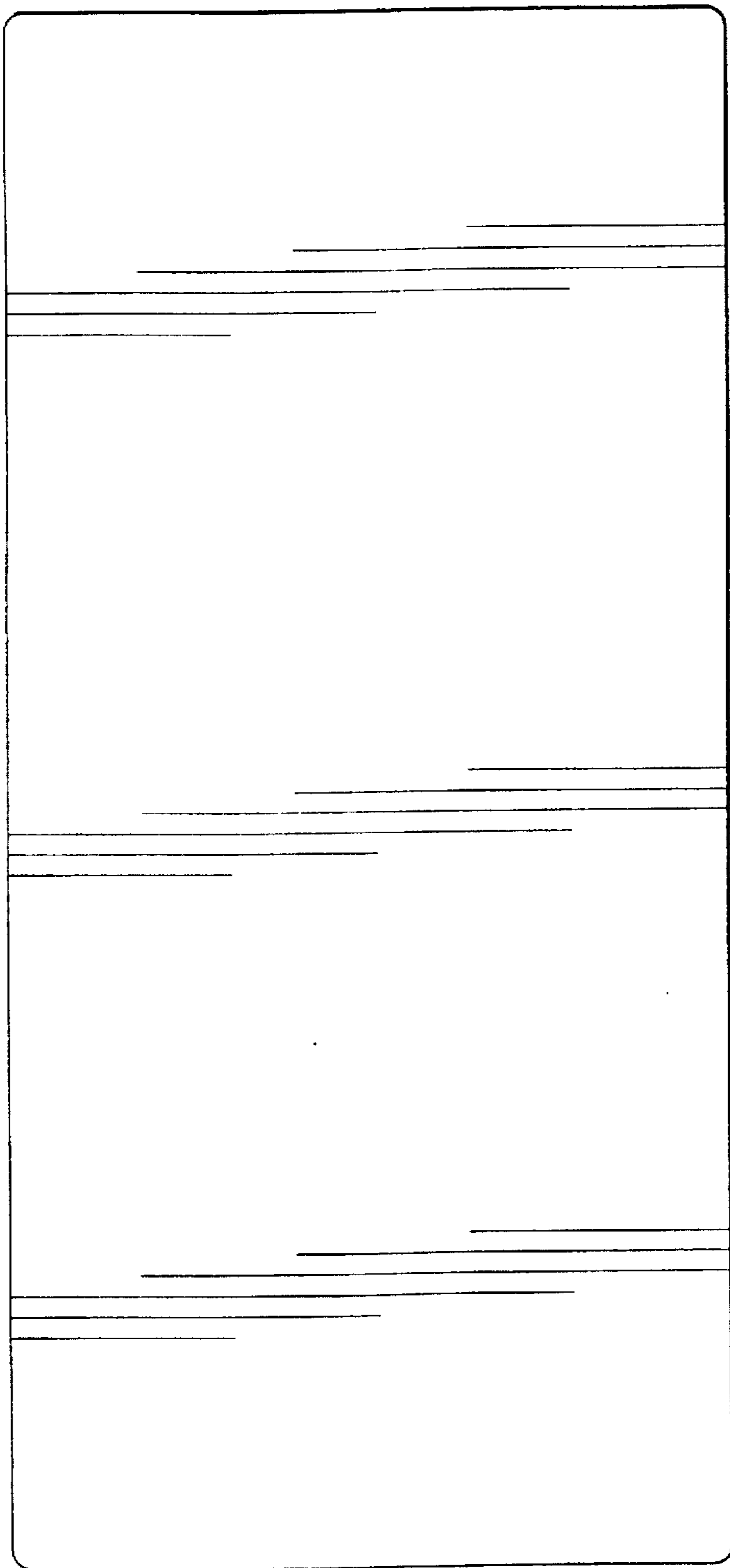


Fig-3

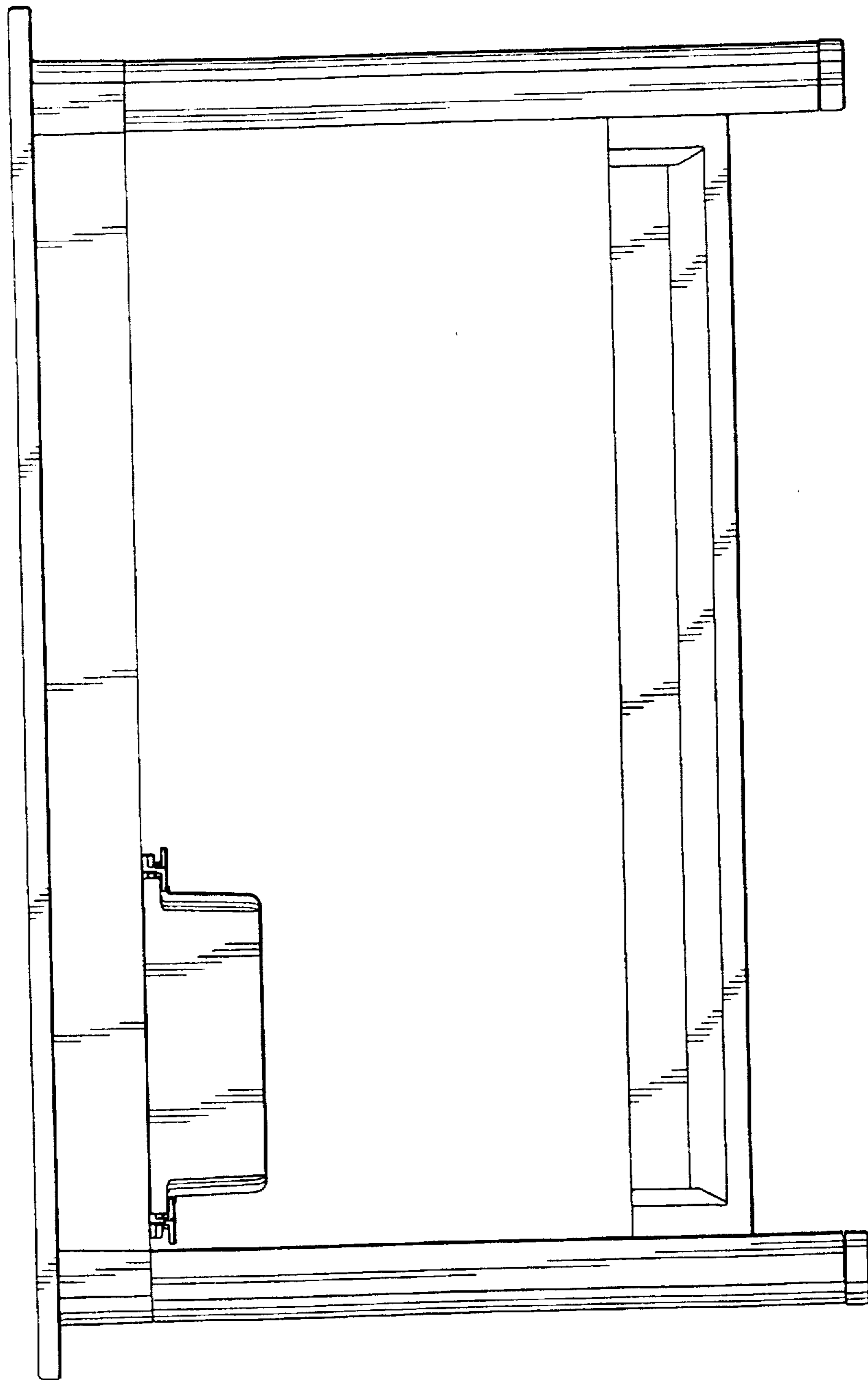


Fig-4