



US00D394752S

United States Patent [19]

Tsui

[11] Patent Number: **Des. 394,752**

[45] Date of Patent: ****Jun. 2, 1998**

[54] **PHOTO FRAME**

2,655,330 10/1953 Martinez 40/757 X
5,502,907 4/1996 Wang 40/711

[75] Inventor: **Chi Fai Tsui, Chai Wan, Hong Kong**

OTHER PUBLICATIONS

[73] Assignee: **Magnum Industries Limited,**
Kowloon, Hong Kong

Exposures, Winter 1988, p. 22, Frame at top left.

[**] Term: **14 Years**

Primary Examiner—Janice E. Seeger
Attorney, Agent, or Firm—Leydig, Voit & Mayer, Ltd.

[21] Appl. No.: **62,910**

[57] CLAIM

[22] Filed: **Dec. 3, 1996**

The ornamental design for a photo frame, as shown and described.

[30] Foreign Application Priority Data

DESCRIPTION

Jun. 3, 1996 [GB] United Kingdom 2056742

[51] LOC (6) Cl. **06-07**

[52] U.S. Cl. **D6/310; D6/300**

[58] Field of Search D6/300-303, 308-314;
D20/10, 40; 40/700, 711, 720, 721-724,
735, 748, 765, 780, 790, 798

FIG. 1 is a front elevational view of a photo frame showing my new design;

FIG. 2 is a rear elevational view thereof;

FIG. 3 is a left side elevational view thereof;

FIG. 4 is a right side elevational view thereof;

FIG. 5 is a top plan elevational view thereof; and,

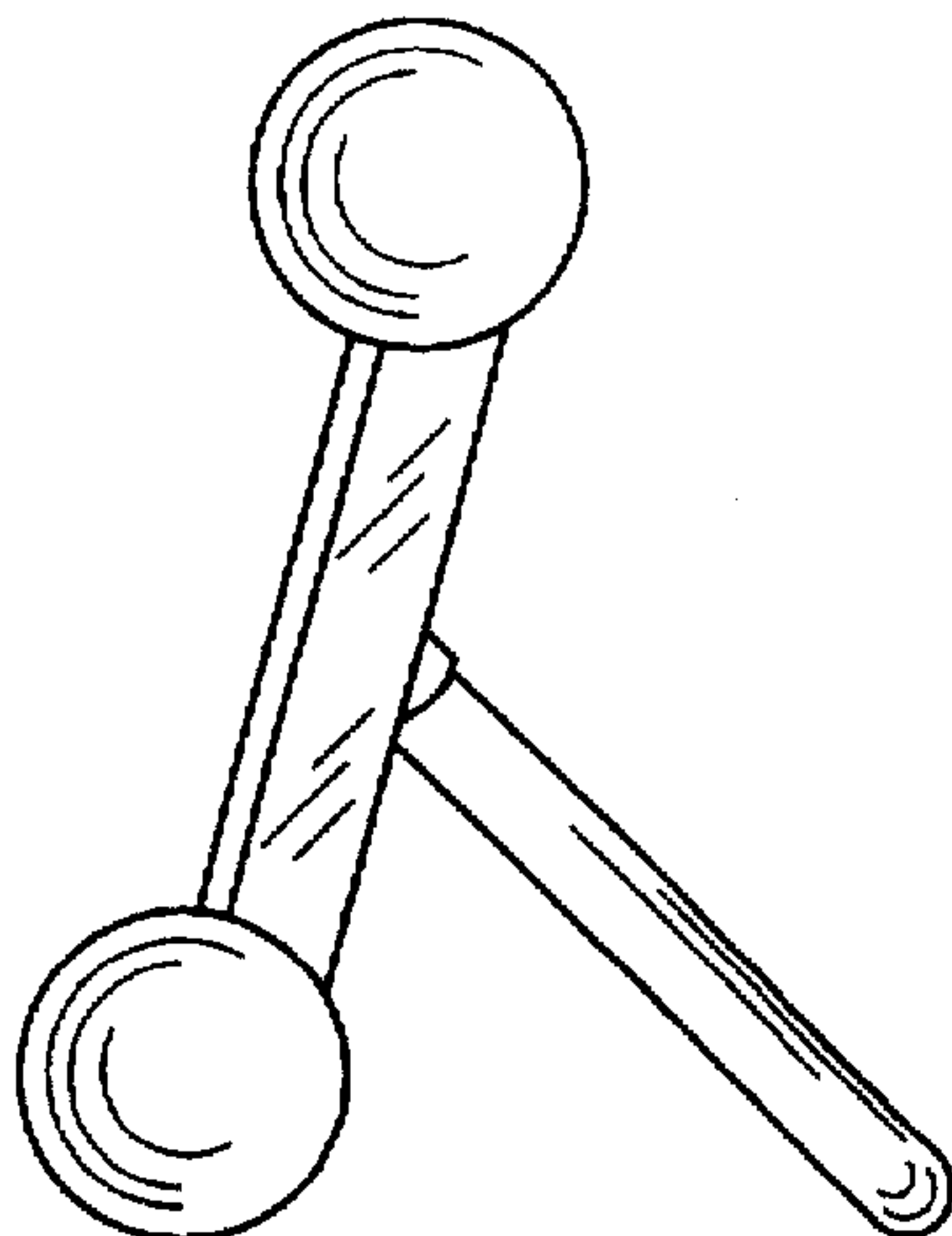
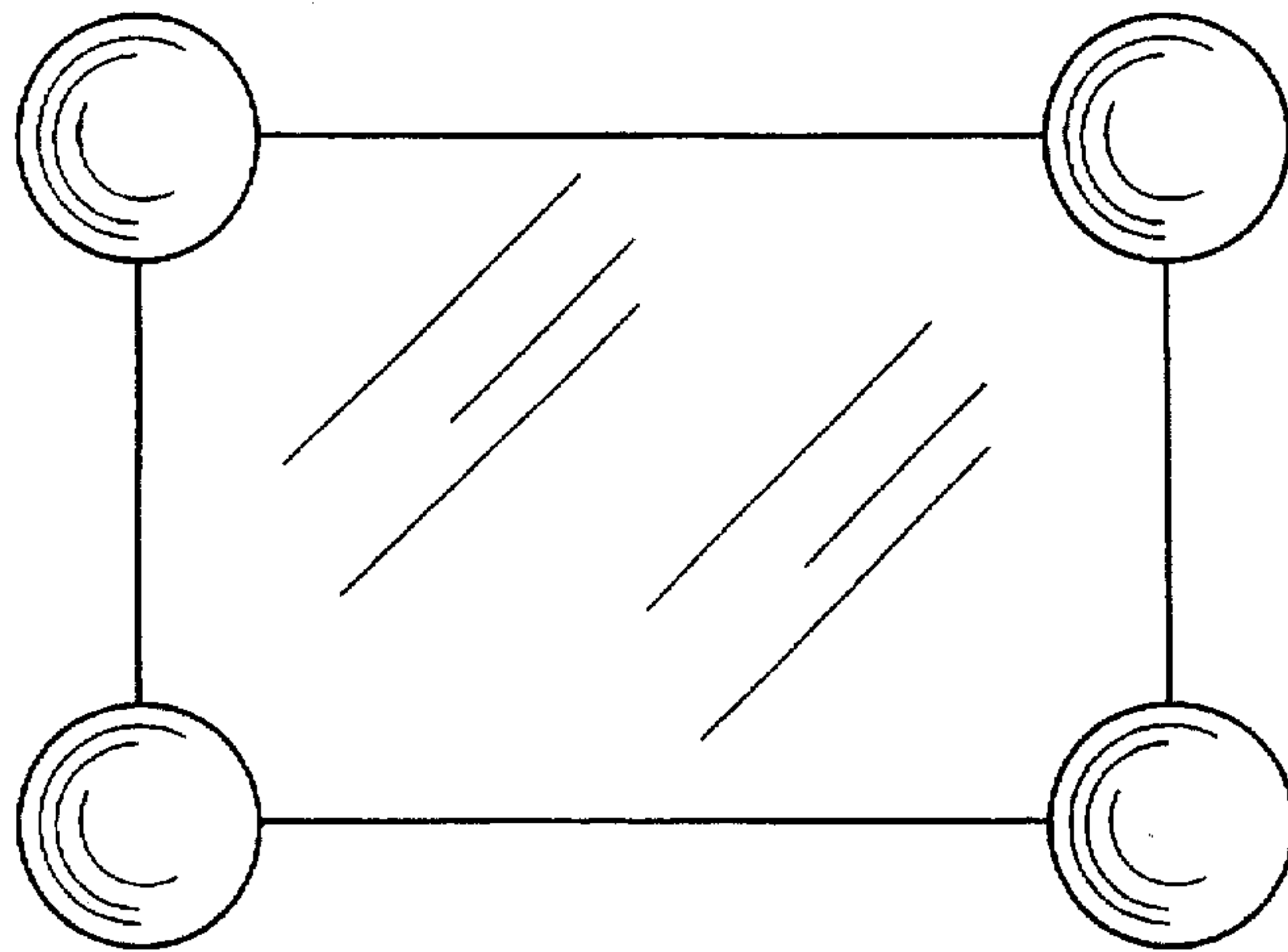
FIG. 6 is a bottom plan elevational view thereof.

[56] References Cited

U.S. PATENT DOCUMENTS

D. 28,616 5/1898 Stauber D6/313

1 Claim, 3 Drawing Sheets



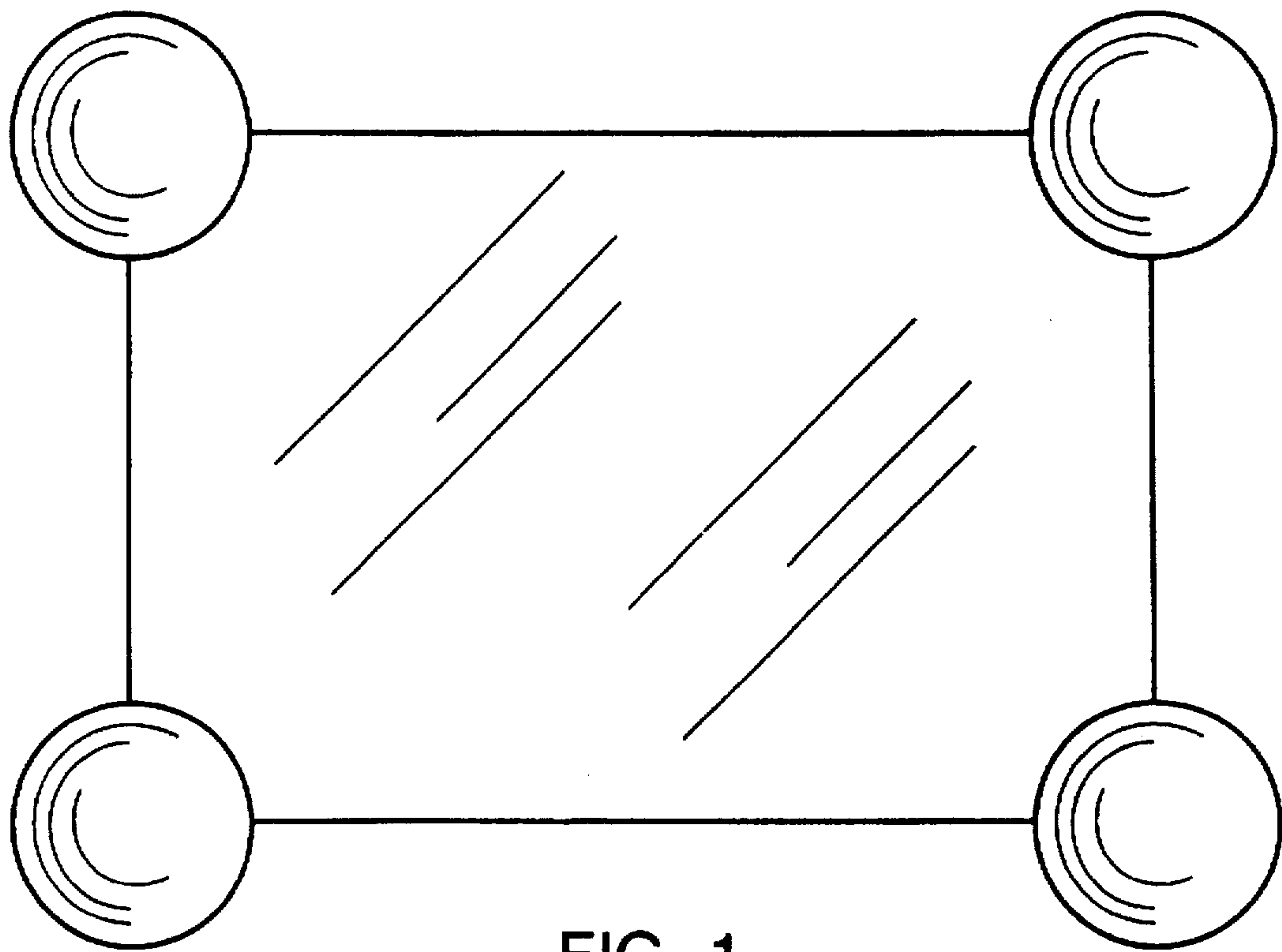


FIG. 1

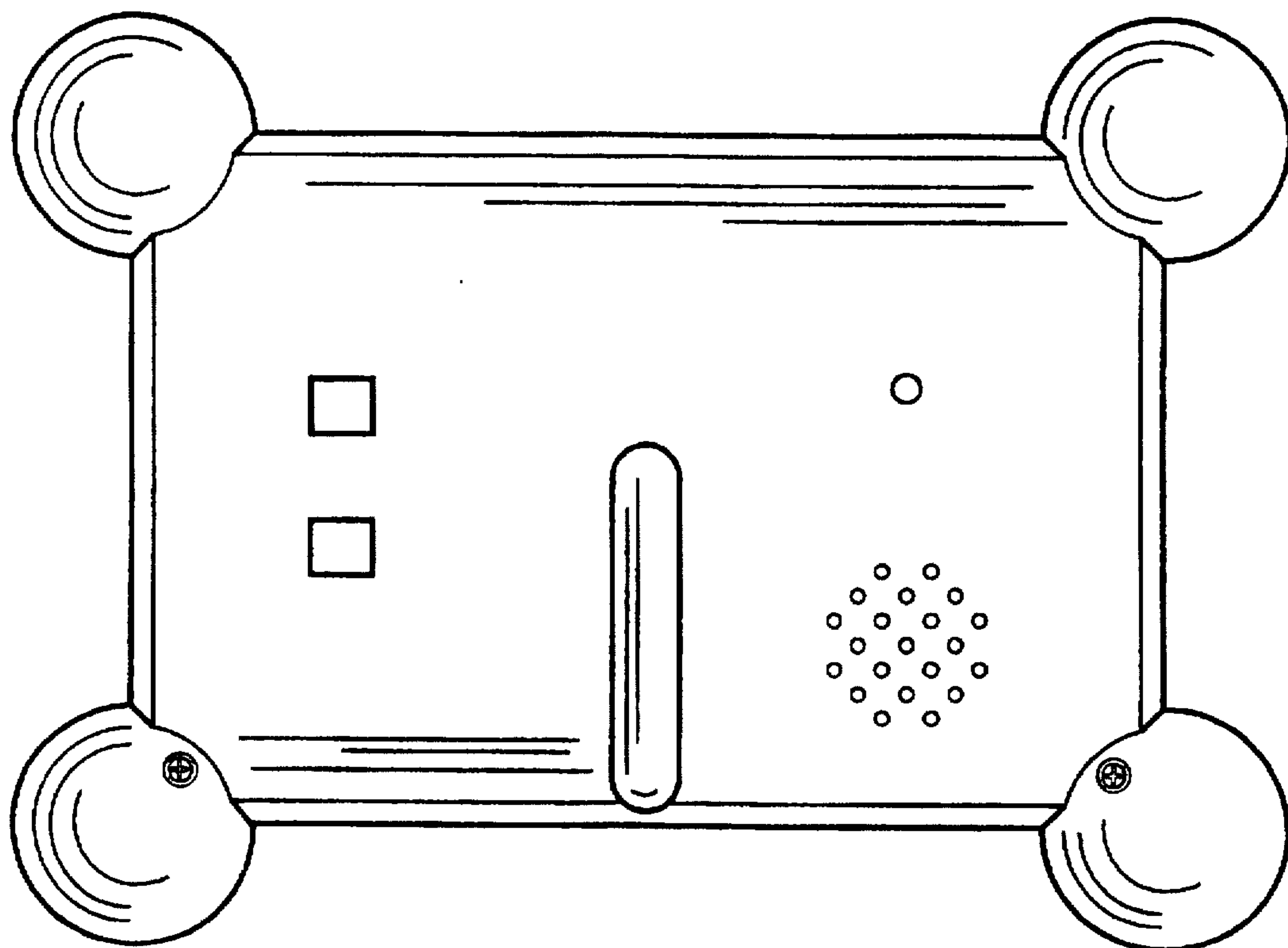


FIG. 2

FIG. 3

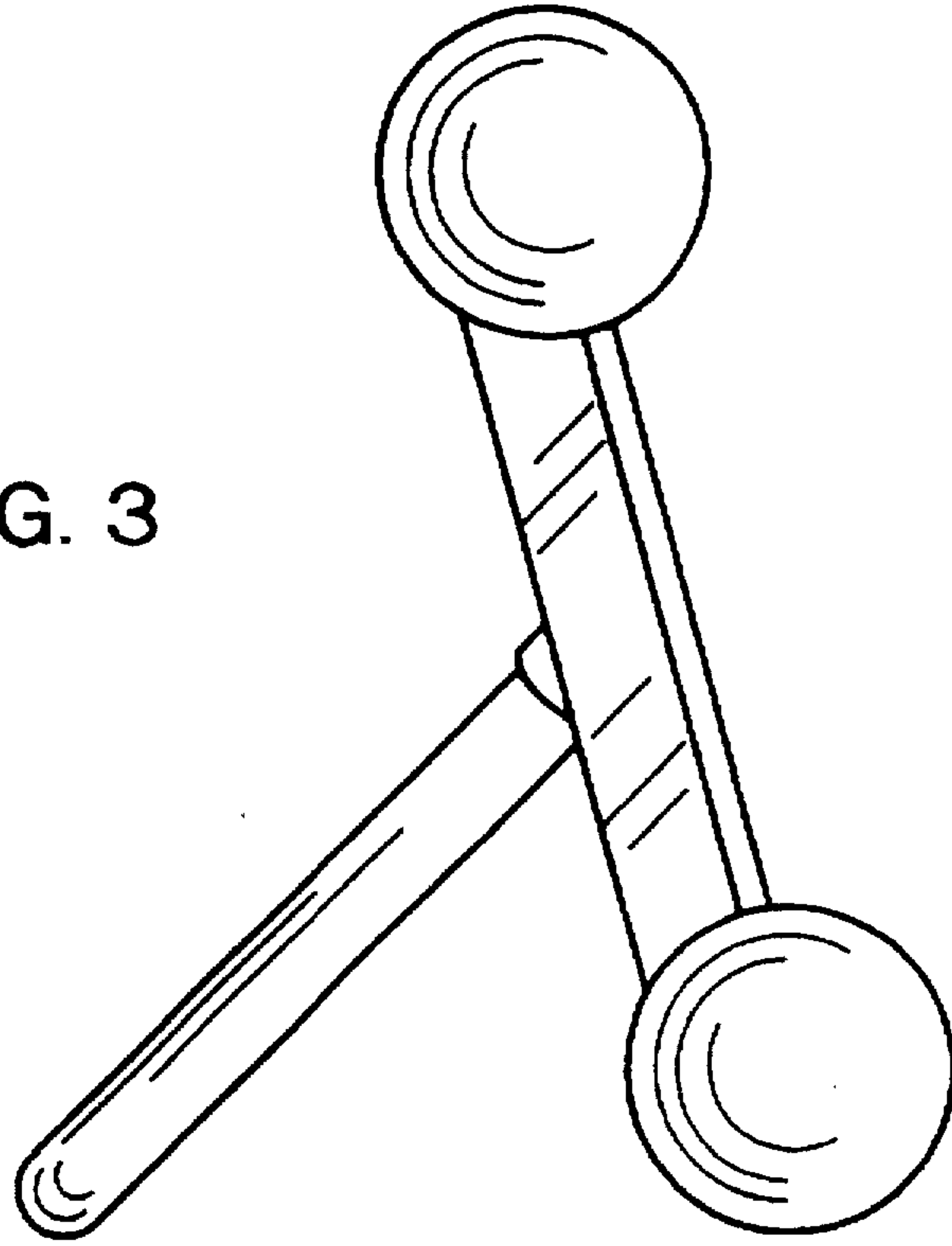
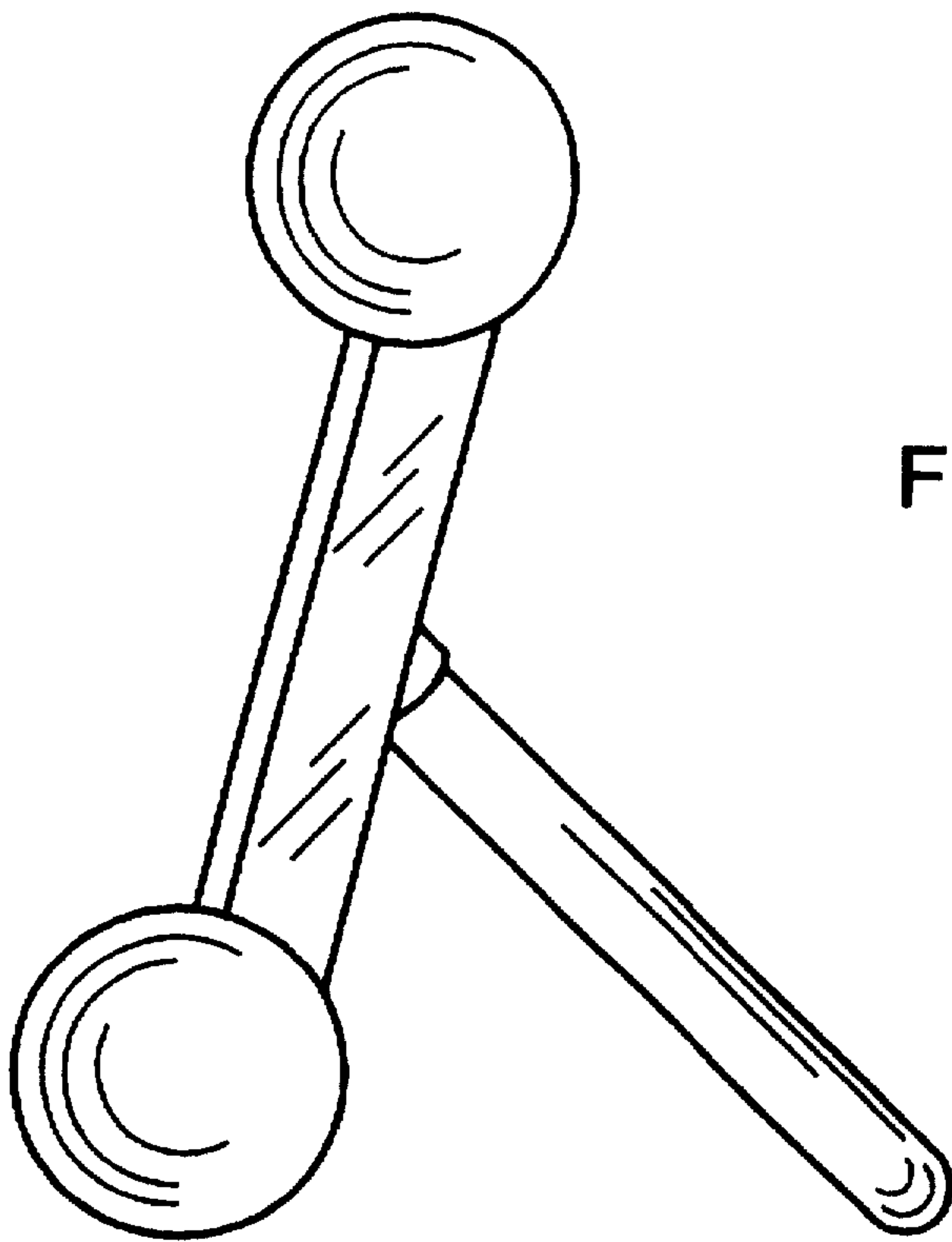


FIG. 4



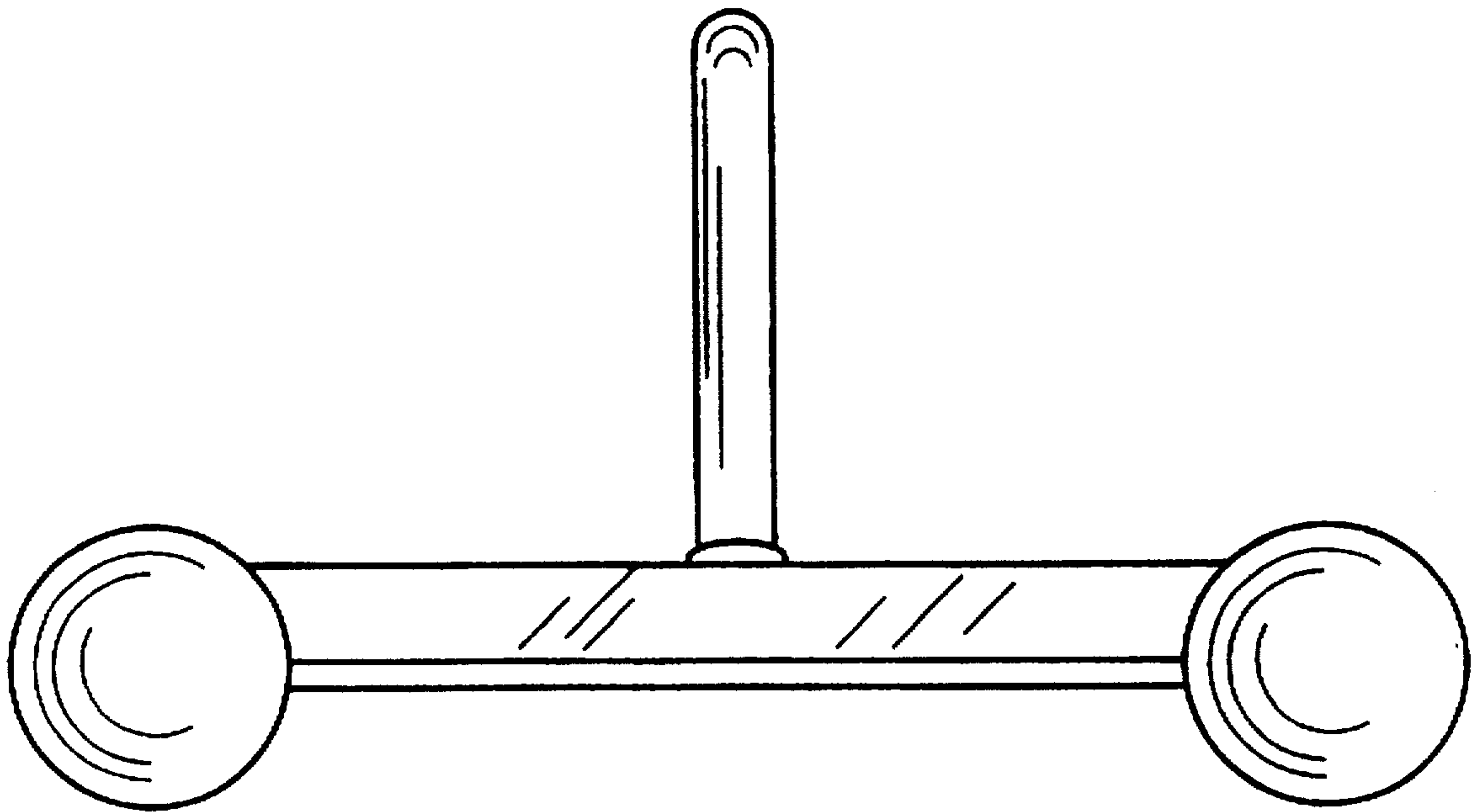


FIG. 5

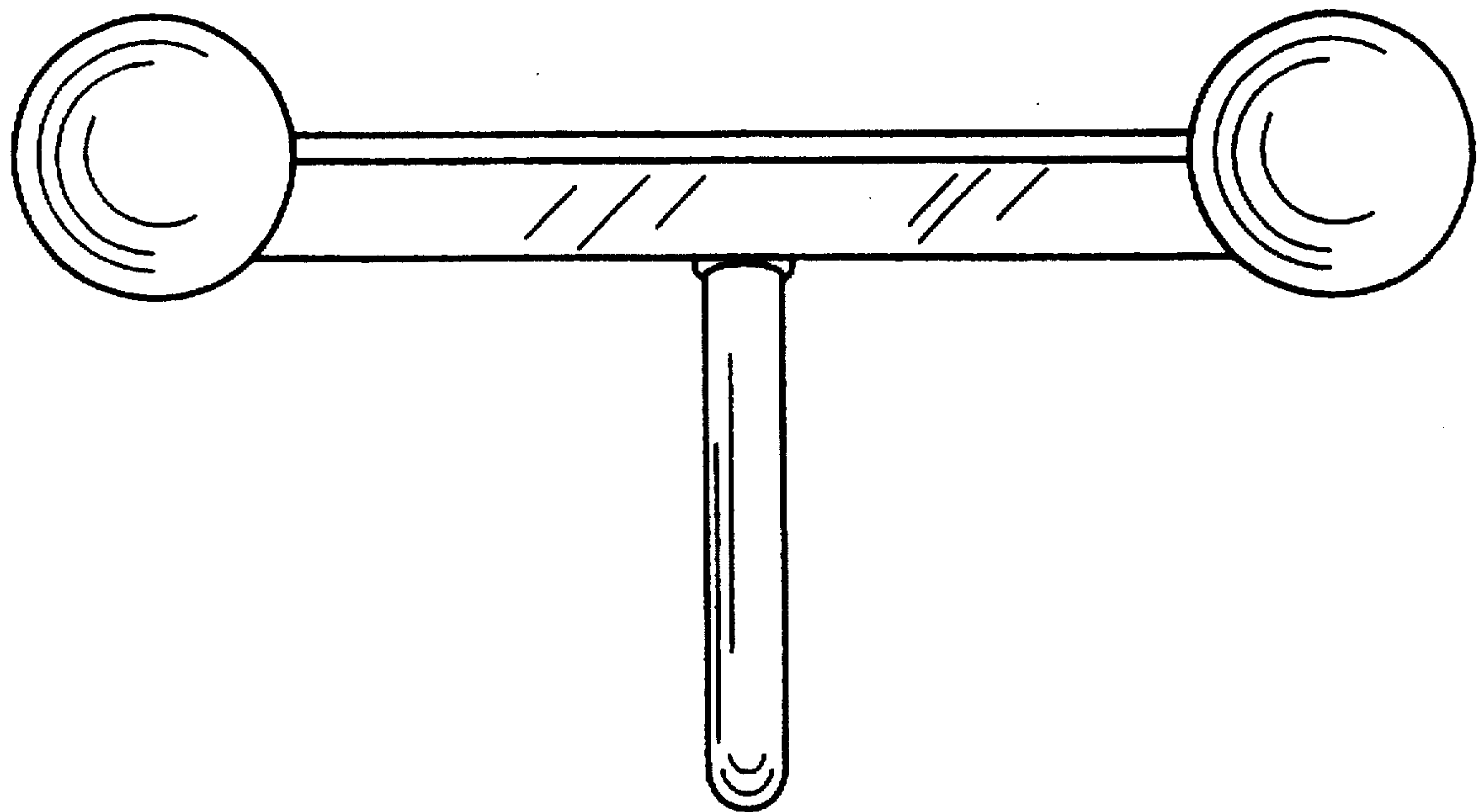


FIG. 6