



US00D394748S

United States Patent [19]

Petto

[11] Patent Number: **Des. 394,748**

[45] Date of Patent: ****Jun. 2, 1998**

[54] **PURSE**

[76] Inventor: **Ng Pak To Petto**, 3/F Flat, Belle House, 31 Whitefield Road, North Point, Hong Kong

[**] Term: **14 Years**

[21] Appl. No.: **54,763**

[22] Filed: **May 21, 1996**

[51] **LOC (6) Cl.** **03-01**

[52] **U.S. Cl.** **D3/238; D3/234; D3/232**

[58] **Field of Search** **D3/201, 231, 232, D3/234-238, 239, 240, 243, 244, 245, 246; D9/307, 336; D10/109; D26/31; 150/103, 105, 112, 117; 116/63 T, 63 C, 63 P; 206/257**

[56] **References Cited**

U.S. PATENT DOCUMENTS

- D. 151,438 10/1948 Ewing D3/234
- D. 160,475 10/1950 Cohan 150/112 X
- D. 172,026 4/1954 Hoyer D10/109 X

- D. 182,736 5/1958 Murray D3/237
- D. 370,777 6/1996 Dahlke D3/234
- 1,485,172 2/1924 Dowell 150/117 X
- 2,613,463 10/1952 Transue 116/63 X
- 2,869,504 1/1959 Andrews et al. D10/109

Primary Examiner—Doris Clark
Assistant Examiner—Monica A. Weingart
Attorney, Agent, or Firm—Charles W. McHugh

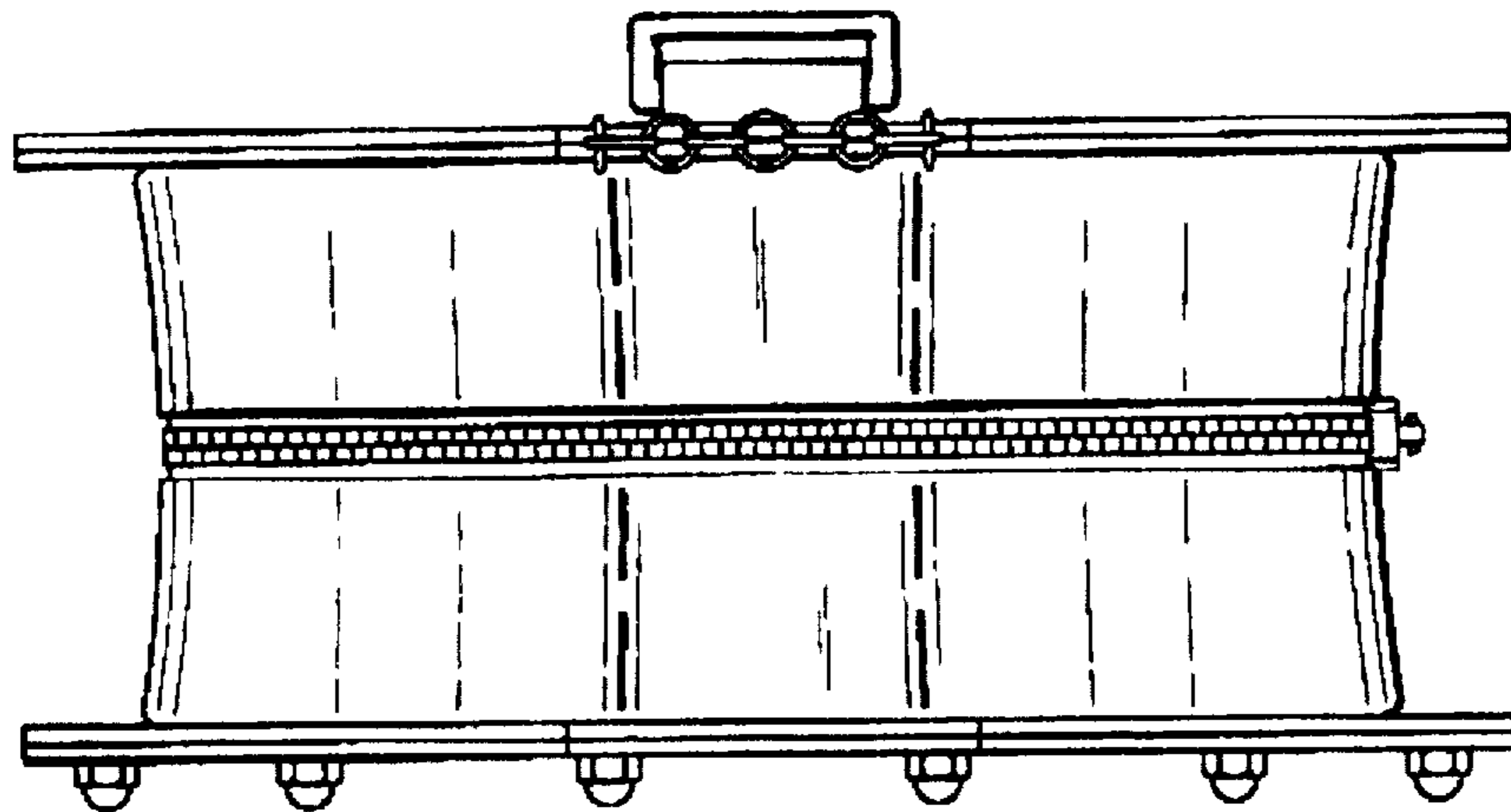
[57] **CLAIM**

The ornamental design for a "purse," as shown.

DESCRIPTION

FIG. 1 is a top plan view of a "purse," showing my new design;
FIG. 2 is a front elevational view thereof;
FIG. 3 is a bottom plan view thereof;
FIG. 4 is a left side elevational view thereof;
FIG. 5 is a right side elevational view thereof;
FIG. 6 is a rear elevational view thereof; and,
FIG. 7 is a cross-sectional view taken in the plane represented by the lines 7—7 in FIG. 5.

1 Claim, 3 Drawing Sheets



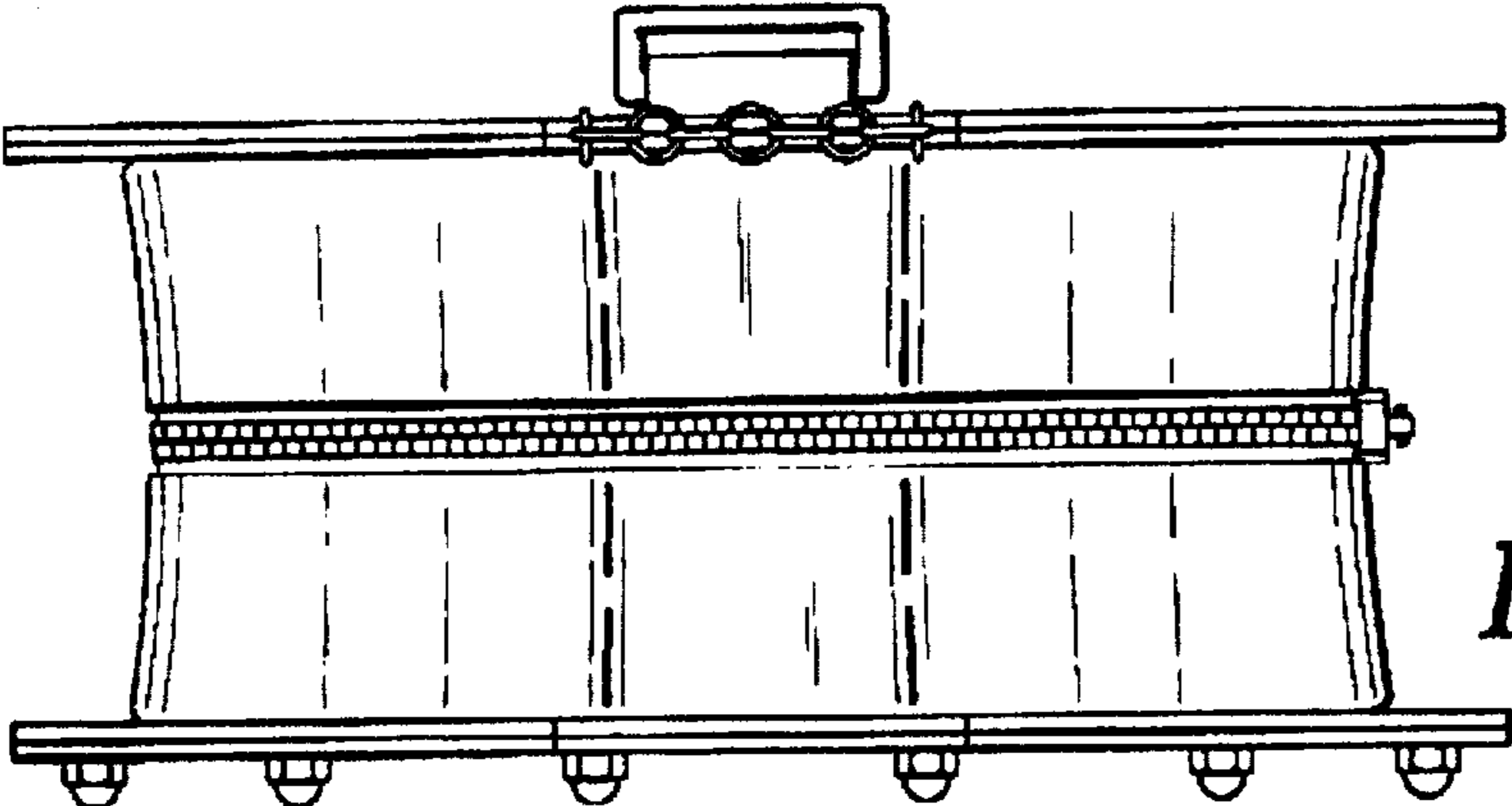


FIG. 1

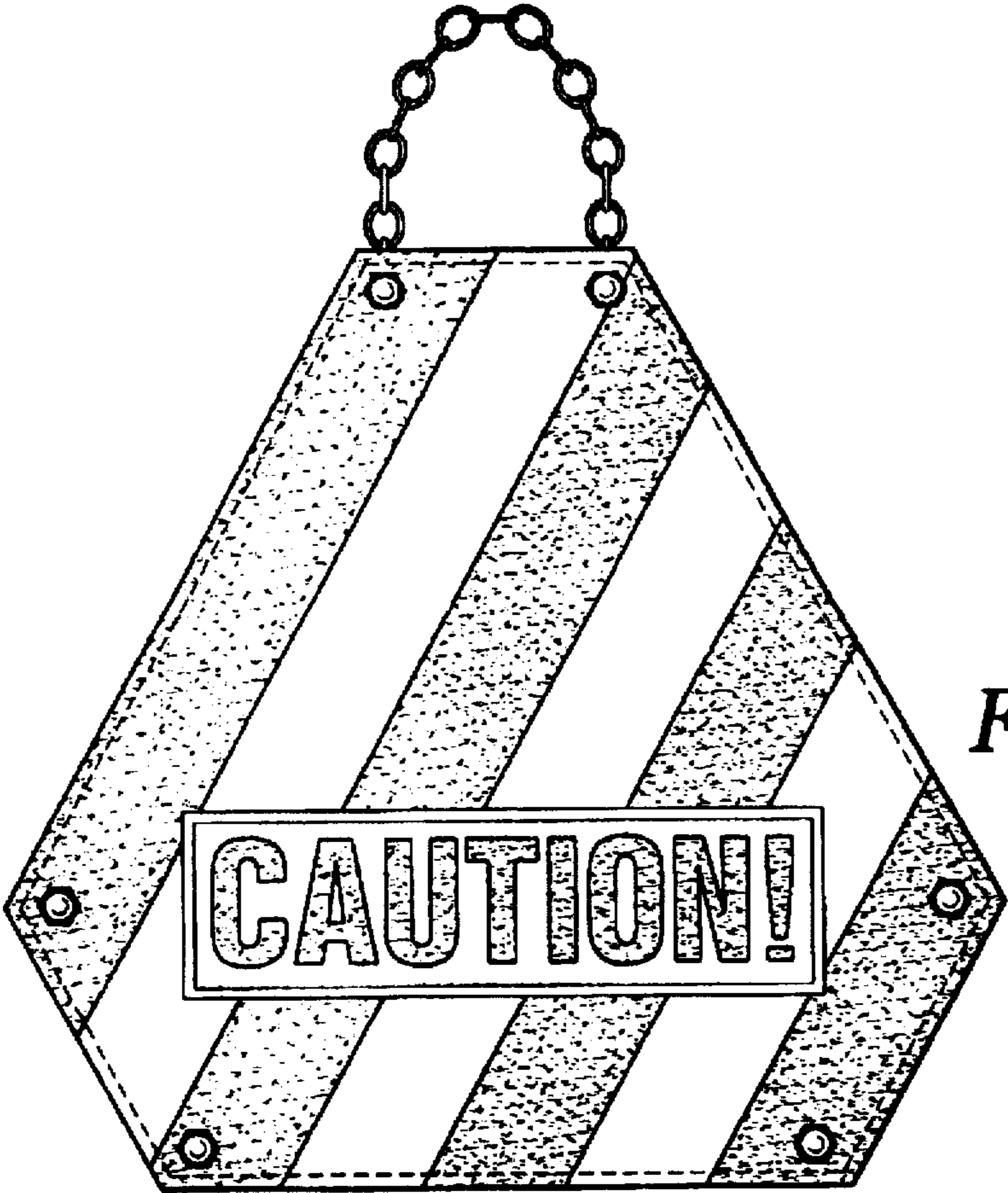


FIG. 2

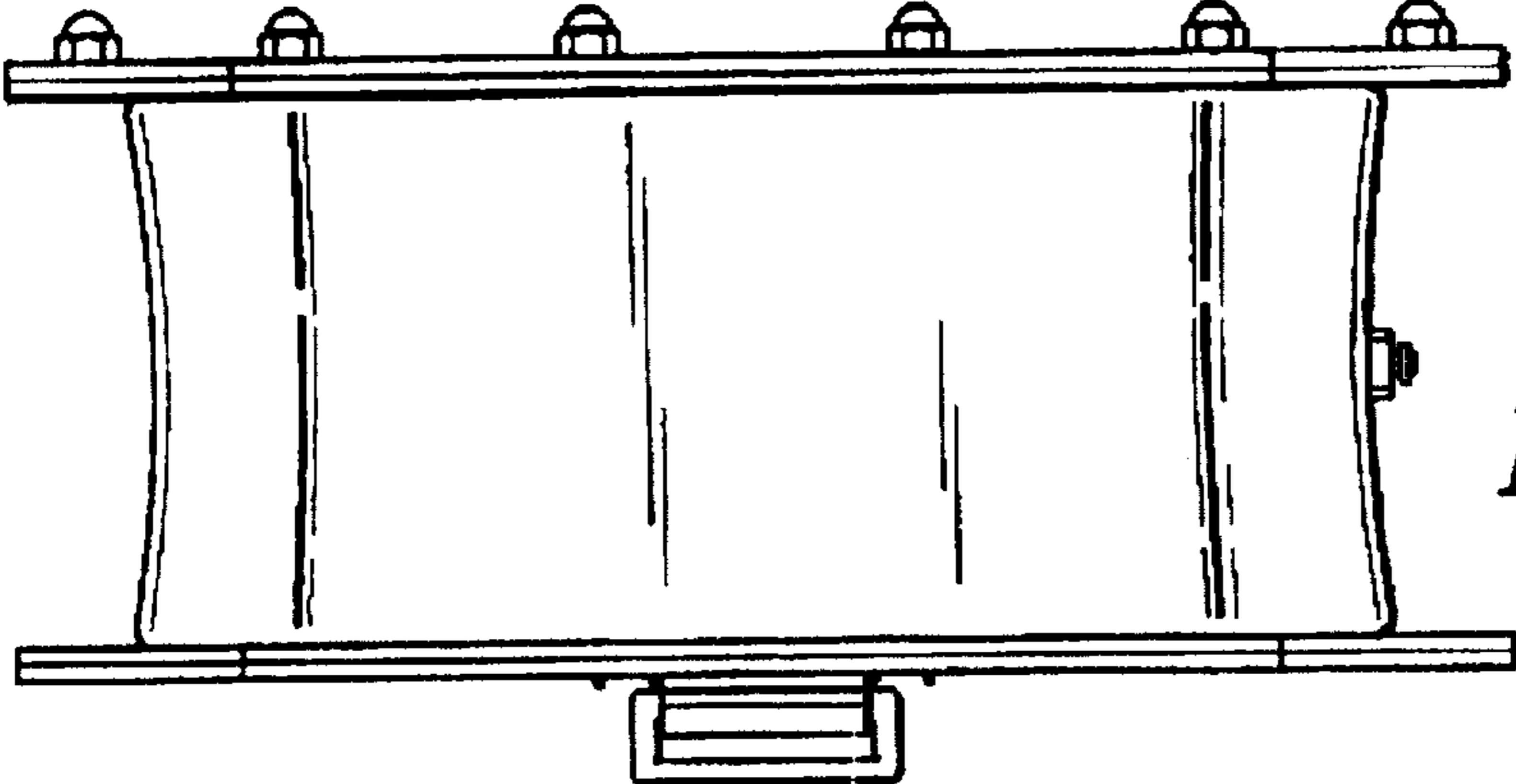


FIG. 3

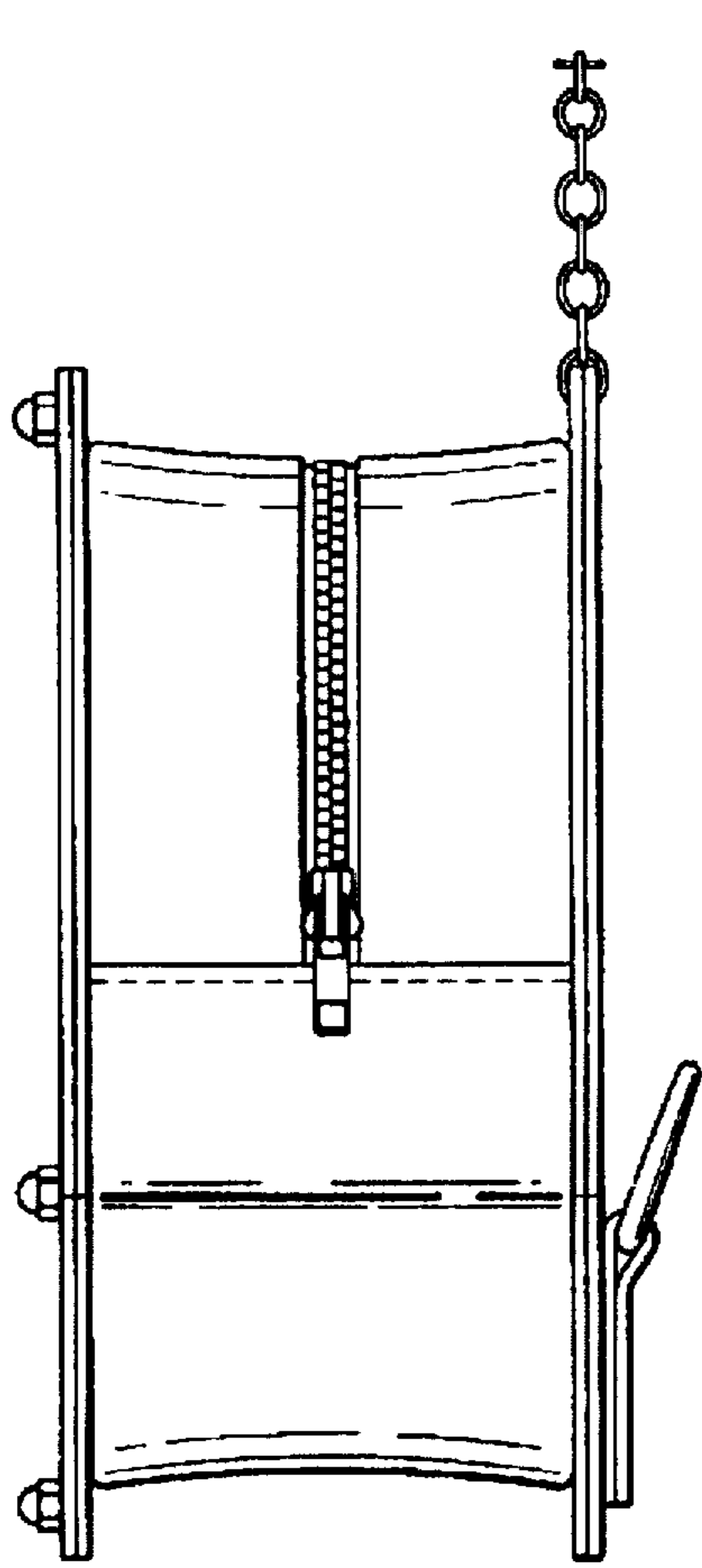


FIG. 4

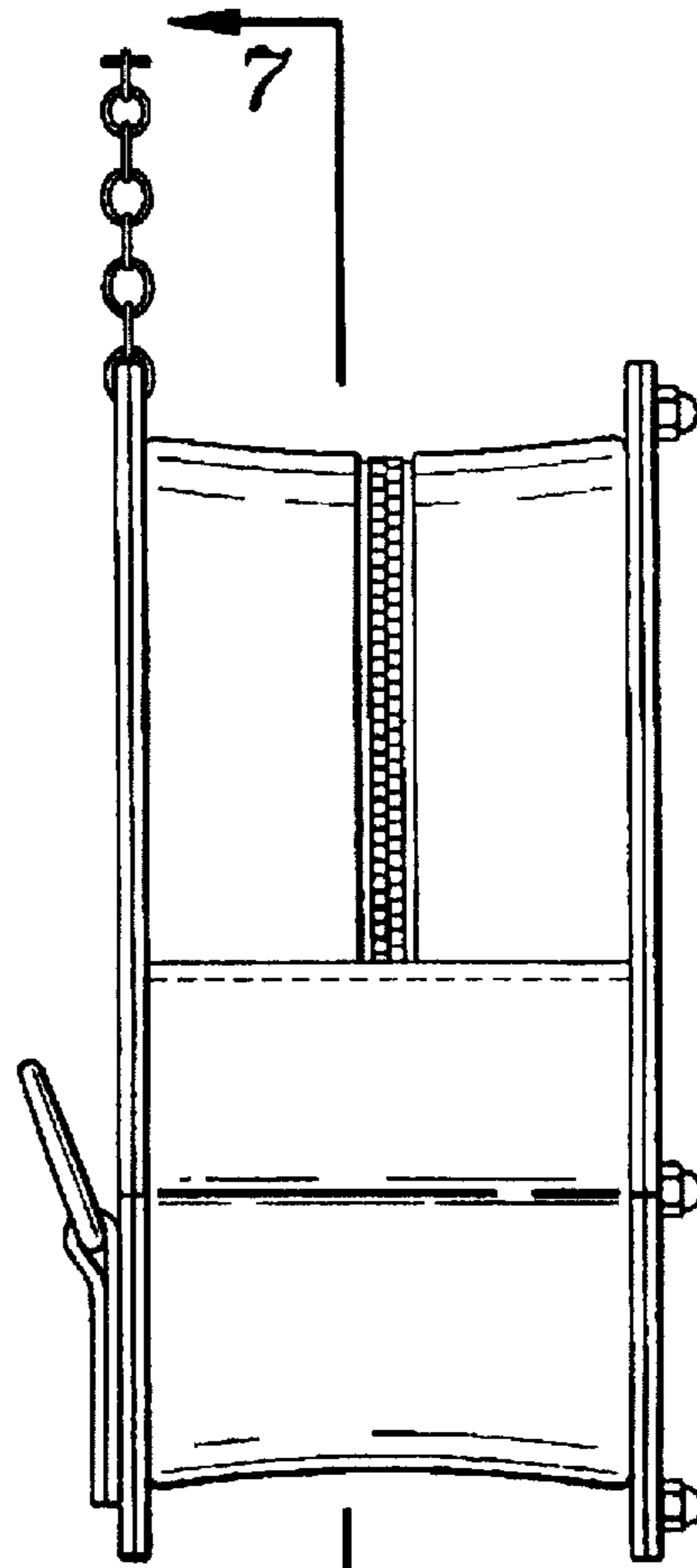


FIG. 5

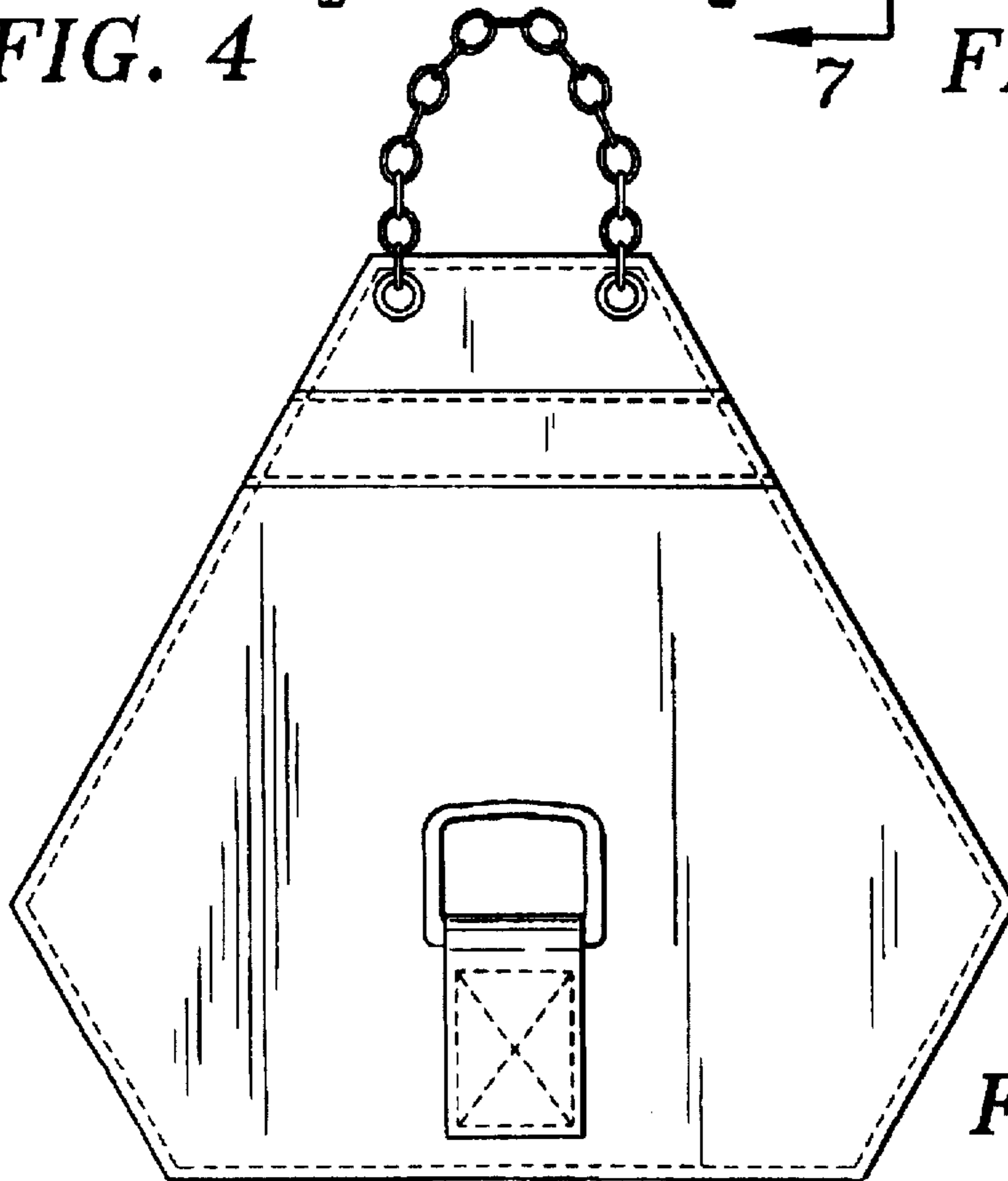


FIG. 6

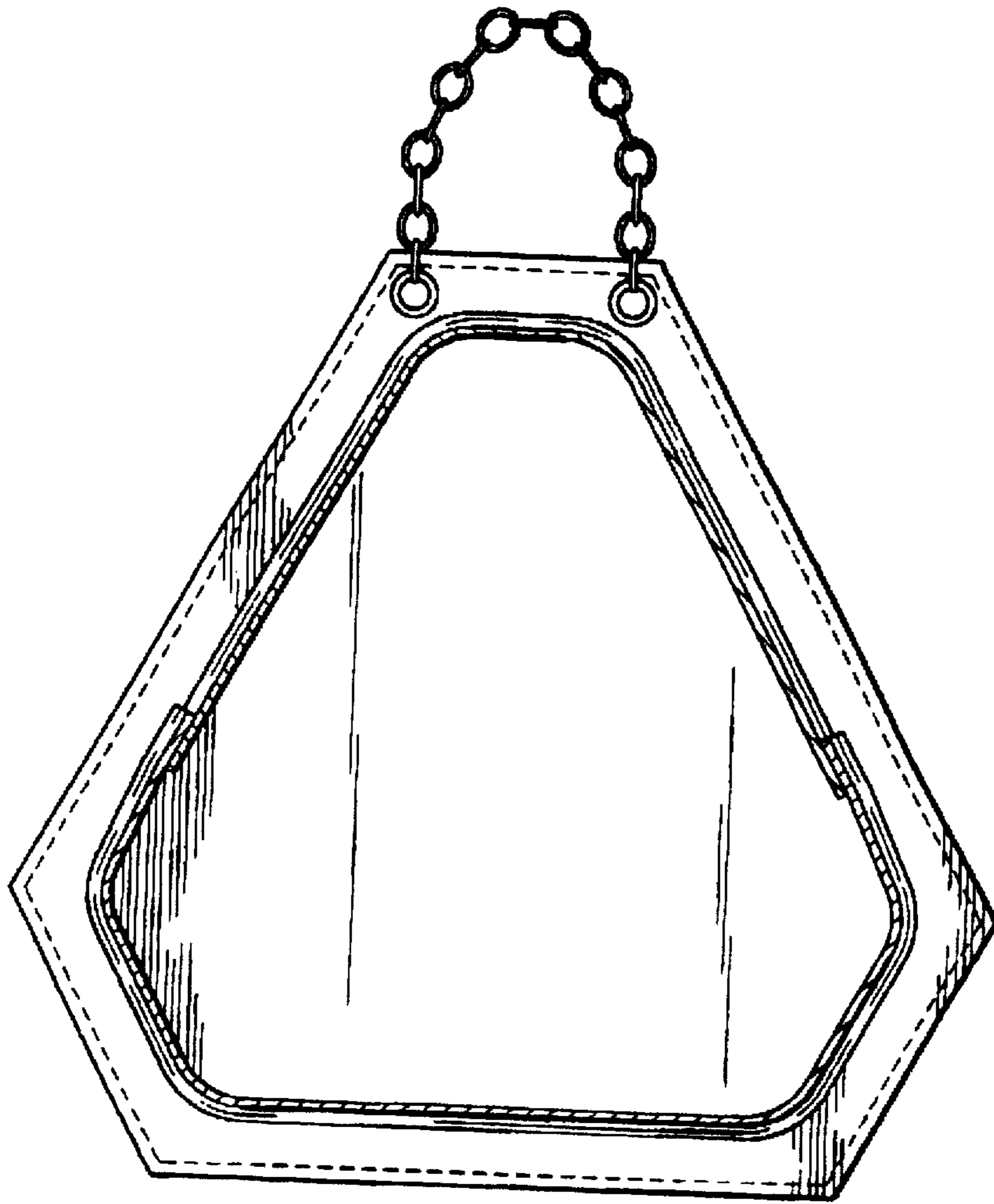


FIG. 7