



US00D394747S

# United States Patent [19] Cuypers

[11] Patent Number: **Des. 394,747**  
[45] Date of Patent: **\*\*Jun. 2, 1998**

[54] **CARRIER FOR PET FOOD AND WATER**

[75] Inventor: **Charles J. Cuypers, Doniphan, Nebr.**

[73] Assignee: **3-D Investment, Inc., Doniphan, Nebr.**

[\*\*] Term: **14 Years**

[21] Appl. No.: **35,225**

[22] Filed: **Feb. 16, 1995**

[51] LOC (6) Cl. .... **03-01**

[52] U.S. Cl. .... **D3/295; D3/282; D7/605;  
D30/130**

[58] Field of Search ..... **D3/282, 295; D30/129,  
D30/130; D7/709, 710, 605, 606, 626;  
220/501, 521, 522, 4.21, 4.24; 206/543,  
350, 818, 541**

[56] **References Cited**

**U.S. PATENT DOCUMENTS**

D. 194,339	1/1963	Harty, Jr. ....	D3/282
D. 249,825	10/1978	Hasulak ....	D3/282
D. 269,648	7/1983	Wilcox et al. ....	D3/282
D. 319,947	9/1991	Ryan ....	D3/282
D. 360,757	8/1995	Snetting et al. ....	D3/282
D. 363,648	10/1995	O'Brien ....	D7/605
2,672,232	3/1954	Kessell, Jr. ....	D7/709
4,350,274	9/1982	Morgan ....	D3/289
5,301,829	4/1994	Chrisco ....	206/216

*Primary Examiner*—Philip S. Hyder  
*Attorney, Agent, or Firm*—Zarley, McKee, Thomte  
Voorhees & Sease; Mark D. Frederiksen

[57] **CLAIM**

The ornamental design for a carrier for pet food and water, as shown and described.

**DESCRIPTION**

FIG. 1 is a perspective view of the lid portion and base portion of the carrier for pet food and water showing my new design in an unassembled state;

FIG. 2 is a front elevational view of the base portion thereof;

FIG. 3 is a top plan view of the base portion;

FIG. 4 is a right side elevational view of the base portion, the left side elevational view being a mirror image thereof;

FIG. 5 is a bottom plan view of the base portion;

FIG. 6 is a rearward end elevational view of the base portion, taken from the bottom of FIG. 3;

FIG. 7 is a top plan view of the lid portion;

FIG. 8 is a front elevational view of the lid portion;

FIG. 9 is a right end elevational view taken from the right end of FIG. 8, the left end elevational view being a mirror image thereof;

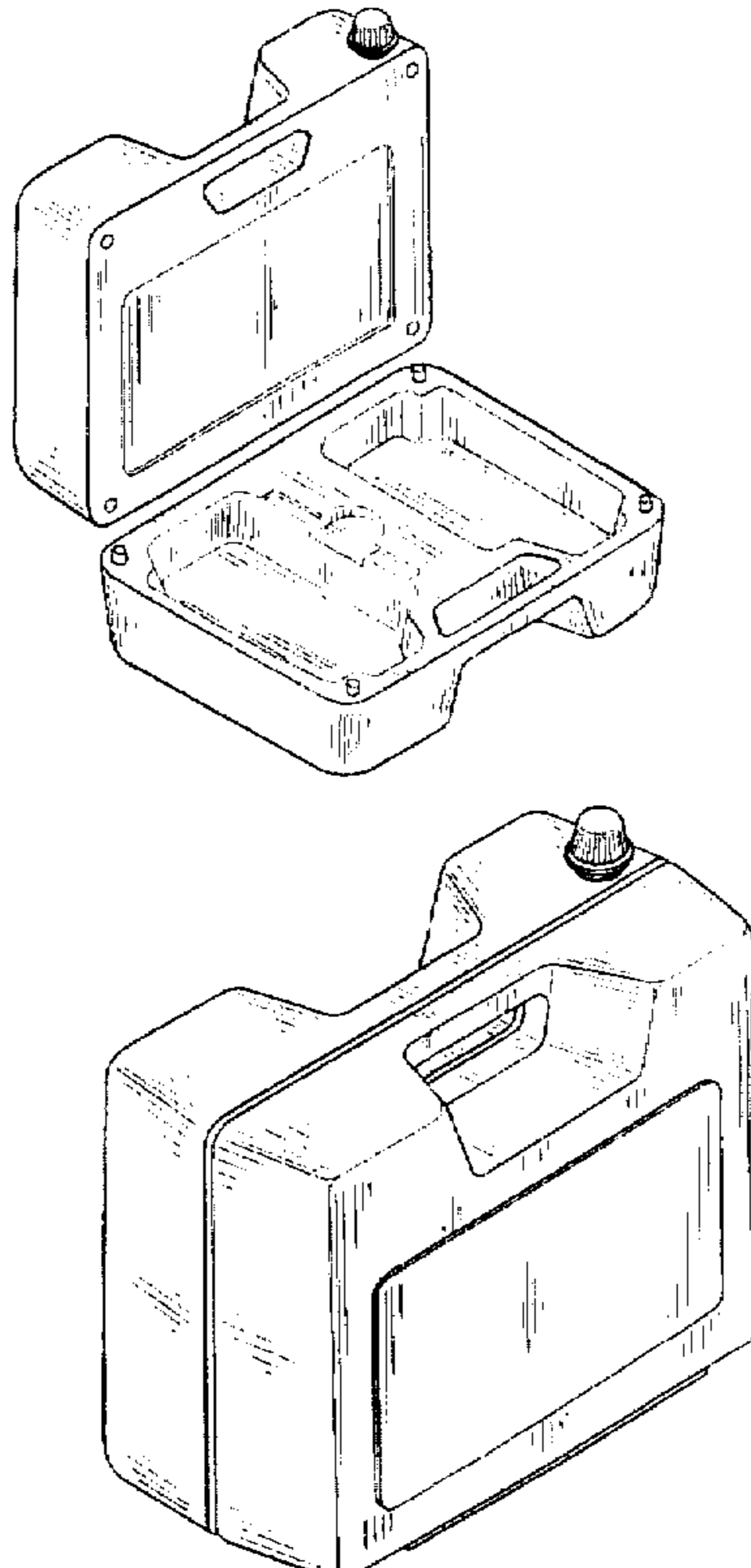
FIG. 10 is a rearward elevational view of the lid portion;

FIG. 11 is a bottom plan view of the lid portion;

FIG. 12 is a front perspective view of the carrier for pet food and water showing my new design in an assembled state; and,

FIG. 13 is a rearward perspective view of the carrier for pet food and water showing my new design in an assembled state.

**1 Claim, 3 Drawing Sheets**



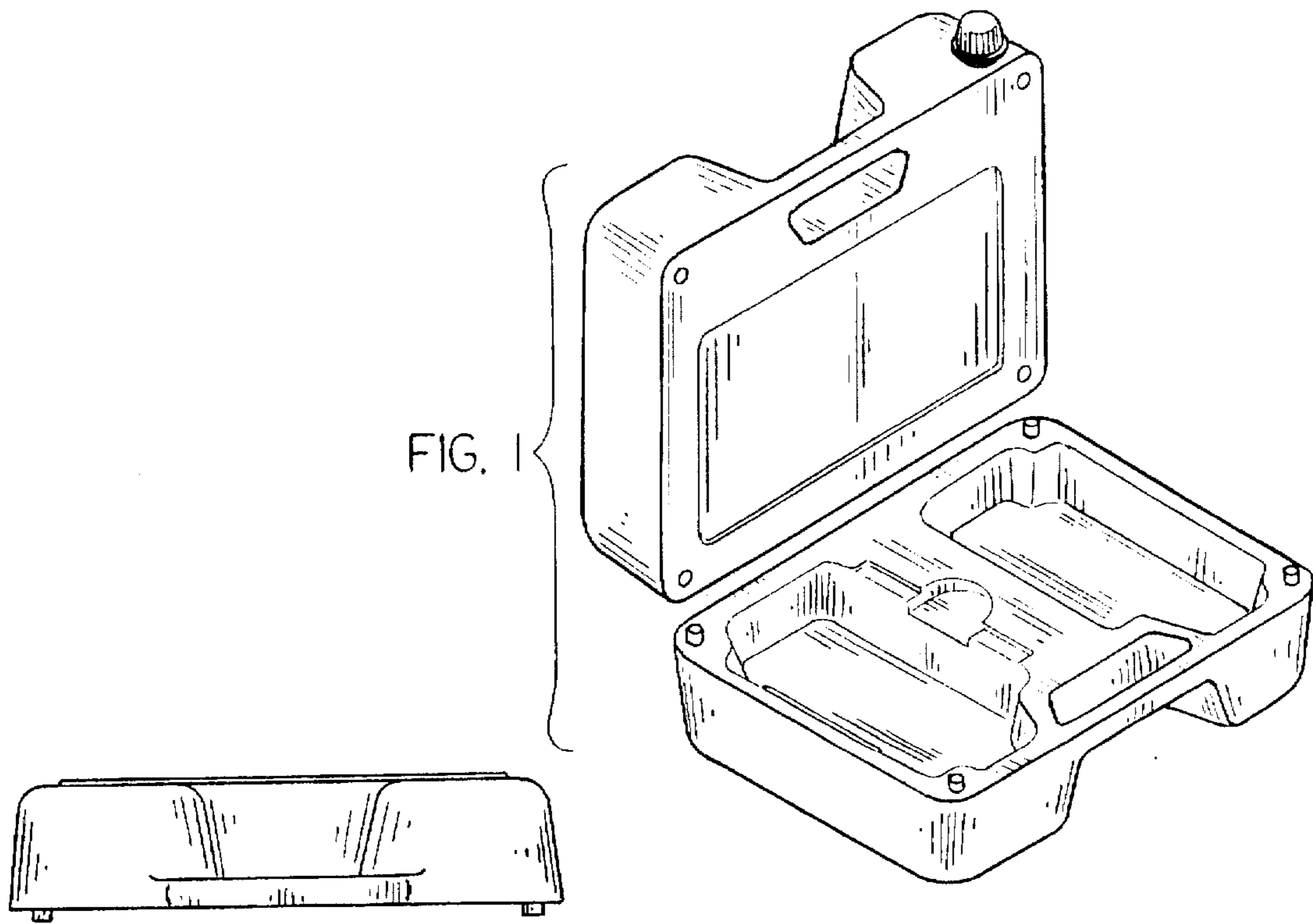


FIG. 1

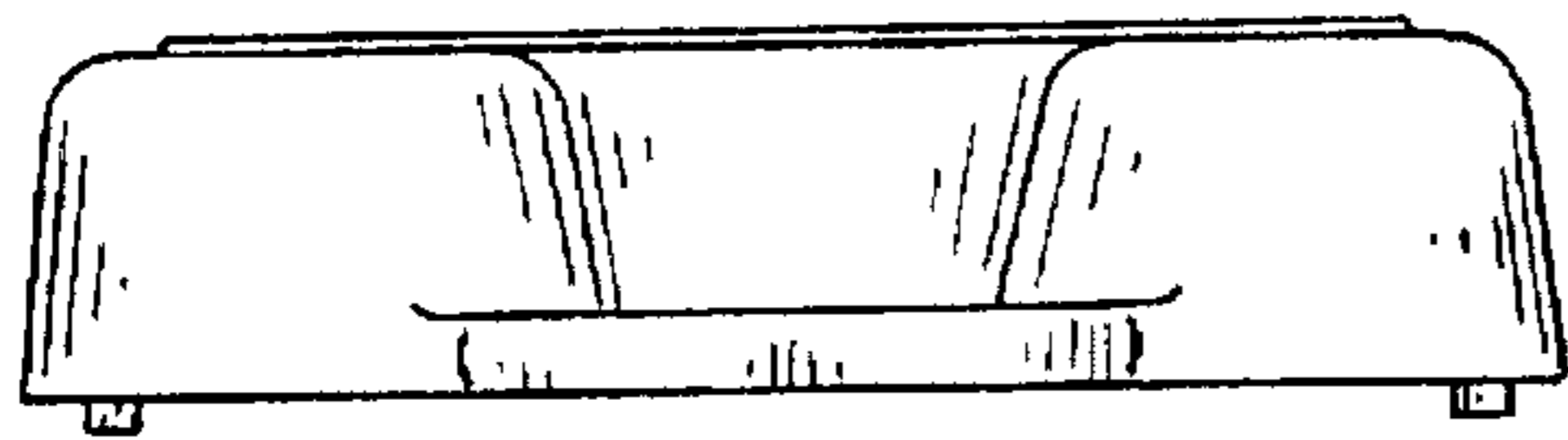


FIG. 2

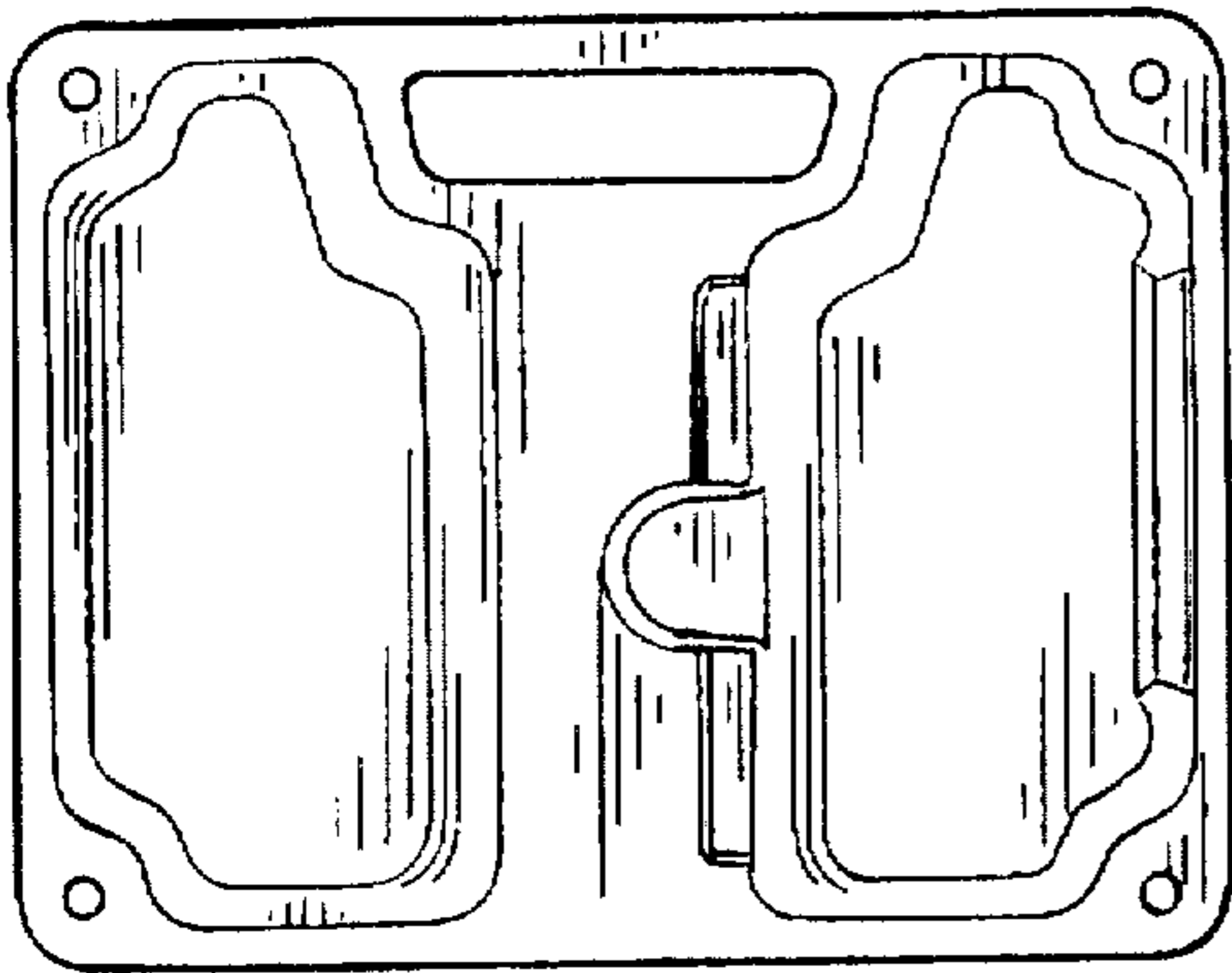


FIG. 3

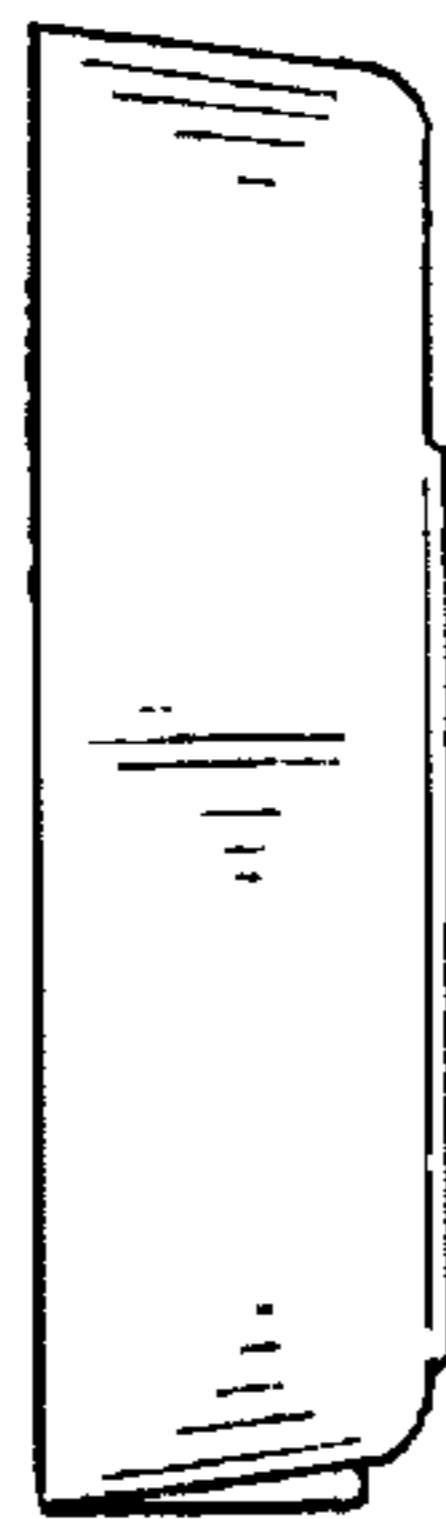


FIG. 4

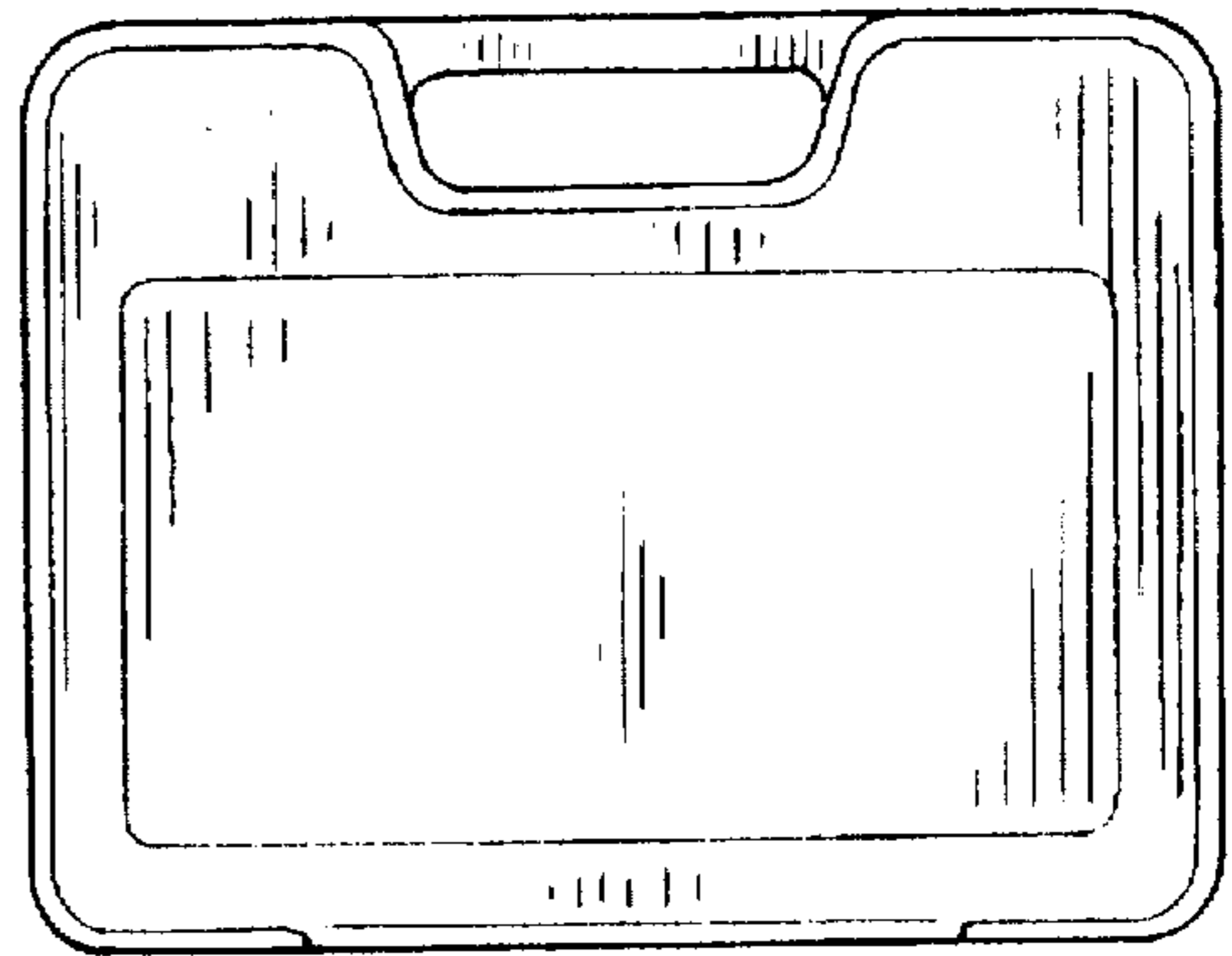


FIG. 5

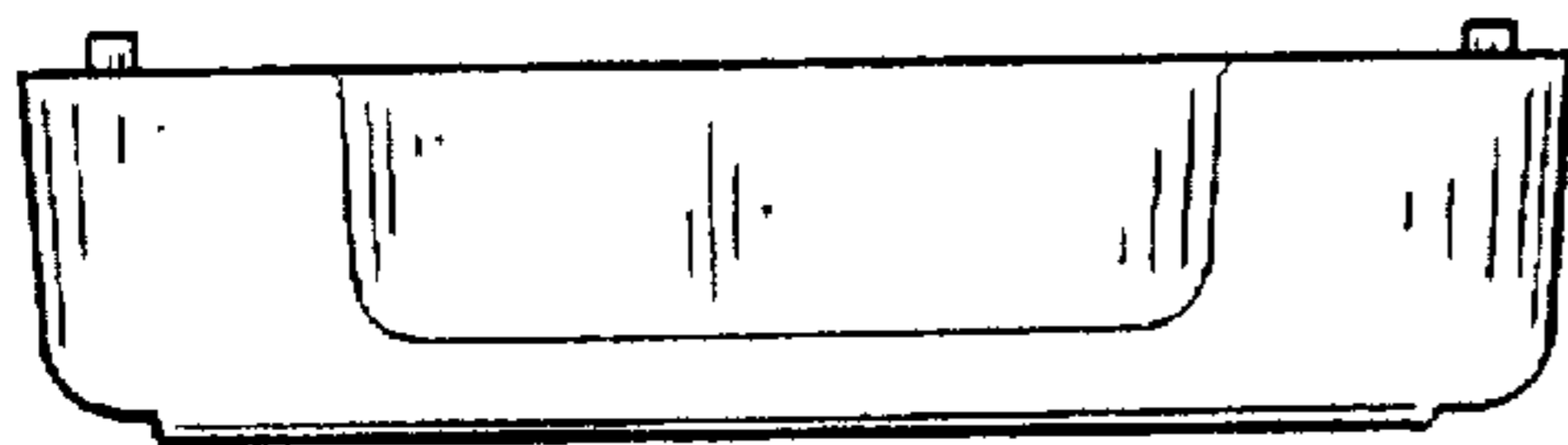


FIG. 6

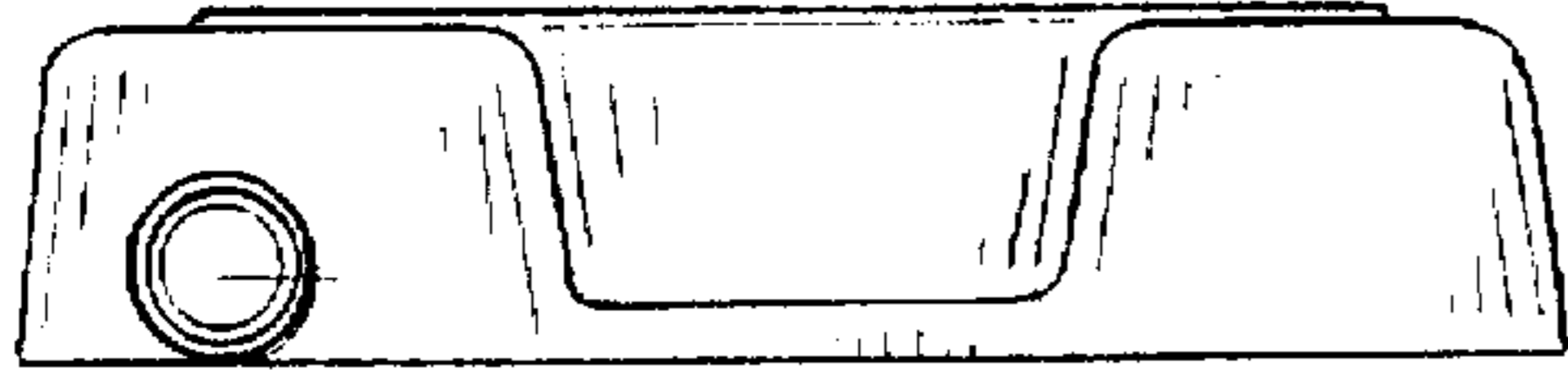


FIG. 7

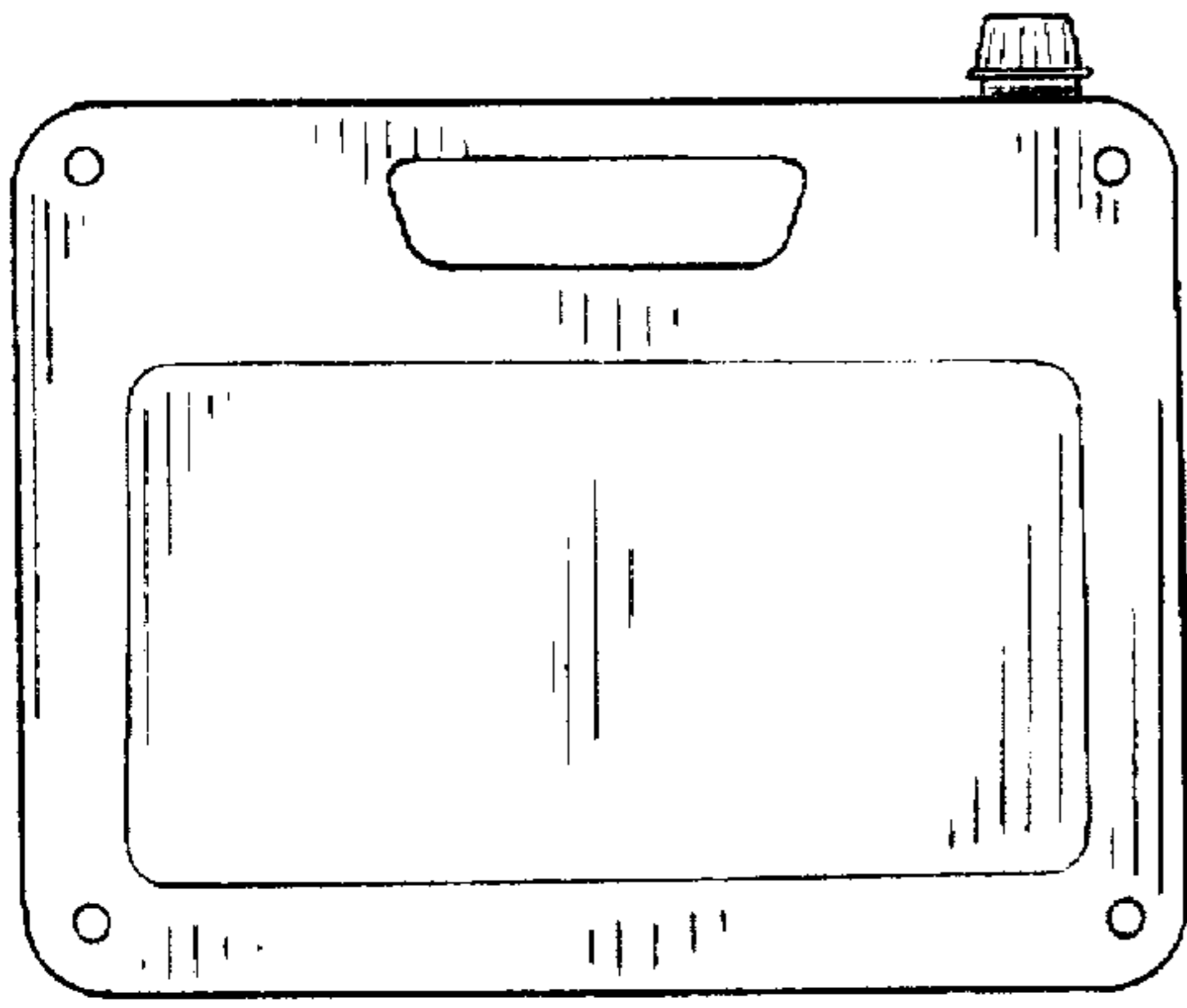


FIG. 8

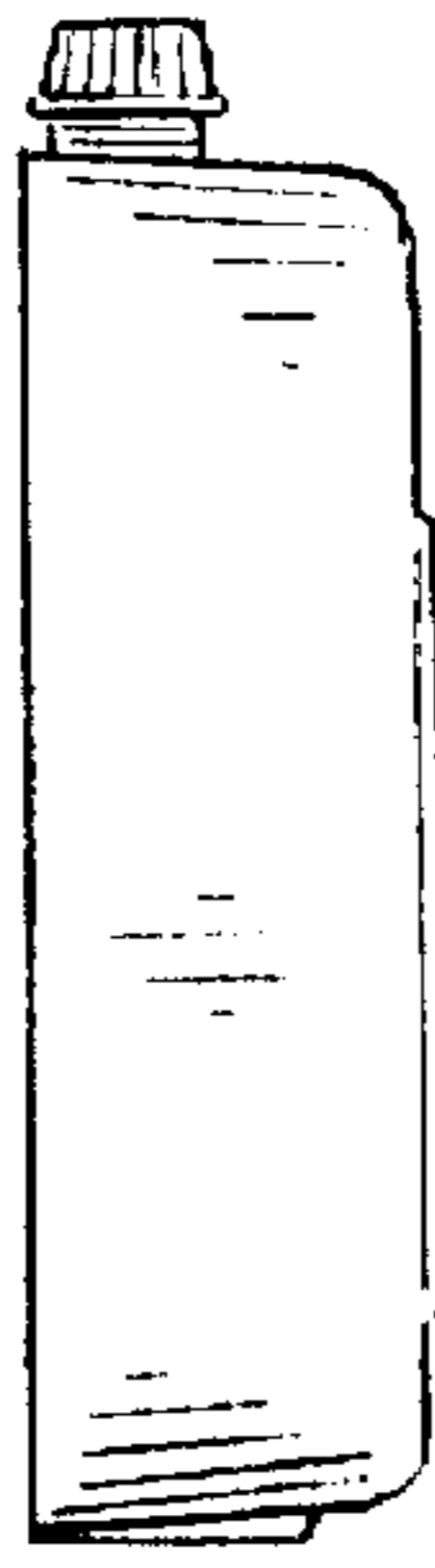


FIG. 9

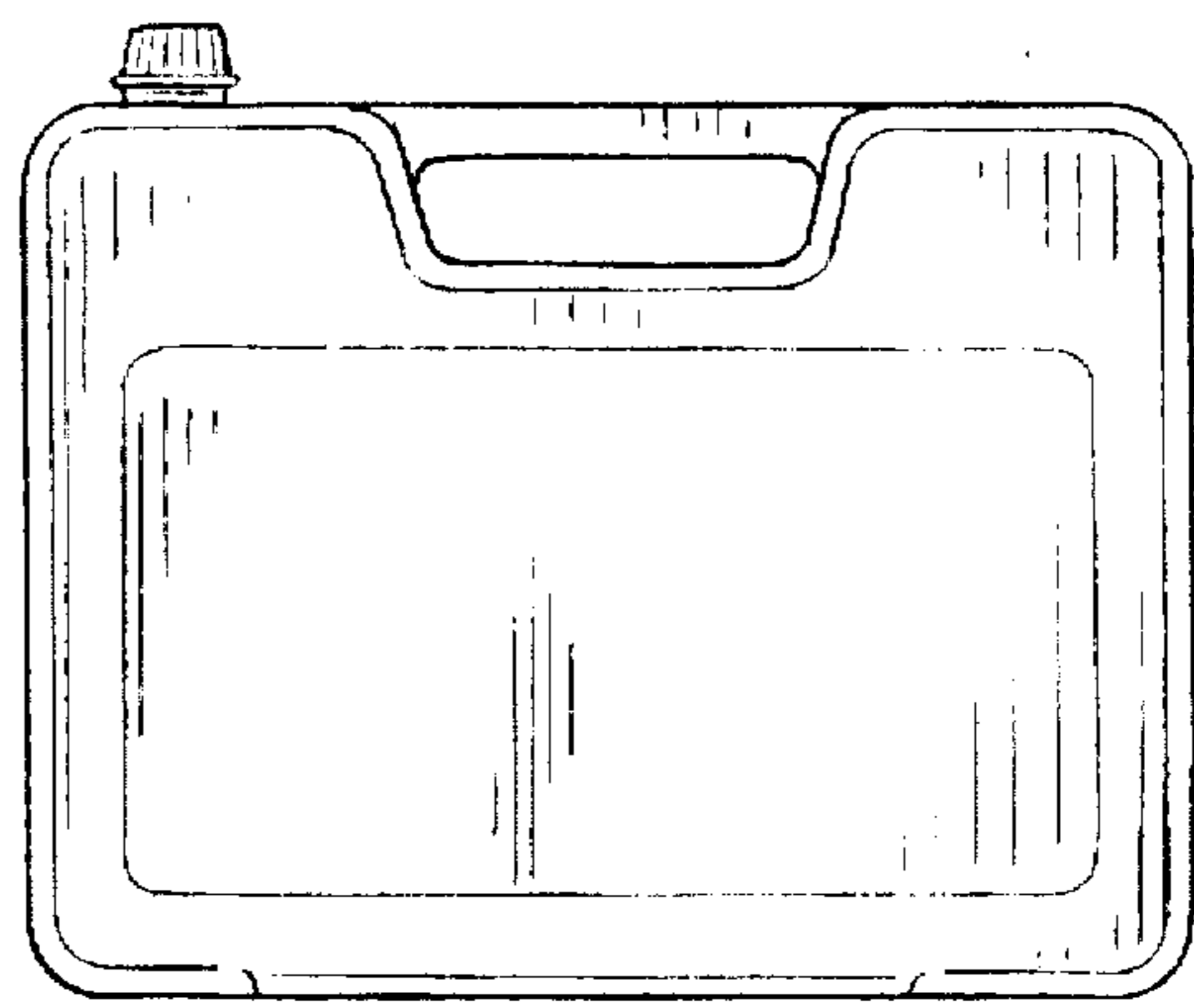


FIG. 10

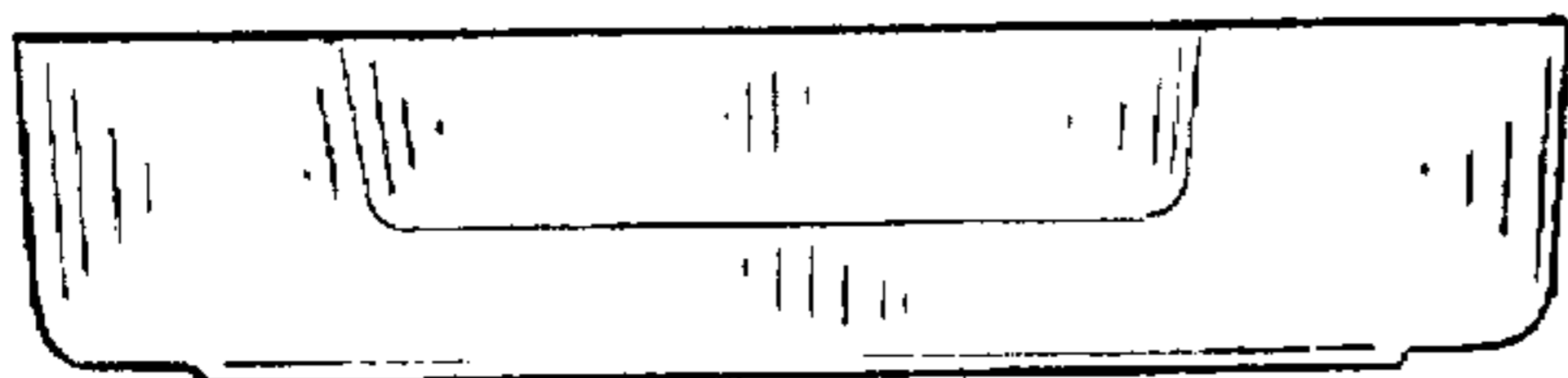


FIG. 11

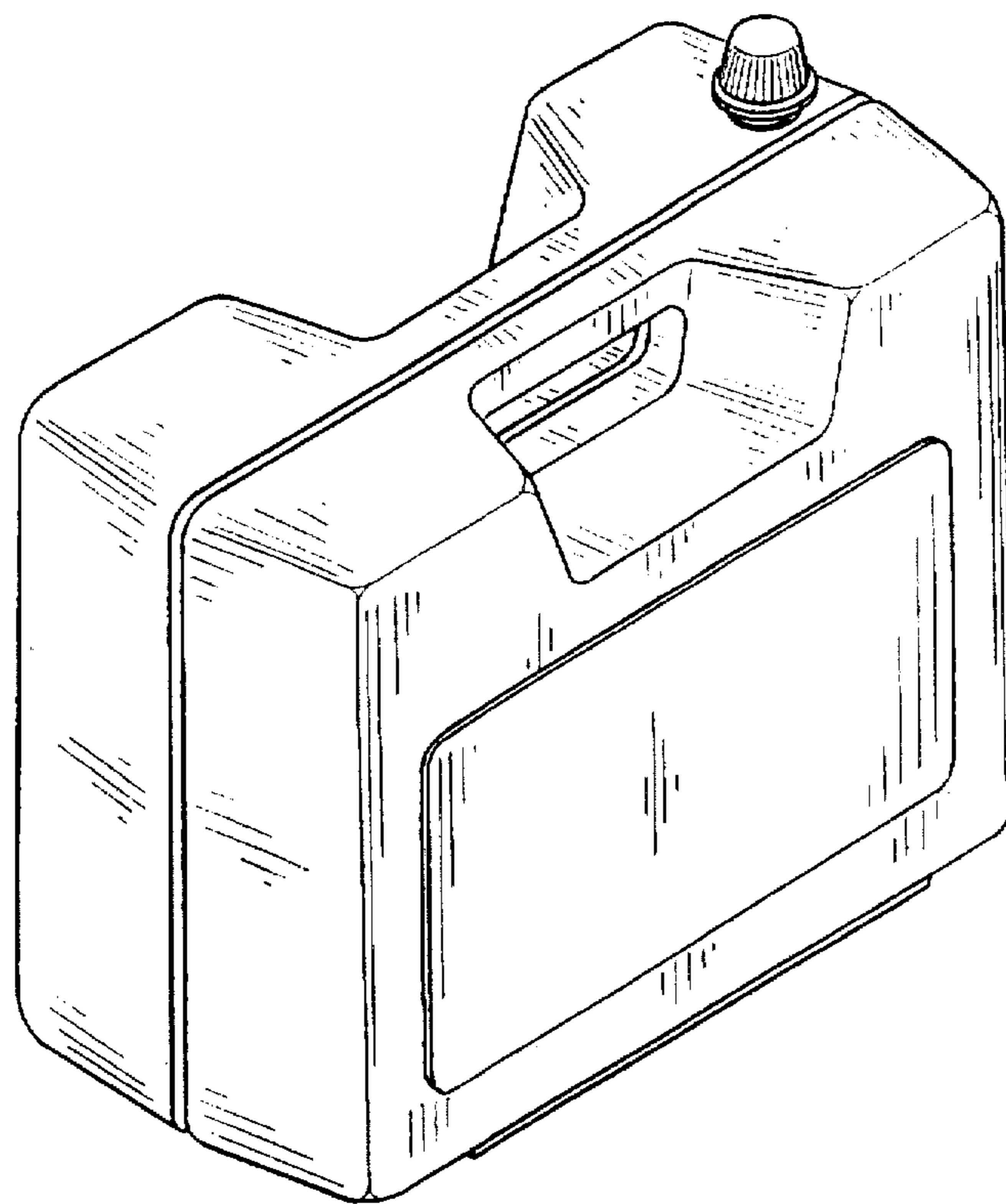


FIG. 12

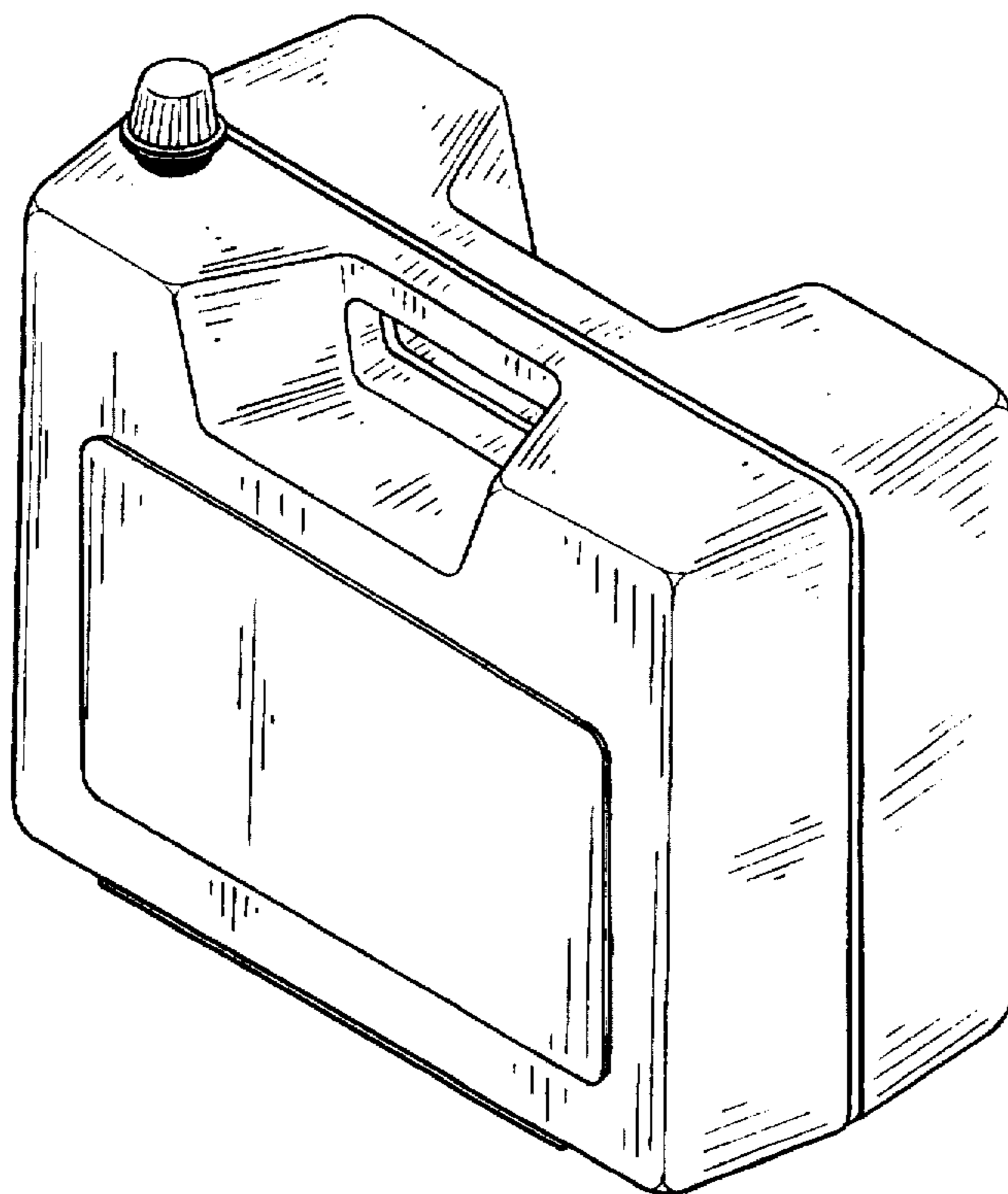


FIG. 13



UNITED STATES PATENT AND TRADEMARK OFFICE  
CERTIFICATE OF CORRECTION

PATENT NO : D394,747

DATED : June 2, 1998

INVENTOR(S): Charles J. Cuypers

It is certified that error appears in the above-identified patent and that said Letters Patent is hereby corrected as shown below:

On the cover page, please add the following as an inventor

--R. G. Phelps, Doniphan, Nebraska.--.

Signed and Sealed this

Twenty-ninth Day of December, 1998

*Attest:*



BRUCE LEHMAN

*Attesting Officer*

*Commissioner of Patents and Trademarks*