



US00D394734S

**United States Patent** [19]  
**D'Odorico**

[11] **Patent Number: Des. 394,734**  
[45] **Date of Patent: \*\*May 26, 1998**

[54] **BIRD CAGE**  
[75] **Inventor: Giorgio D'Odorico, Milan, Italy**  
[73] **Assignee: Société des Produits Nestlé S.A.,  
Vevey, Switzerland**  
[\*\*] **Term: 14 Years**

1,771,491	7/1930	Hendryx	119/462
1,944,566	1/1934	Meindl	119/462
2,939,422	6/1960	Yellin	D30/115
3,683,857	8/1972	Yellin	119/461
5,377,619	1/1995	Katz	119/461
5,435,265	7/1995	Yasuhiro	119/459

[21] **Appl. No.: 57,676**  
[22] **Filed: Jul. 30, 1996**  
[30] **Foreign Application Priority Data**

**FOREIGN PATENT DOCUMENTS**

090003727 4/1990 WIPO ..... 119/475

*Primary Examiner*—Cathy Anne MacCormac  
*Attorney, Agent, or Firm*—Harrison & Egbert

Jan. 31, 1996 [IT] Italy ..... UD9600003  
[51] **LOC (6) Cl. .... 30-02**  
[52] **U.S. Cl. .... D30/115**  
[58] **Field of Search .... D30/115, 124;  
119/459, 453, 461-462, 464, 475, 452**

[57] **CLAIM**

The ornamental design for a bird cage design, as shown and described.

**DESCRIPTION**

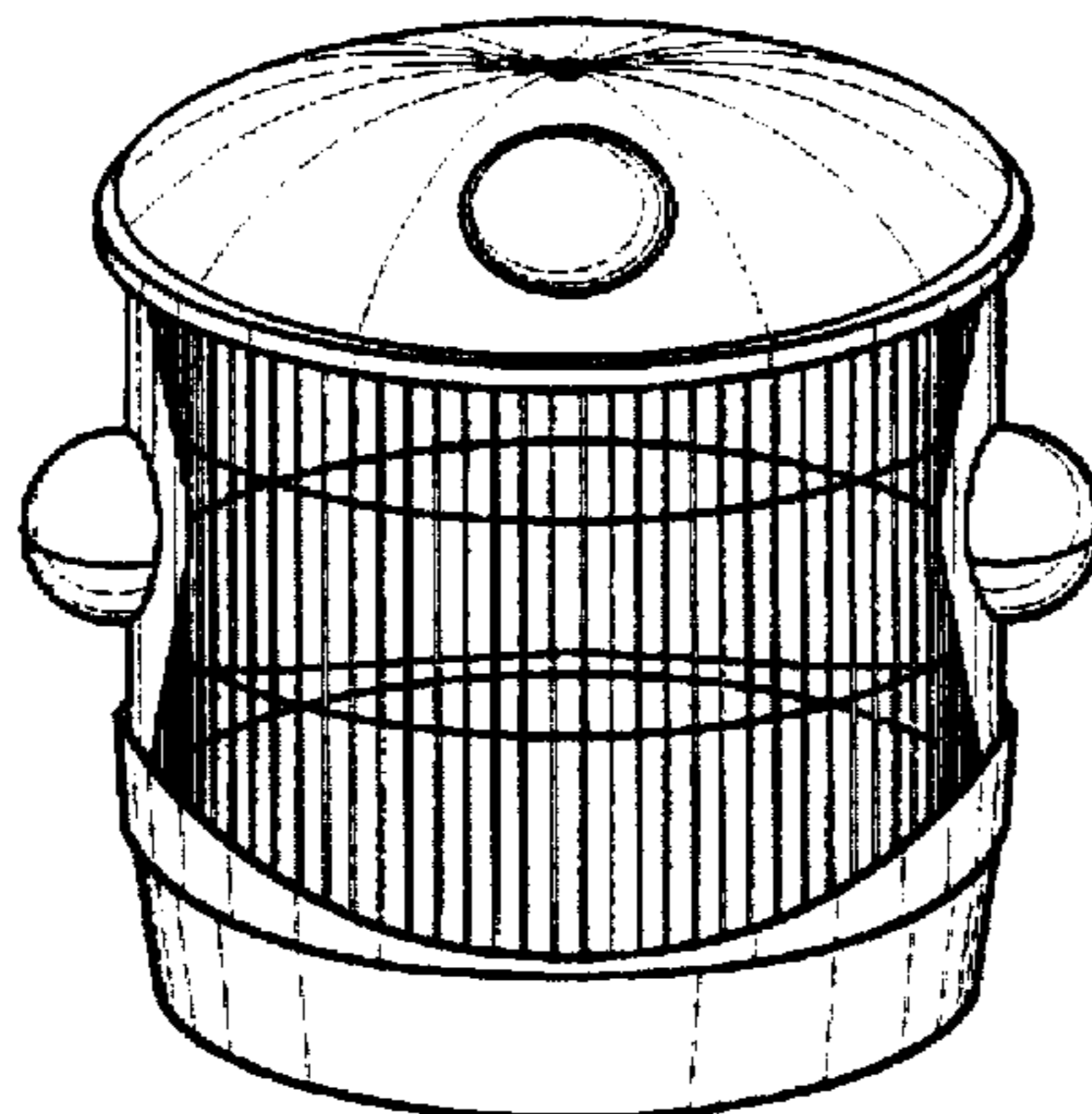
FIG. 1 is a front perspective view of a bird cage showing my design;  
FIG. 2 is a front view thereof, the back view being a mirror image thereof;  
FIG. 3 is a side view thereof, the opposite side being a mirror image thereof;  
FIG. 4 is a plan view thereof; and,  
FIG. 5 is a bottom view thereof.

[56] **References Cited**

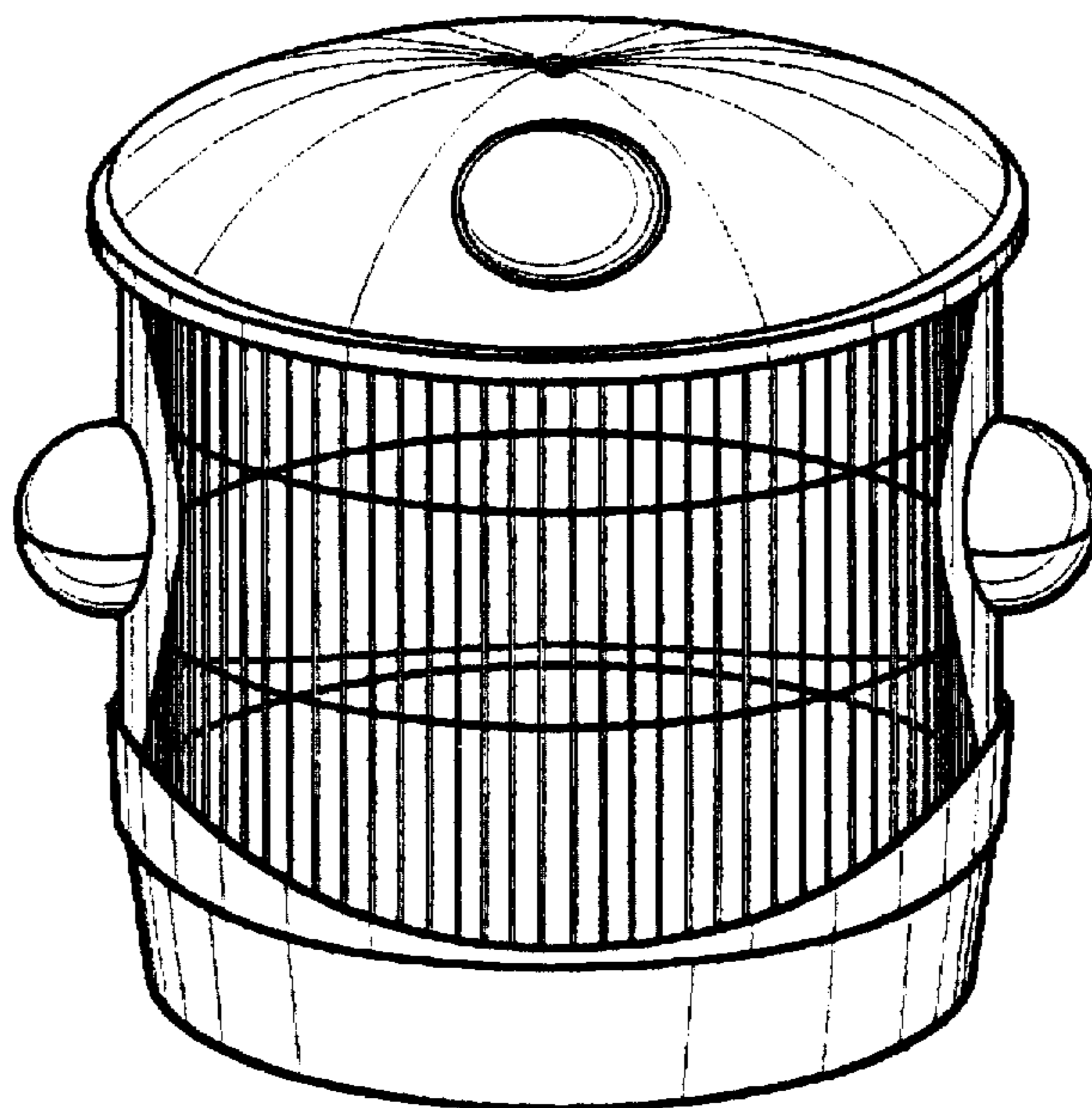
**U.S. PATENT DOCUMENTS**

D. 64,852	6/1924	Hue	D30/115
D. 109,160	4/1938	Stern	D30/119
D. 177,278	3/1956	Reachert	D30/115
D. 260,306	8/1981	Brio et al.	D30/115
963,995	7/1910	Compton	D30/115
1,743,426	1/1930	Chadwick	119/464

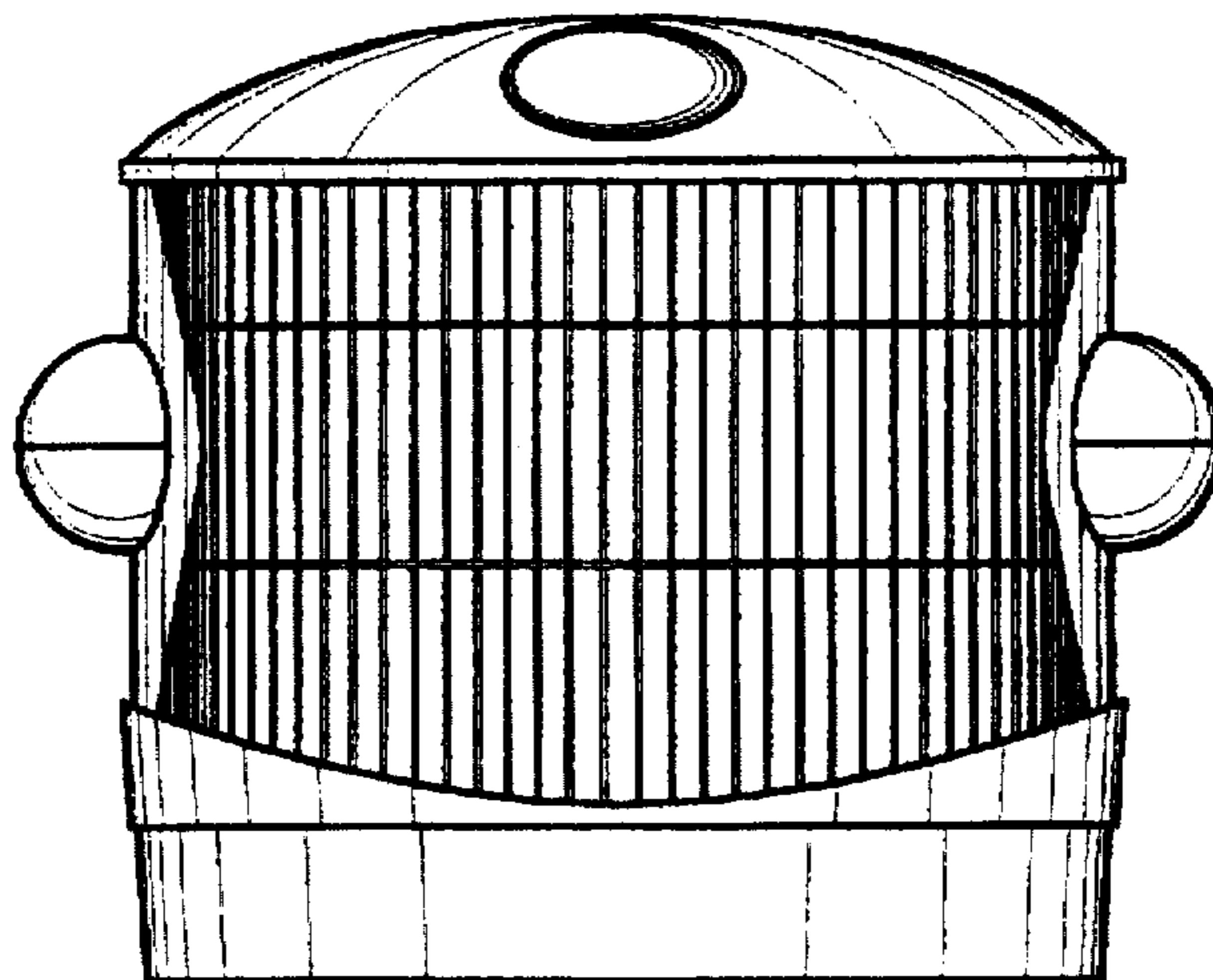
**1 Claim, 2 Drawing Sheets**



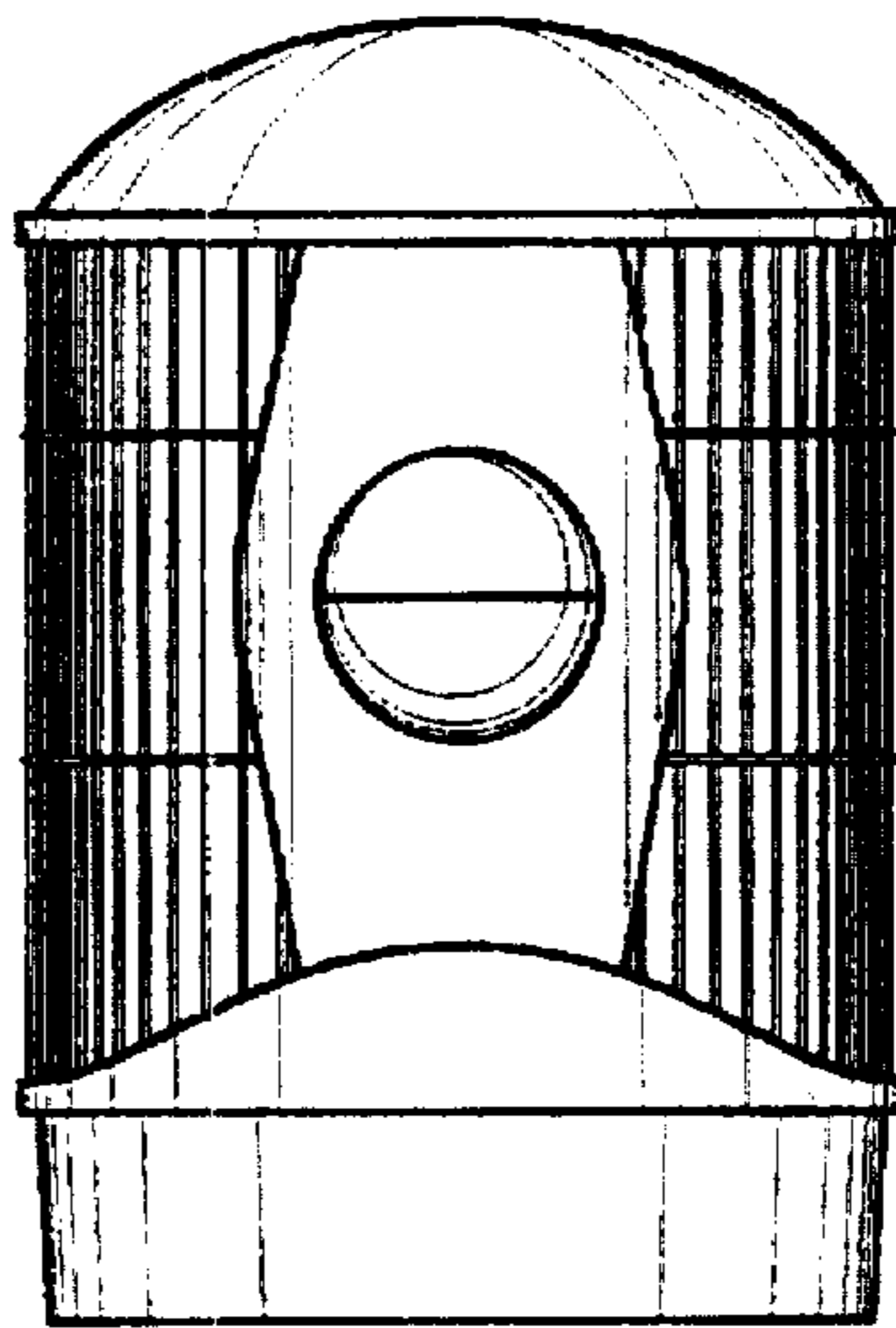
*FIG. 1*



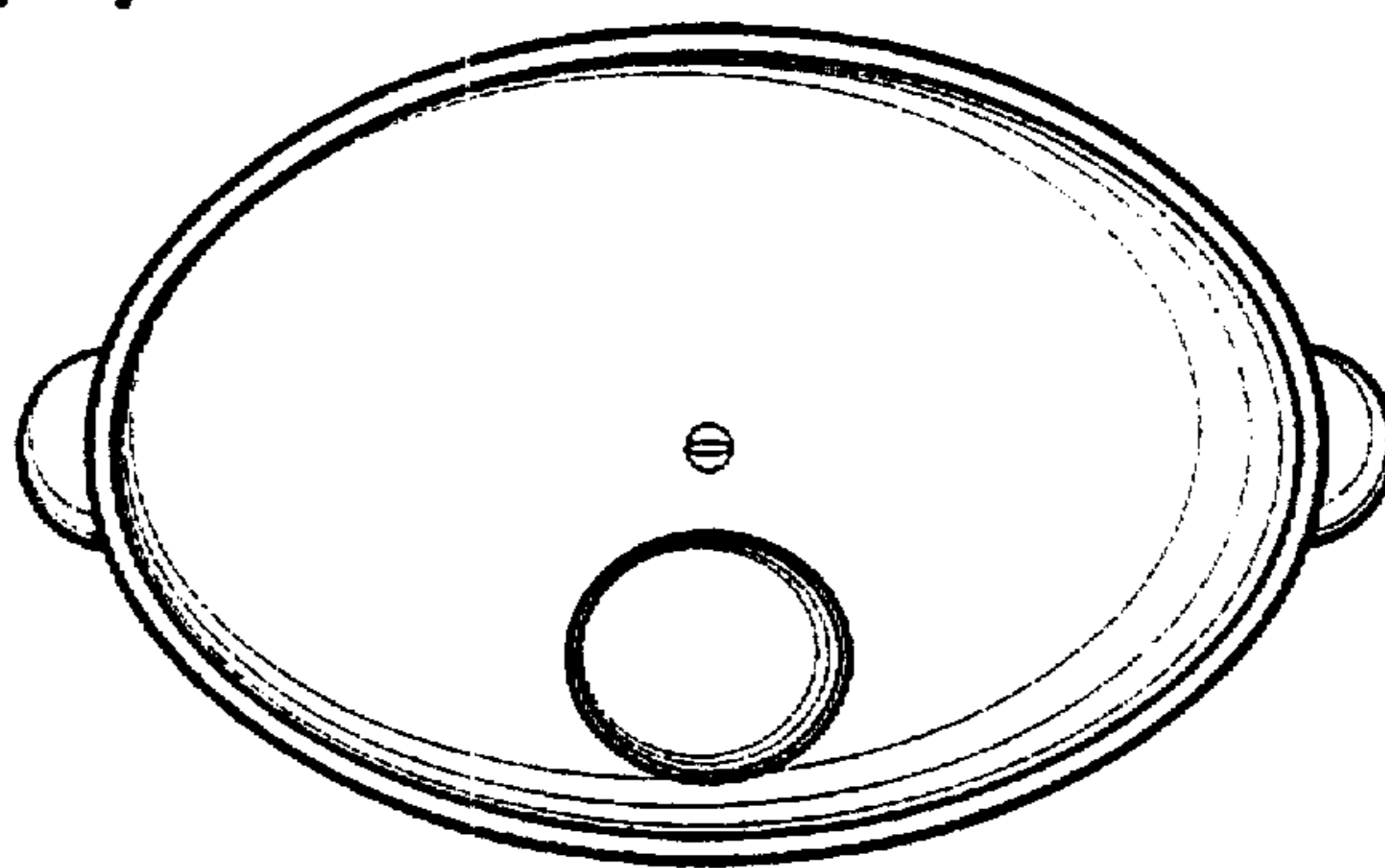
*FIG. 2*



*FIG. 3*



*FIG. 4*



*FIG. 5*

