

US00D394733S

United States Patent [19] Nowicki

[11] Patent Number: Des. 394,733
[45] Date of Patent: **May 26, 1998

[54] CANINE CAR SEAT
[76] Inventor: **Mary D. Nowicki**, 5221 Clausen Ave.,
Western Springs, Ill. 60588
[**] Term: **14 Years**
[21] Appl. No.: **42,455**
[22] Filed: **Jul. 10, 1995**

4,512,286 4/1985 Rux 119/28.5 X
4,597,359 7/1986 Moorman 119/28.5
5,044,321 9/1991 Selph 224/275
5,123,377 6/1992 Edwards 119/28.5
5,226,576 7/1993 Ellsworth 224/275
5,379,536 1/1995 Lorenzana 220/485 X

FOREIGN PATENT DOCUMENTS

2141349 5/1990 Japan 224/275
90439 9/1921 Switzerland 119/61
2238993 6/1991 United Kingdom 224/275

Related U.S. Application Data

[63] Continuation-in-part of Ser. No. 8,502, May 18, 1993,
abandoned.
[51] LOC (6) Cl. **30-02**
[52] U.S. Cl. **D30/114; D12/416; D12/407**
[58] Field of Search D30/144, 114,
D30/118; D12/411, 415-416, 419-420,
407; 119/771, 28.5; D3/260; 220/485, 491;
224/400, 275, 268; D6/390

OTHER PUBLICATIONS

Pet Care Seat Advertisement, 1991, p. 24.
Toys and Bicycles, Jul. 1938, p. 80. Wald Mfg. Co., Inc.
Wire Bicycle Basket.
Androck Bicycle Baskets, 1963, p. 31, See Basket #142.

Primary Examiner—James Gandy
Assistant Examiner—Stacia Sinuik
Attorney, Agent, or Firm—Robert A. Brown

[56] References Cited

U.S. PATENT DOCUMENTS

D. 174,004 2/1955 Schiffman D6/390
D. 245,716 9/1977 Russo D30/118
D. 349,317 8/1994 Offutt D3/260 X
D. 365,481 12/1995 McKeon D3/260 X
1,172,352 2/1916 Georgie 224/400 X
1,351,746 9/1920 Eberle D12/420 X
1,912,514 6/1933 Curtis et al. 119/28.5
2,932,544 4/1960 Lambert 224/275
3,175,743 3/1965 Richard 224/42.46
3,465,930 9/1969 La Croix 119/28.5
3,532,246 10/1970 Wenta 220/485 X
4,010,880 3/1977 Guillot-Munoz 224/275

[57] CLAIM

The ornamental design for a canine car seat, as shown and described.

DESCRIPTION

FIG. 1 is a right side view of a canine car seat showing my new design;
FIG. 2 is a front side elevational view thereof;
FIG. 3 is a back side elevational view thereof;
FIG. 4 is a top side plan view thereof; and
FIG. 5 is a bottom side view thereof.

1 Claim, 3 Drawing Sheets

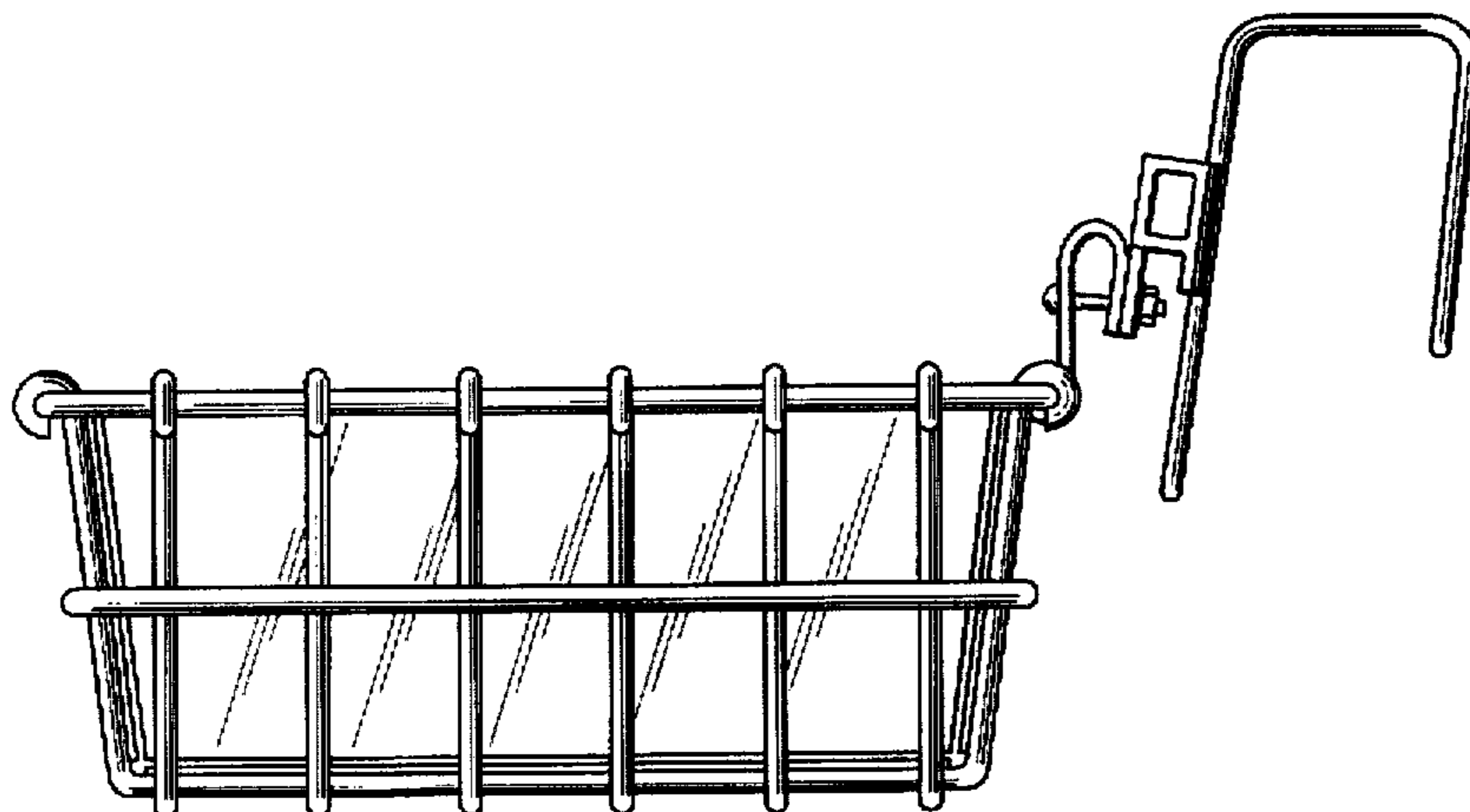


FIG. 1

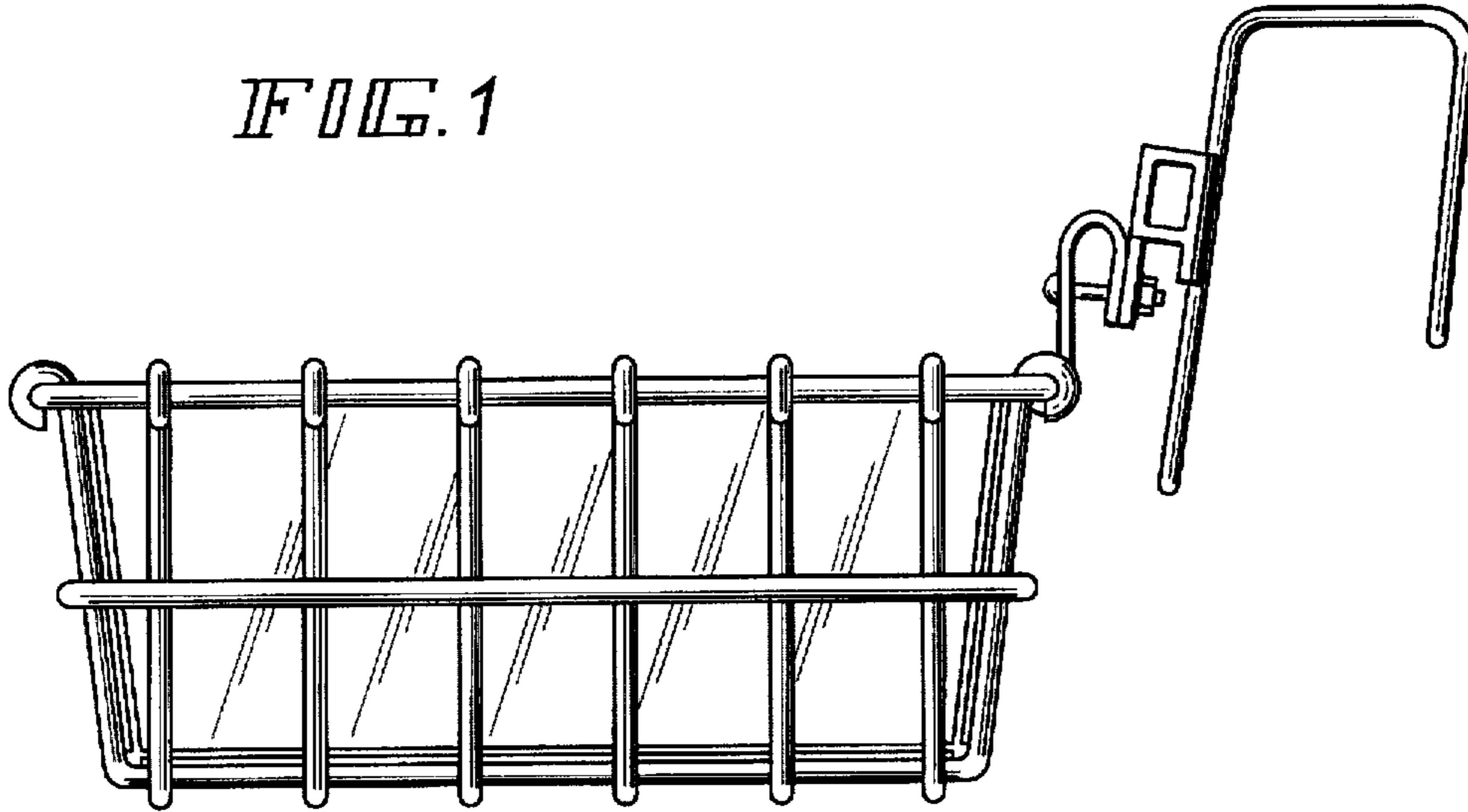


FIG. 2

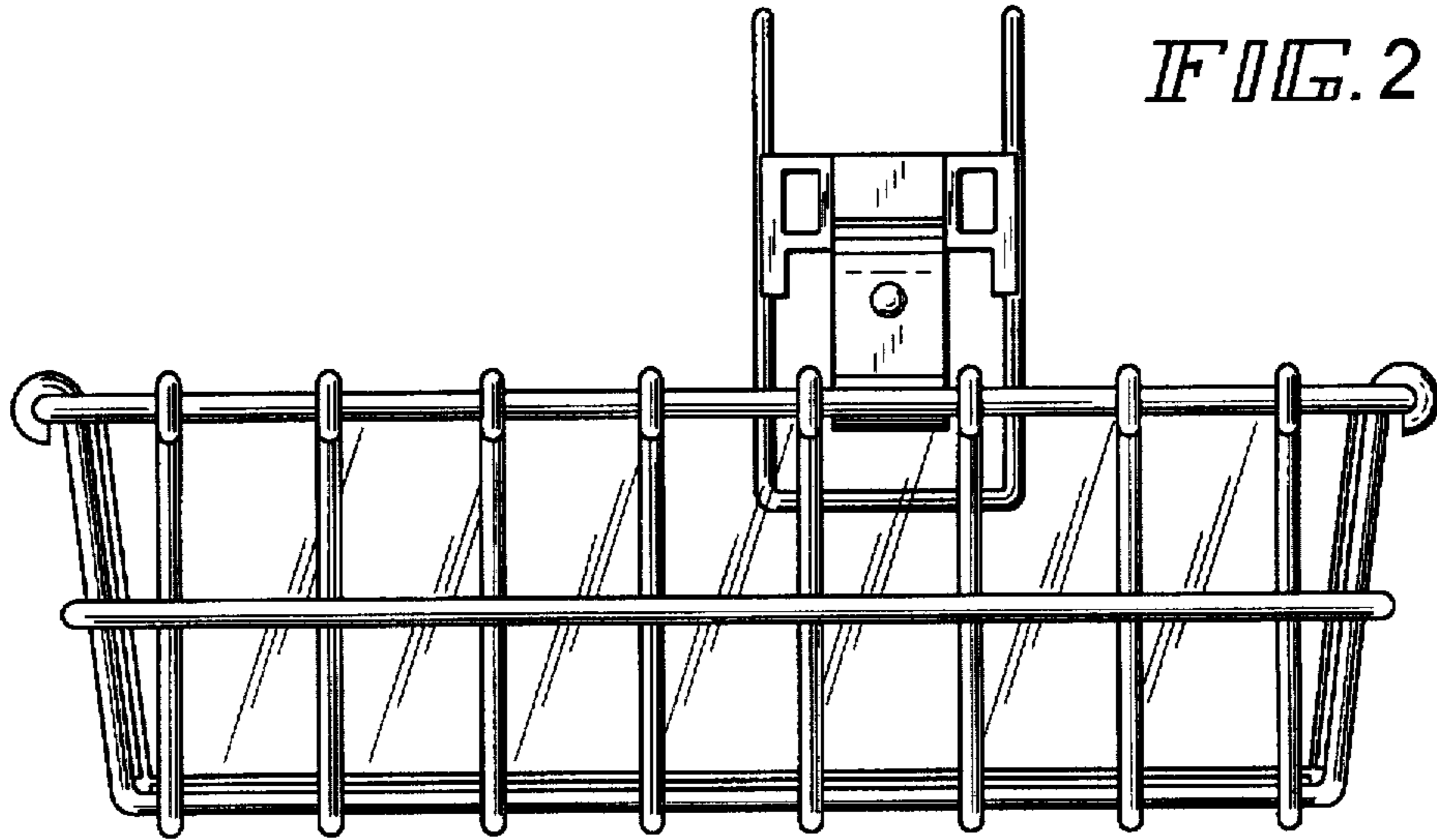


FIG. 3

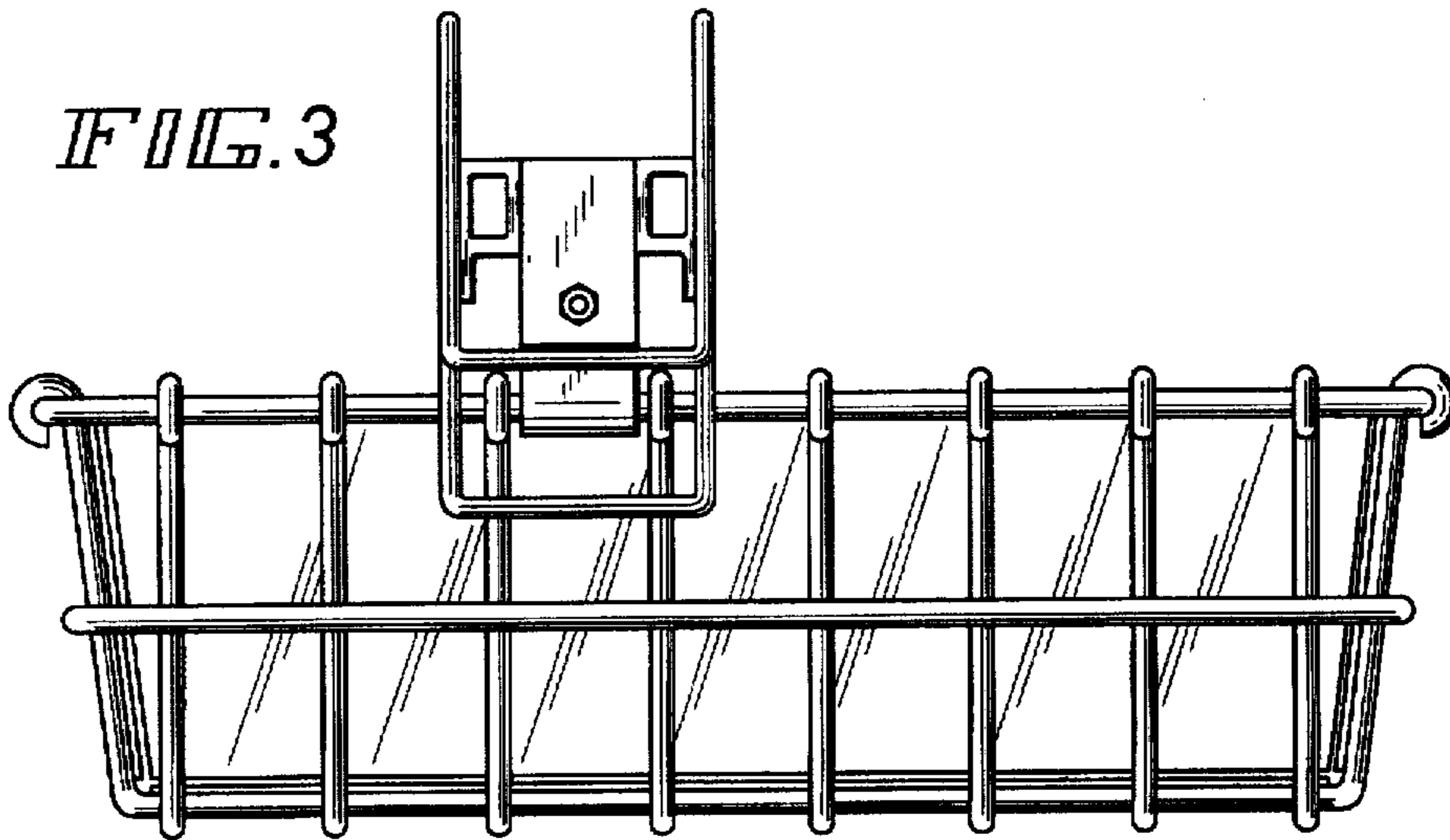


FIG. 4

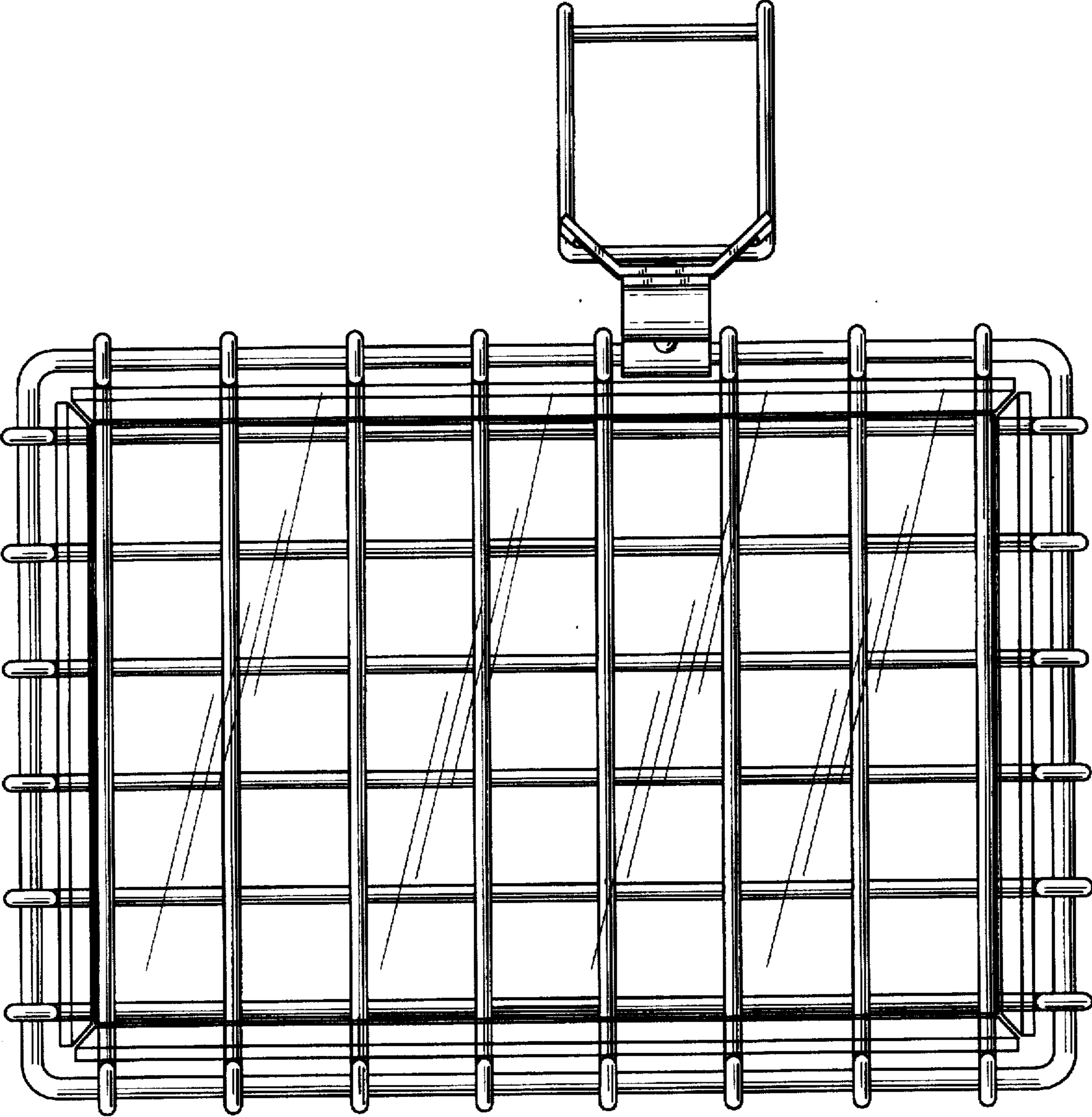


FIG. 5

