



US00D394729S

United States Patent [19]

Lee

[11] Patent Number: Des. 394,729

[45] Date of Patent: **May 26, 1998

[54] TORCHIERE HEAD FOR FLOOR LAMP

[76] Inventor: Hsuan-Yu Lee, 5F-7, No. 63, Sec. 2, Chang-An E. Rd., Taipei, Taiwan

[**] Term: 14 Years

[21] Appl. No.: 66,990

[22] Filed: Mar. 5, 1997

[51] LOC (6) Cl. 26-05

[52] U.S. Cl. D26/118; D26/110; D26/135

[58] Field of Search D26/93, 102-112, 216, 217, 218, 219, 220, 221, 222, 223, 224, 225, 226, 227, 228, 229, 230, 231, 232, 233, 234, 235, 236, 237, 238, 239, 240, 241, 242, 243, 244, 245, 246, 247, 248, 249, 250, 251, 252, 253, 254, 255, 256, 257, 258, 259, 260, 261, 262, 263, 264, 265, 266, 267, 268, 269, 270, 271, 272, 273, 274, 275, 276, 277, 278, 279, 280, 281, 282, 283, 284, 285, 286, 287, 288, 289, 290, 291, 292, 293, 294, 295, 296, 297, 298, 299, 300, 301, 302, 303, 304, 305, 306, 307, 308, 309, 310, 311, 312, 313, 314, 315, 316, 317, 318, 319, 320, 321, 322, 323, 324, 325, 326, 327, 328, 329, 330, 331, 332, 333, 334, 335, 336, 337, 338, 339, 340, 341, 342, 343, 344, 345, 346, 347, 348, 349, 350, 351, 352, 353, 354, 355, 356, 357, 358, 359, 360, 361, 362, 363, 364, 365, 366, 367, 368, 369, 370, 371, 372, 373, 374, 375, 376, 377, 378

[56] References Cited

FOREIGN PATENT DOCUMENTS

658818 3/1963 Canada 362/376

OTHER PUBLICATIONS

Service Merchandise Catalog, p. 327, torchiere head, floor lamp #15, Feb. 1996.

Primary Examiner—Susan J. Lucas

[57] CLAIM

The ornamental design for a torchiere head for floor lamp, as shown and described.

DESCRIPTION

FIG. 1 is an perspective view of torchiere head for floor lamp, showing my new design; the broken lines are for environmental purposes only and form no part of the claimed design;

FIG. 2 is a front elevational view;

FIG. 3 is a rear elevational view;

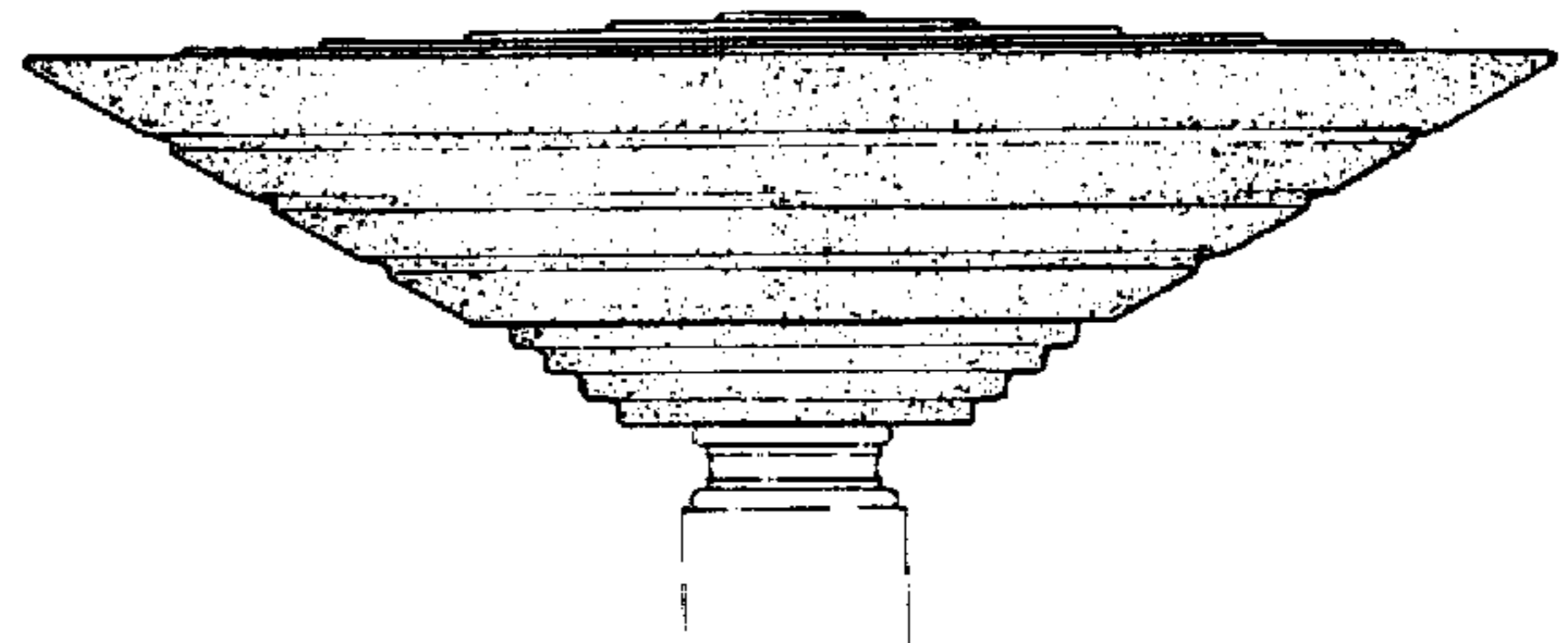
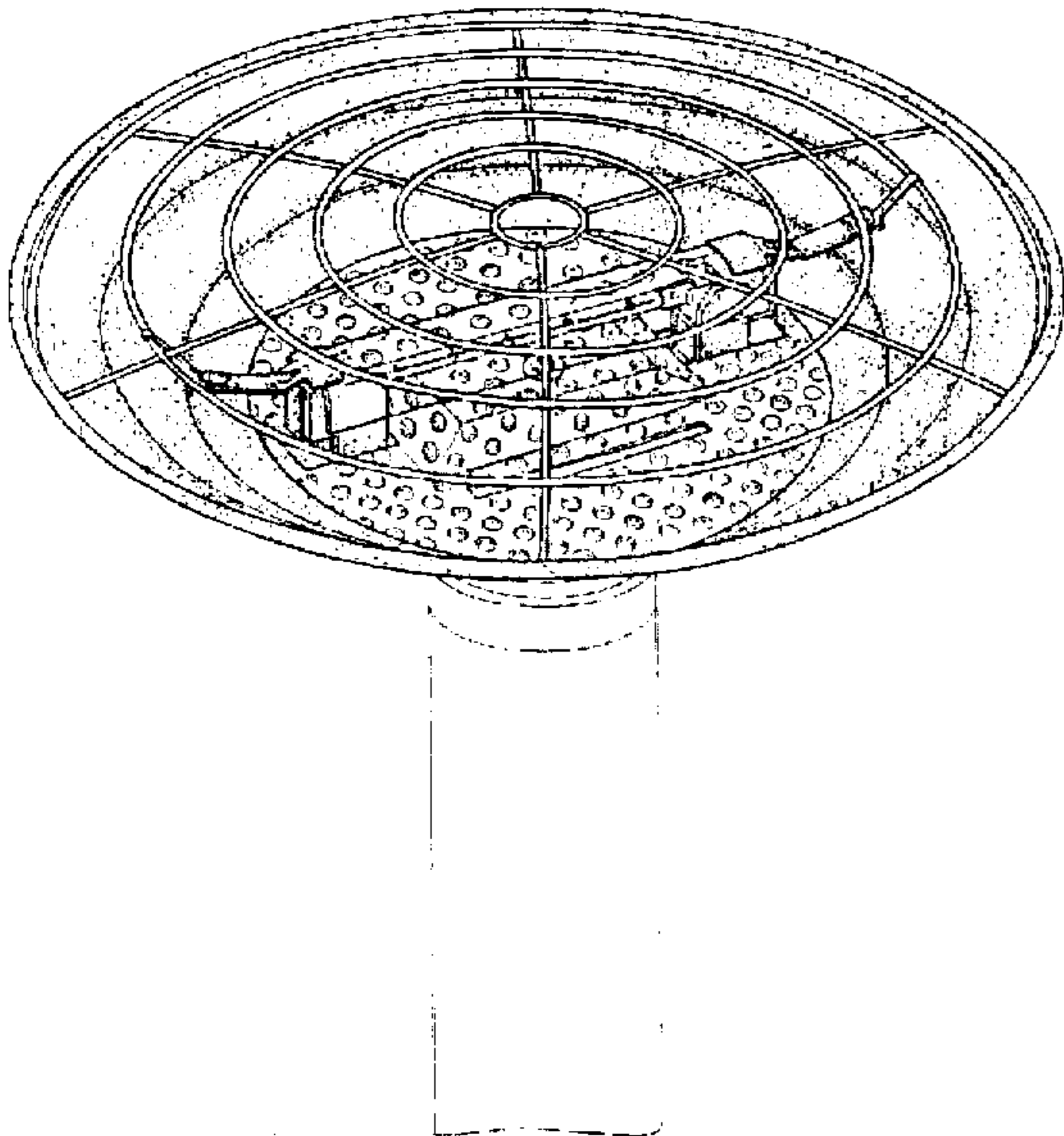
FIG. 4 is a left side elevational view;

FIG. 5 is a right side elevational view;

FIG. 6 is a top plan view; and,

FIG. 7 is a bottom plan view.

1 Claim, 4 Drawing Sheets



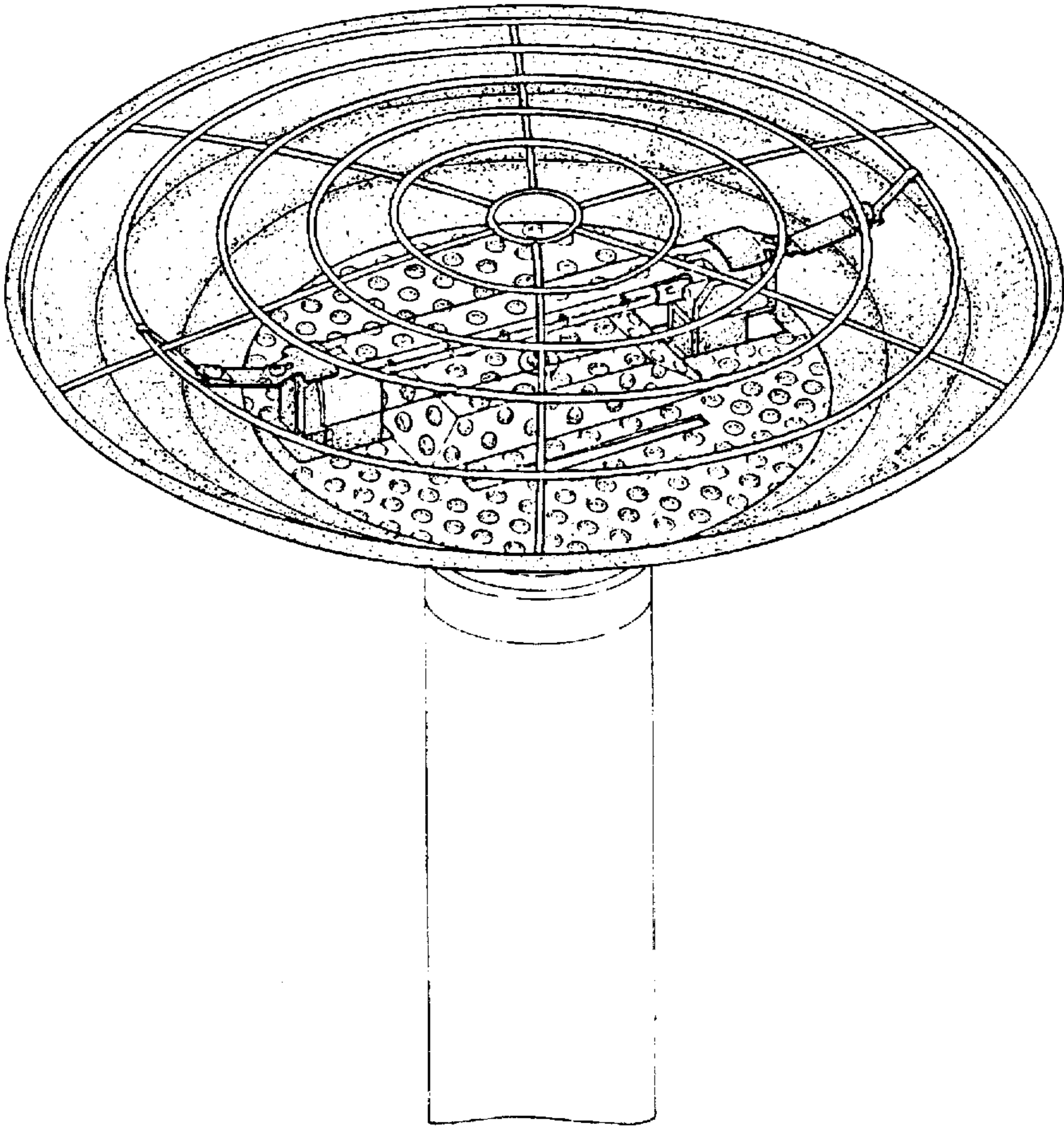


FIG. 1

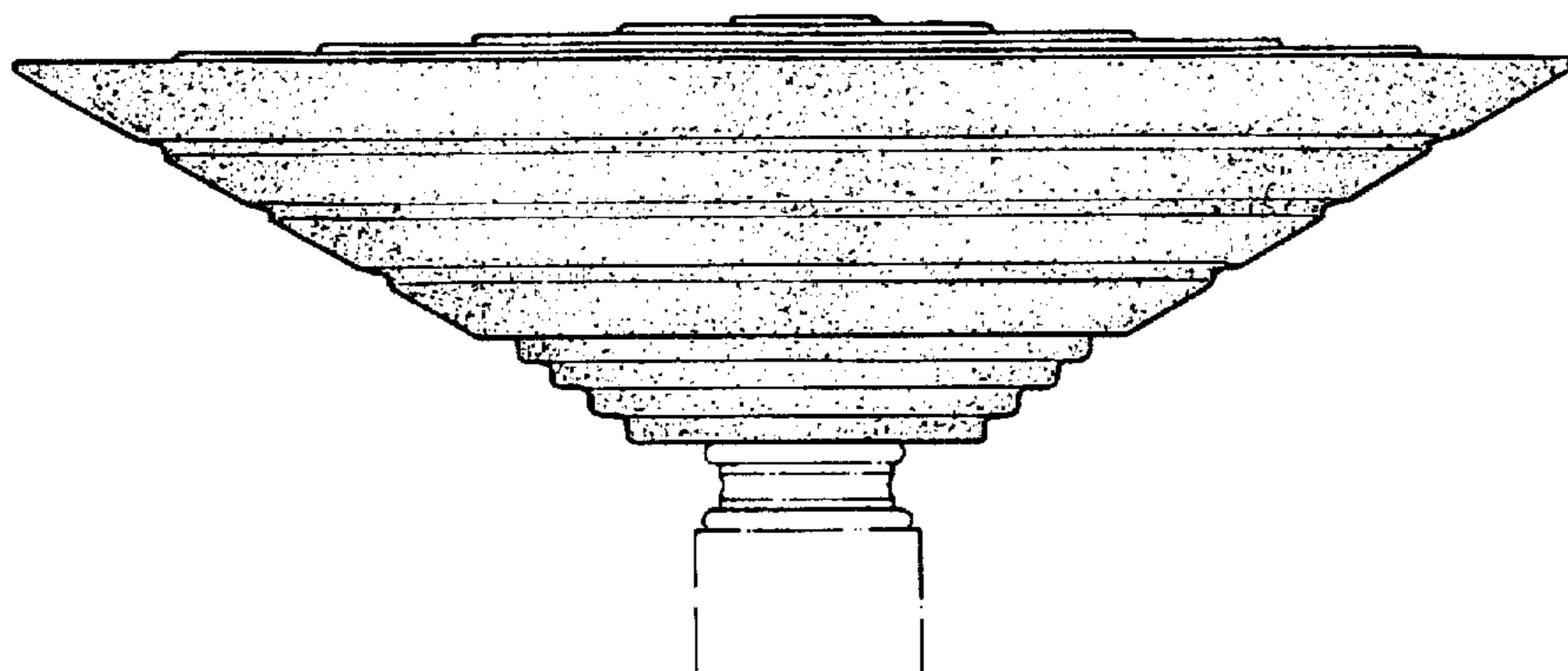


FIG. 2

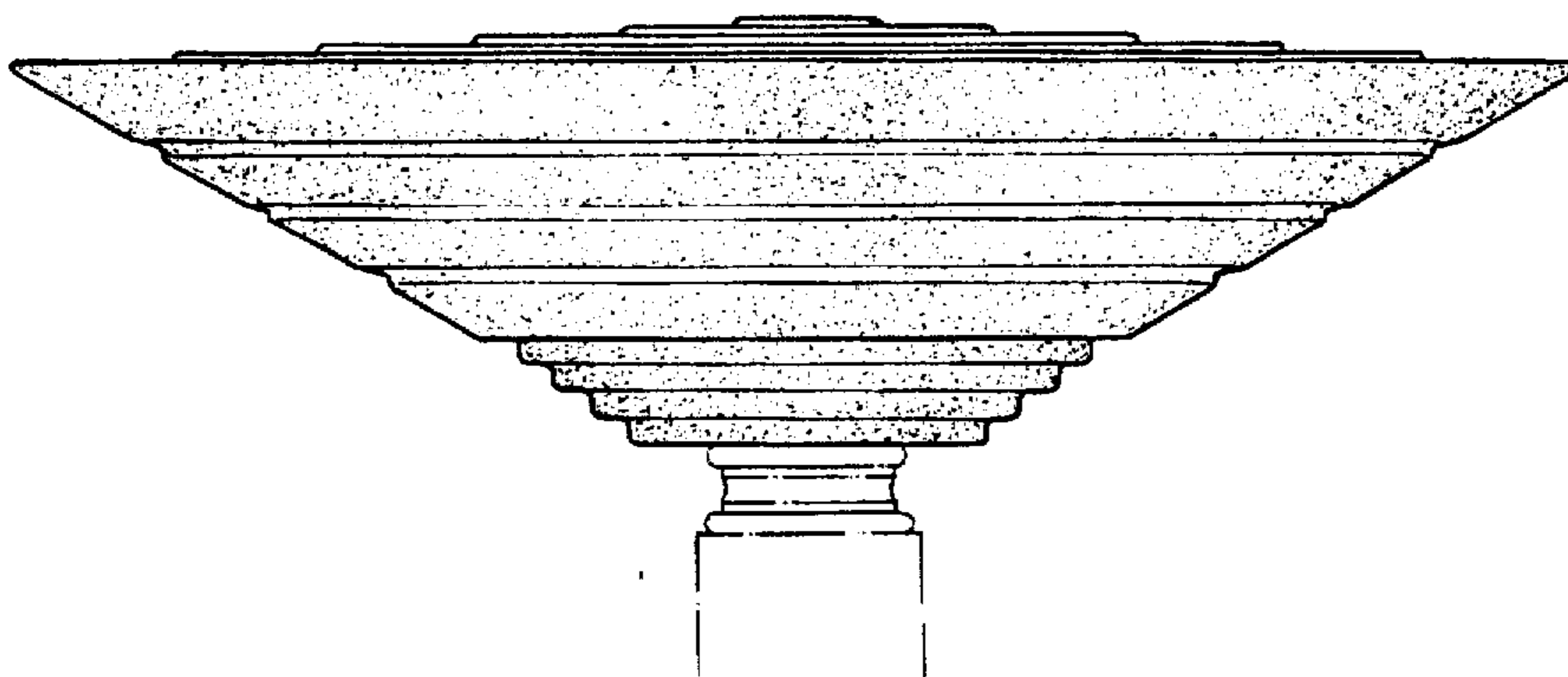


FIG. 3

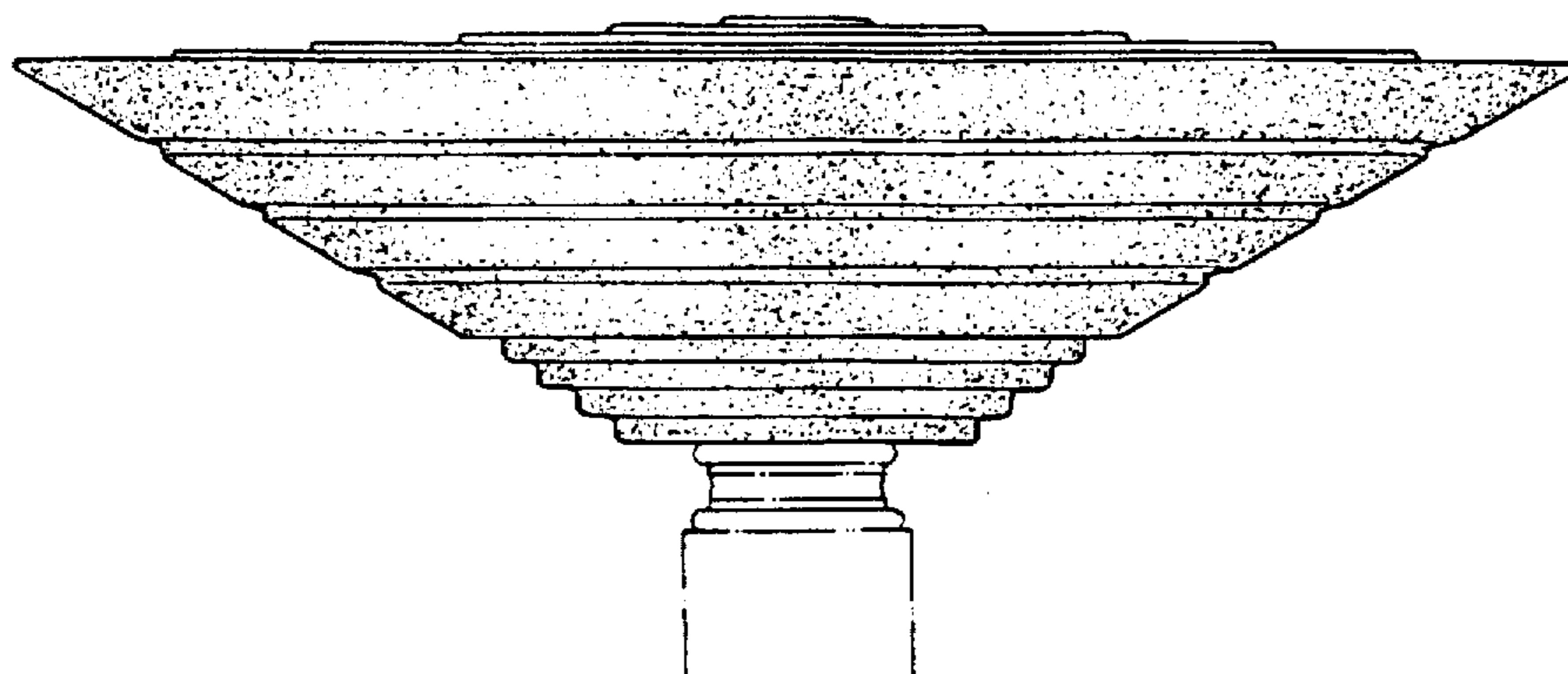


FIG. 4

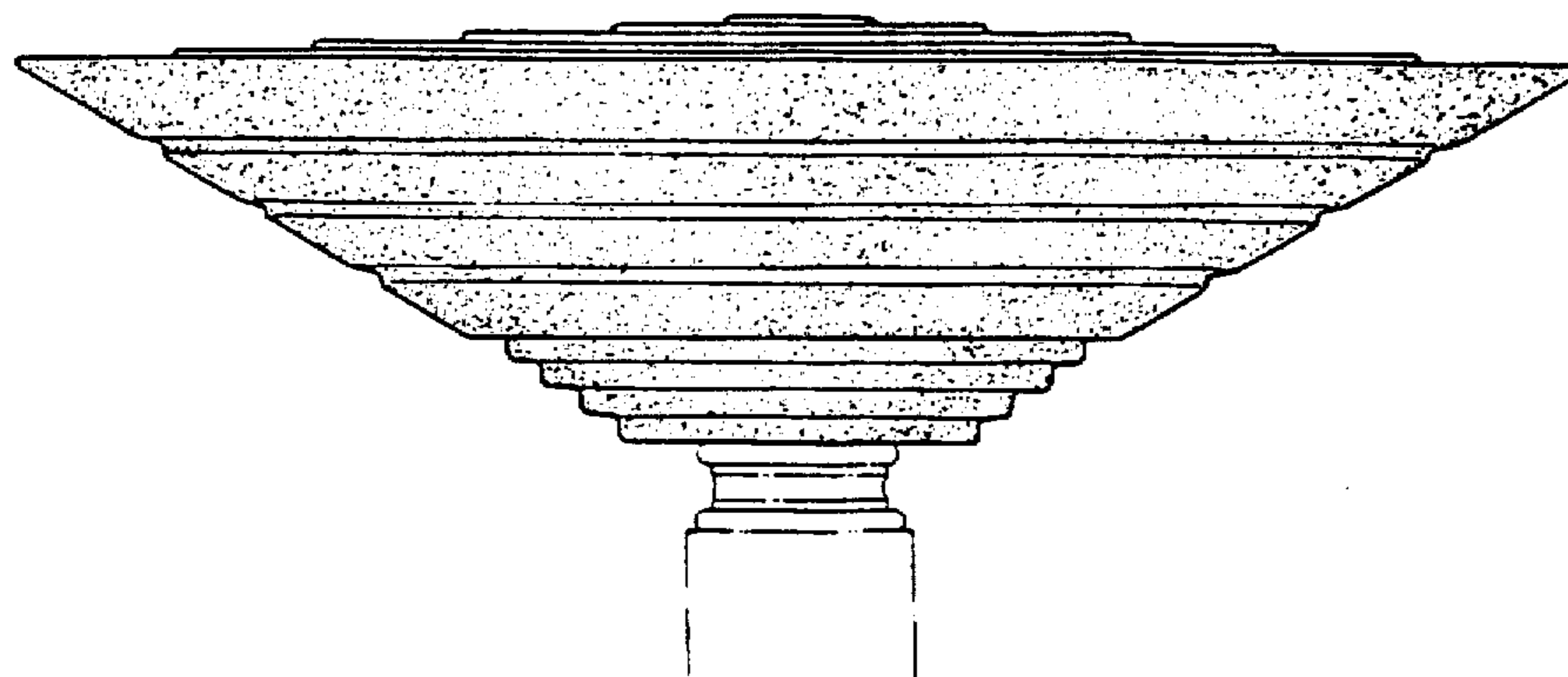


FIG. 5

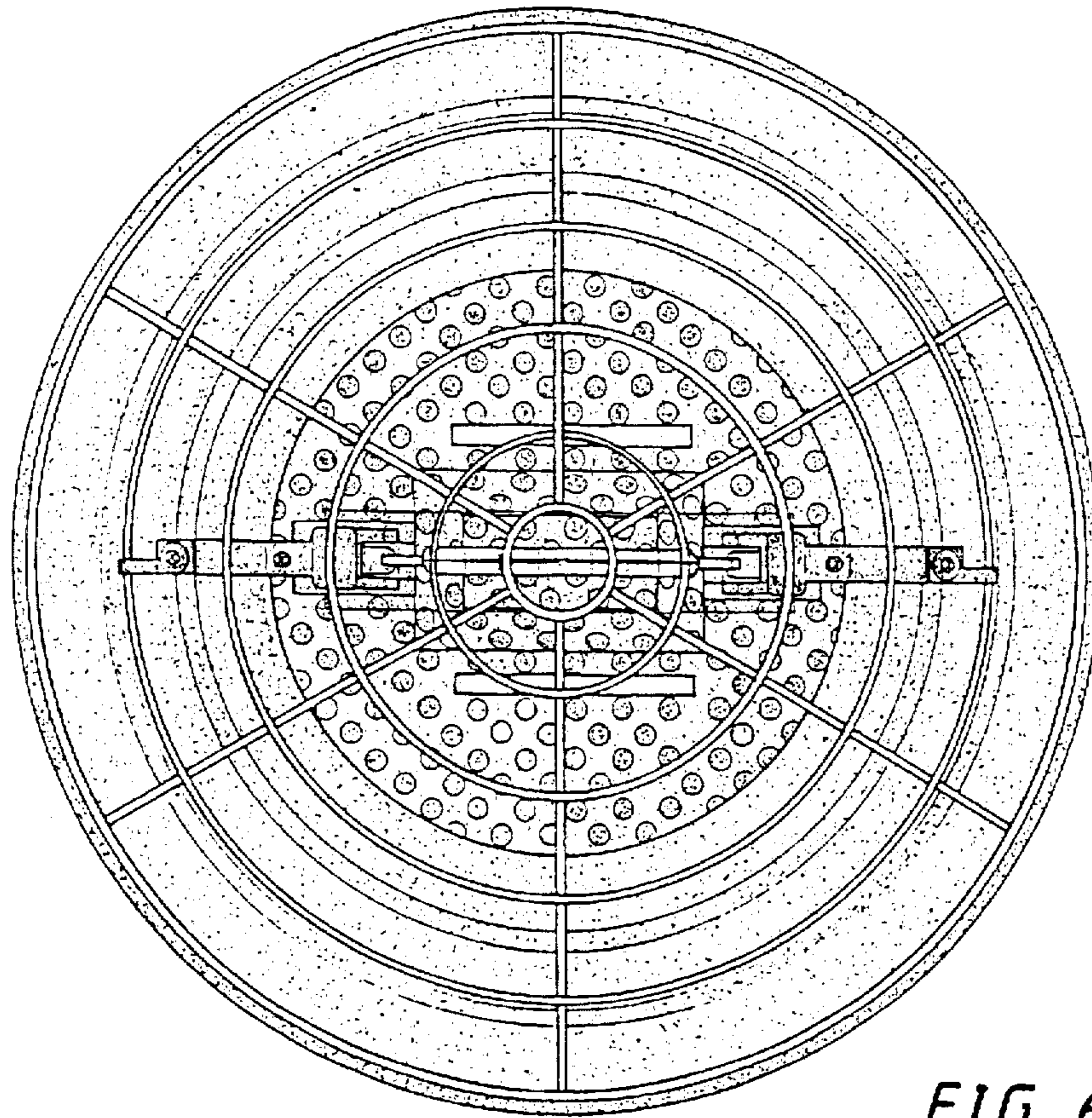


FIG. 6

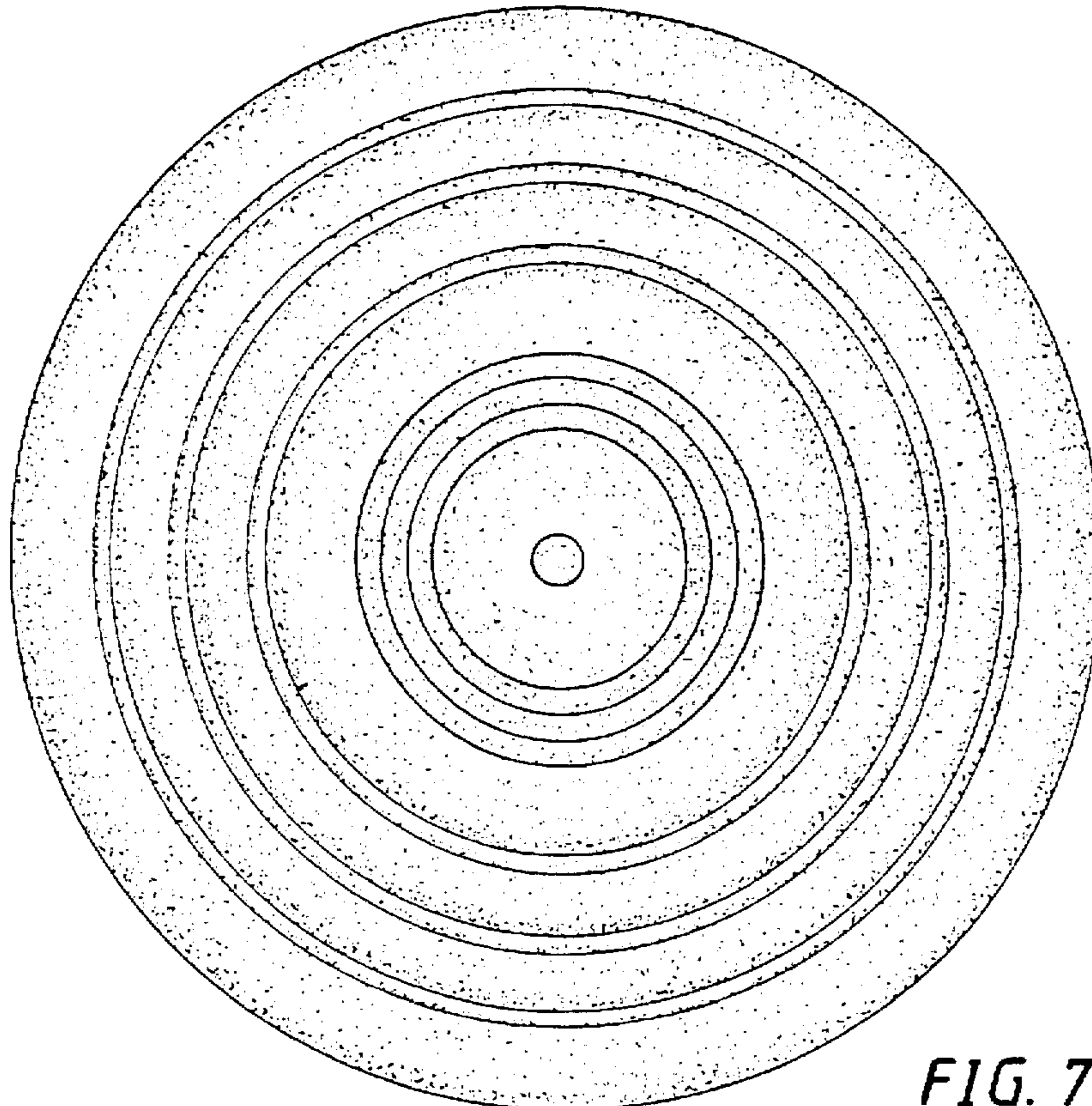


FIG. 7