



US00D394728S

United States Patent [19]
Alexander

[11] **Patent Number:** **Des. 394,728**
[45] **Date of Patent:** ****May 26, 1998**

[54] **CURVED LAMP SHADE WITH STICKS**

[76] **Inventor:** **Elizabeth C. Alexander**, 2111 NE,
52nd St., Seattle, Wash. 98105

[**] **Term:** **14 Years**

[21] **Appl. No.:** **51,500**

[22] **Filed:** **Mar. 12, 1996**

[51] **LOC (6) Cl.** **26-05**

[52] **U.S. Cl.** **D26/118; D26/109**

[58] **Field of Search** **D26/92, 102-112,**
D26/118, 128, 129, 130, 131, 132, 134,
136; 362/410-414, 351, 352, 353, 355,
341, 342, 345, 347, 348, 350; 40/586, 606,
610; D20/41

[56] **References Cited**

U.S. PATENT DOCUMENTS

- D. 126,402 4/1941 May D26/109
- D. 166,177 3/1952 De Sherbinin D26/108

- 2,293,672 8/1942 Bookman, Jr. 362/355
- 2,700,100 1/1955 Wissinger 362/347 X
- 2,765,399 10/1956 Drosakis 362/347 X
- 3,116,027 12/1963 Kleppin 362/410

Primary Examiner—Susan J. Lucas

[57] **CLAIM**

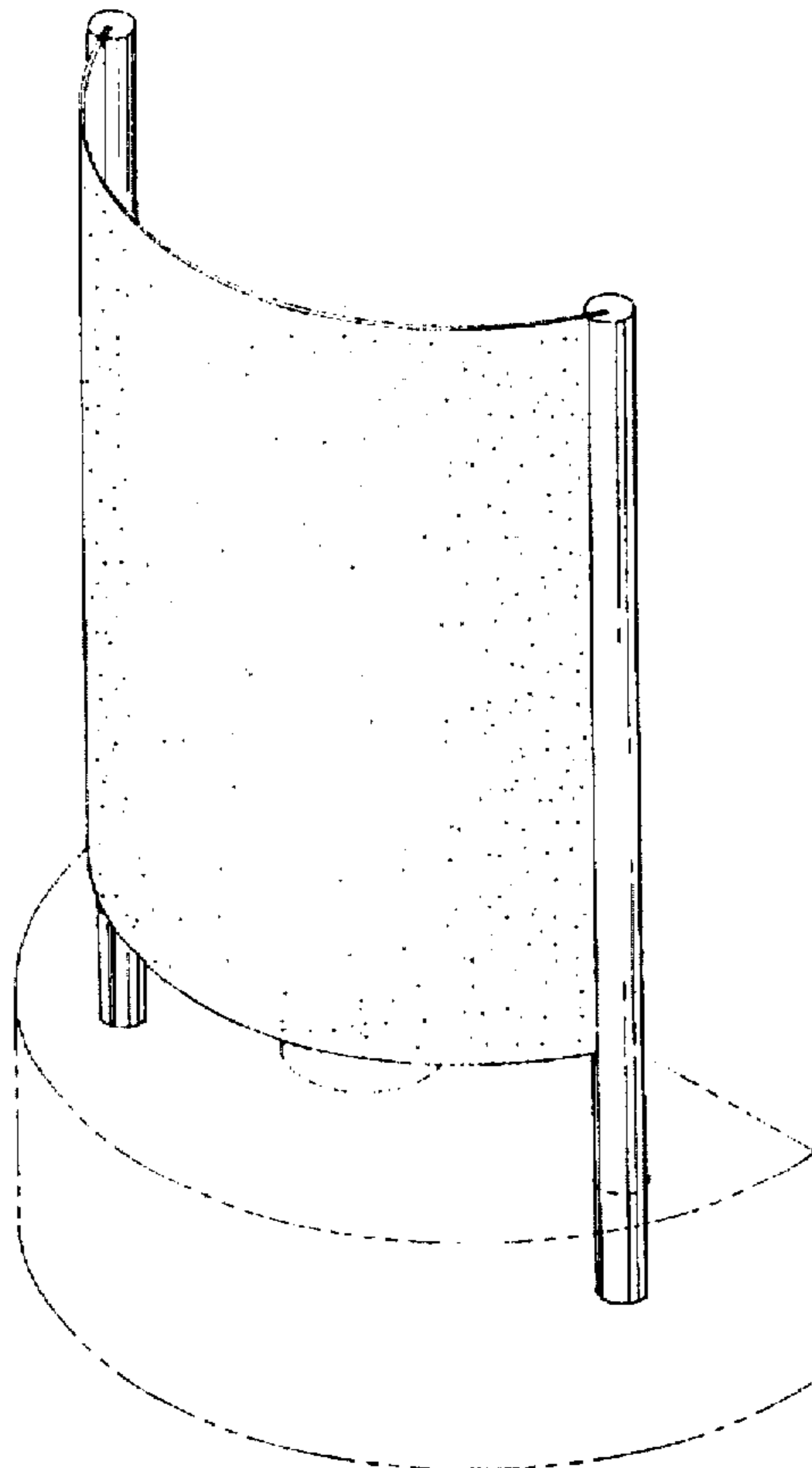
An ornamental design for a curved lamp shade with sticks,
as shown and described.

DESCRIPTION

FIG. 1 is a perspective view showing my curved lamp shade
with sticks;
FIG. 2 is a left side view thereof;
FIG. 3 is a right side view thereof;
FIG. 4 is a front view thereof;
FIG. 5 is a back view thereof;
FIG. 6 is a top view thereof; and,
FIG. 7 is a bottom view thereof.

The broken lines are shown for illustrative purposes only
and form no part of the claimed design.

1 Claim, 2 Drawing Sheets



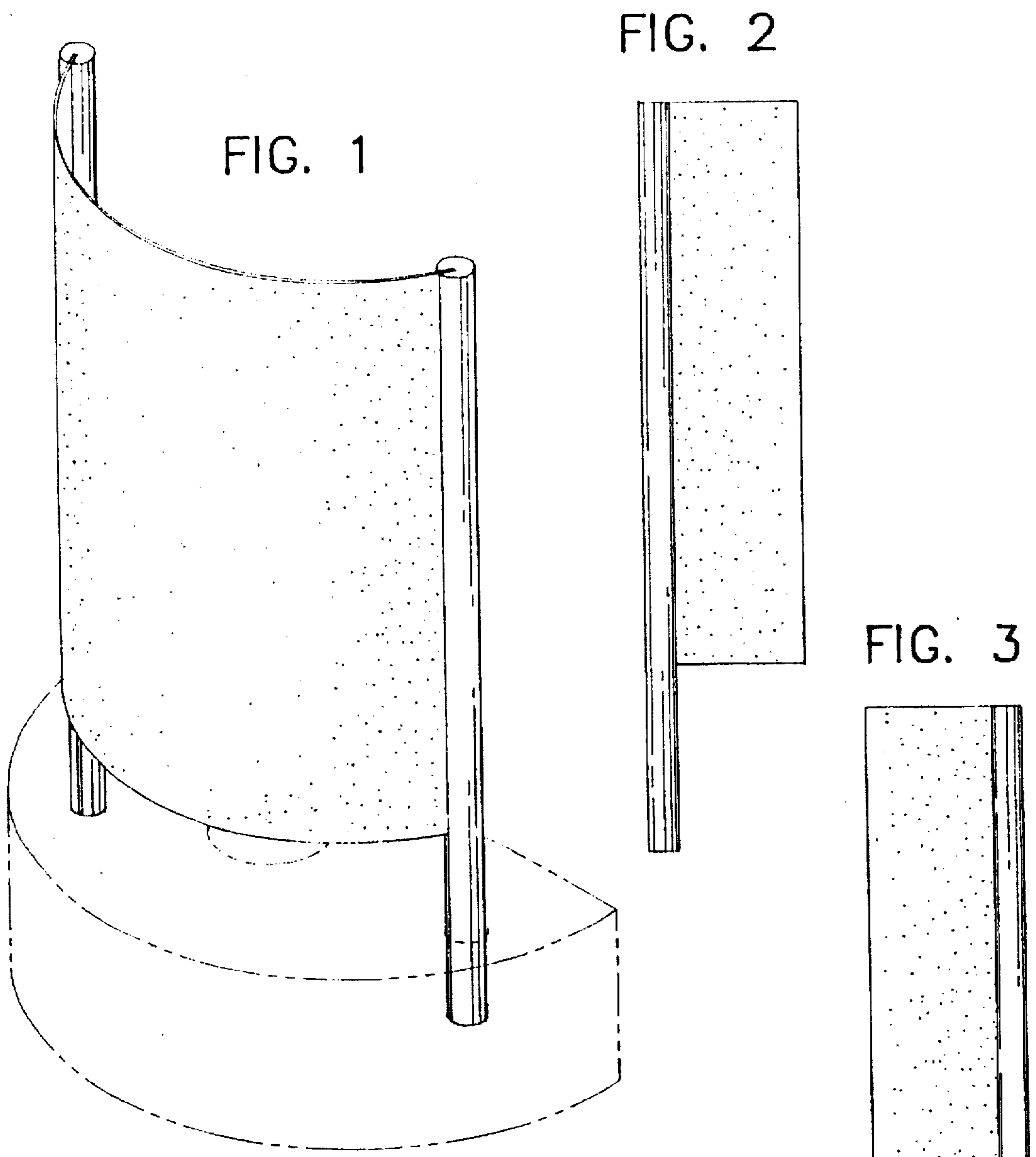


FIG. 6



FIG. 7

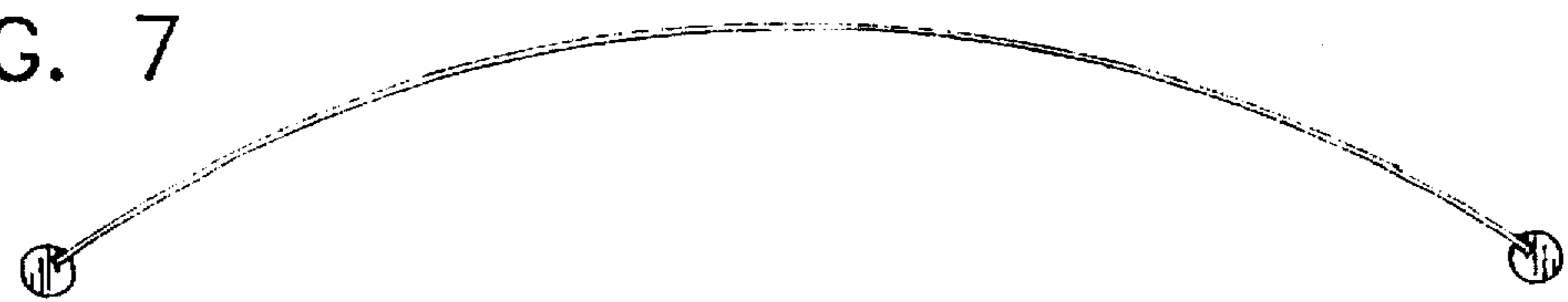


FIG. 4

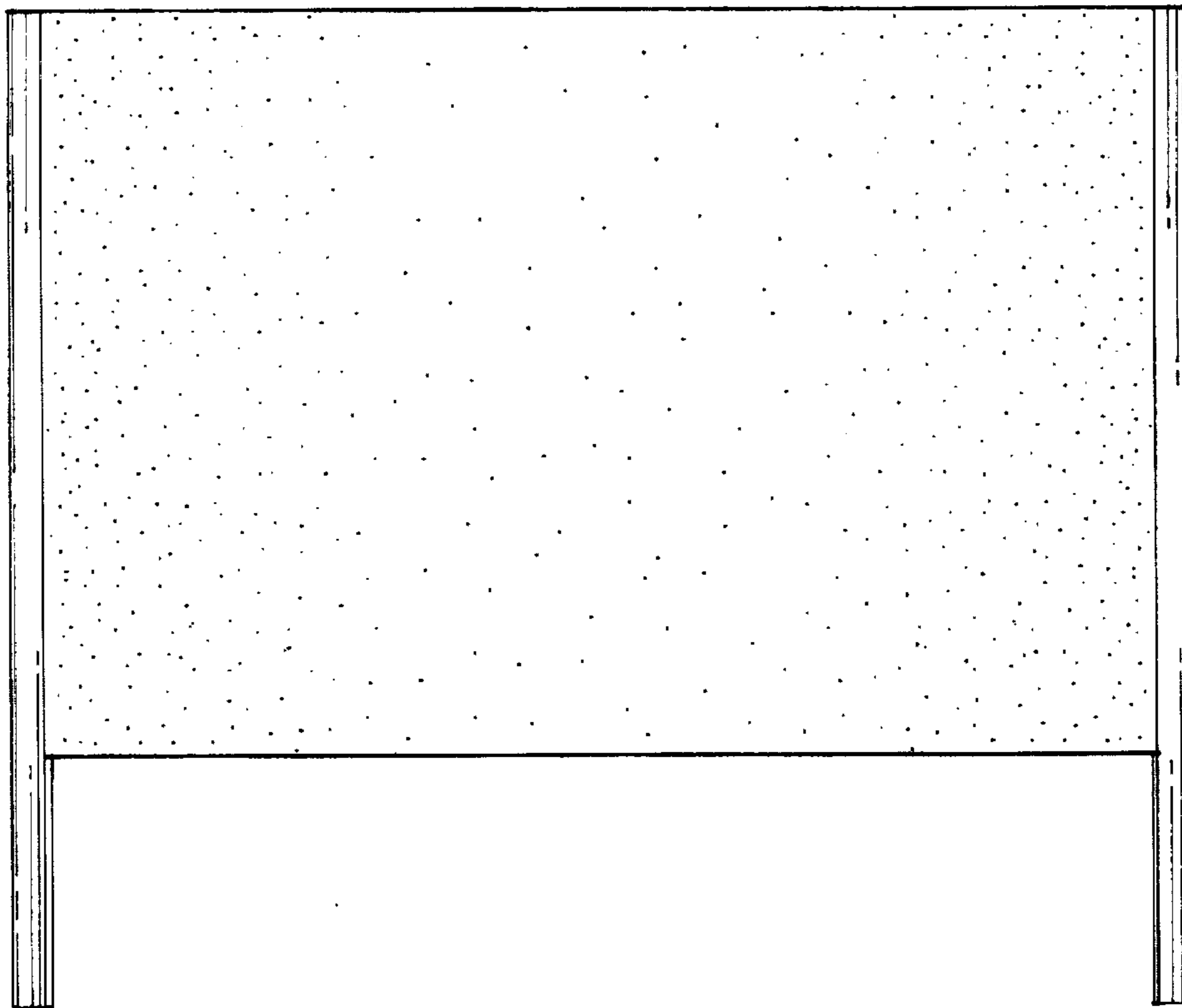


FIG. 5

