



US00D394727S

United States Patent [19]
Larkin

[11] **Patent Number:** **Des. 394,727**
[45] **Date of Patent:** ****May 26, 1998**

- [54] **DESK LAMP WITH DETACHABLE LAMP HEAD**
- [76] **Inventor:** Edward F. Larkin, R.R. 2 Box 7290, Winthrop, Me. 04364
- [**] **Term:** 14 Years
- [21] **Appl. No.:** 64,414
- [22] **Filed:** Dec. 31, 1996
- [51] **LOC (6) Cl.** 26-05
- [52] **U.S. Cl.** D26/109; D26/107
- [58] **Field of Search** D26/63, 65, 60, D26/61, 93, 102-112; 362/410-414, 33

[56] **References Cited**

U.S. PATENT DOCUMENTS

D. 164,668	10/1951	Carrithers	D26/109 X
D. 209,079	10/1967	Andre	D26/109 X
D. 223,504	4/1972	Ishikawa	D26/109
D. 321,951	11/1991	Dieperink	D26/107
3,617,730	11/1971	Mihailoff	.	
5,034,865	7/1991	Sonneman	.	
5,122,937	6/1992	Stroudmire	.	
5,122,941	6/1992	Gross et al.	.	
5,172,974	12/1992	Riban	.	
5,183,325	2/1993	Hurdle	.	
5,533,702	7/1996	Koch	.	

OTHER PUBLICATIONS

Garden City Plating & MFG. Co. catalog #39, p. 11, desk lamp #8093, 1939.

Primary Examiner—Susan J. Lucas
Attorney, Agent, or Firm—Stan Jones

[57] **CLAIM**

The ornamental design for a desk lamp with detachable lamp head, as shown and described.

DESCRIPTION

FIG. 1 is a front perspective view of my new desk lamp with detachable lamp head with the head seated in the base, and the computer keyboard shown in phantom lines as the environment for the invention and forming no part thereof;

FIG. 2 is a side view of the lamp detachable head the opposite side of the lamp head being a mirror image, and the base being detached for purpose of disclosure;

FIG. 3 is a rear view of the lamp head of FIG. 2;

FIG. 4 is a top view of the lamp head of FIG. 2;

FIG. 5 is a front view of the lamp head of FIG. 2;

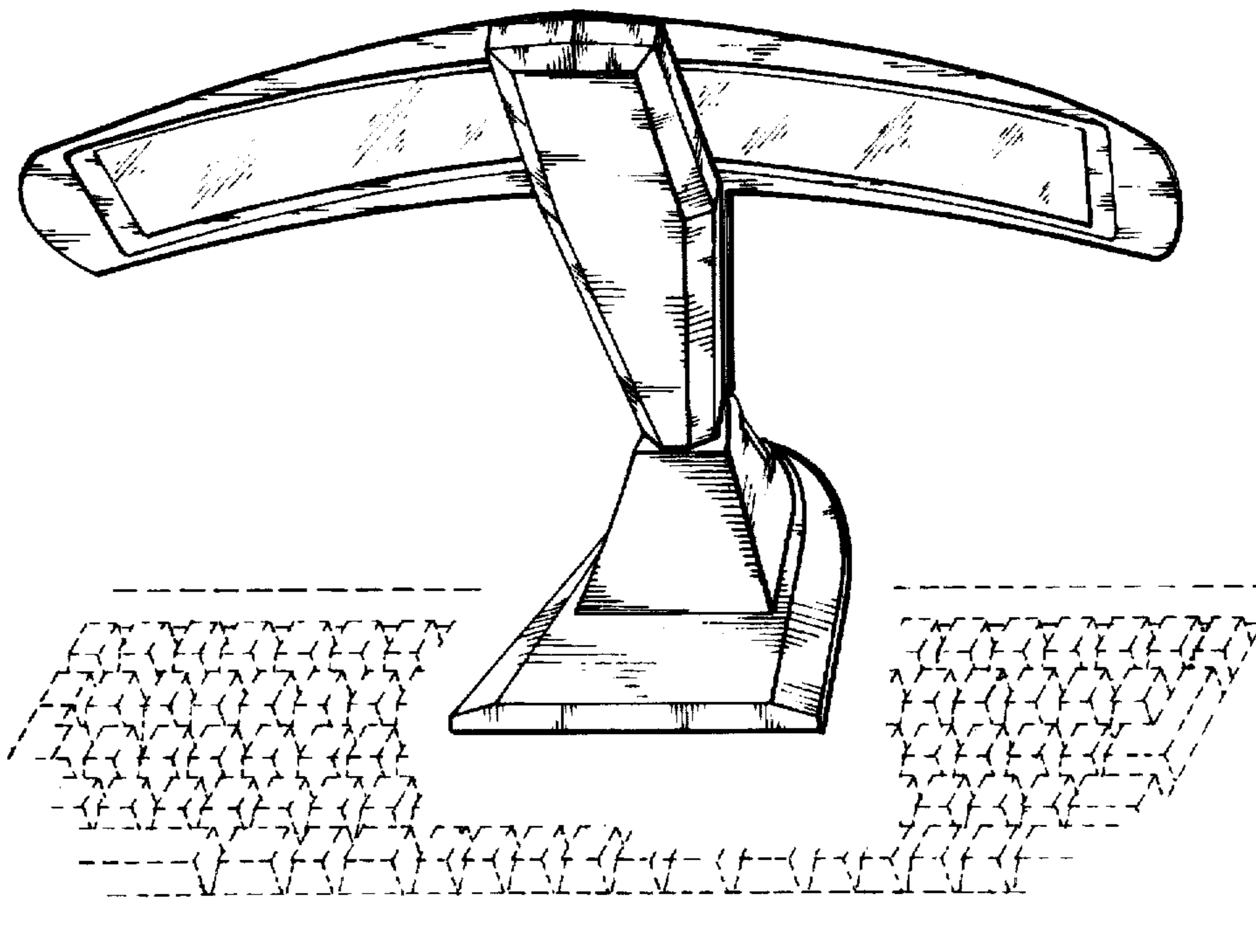
FIG. 6 is a bottom view of the lamp head of FIG. 2;

FIG. 7 is a fragmentary rear view of the desk lamp with detachable lamp head, the lamp head being fragmentarily shown for convenience of illustration;

FIG. 8 is a fragmentary side elevational view of the desk lamp with detachable lamp head, the lamp head being fragmentarily shown for convenience of illustration; and,

FIG. 9 is a bottom plan view of the base, the detachable lamp head being omitted for convenience of illustration.

1 Claim, 4 Drawing Sheets



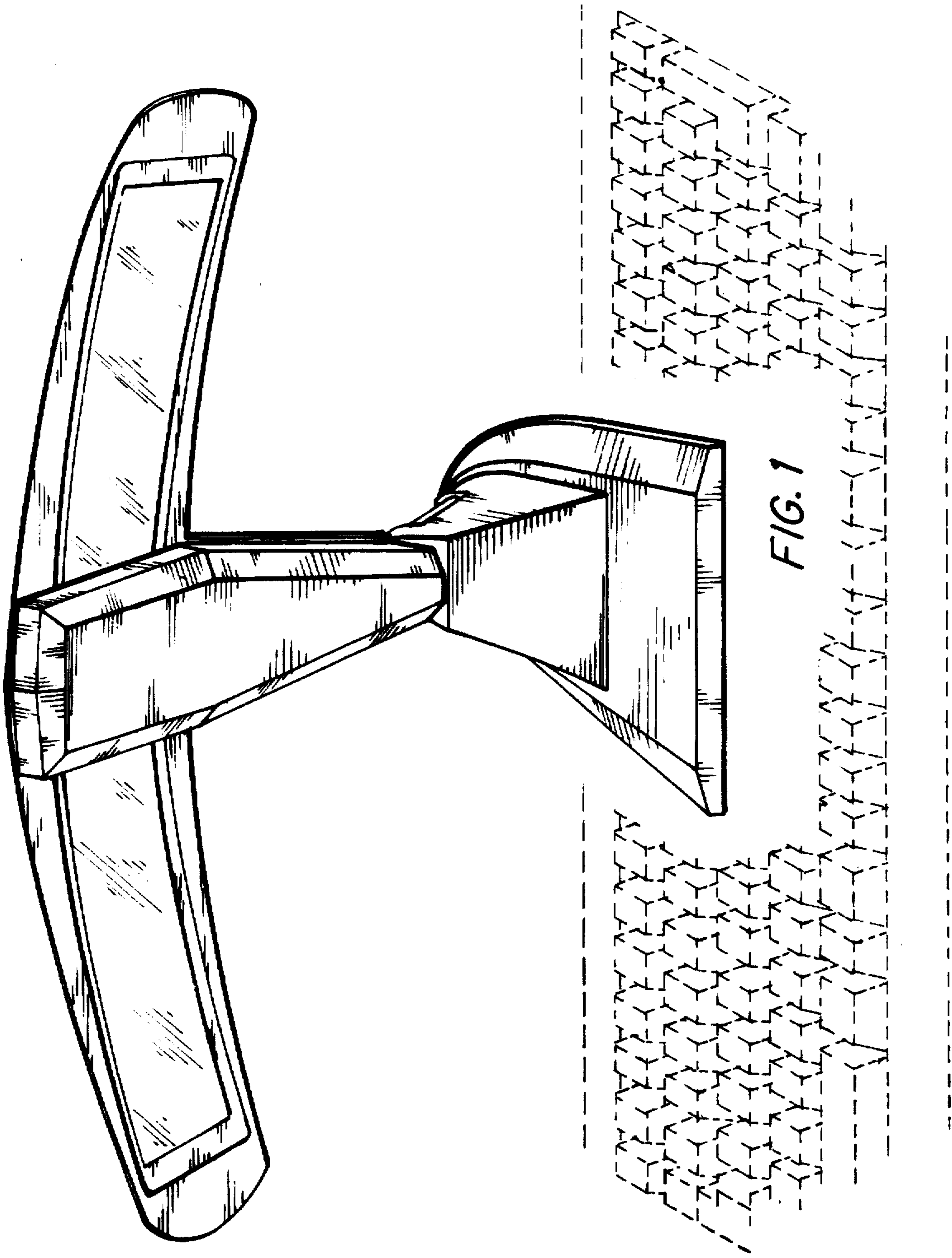


FIG. 1

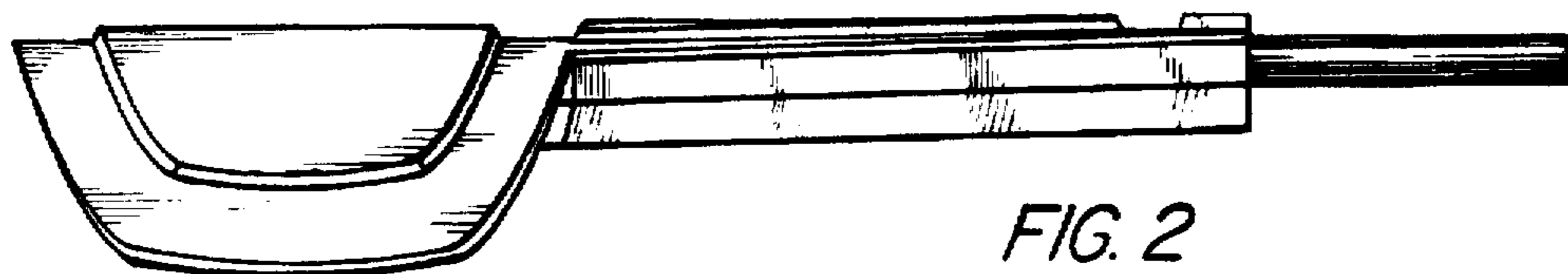


FIG. 2



FIG. 5

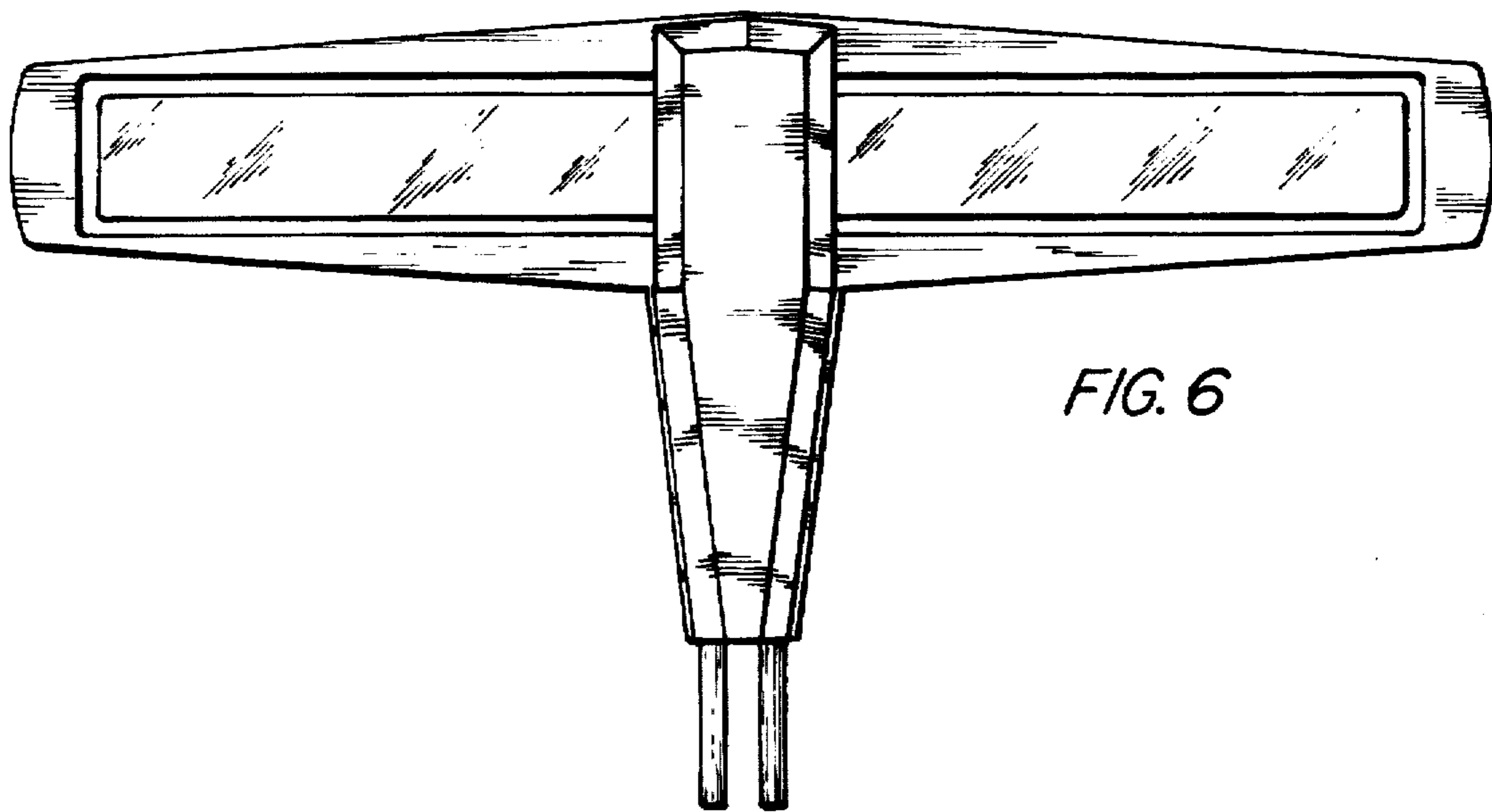


FIG. 6



FIG. 3

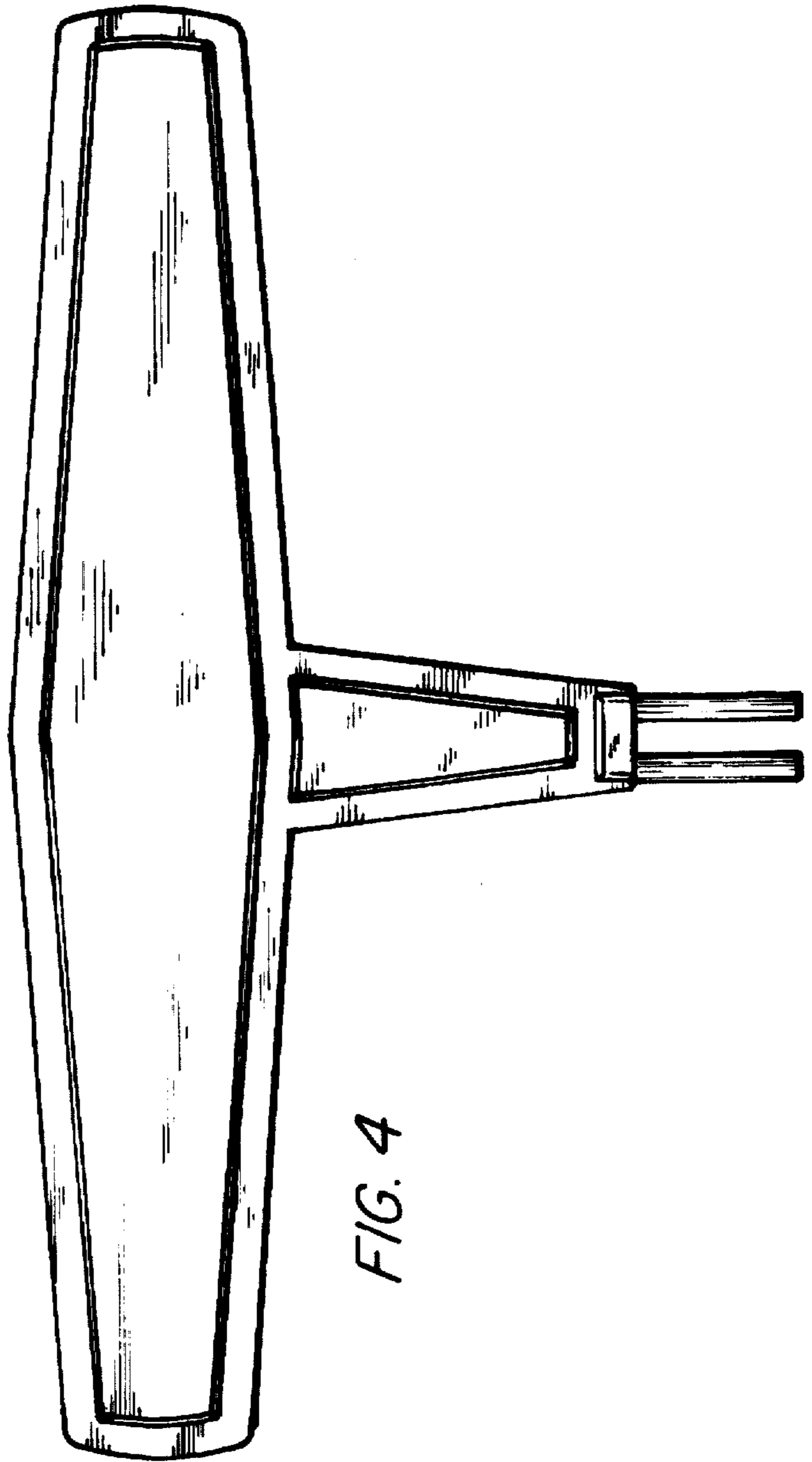


FIG. 4

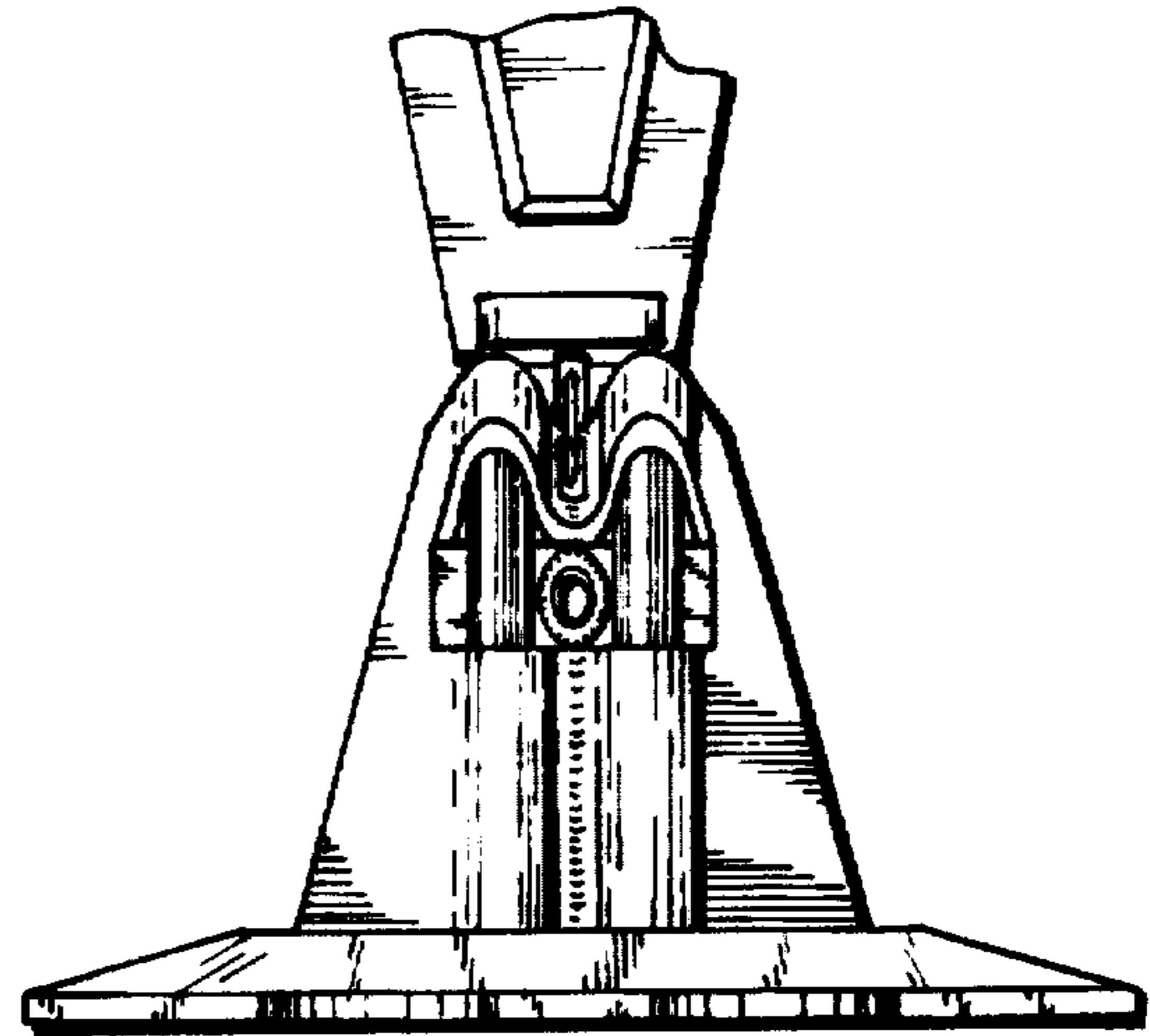


FIG. 7

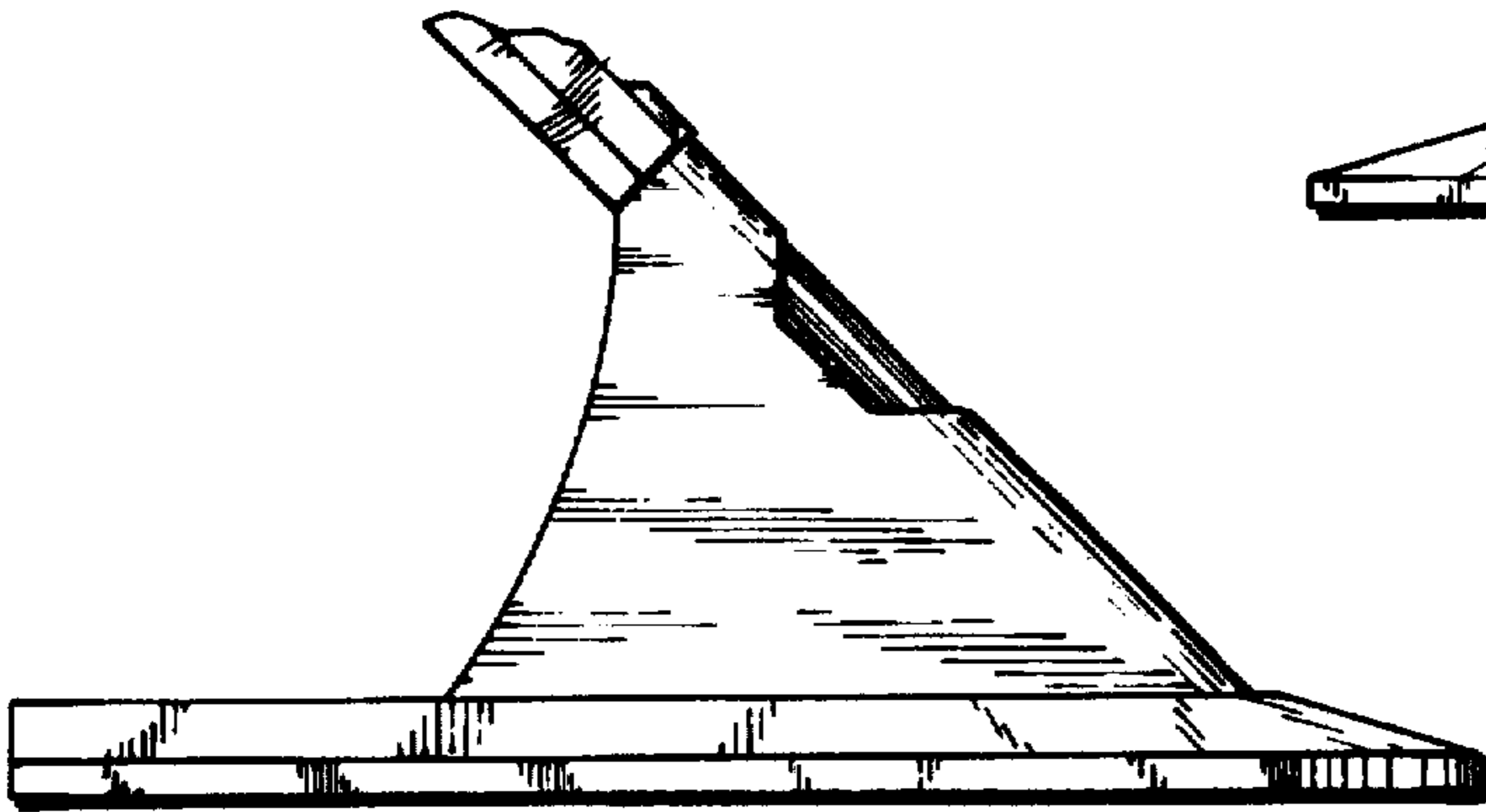


FIG. 8

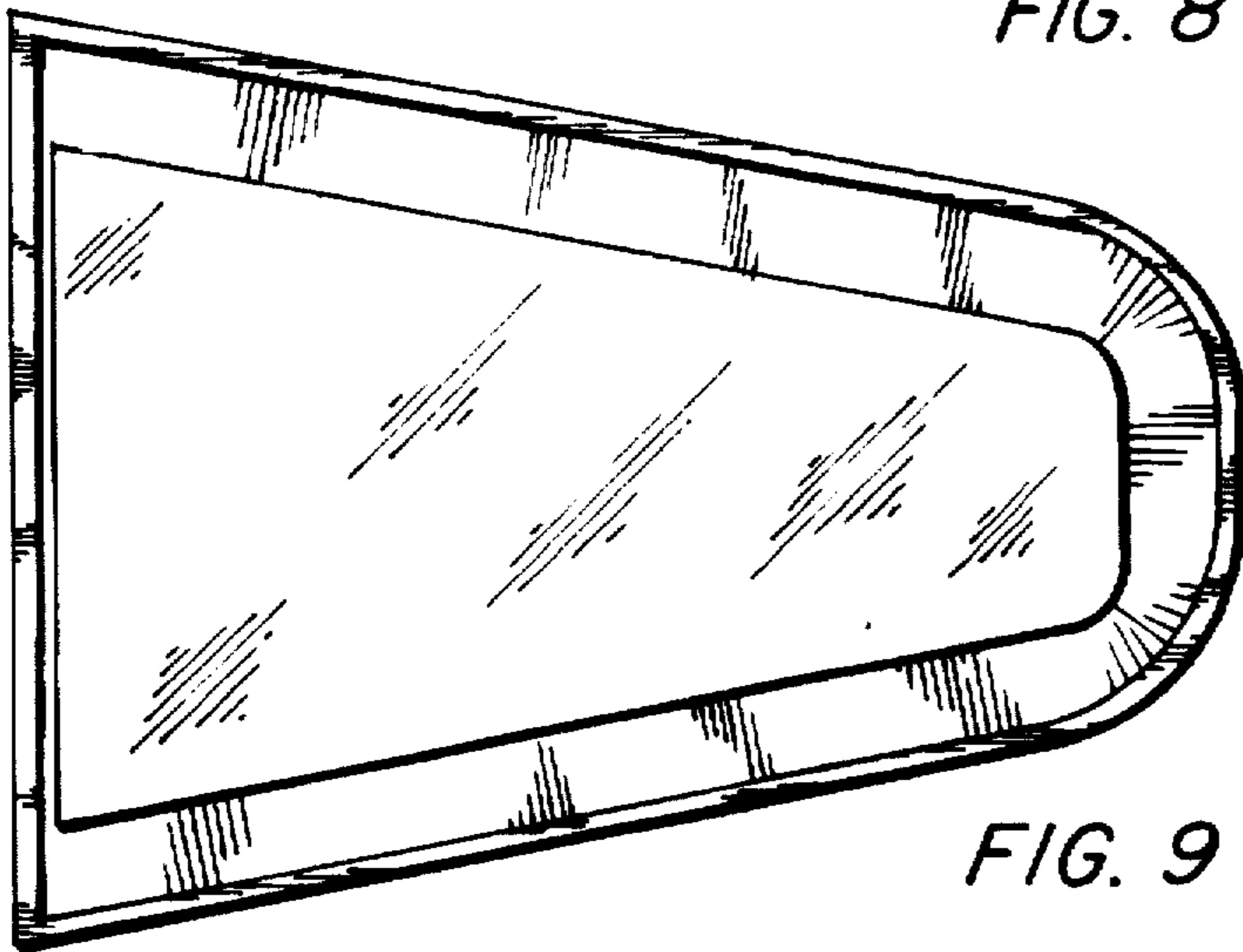


FIG. 9