



US00D394717S

United States Patent [19]

Daoust

[11] Patent Number: Des. 394,717

[45] Date of Patent: **May 26, 1998

[54] WINDOW FRAME MEMBER

D. 374,091 9/1996 Hart D25/124

[75] Inventor: Marcel Daoust, Orangeville, Canada

Primary Examiner—Doris Clark

[73] Assignee: Performance Fabrication Systems International, Inc., Woodbridge, Canada

[57] CLAIM

[**] Term: 14 Years

The ornamental design for a window frame member, as shown and described.

[21] Appl. No.: 71,022

DESCRIPTION

[22] Filed: Jan. 7, 1997

[51] LOC (6) Cl. 25-01

[52] U.S. Cl. D25/124

[58] Field of Search D25/124, 52, 60, D25/125; 49/DIG. 2, 504, 505; 52/204.1, 204.5, 585

FIG. 1 is a perspective view of the window frame member; and,

FIG. 2 is an end view of the window frame member.

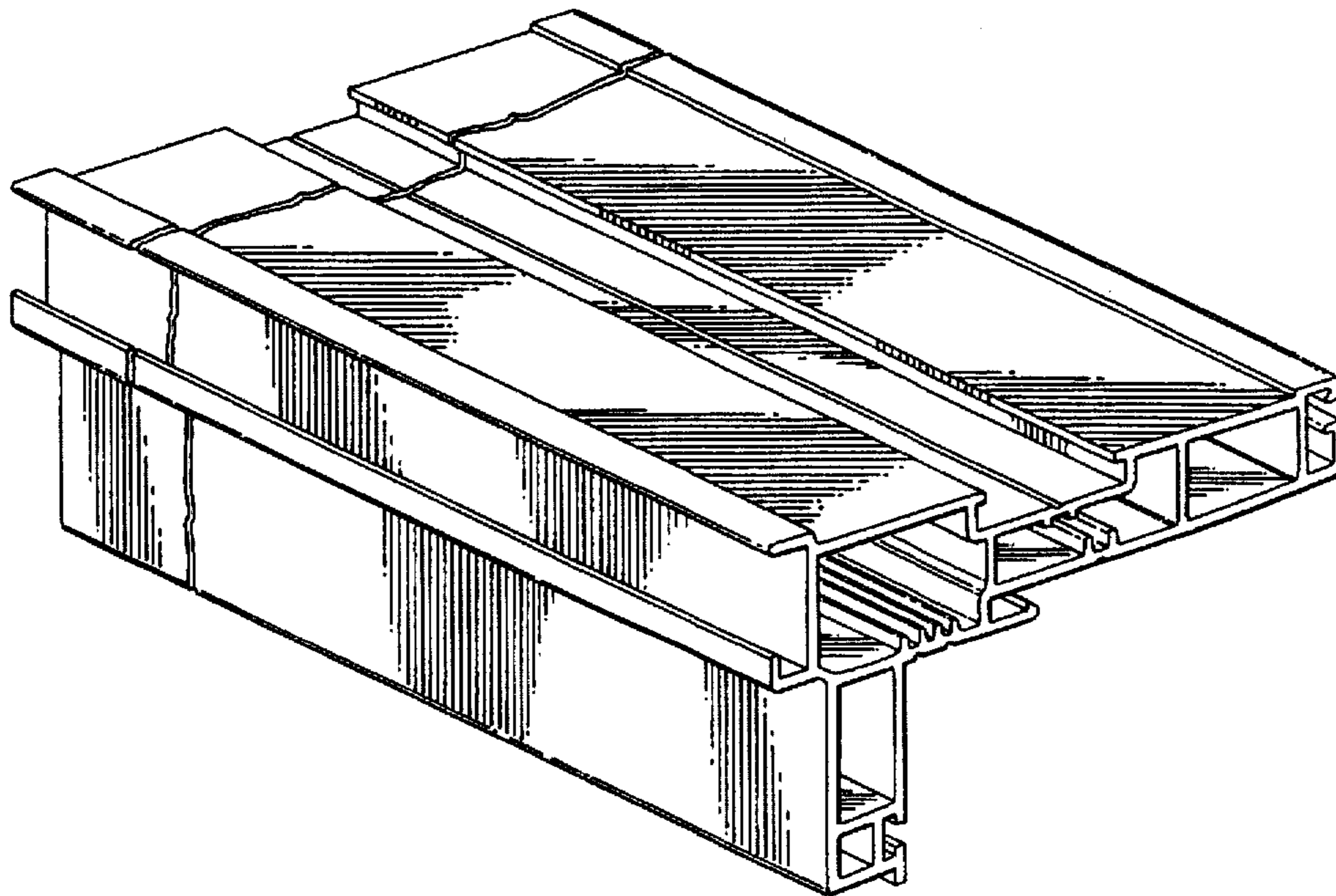
The window frame member is broken away near the end to disclose indeterminate length.

[56] References Cited

U.S. PATENT DOCUMENTS

D. 325,992 5/1992 Valentin D25/124

1 Claim, 1 Drawing Sheet



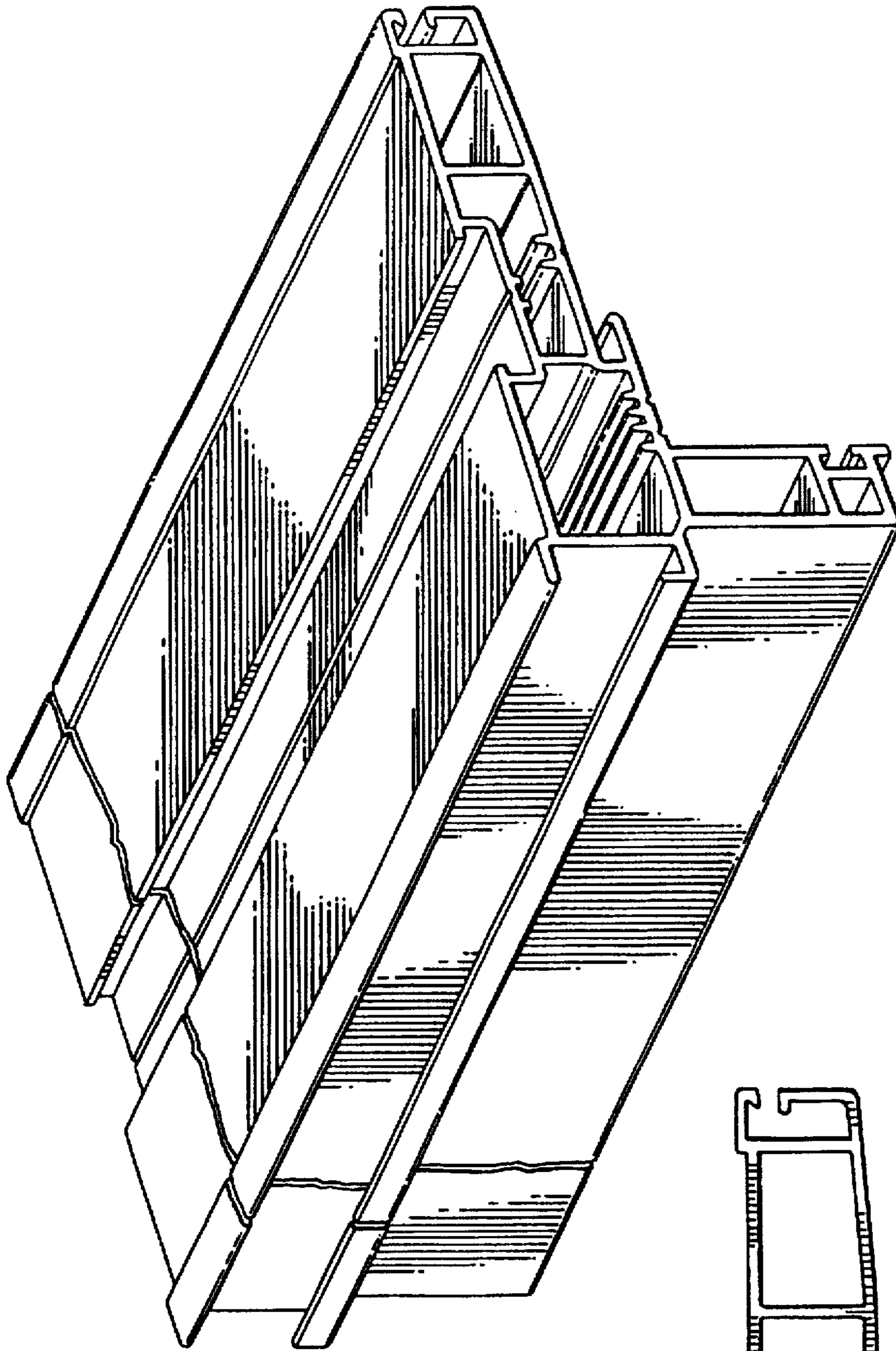


FIG. 1.

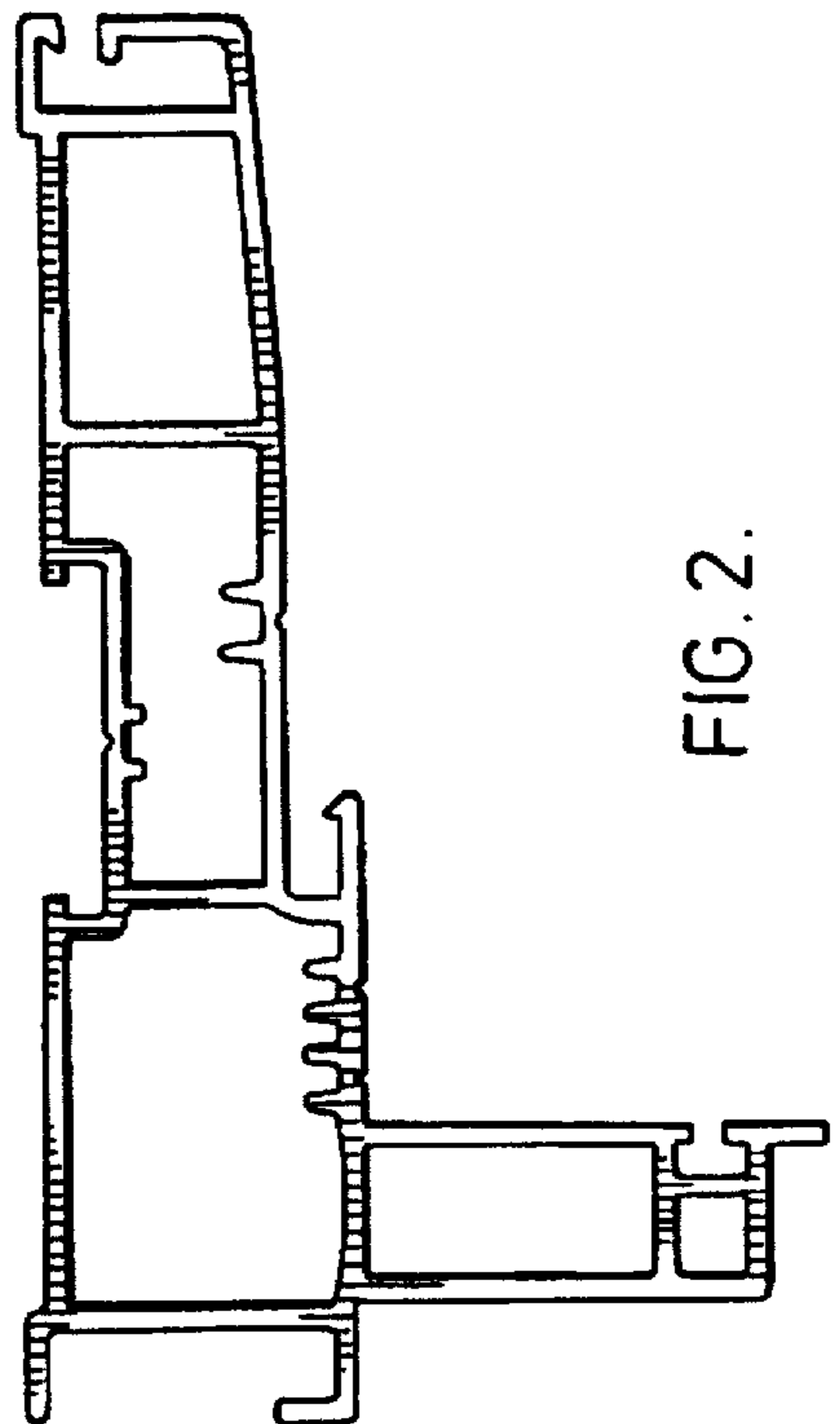


FIG. 2.