



US00D394716S

United States Patent [19]

Rinot et al.

[11] Patent Number: Des. 394,716

[45] Date of Patent: **May 26, 1998

[54] CONSTRUCTION BEAM EXTRUSION

D. 336,345 6/1993 Fasth et al. D25/126
3,451,183 6/1969 Lespagnol et al. D25/61

[75] Inventors: **Jacob Rinot**, Herzliya; **Uri Rinot**,
Rishon Le-Zion, both of Israel

Primary Examiner—Doris Clark
Attorney, Agent, or Firm—Browdy and Neimark

[73] Assignee: **Rinot Planning & Installation Ltd.**,
Rishon Le-Zion, Israel

[57] CLAIM

[**] Term: 14 Years

The ornamental design for a construction beam extrusion, as shown and described.

[21] Appl. No.: 68,431

DESCRIPTION

[22] Filed: Apr. 7, 1997

[51] LOC (6) Cl. 25-01

[52] U.S. Cl. D25/124; D25/126

[58] Field of Search D25/124, 126,
D25/61, 125; 52/650.1, 649.2, 650.2, 650.01,
651.07

FIG. 1 is a perspective view of a construction beam extrusion showing our new design, the extrusion being of indeterminate length;

FIG. 2 is an end view thereof;

FIG. 3 is a right side view thereof;

FIG. 4 is a top view thereof;

FIG. 5 is a left side view thereof; and,

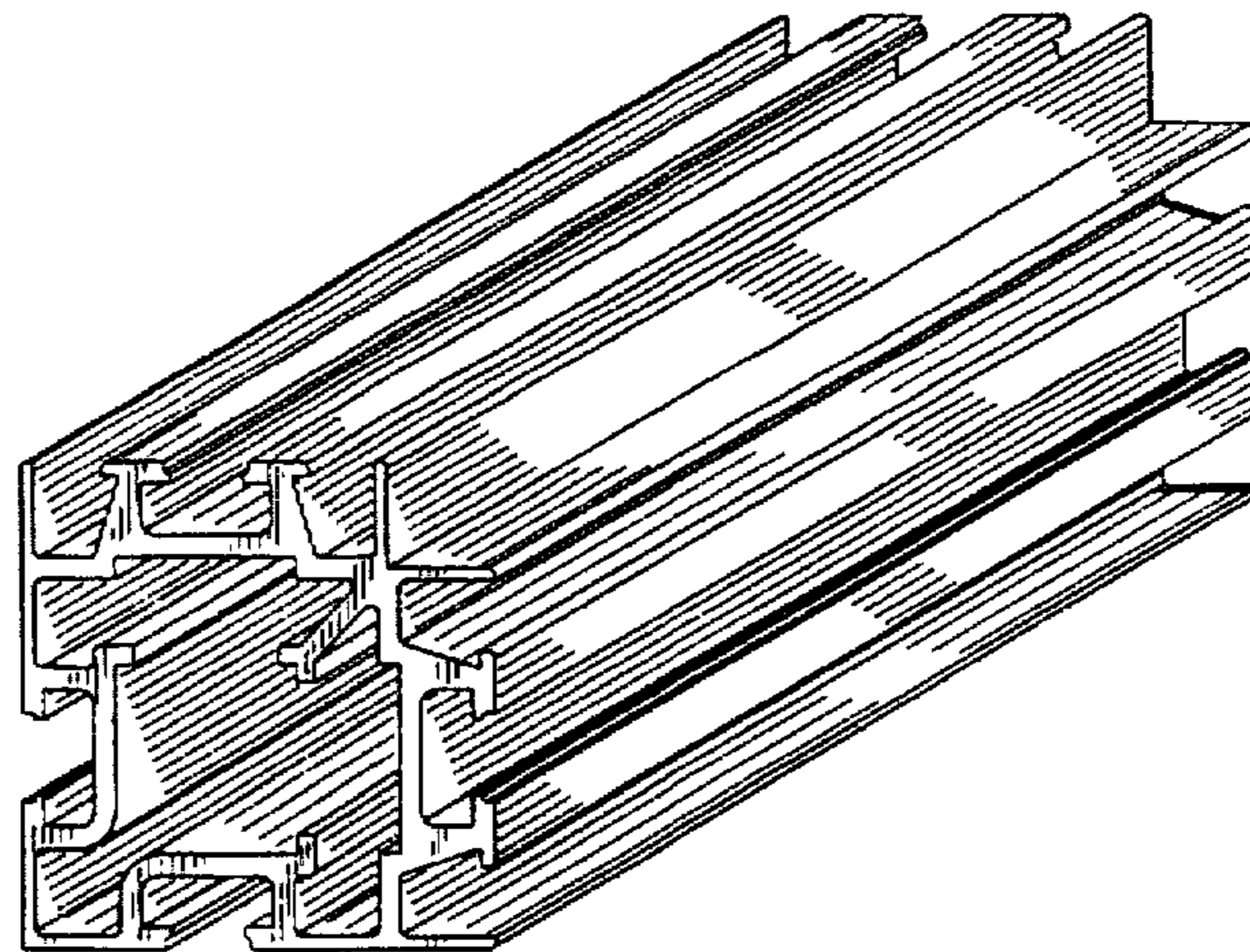
FIG. 6 is a bottom view thereof.

[56] References Cited

U.S. PATENT DOCUMENTS

D. 273,334 4/1984 Young D25/126

1 Claim, 2 Drawing Sheets



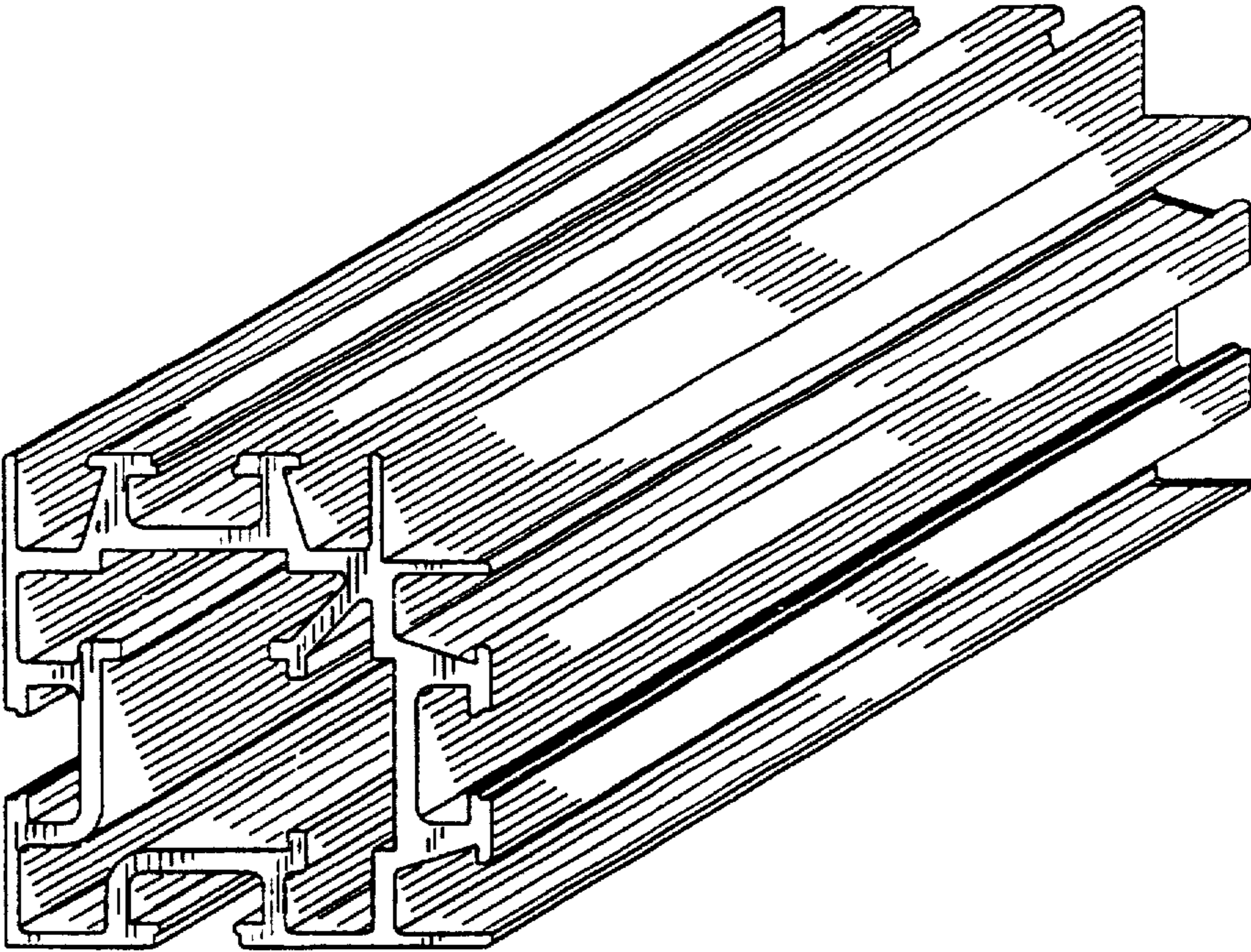


FIG. 1

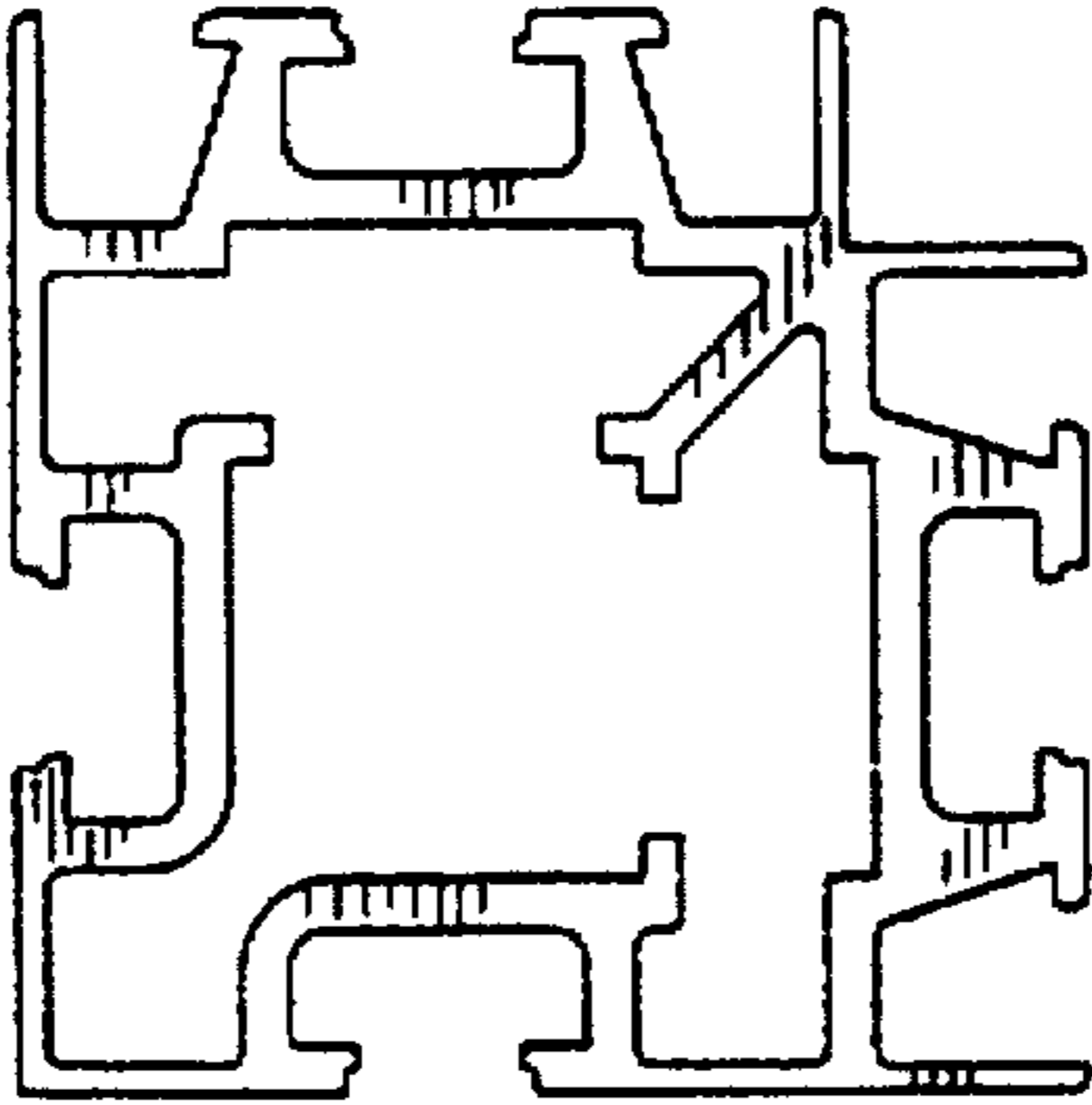


FIG. 2

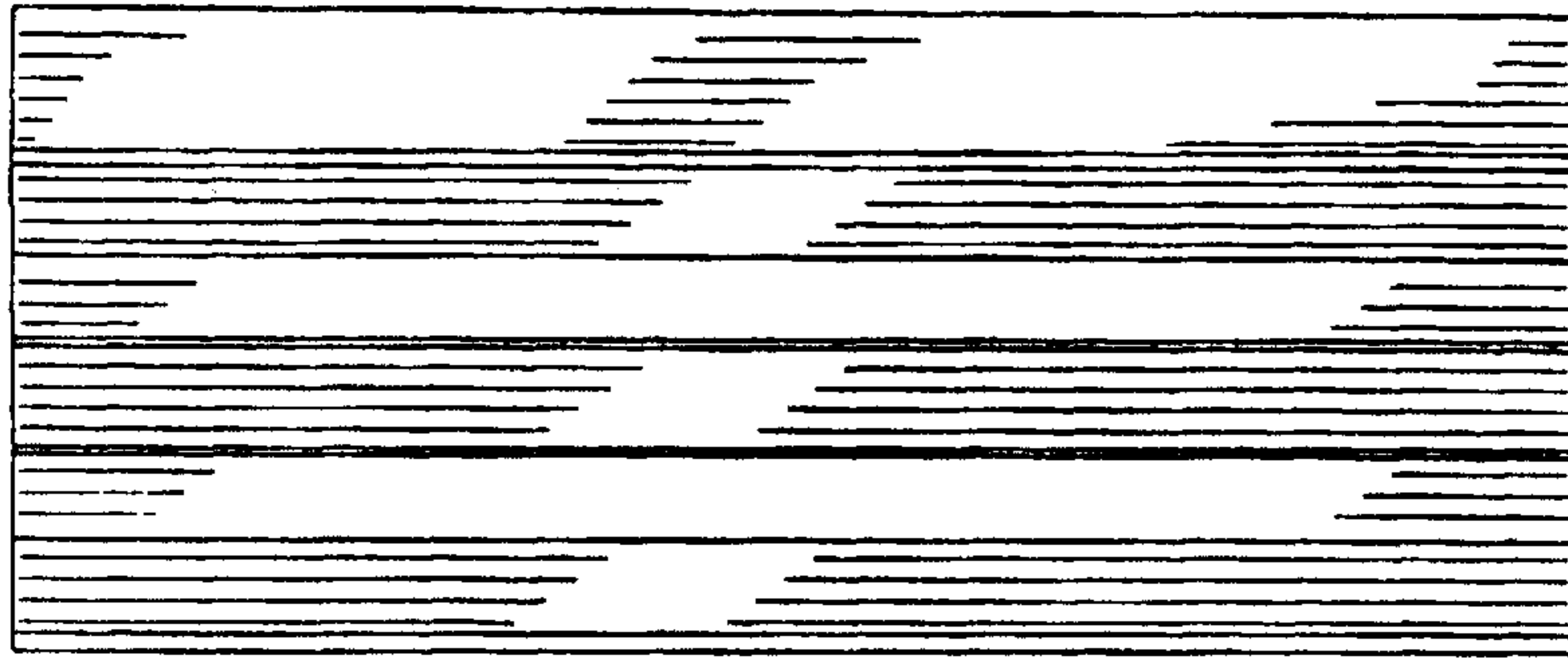


FIG. 3

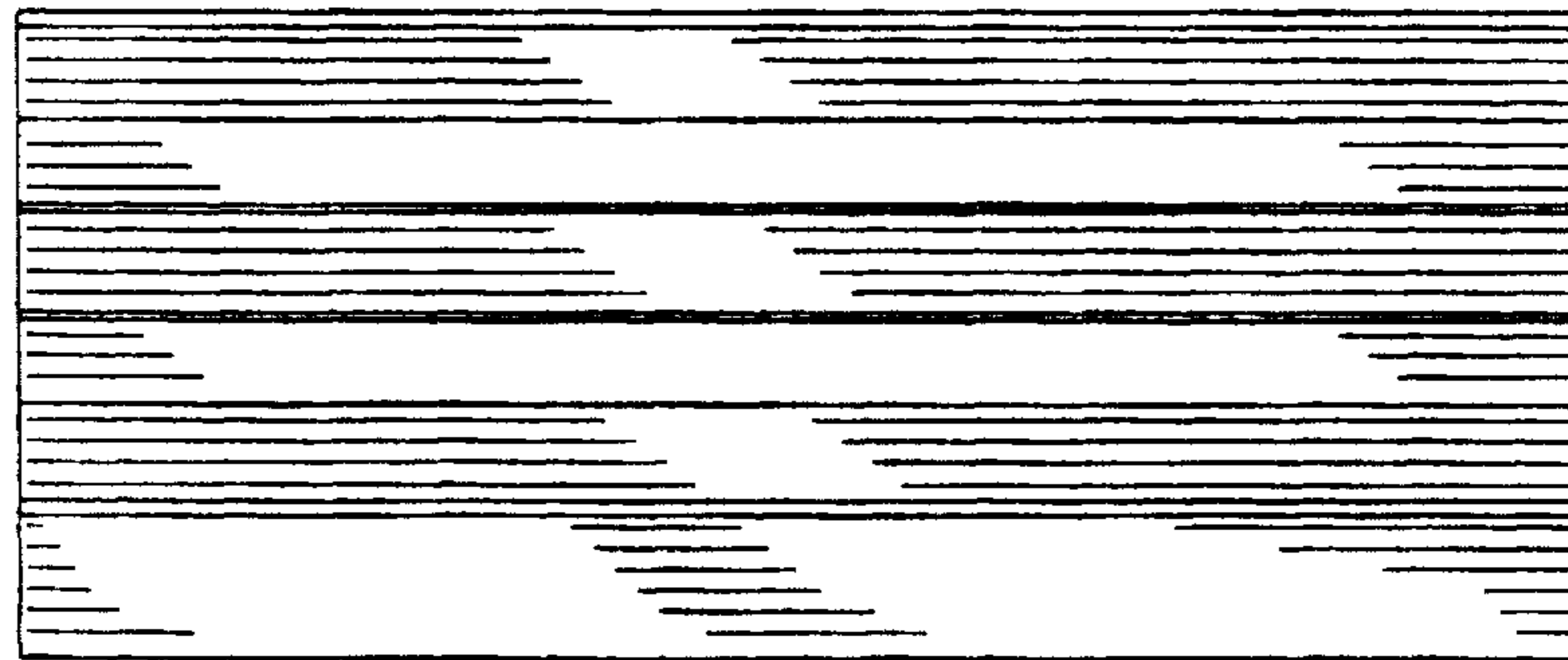


FIG. 4

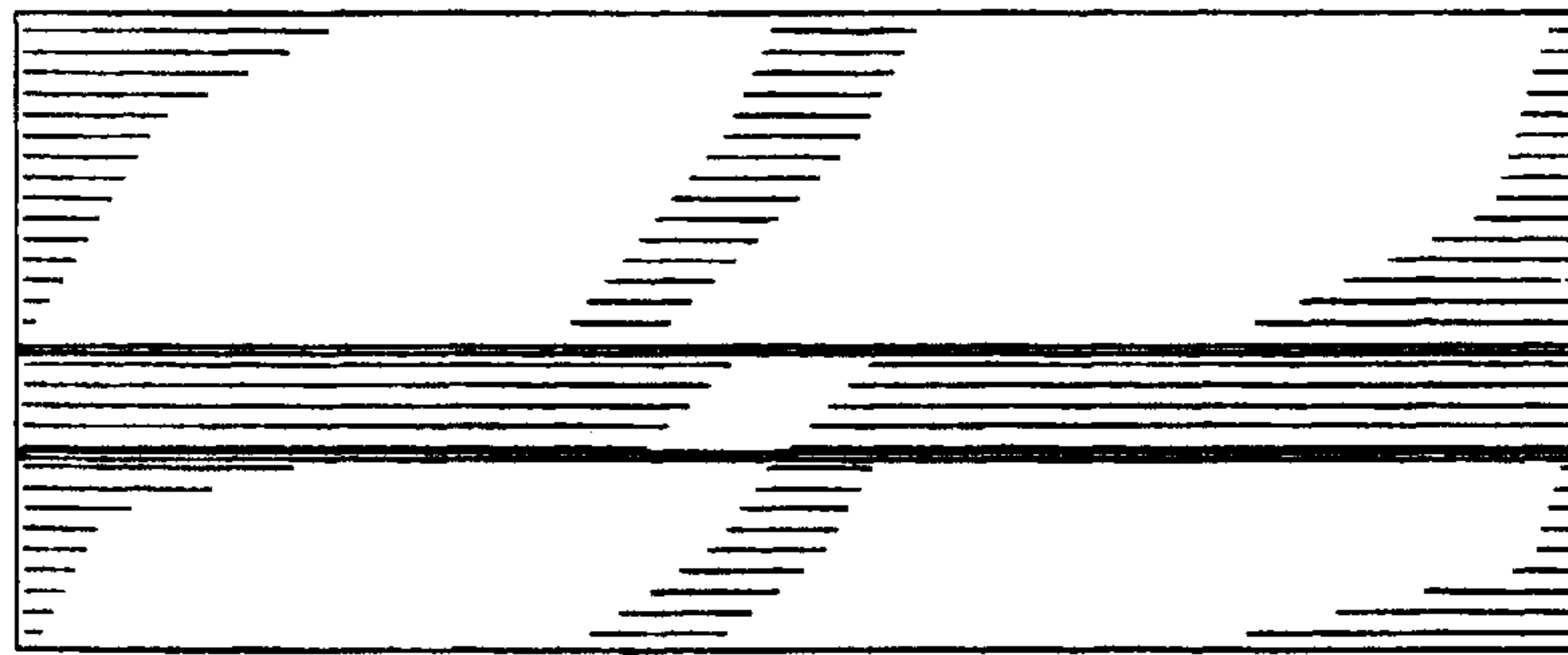


FIG. 5

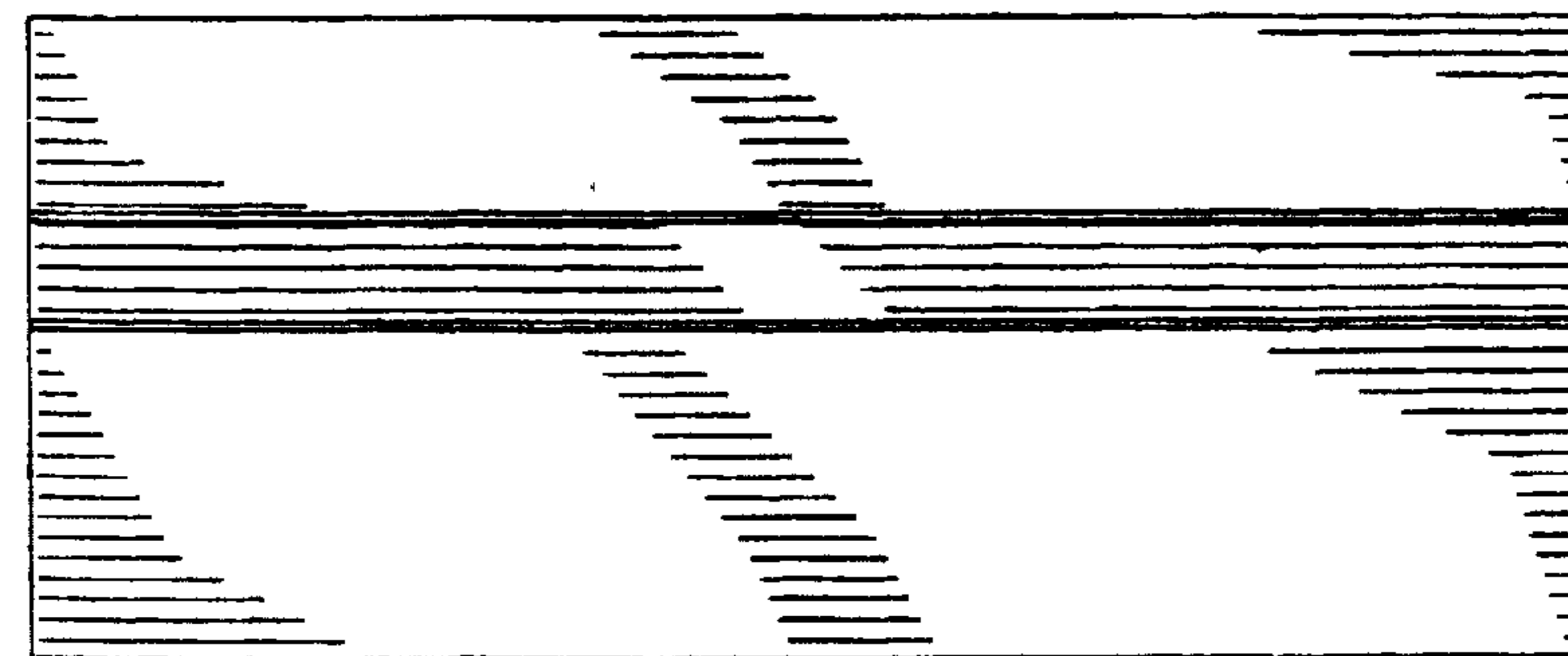


FIG. 6