



US00D394714S

United States Patent [19]
Plummer

[11] **Patent Number:** **Des. 394,714**

[45] **Date of Patent:** ****May 26, 1998**

[54] **CASEMENT WINDOW**

3,035,316 5/1962 Revell et al. D25/52
4,627,206 12/1986 Cox 52/204.5

[75] **Inventor:** **David D. Plummer**, Hudson, Wis.

Primary Examiner—Doris Clark

[73] **Assignee:** **Andersen Corporation**, Bayport, Minn.

Attorney, Agent, or Firm—Merchant, Gould, Smith, Edell,
Welter & Schmidt, P.A.

[**] **Term:** **14 Years**

[57] **CLAIM**

[21] **Appl. No.:** **52,293**

The ornamental design for a casement window, as shown
and described.

[22] **Filed:** **Mar. 27, 1996**

[51] **LOC (6) Cl.** **25-02**

[52] **U.S. Cl.** **D25/52**

[58] **Field of Search** D25/52; 52/204.5,
52/204.1, 204.593, 204.55, 656.1, 656.5,
656.8; 49/501, 61, 63, DIG. 2

DESCRIPTION

FIG. 1 is a front elevational view of my new design;

FIG. 2 is an enlarged fragmentary view of the lower right
corner thereof; and,

FIG. 3 is a cross-sectional view taken generally along line
3—3 of FIG. 1, the interior surface profile being uniform
about the entire perimeter of the window.

[56] **References Cited**

U.S. PATENT DOCUMENTS

D. 363,557 10/1995 Lindgren et al. D25/52

1 Claim, 2 Drawing Sheets

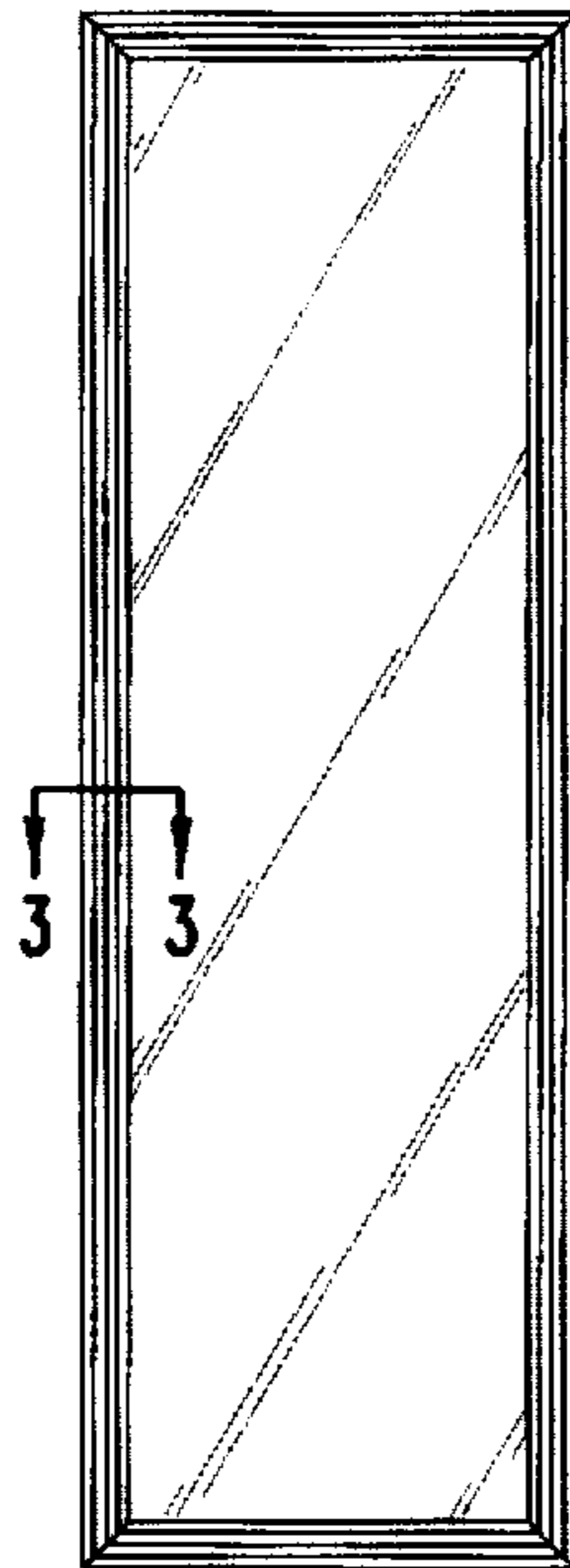


FIG. 1

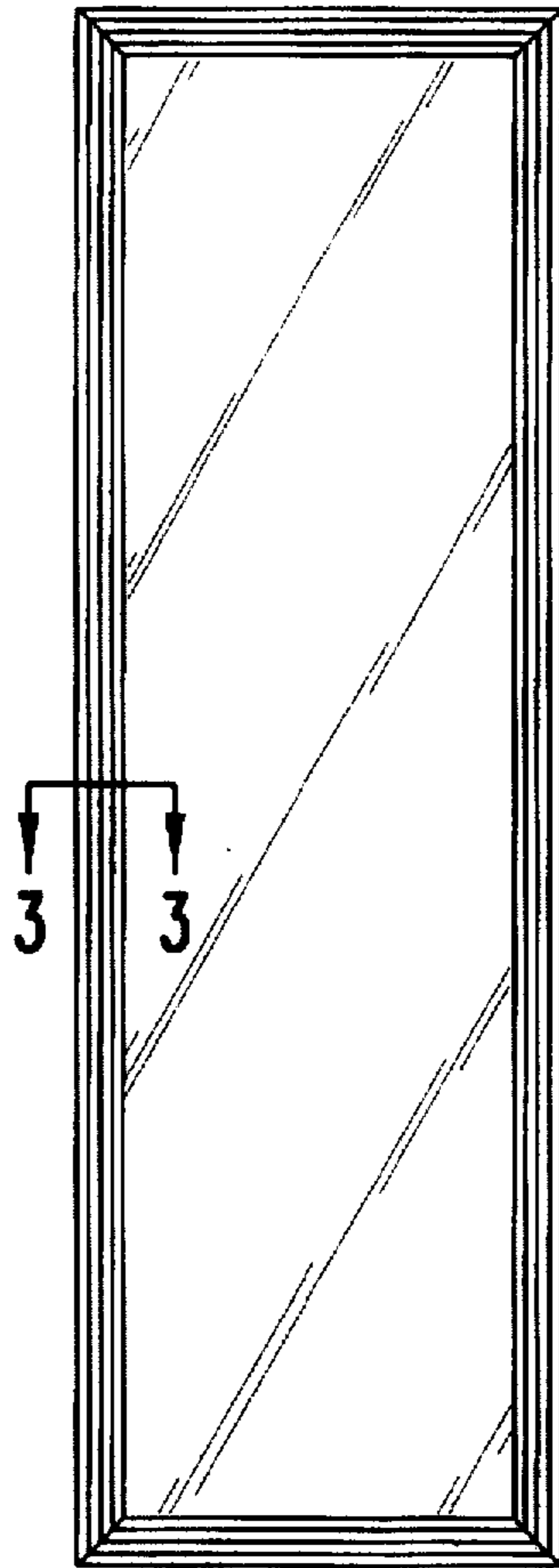


FIG. 2

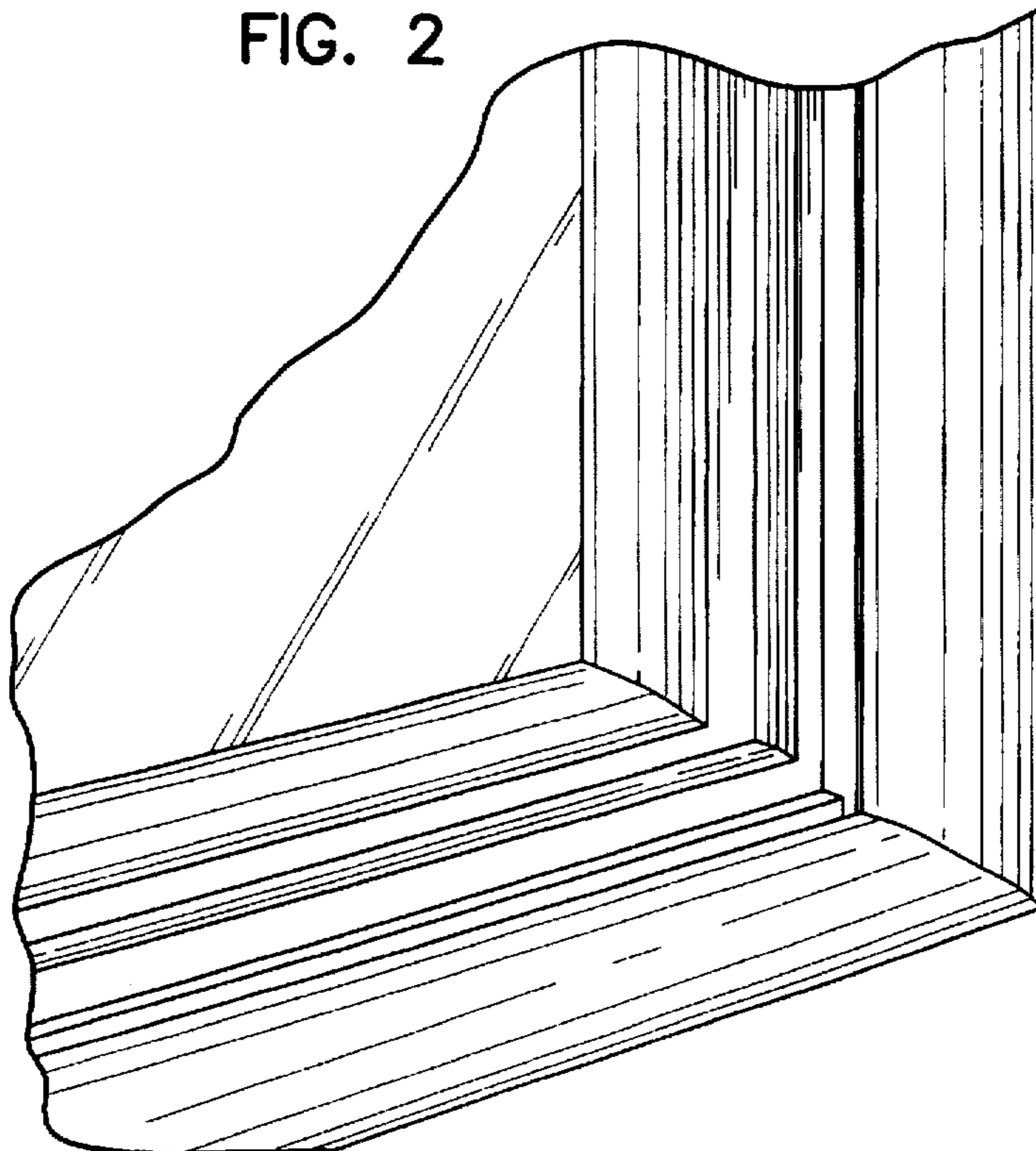


FIG. 3

