

US00D394713S

United States Patent [19]

Darcey et al.

[11] Patent Number: **Des. 394,713**

[45] Date of Patent: ****May 26, 1998**

[54] **MEDICAL SPLINT**

[75] Inventors: **Thomas D. Darcey**, Mooresville;
Ronald L. Kelley, Huntersville; **David C. Carpenter**, Sparta, all of N.C.

[73] Assignee: **Smith & Nephew, Inc.**, Charlotte, N.C.

[**] Term: **14 Years**

[21] Appl. No.: **67,468**

[22] Filed: **Mar. 4, 1997**

[51] LOC (6) Cl. **24-04**

[52] U.S. Cl. **D24/190; D24/191; D24/192**

[58] Field of Search **D24/190, 191, D24/192; 602/5, 6, 20; 128/877, DIG. 6**

[56] References Cited

U.S. PATENT DOCUMENTS

D. 340,524	10/1993	Russell	D24/190
3,085,569	4/1963	Cook et al.	.	
3,826,252	7/1974	Laico	.	
3,923,049	12/1975	Lauber et al.	.	
4,235,228	11/1980	Gaylord, Jr. et al.	.	
4,442,833	4/1984	Dahlen et al.	.	
4,628,917	12/1986	Campagna, Jr. et al.	.	
4,941,479	7/1990	Russell et al.	128/877

5,003,970	4/1991	Parker et al.	.	
5,195,944	3/1993	Schlogel	602/5
5,454,780	10/1995	Duback et al.	.	

OTHER PUBLICATIONS

Patient Care, Division of Zimmer, *Do You Always Wind Up In A Mess With Splints?*; pp. 1-7; Date of Publication Unknown; Printed in the U.S.A.

Primary Examiner—Stella Reid
Attorney, Agent, or Firm—Adams Law Firm, P.A.

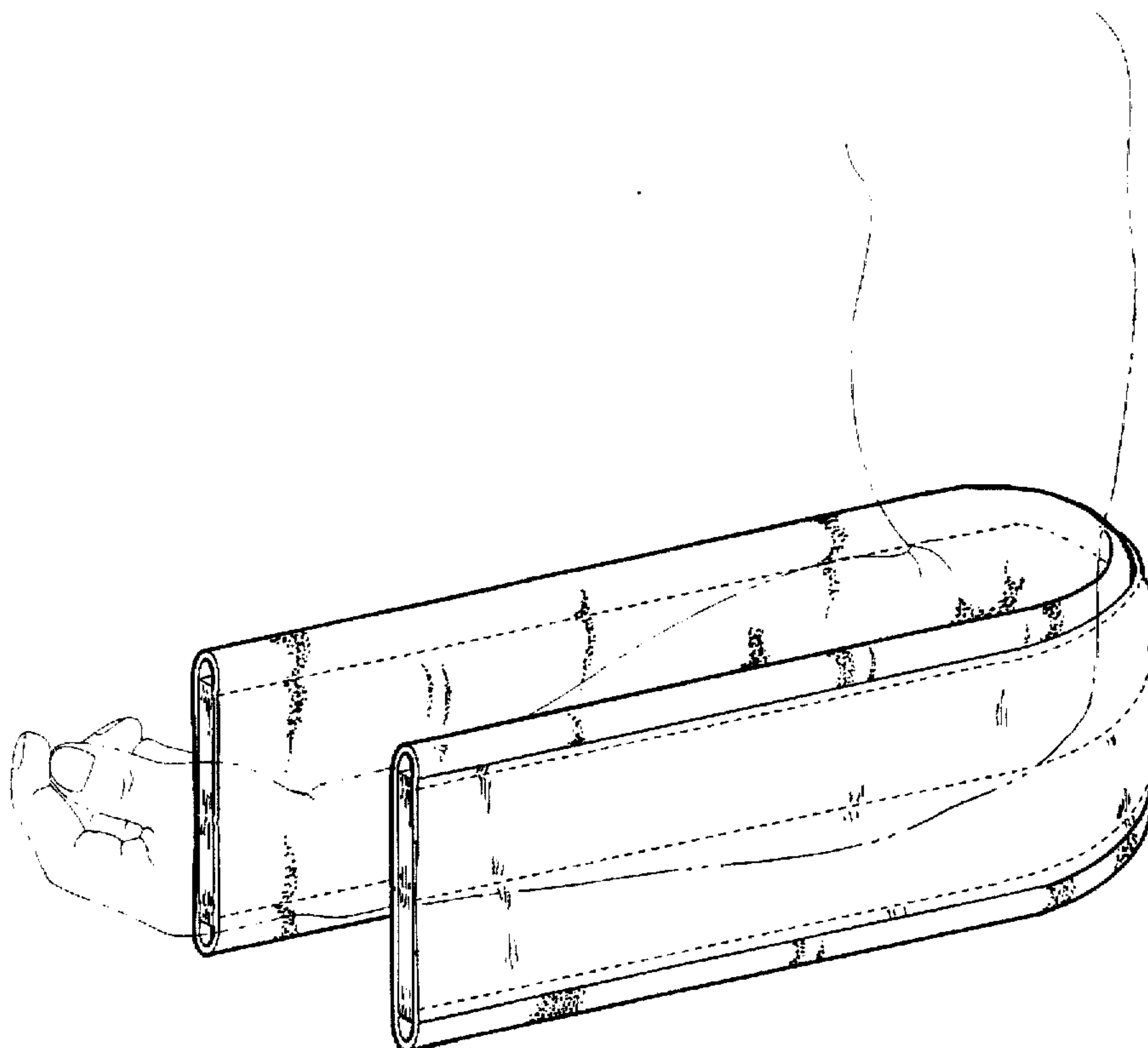
[57] CLAIM

The ornamental design for a medical splint, as shown.

DESCRIPTION

FIG. 1 is a perspective view of a medical splint, showing our new design; the broken line showing is for illustrative purposes only and forms no part of the claimed design; FIG. 2 is an inside perspective view of the medical splint laid flat; FIG. 3 is an outside perspective view thereof; FIG. 4 is a longitudinal side edge view of the medical splint, the opposite side edge being a mirror image thereof; and, FIG. 5 is an end view of the medical splint, the opposite end being a mirror image thereof.

1 Claim, 3 Drawing Sheets



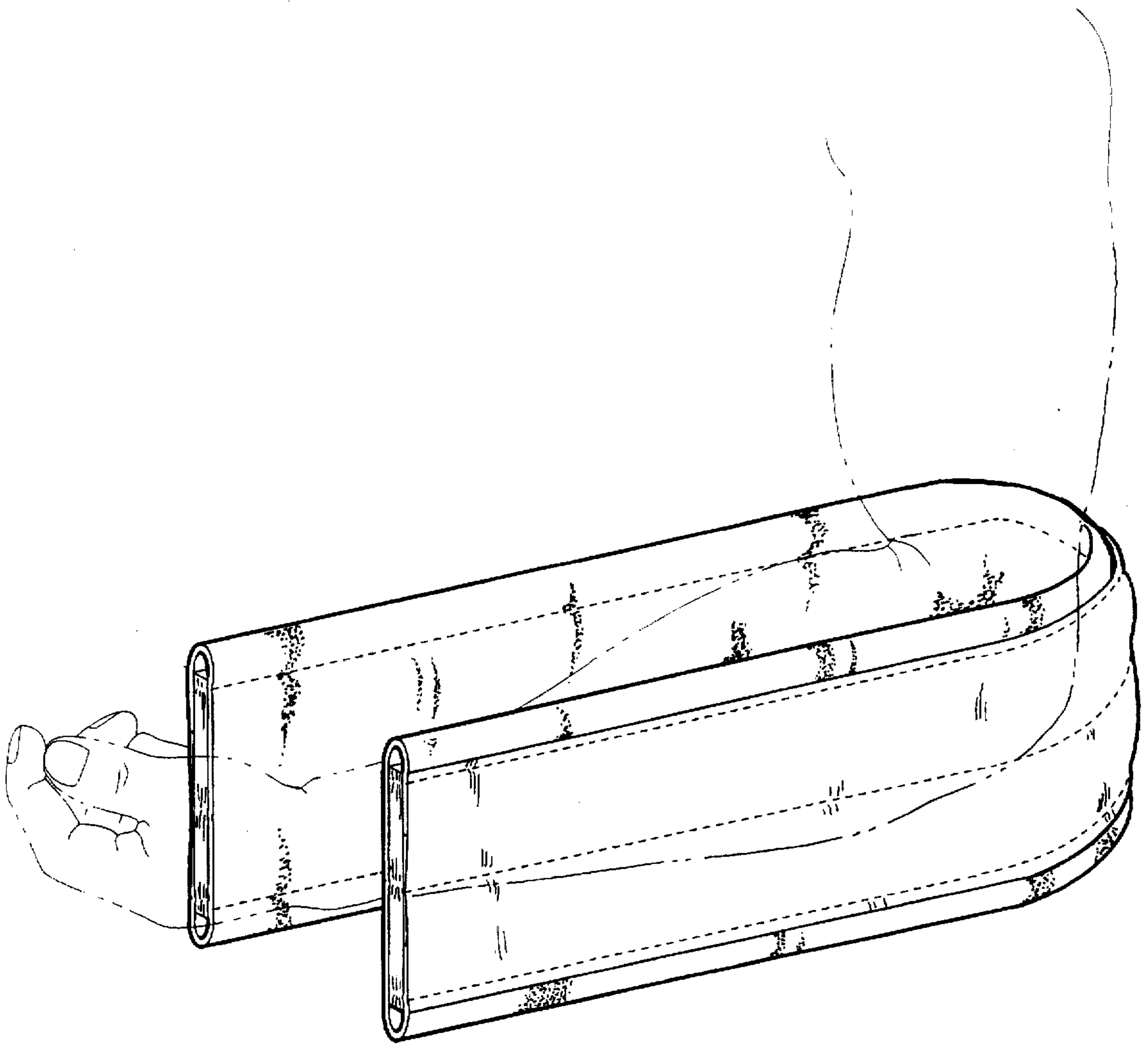


Fig. 1

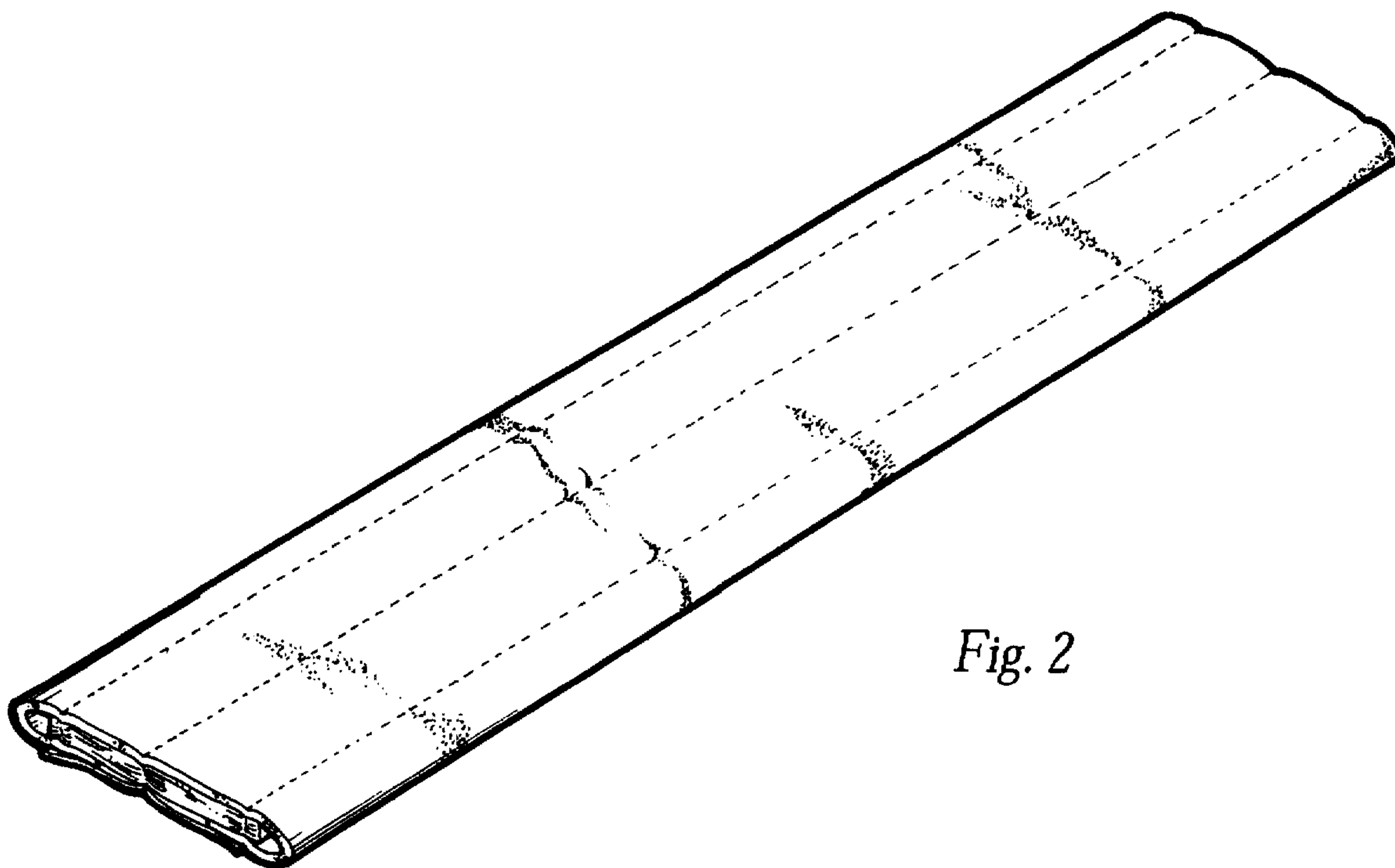


Fig. 2

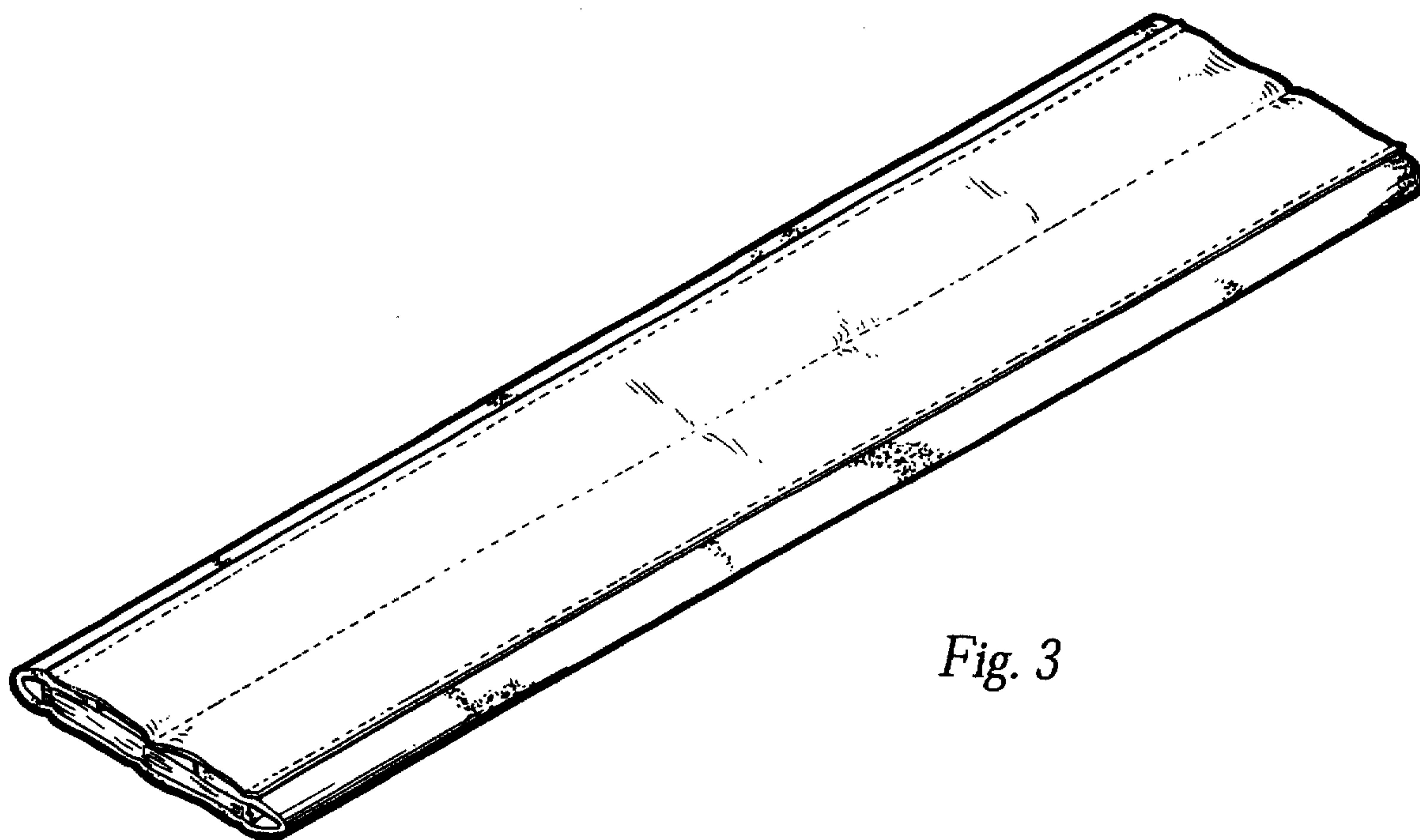


Fig. 3



Fig. 4

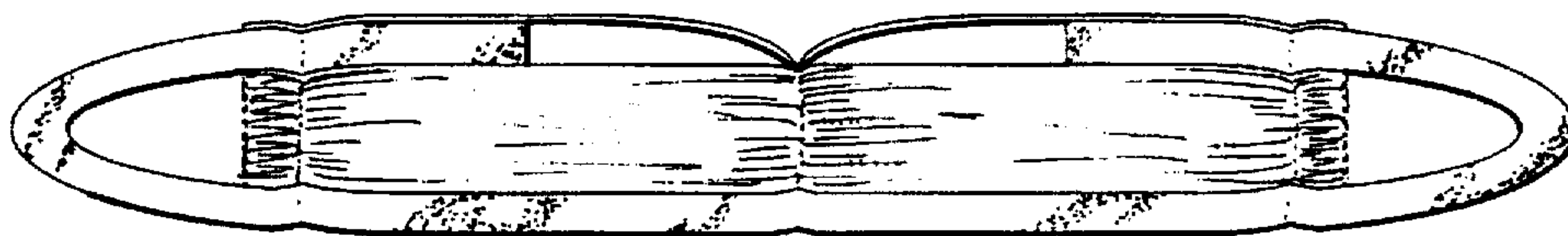


Fig. 5