



US00D394712S

**United States Patent** [19]  
**Henderson et al.**

[11] **Patent Number: Des. 394,712**  
[45] **Date of Patent: \*\*May 26, 1998**

[54] **MEDICAL ULTRASOUND SYSTEM**

[75] **Inventors: Richard W. Henderson, Fremont; Joseph J. Molinari, Redwood City; Robert Mesaros; Glenn L. Hansen, both of San Jose; David E. Burris, Santa Cruz; James G. O'Young, Sunnyvale; Randall J. Bertuccelli, Mt. Aukum; Dean F. Hoornaert; Jeremy H. Galten, both of Mountain View; John C. Foot, Campbell; Kenneth D. Wood, Woodside; Gilbert Y. Wong, San Francisco; Andrew L. Zee, San Mateo; Anastasia Mikula-Curtis, Saratoga, all of Calif.**

[73] **Assignee: Acuson Corporation, Mountain View, Calif.**

[\*\*] **Term: 14 Years**

[21] **Appl. No.: 36,882**

[22] **Filed: Mar. 29, 1995**

[51] **LOC (6) Cl. .... 24-01**

[52] **U.S. Cl. .... D24/160**

[58] **Field of Search .... D24/160, 186; 128/653, 660.01, 660.02, 660.03, 660.07**

[56] **References Cited**

**U.S. PATENT DOCUMENTS**

D. 300,241	3/1989	La Celle et al. ....	D24/160
D. 354,353	1/1995	Ishizuka et al. ....	D24/160
D. 365,148	12/1995	Murakami et al. ....	D24/160
4,058,001	11/1977	Waxman ....	128/660.07
4,625,731	12/1986	Quedens et al. ....	128/660.07

**OTHER PUBLICATIONS**

HPSONOS 2500: Pps. 3.5, and 6 of HPSONOS 2500 Imaging System Brochure; 1994 Andover, MA.  
Toshiba SSH-140 A: photo of Ad Titled: "The Number"; 1992 Place of Publication Unknown.

ATL Ultramark 6 CAD: photo on inside cover (pg 1) and center pages of Brochure (pp. 3-4) ; Nov. 23, 1989 Bothell, Washington.

Hitachi EVB-165: Pps. 1.2 of Brochure; 1990 Hudson, Ohio.

Acuson 128XP System Photo; May 1991 Mountain View, California.

Acuson 128XP Obygn Photo; Dec. 1993 Mountain View, California.

*Primary Examiner—Stella Reid*  
*Attorney, Agent, or Firm—Liza K. Toth*

[57] **CLAIM**

The ornamental design for a medical ultrasound system, as shown.

**DESCRIPTION**

FIG. 1 is the left view of an embodiment of the design with the control panel (keyboard) in the raised position;

FIG. 2 is the front view of an embodiment of the design with the control panel (keyboard) in the raised position;

FIG. 3 is the right view of an embodiment of the design with the control panel (keyboard) in the raised position;

FIG. 4 is the top view of an embodiment of the design;

FIG. 5 is the rear view of an embodiment of the design with the control panel (keyboard) in the raised position;

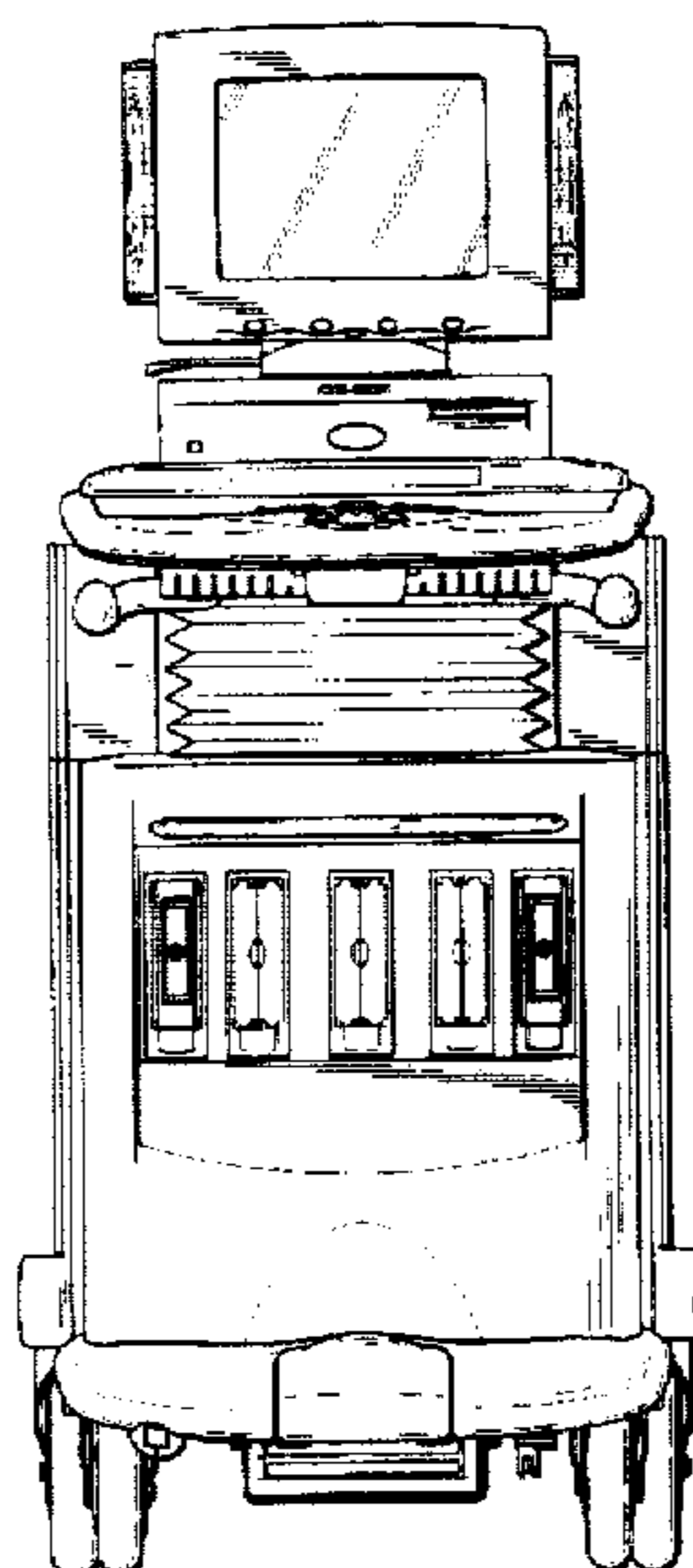
FIG. 6 is the left view of an embodiment of the design with the control panel (keyboard) in the lower position;

FIG. 7 is the front view of an embodiment of the design with the control panel (keyboard) in the lower position;

FIG. 8 is the right view of an embodiment of the design with the control panel (keyboard) in the lower position; and,

FIG. 9 is the rear view of an embodiment of the design with the control panel (keyboard) in the lower position.

**1 Claim, 9 Drawing Sheets**



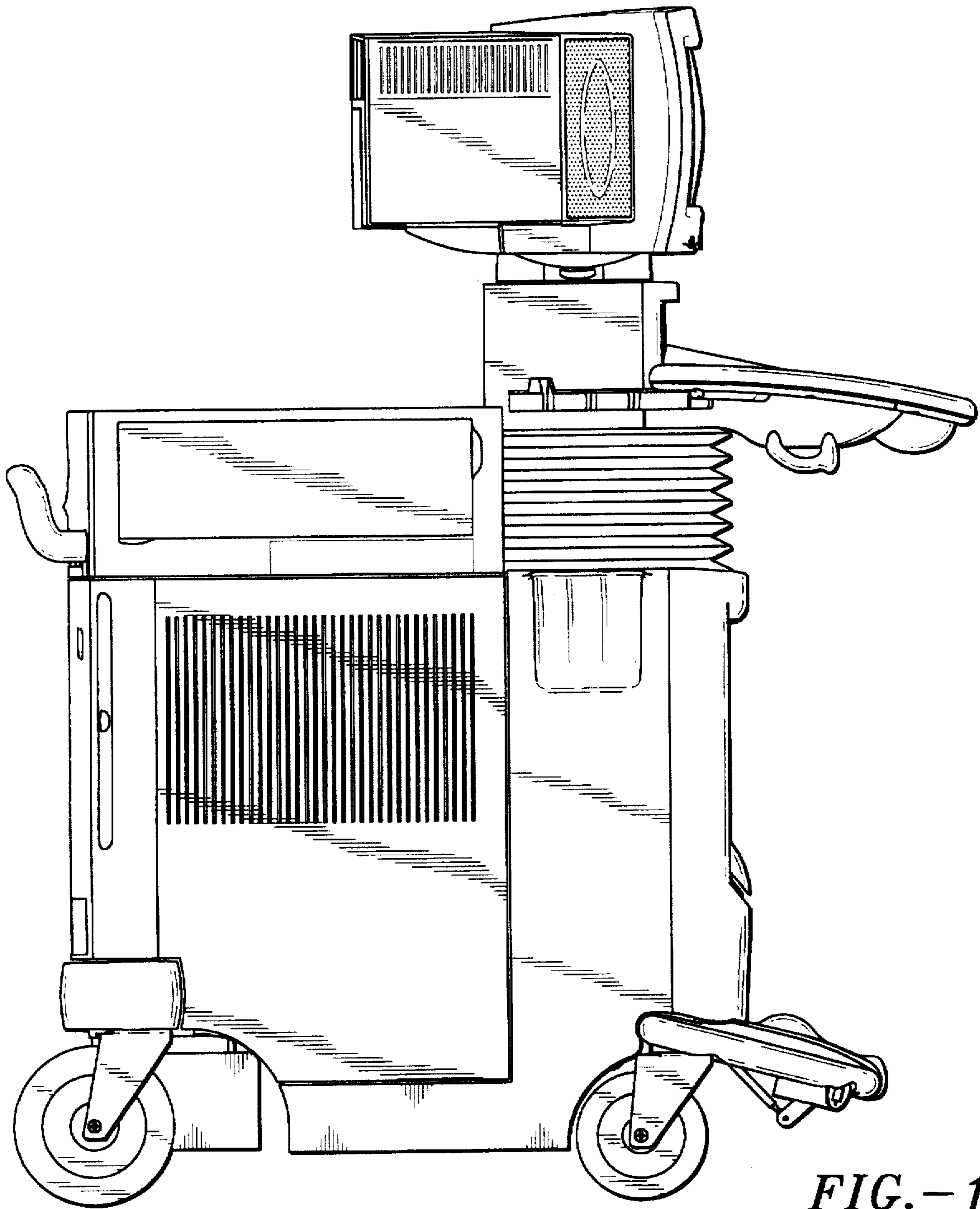


FIG.-1

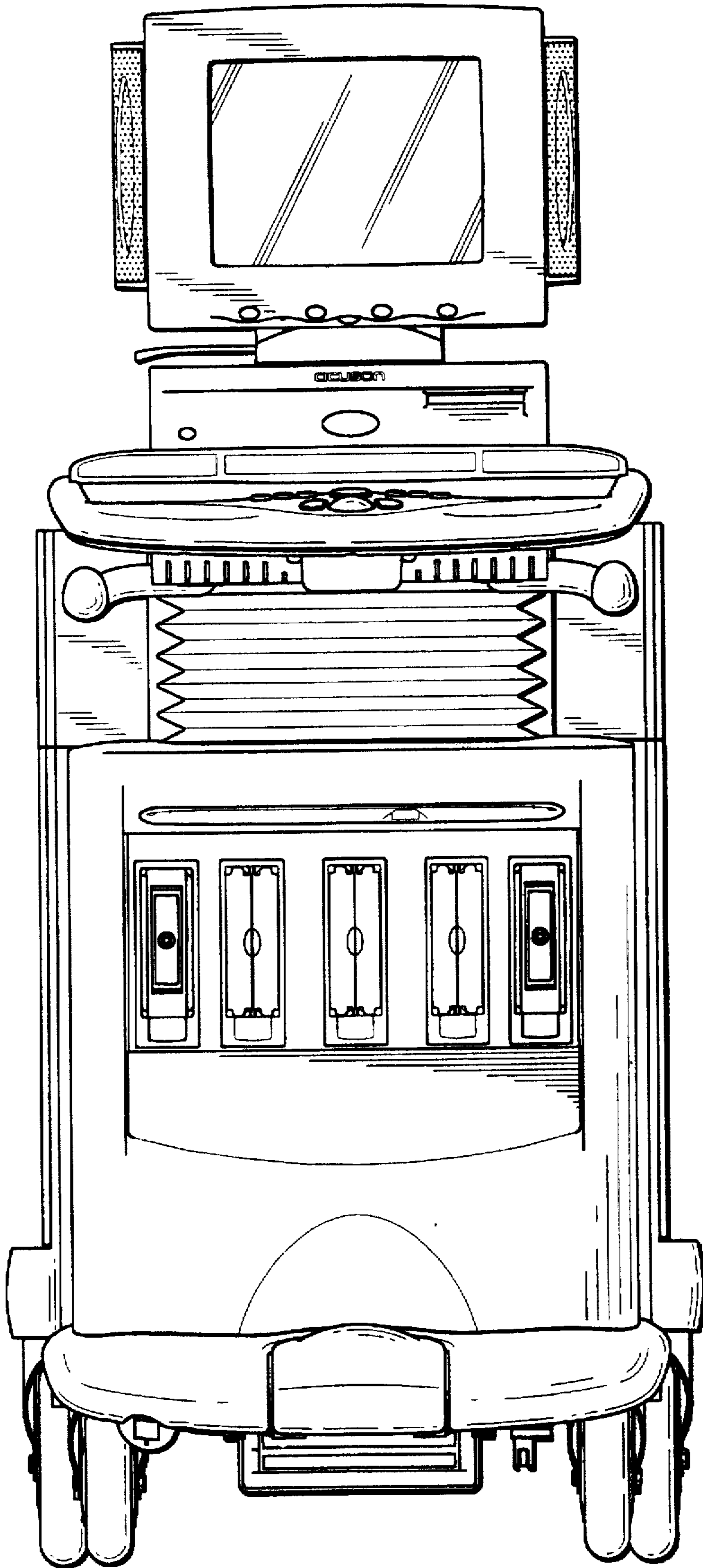


FIG.-2

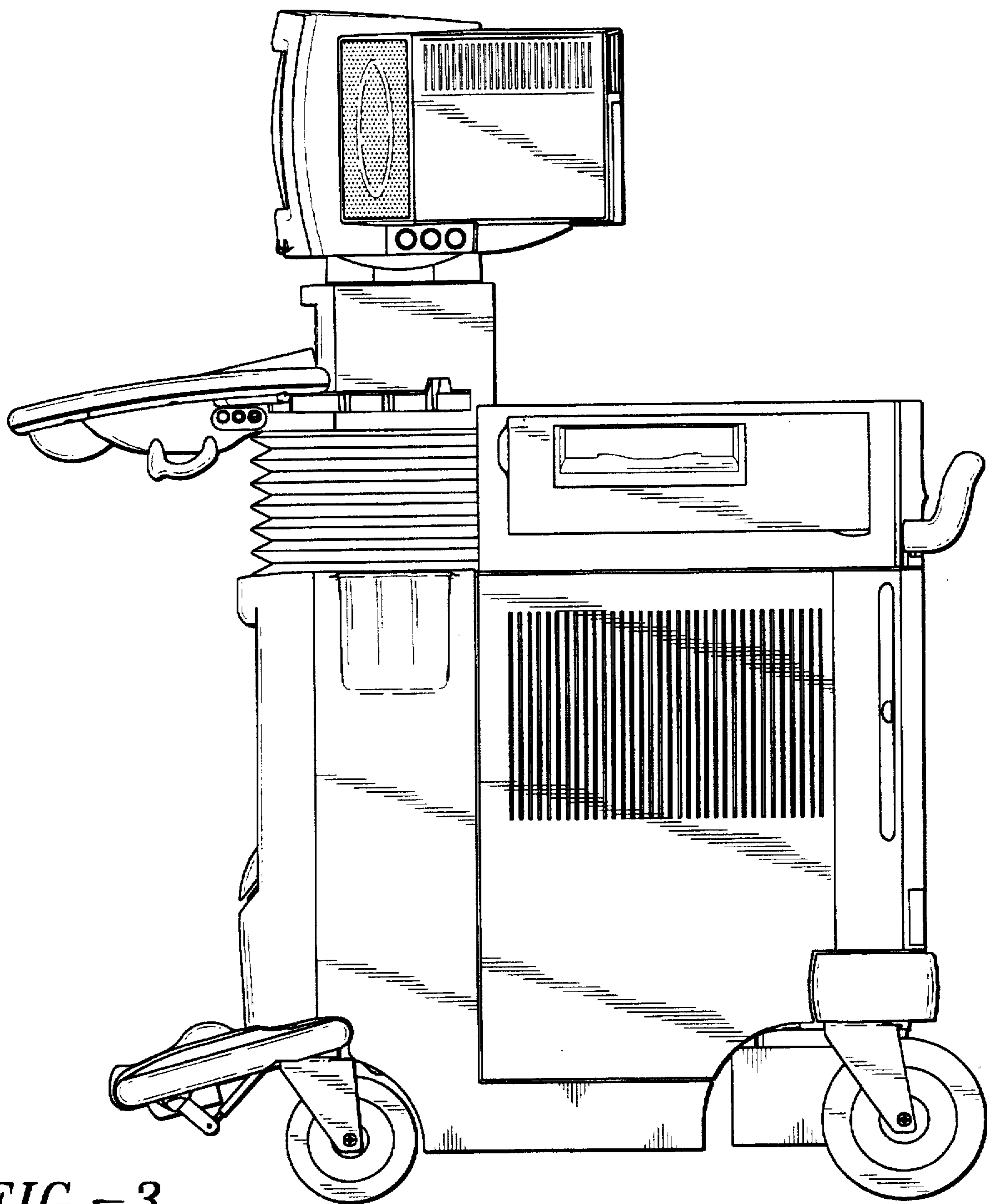
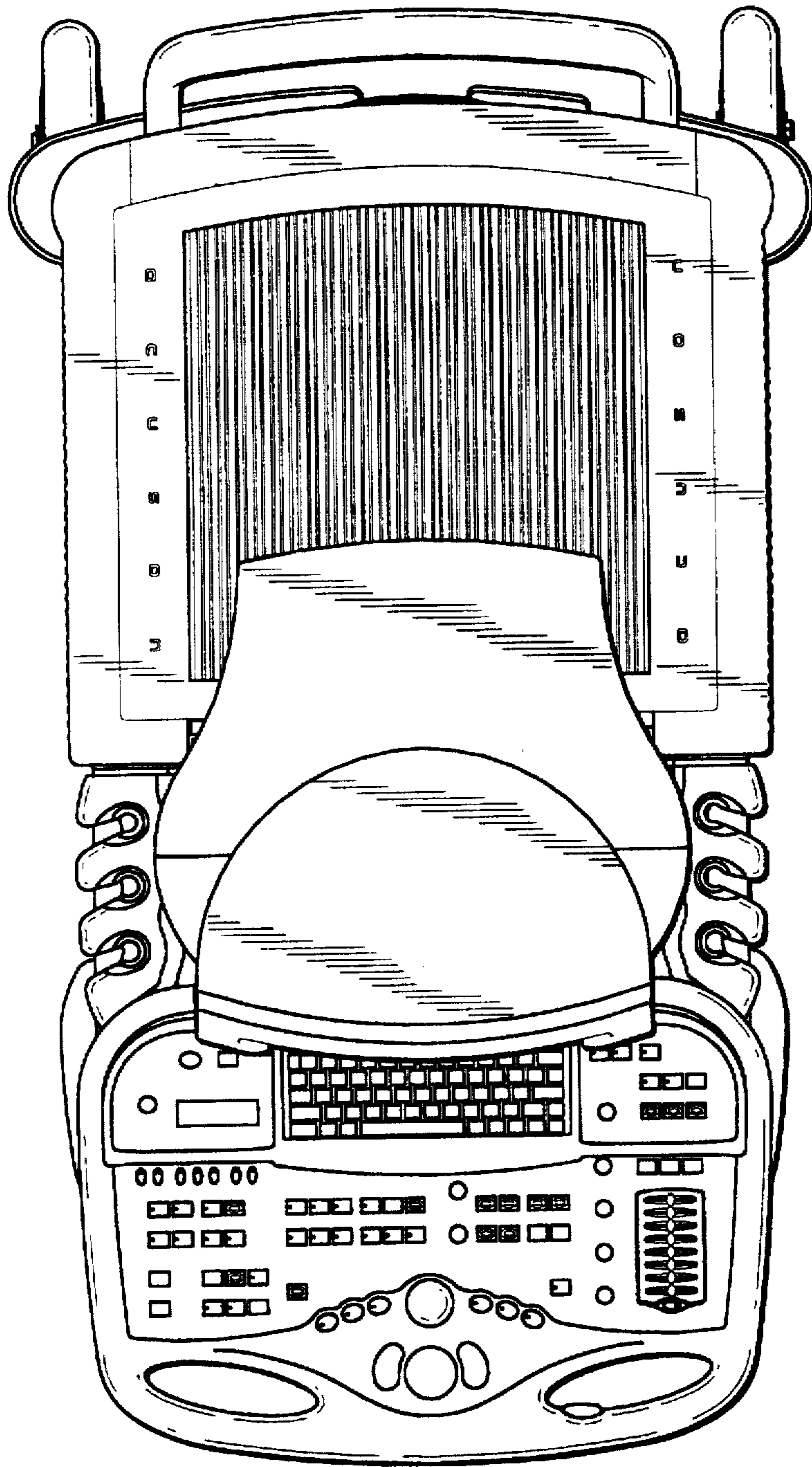
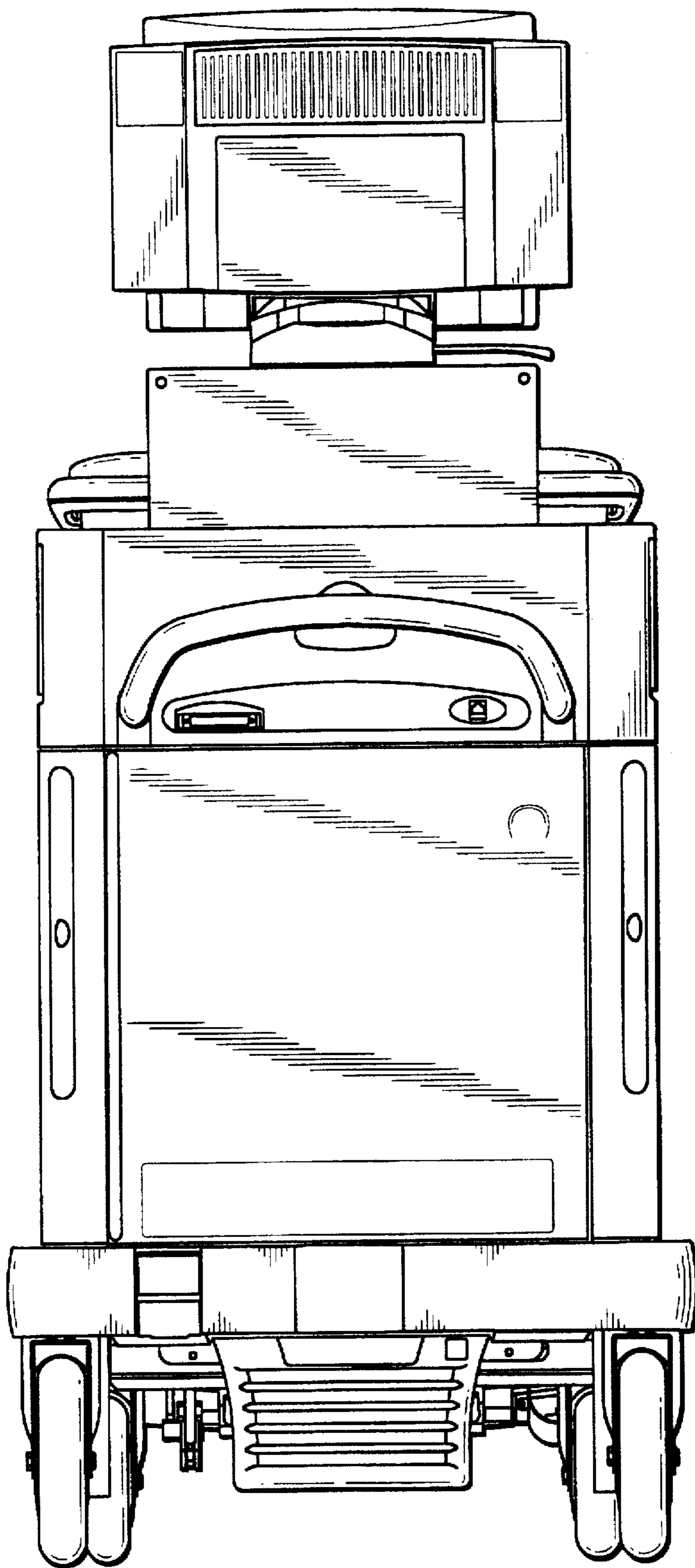


FIG.-3



*FIG. - 4*



*FIG.-5*

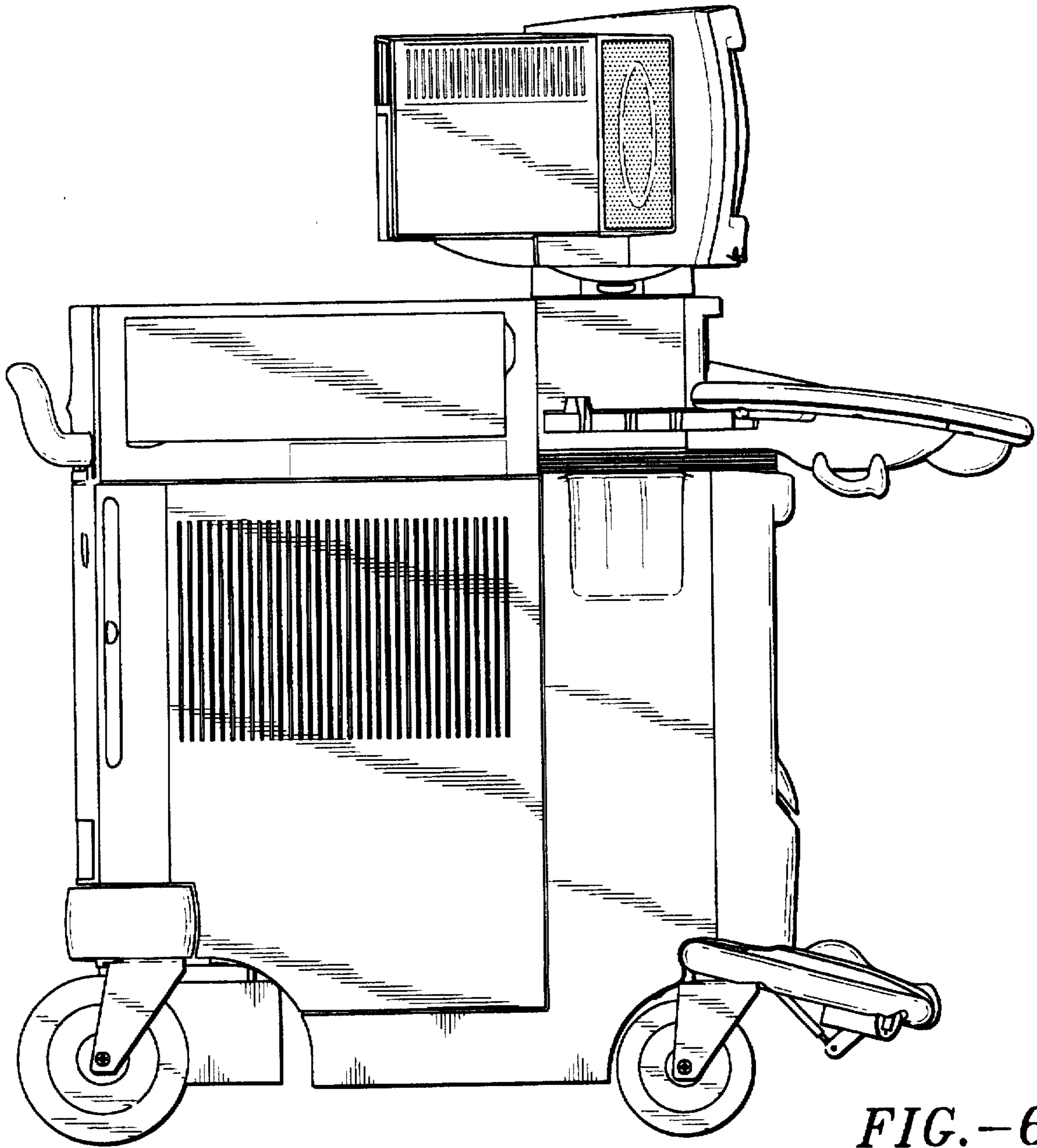
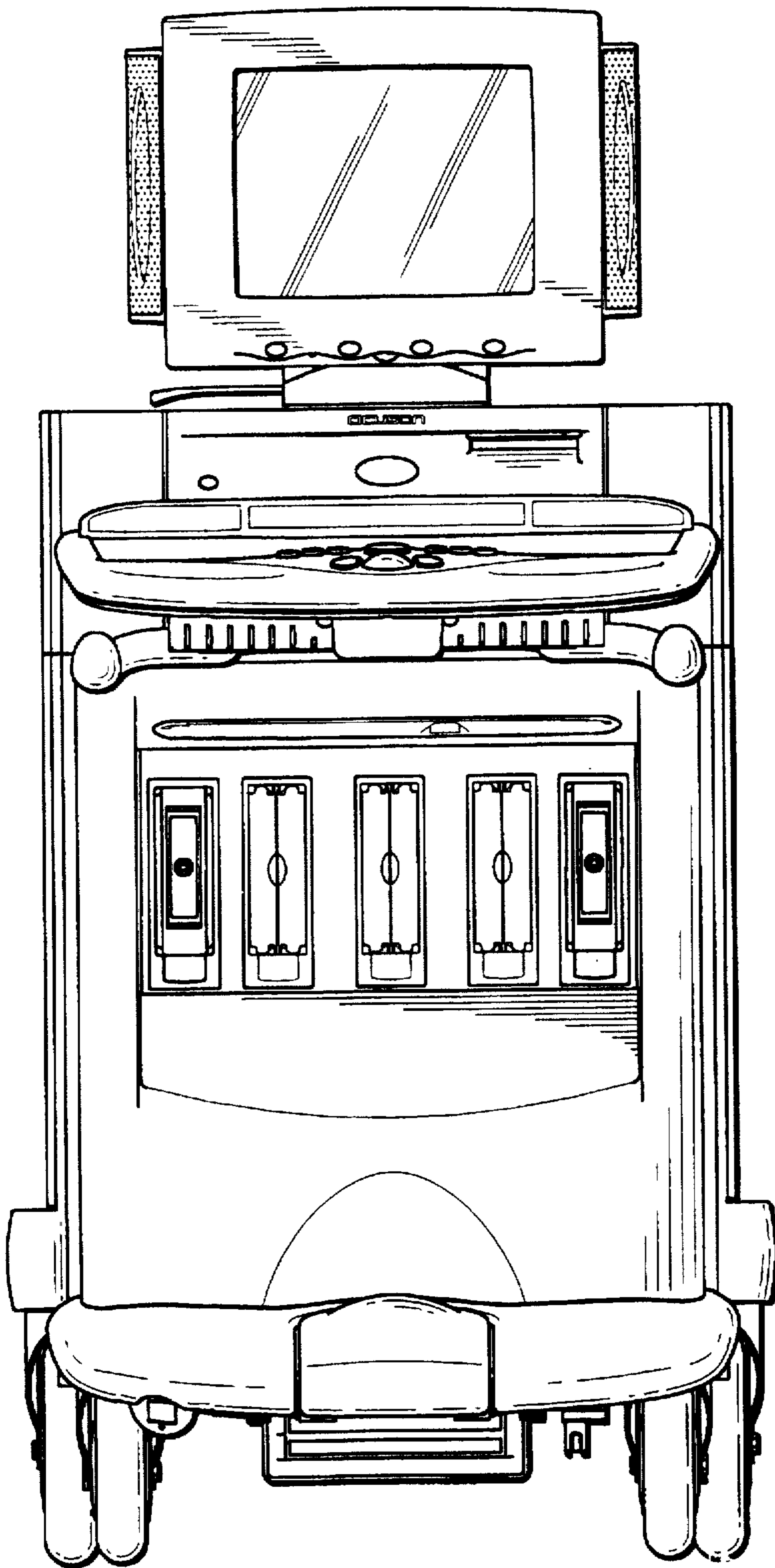


FIG.-6



*FIG.-7*



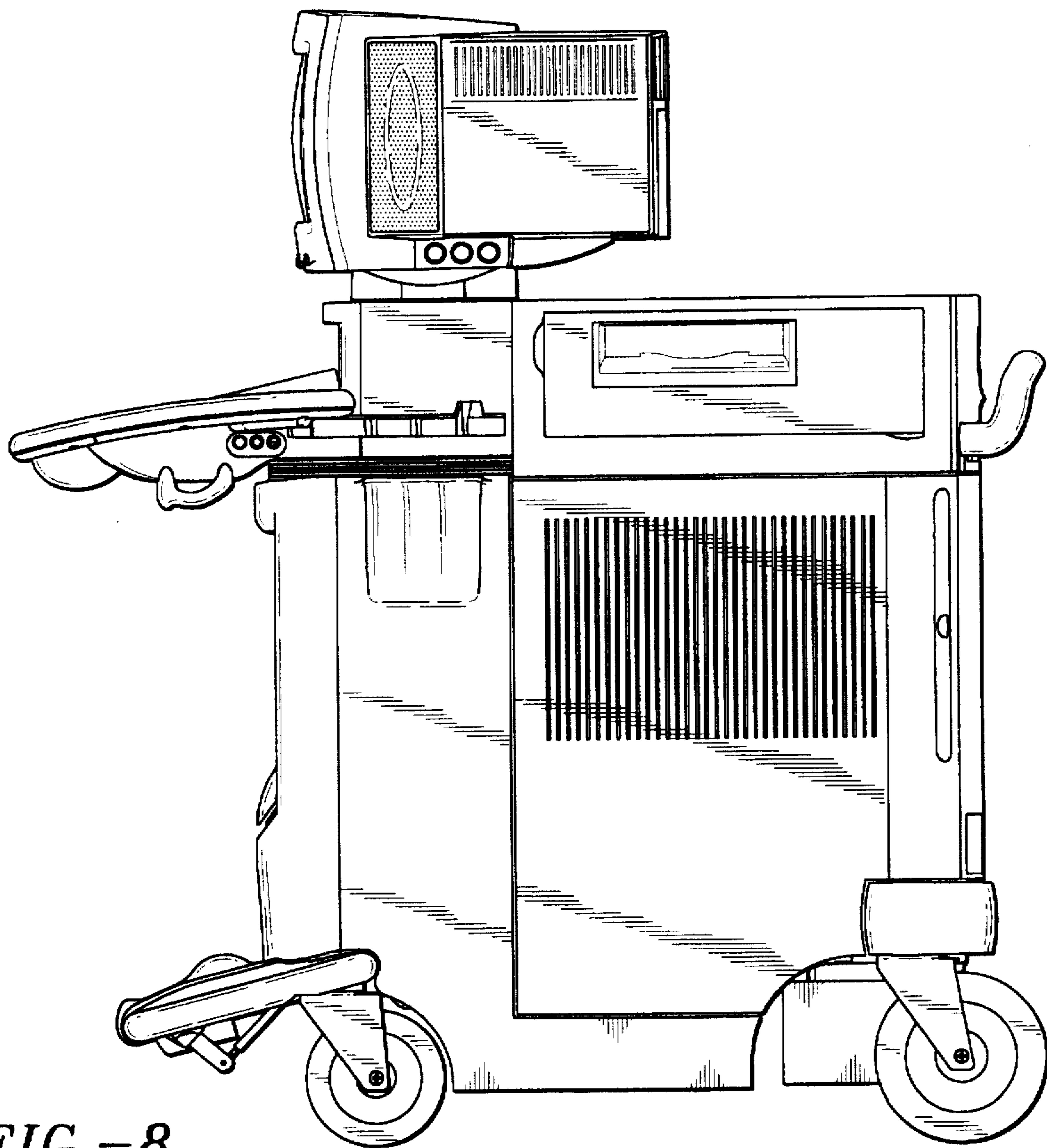
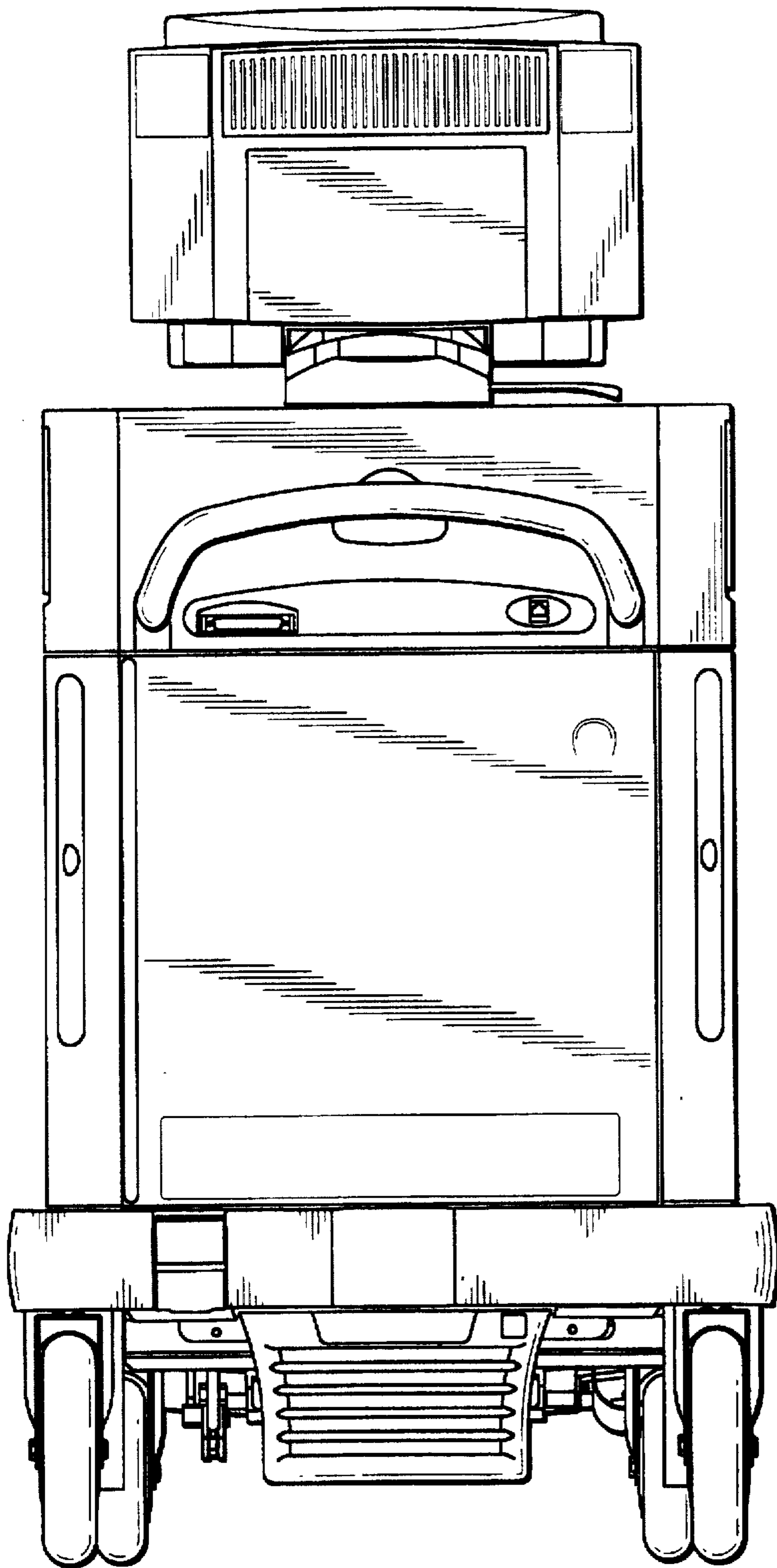


FIG.-8



*FIG. - 9*