



US00D394711S

**United States Patent** [19]  
**Toyama**

[11] **Patent Number:** **Des. 394,711**  
[45] **Date of Patent:** **\*\*May 26, 1998**

[54] **ROTOR FOR CENTRIFUGAL MACHINE**

[75] **Inventor:** **Masami Toyama, Kawaguchi, Japan**

[73] **Assignee:** **Kabushiki Kaisha Tomy Seikou, Tokyo, Japan**

[\*\*] **Term:** **14 Years**

[21] **Appl. No.:** **62,931**

[22] **Filed:** **Dec. 4, 1996**

[30] **Foreign Application Priority Data**

Jun. 7, 1996 [JP] Japan ..... 8-17007

[51] **LOC (6) Cl.** ..... **24-01**

[52] **U.S. Cl.** ..... **D24/219**

[58] **Field of Search** ..... D24/216, 219,  
D24/224, 227; 436/45; 68/23 R; 211/14,  
74, 73, 78, 128, 163

[56] **References Cited**

**U.S. PATENT DOCUMENTS**

2,704,928 3/1955 Curry ..... 211/74 X

3,464,567 9/1969 Gowdy et al. .... D11/74  
3,643,812 2/1972 Mander et al. .... 211/74  
4,295,601 10/1981 Cowell ..... 211/74 X  
5,514,343 5/1996 Verwohlt et al. .... 211/74 X

*Primary Examiner*—Stella Reid  
*Attorney, Agent, or Firm*—Varndell Legal Group

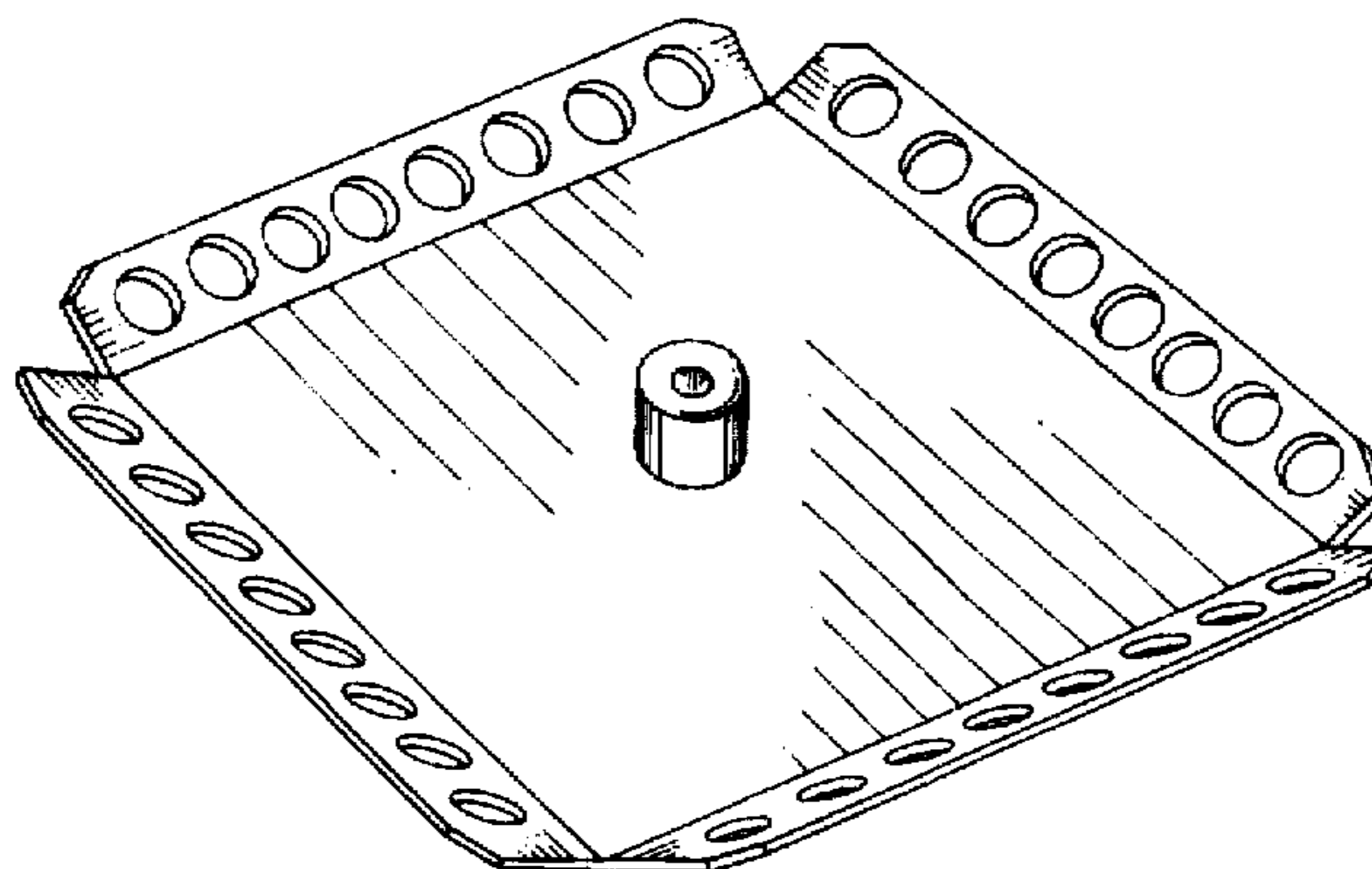
[57] **CLAIM**

The ornamental design for a rotor for centrifugal machine, substantially as shown and described.

**DESCRIPTION**

FIG. 1 is a perspective view of the rotor for centrifugal machine showing my new design;  
FIG. 2 is a front elevational view thereof;  
FIG. 3 is a rear elevational view thereof;  
FIG. 4 is a right side elevational view thereof, the left side elevational view being identical thereto;  
FIG. 5 is a top plan view thereof, the bottom plan view being identical thereto;  
FIG. 6 is a sectional view taken along line 6—6 of FIG. 2; and,  
FIG. 7 is a sectional view taken along line 7—7 of FIG. 2.

**1 Claim, 4 Drawing Sheets**



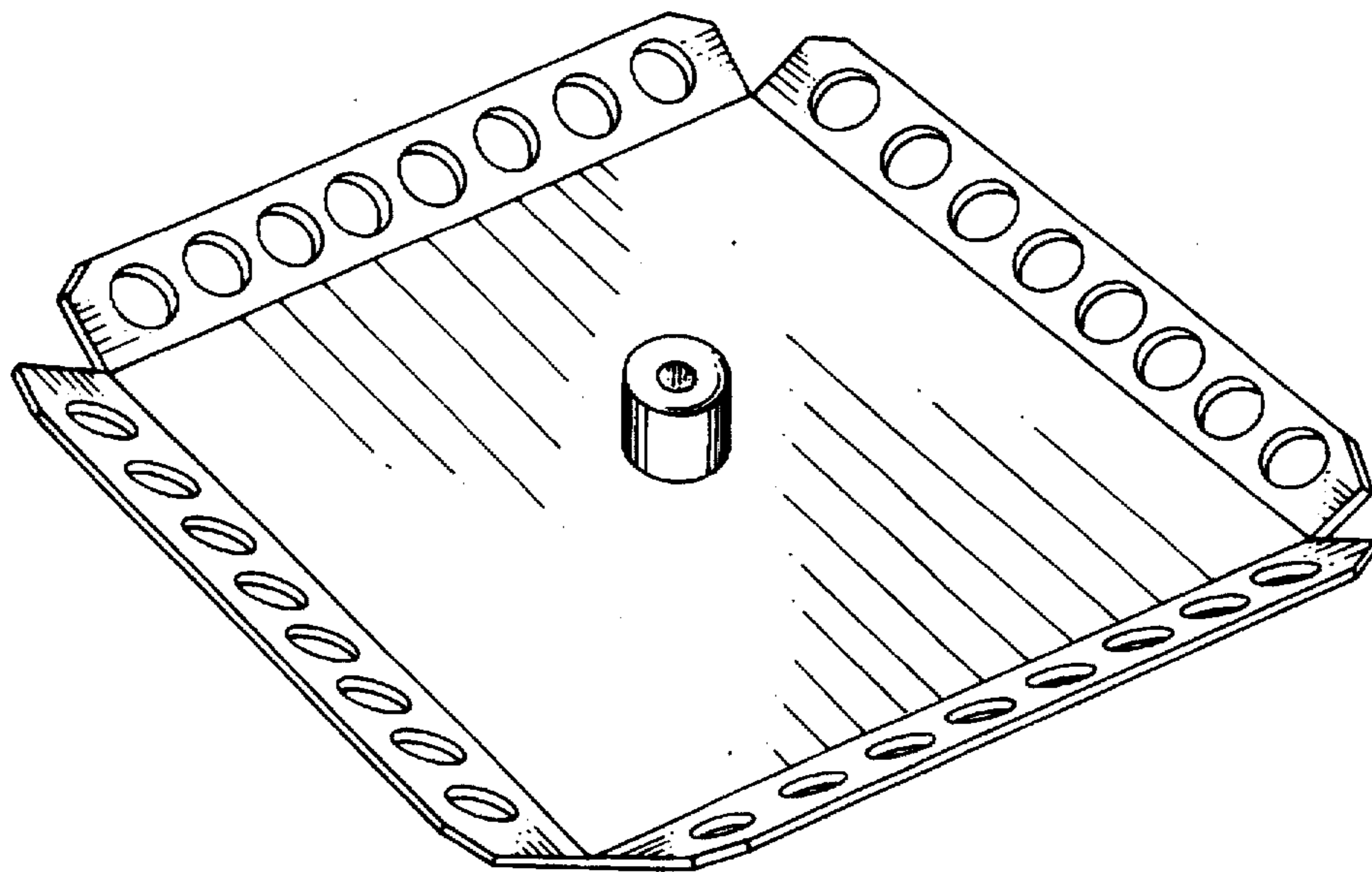


Fig. 1

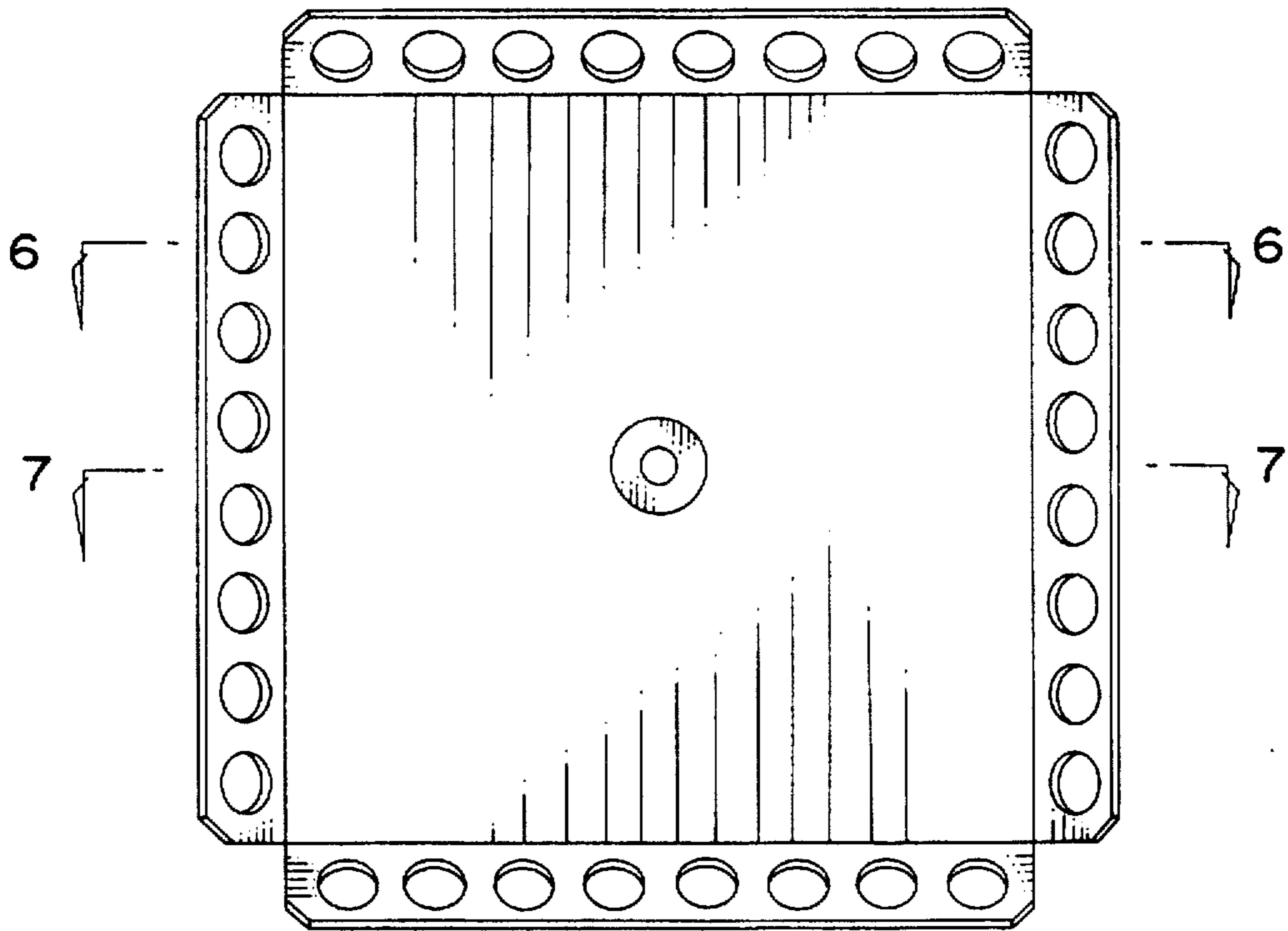


Fig. 2

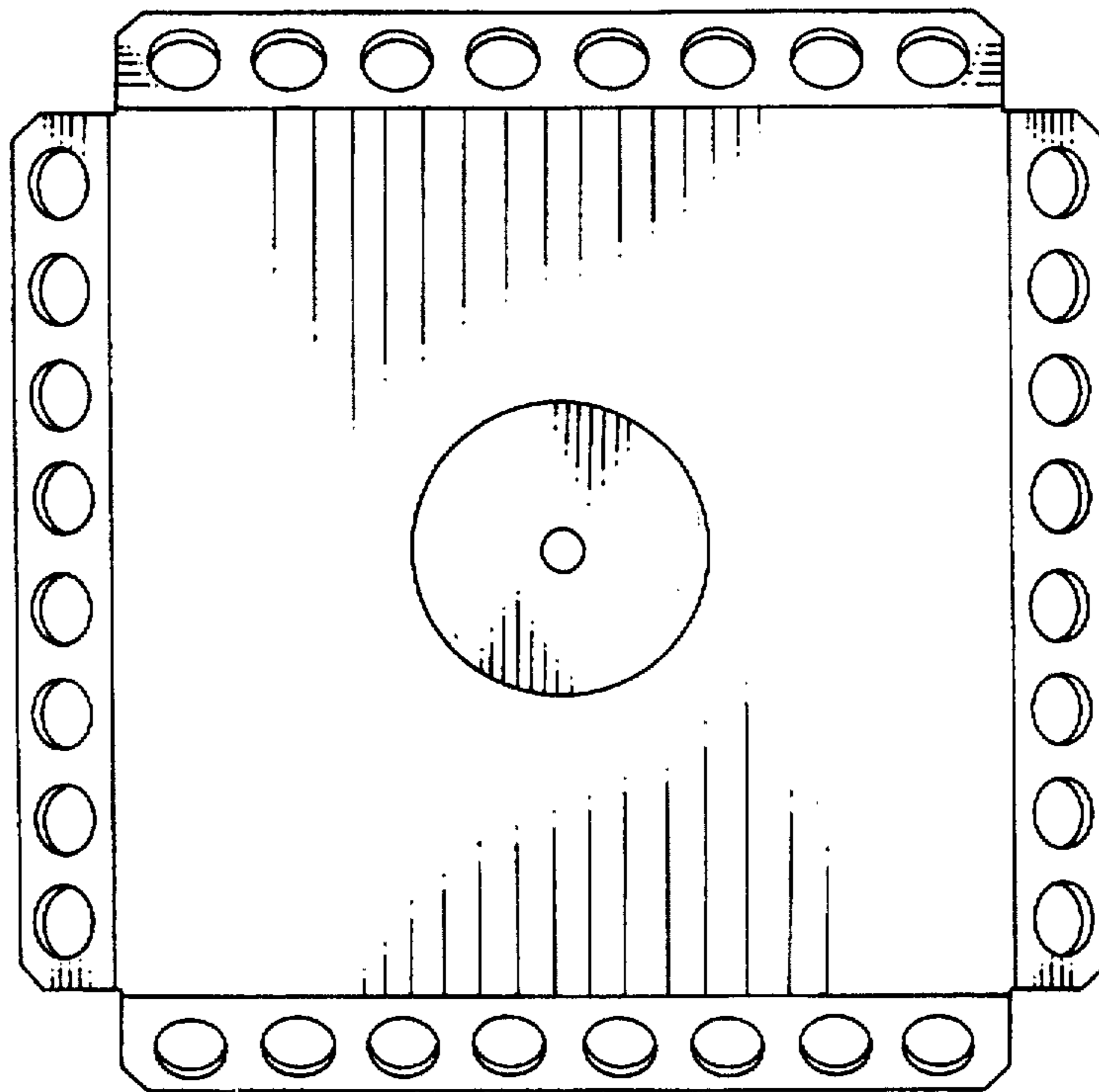


Fig. 3

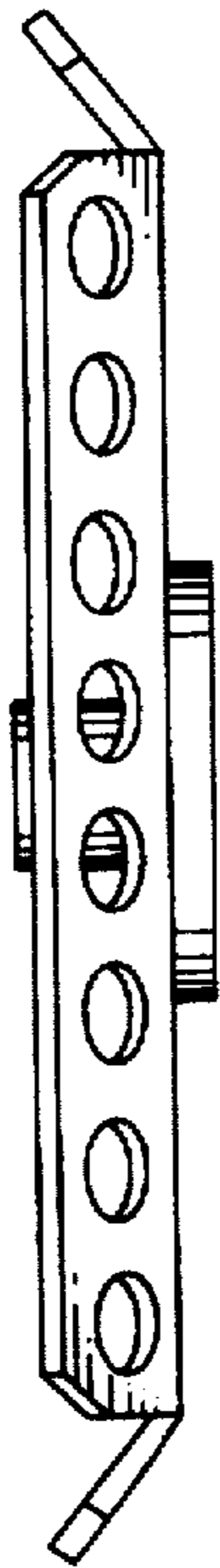


Fig. 4



Fig. 5



Fig. 6

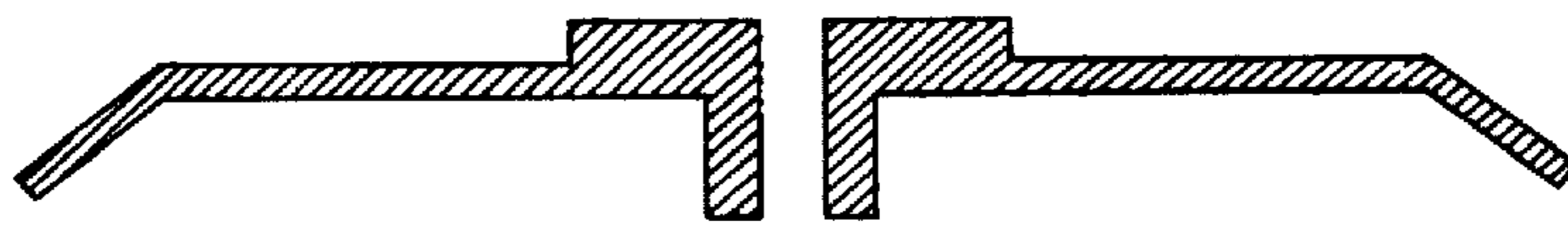


Fig. 7