

US00D394710S

United States Patent [19]

Toyama

[11] Patent Number: **Des. 394,710**

[45] Date of Patent: ****May 26, 1998**

[54] ROTOR FOR CENTRIFUGAL MACHINE

[75] Inventor: **Masami Toyama, Kawaguchi, Japan**

[73] Assignee: **Kabushiki Kaisha Tomy Seikou, Tokyo, Japan**

[**] Term: **14 Years**

[21] Appl. No.: **62,930**

[22] Filed: **Dec. 4, 1996**

[30] **Foreign Application Priority Data**

Jun. 7, 1996 [JP] Japan 8-17006

[51] LOC (6) Cl. **24-01**

[52] U.S. Cl. **D24/219**

[58] Field of Search D24/216, 219, D24/224, 227; 436/45; 68/23 R; 211/14, 74, 73, 78, 128, 163

[56] **References Cited**

U.S. PATENT DOCUMENTS

D. 165,620 1/1952 Via D24/219

D. 335,930	5/1993	Tominaga	D24/219
1,092,682	4/1914	Weber	211/14
2,755,018	7/1956	Grela et al.	D24/224 X
4,855,110	8/1989	Marker et al.	211/74 X

Primary Examiner—Stella Reid
Attorney, Agent, or Firm—Varndell Legal Group

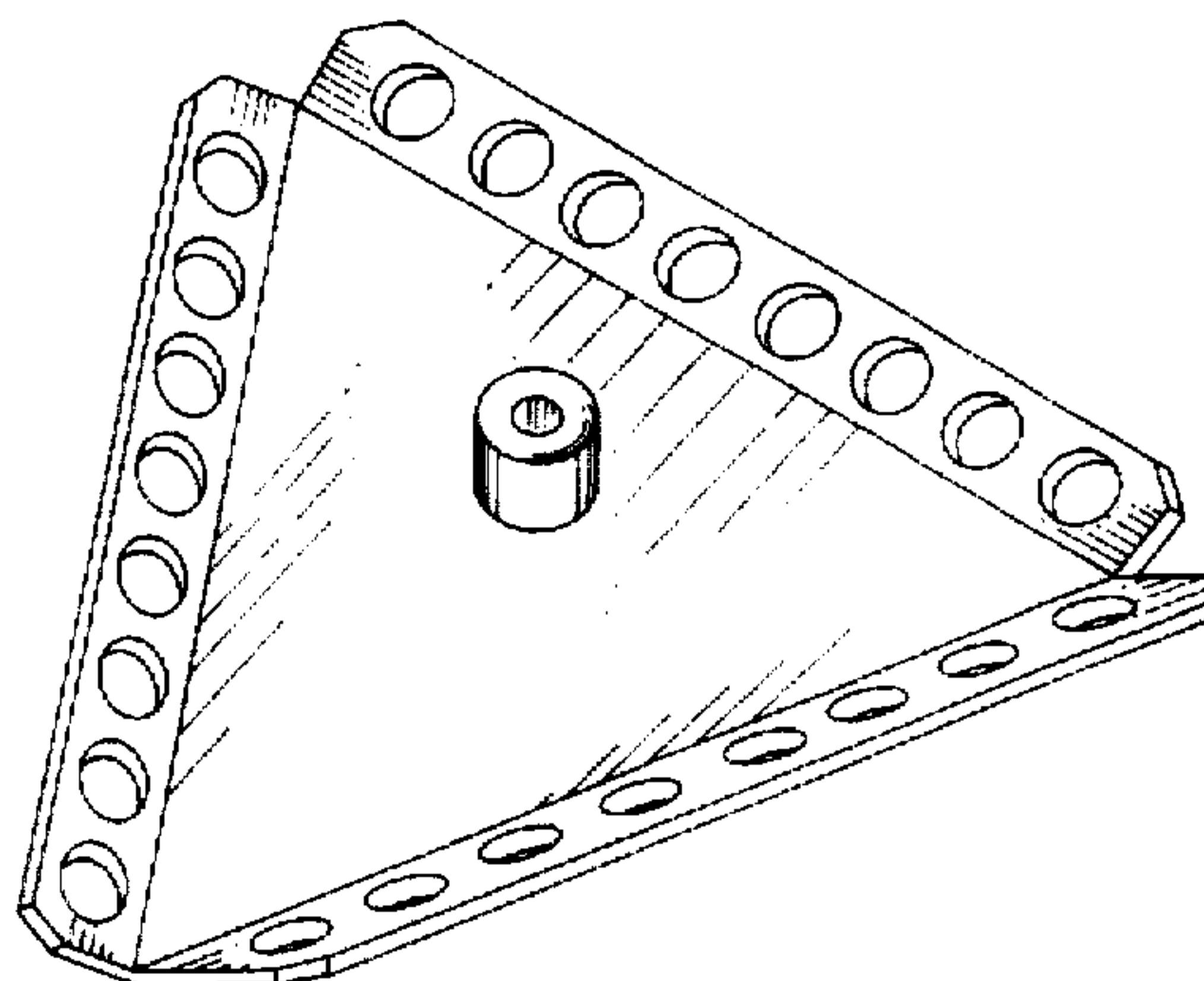
[57] **CLAIM**

The ornamental design for a rotor for centrifugal machine, substantially as shown and described.

DESCRIPTION

FIG. 1 is a perspective view of the rotor for centrifugal machine showing my new design;
FIG. 2 is a front elevational view thereof;
FIG. 3 is a rear elevational view thereof;
FIG. 4 is a right side elevational view thereof, the left side elevational view being identical thereto;
FIG. 5 is a bottom plan view thereof;
FIG. 6 is a right side elevational view thereof, the left side elevational view being identical thereto; and;
FIG. 7 is a sectional view taken along line 7—7 of FIG. 2.

1 Claim, 4 Drawing Sheets



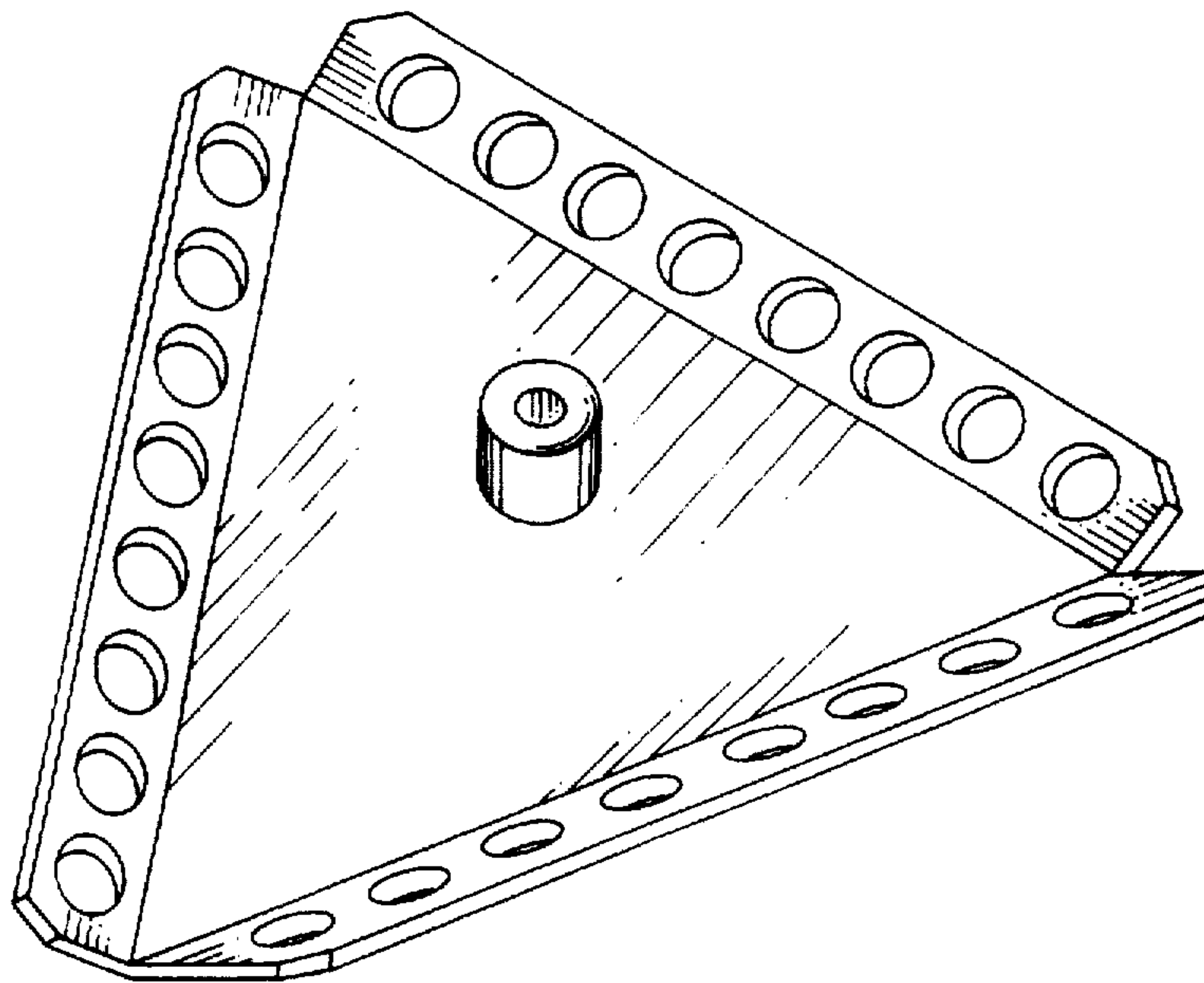


Fig. 1

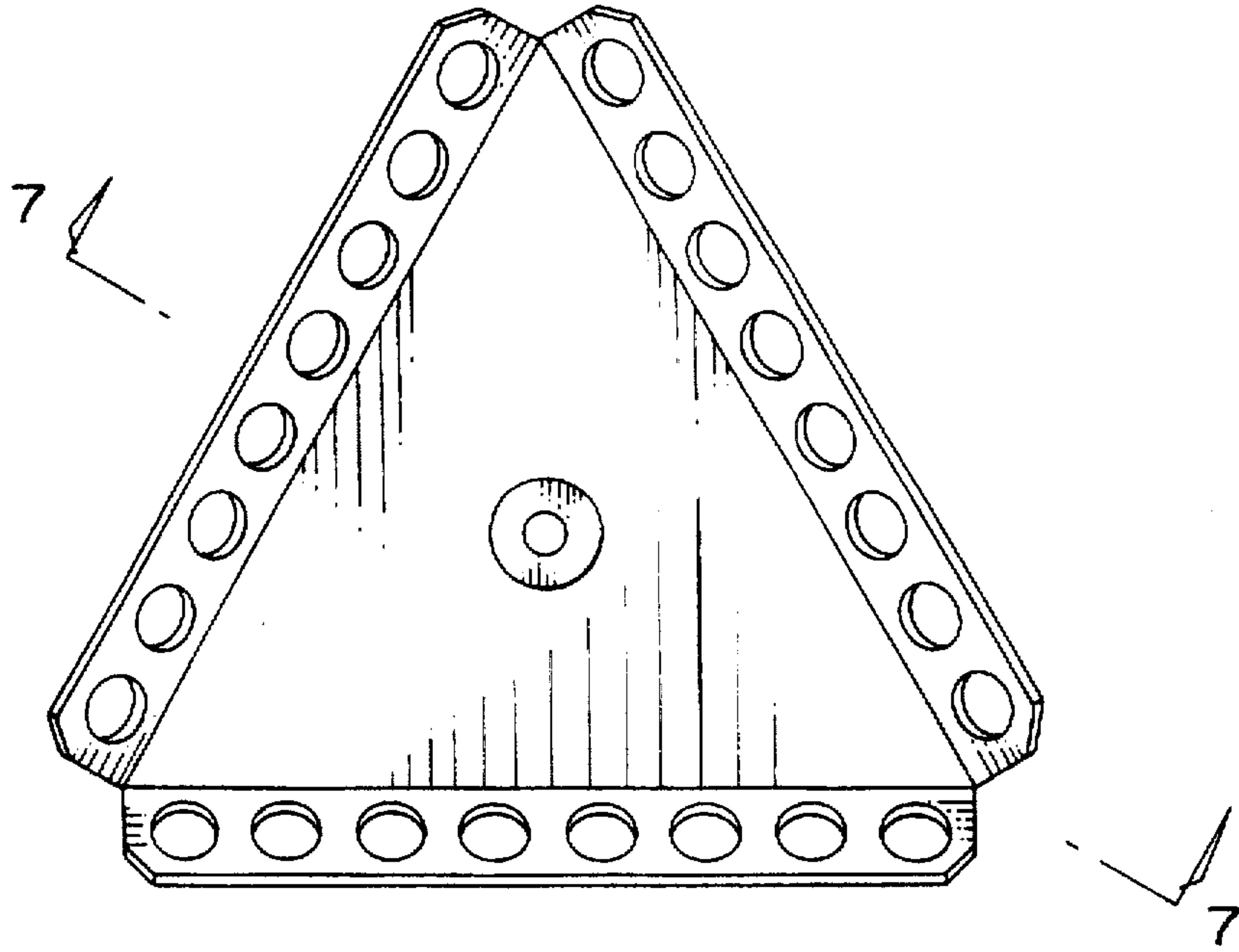


Fig. 2

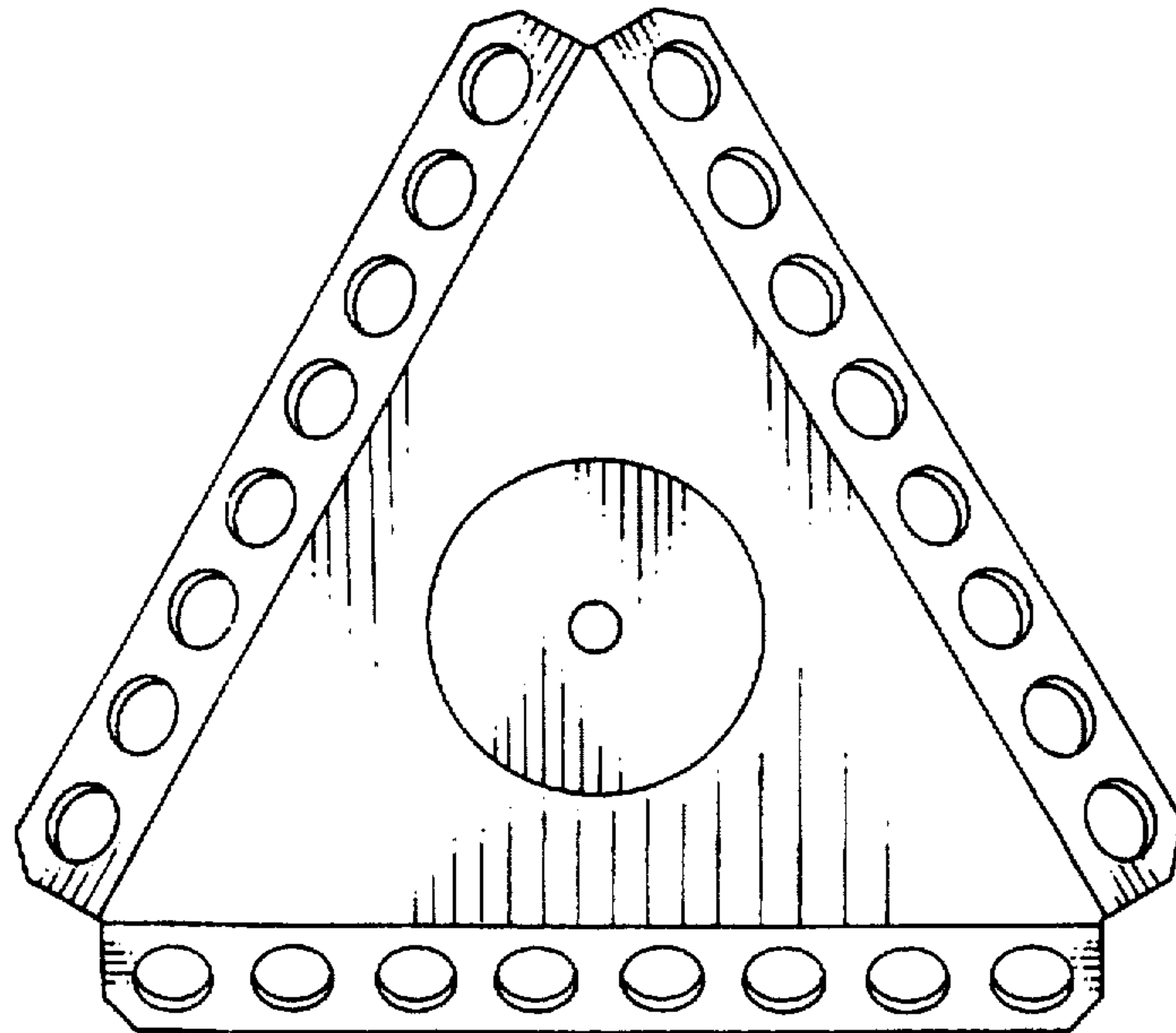


Fig. 3

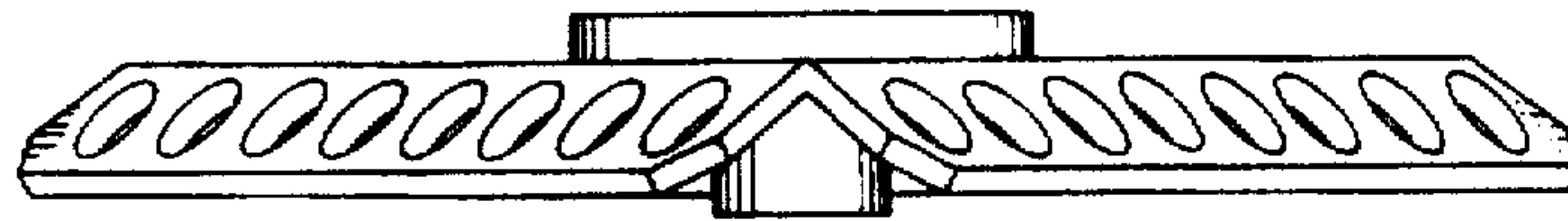


Fig. 4

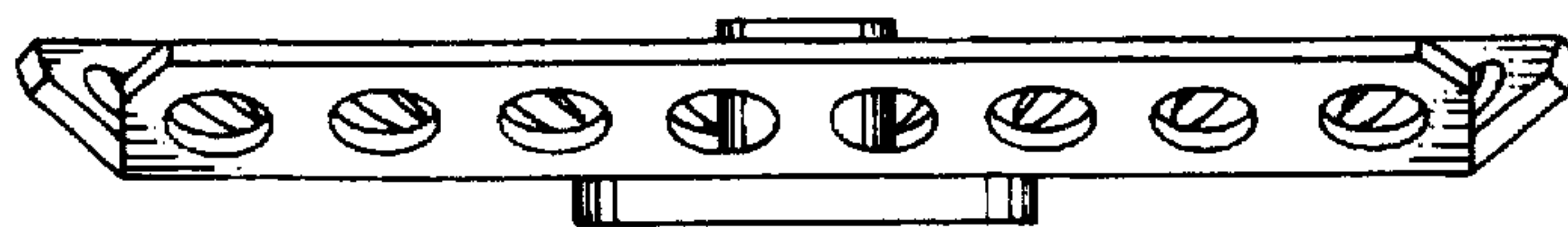


Fig. 5

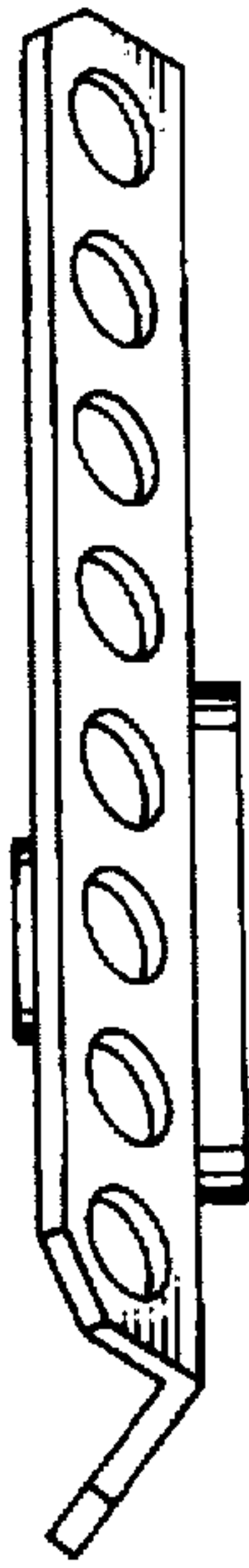


Fig. 6

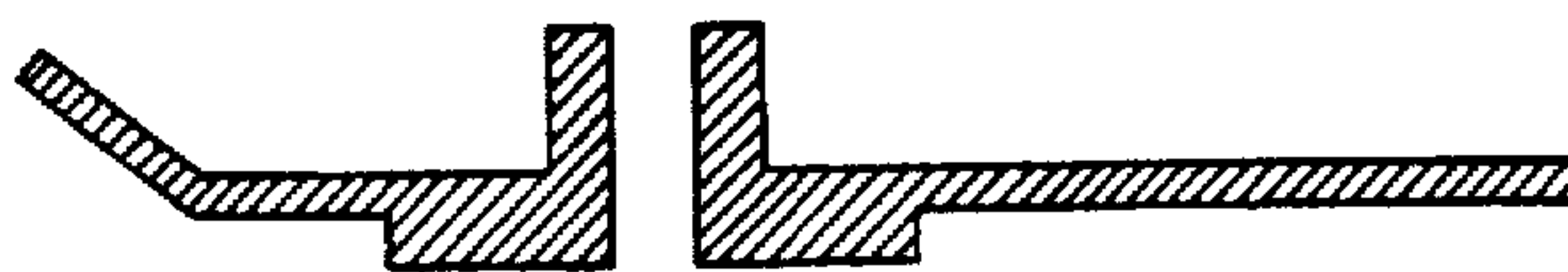


Fig. 7