



US00D394708S

**United States Patent** [19]  
**Toyama**

[11] **Patent Number: Des. 394,708**  
[45] **Date of Patent: \*\*May 26, 1998**

[54] **ROTOR FOR CENTRIFUGAL MACHINE**

[75] **Inventor: Masami Toyama, Kawaguchi, Japan**

[73] **Assignee: Kabushiki Kaisha Tomy Seikou, Tokyo, Japan**

[\*\*] **Term: 14 Years**

[21] **Appl. No.: 62,928**

[22] **Filed: Dec. 4, 1996**

[30] **Foreign Application Priority Data**

Jun. 7, 1996 [JP] Japan ..... 8-17004

[51] **LOC (6) Cl. .... 24-01**

[52] **U.S. Cl. .... D24/219**

[58] **Field of Search .... D24/216, 219, D24/224, 227; 436/45; 68/23 R; 214/14, 74, 73, 78, 129, 163**

[56] **References Cited**

**U.S. PATENT DOCUMENTS**

D. 150,414 8/1948 Gulley ..... 211/14 X

D. 231,924 6/1974 Pollard ..... D24/219  
2,189,989 2/1940 Lichtman ..... 211/74  
3,184,071 5/1965 Delaire ..... 211/74  
4,295,601 10/1981 Cowell ..... D24/227 X

*Primary Examiner*—Stella Reid  
*Attorney, Agent, or Firm*—Varndell Legal Group

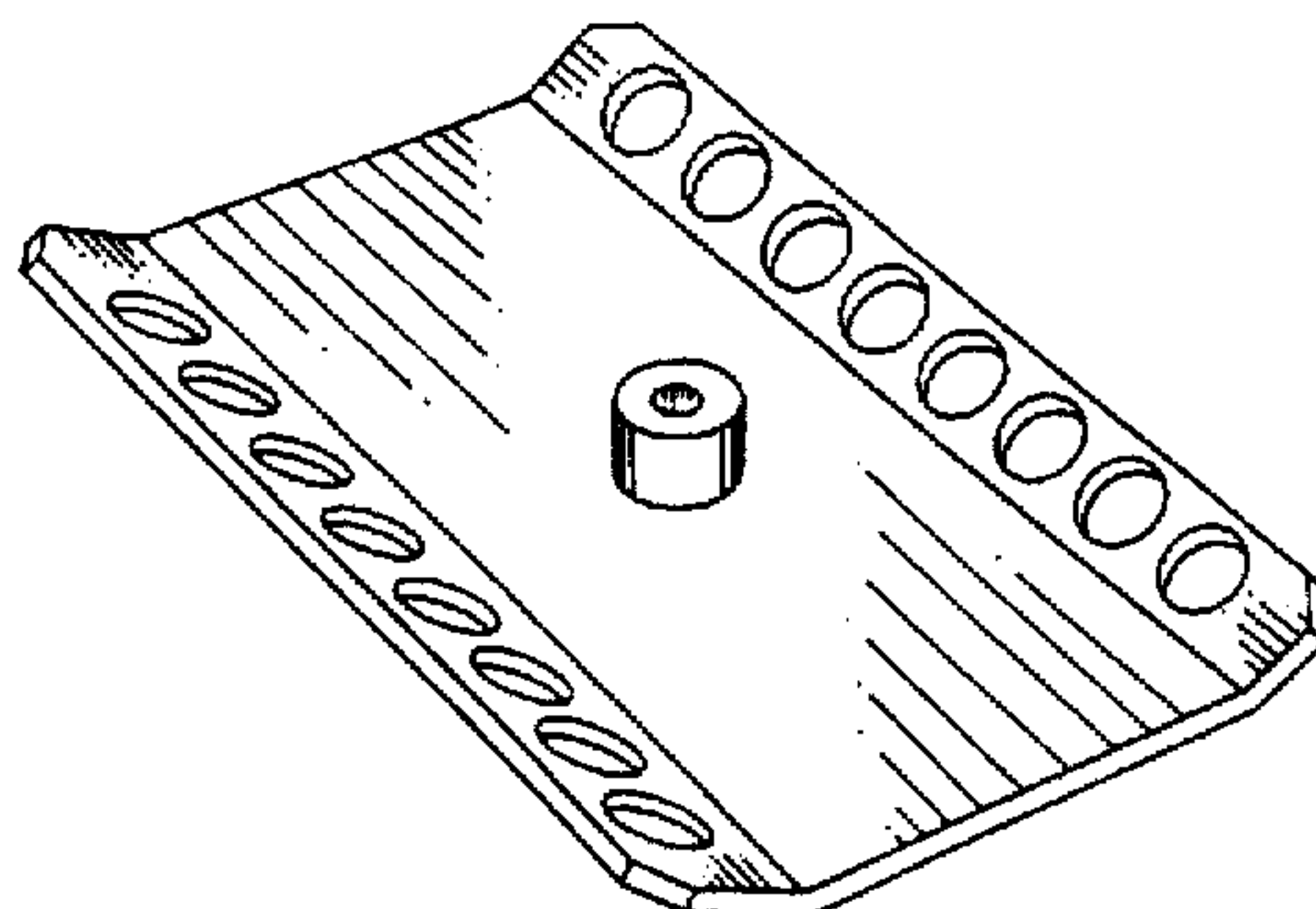
[57] **CLAIM**

The ornamental design for a rotor for centrifugal machine, as shown and described.

**DESCRIPTION**

Fig. 1 is a perspective view of the rotor for centrifugal machine showing my new design;  
FIG. 2 is a front elevational view thereof;  
FIG. 3 is a rear elevational view thereof;  
FIG. 4 is a right side elevational view thereof, the left side elevational view being identical thereto;  
FIG. 5 is a top plan view thereof, the bottom plan view being identical thereto;  
FIG. 6 is a sectional view taken along line 6—6 of FIG. 2; and,  
FIG. 7 is a sectional view taken along line 7—7 of FIG. 2.

**1 Claim, 4 Drawing Sheets**



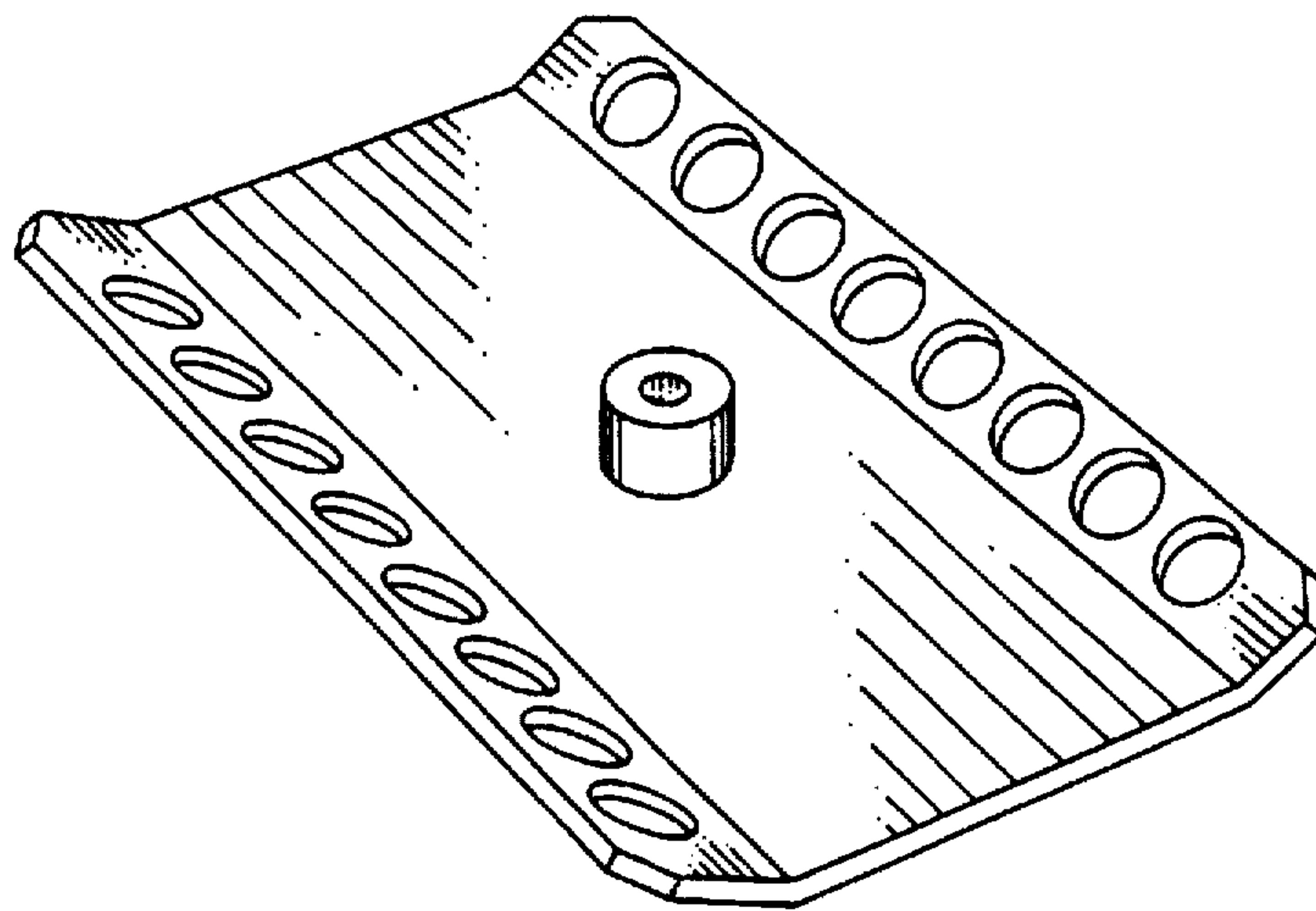


Fig. 1

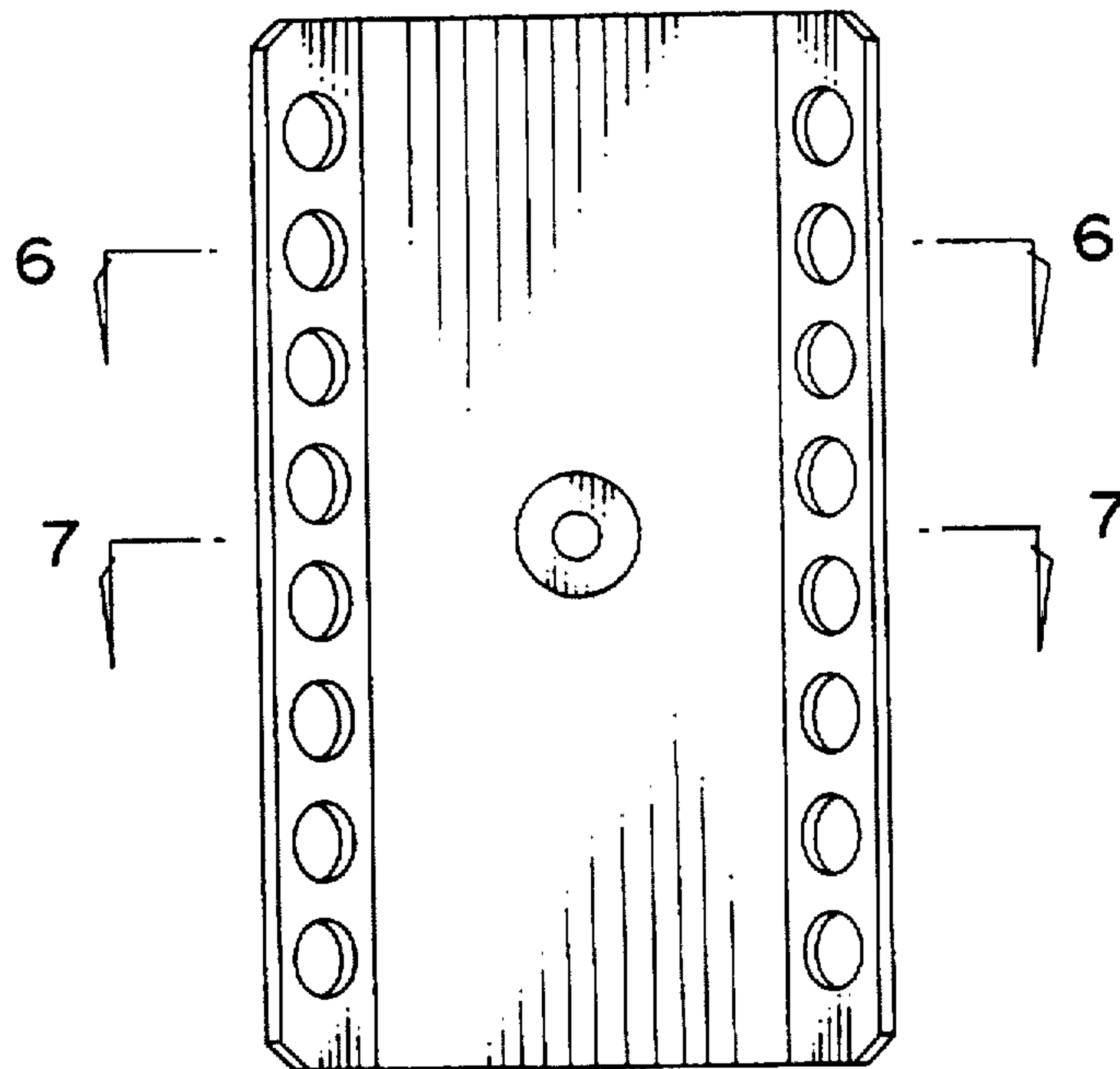


Fig.2

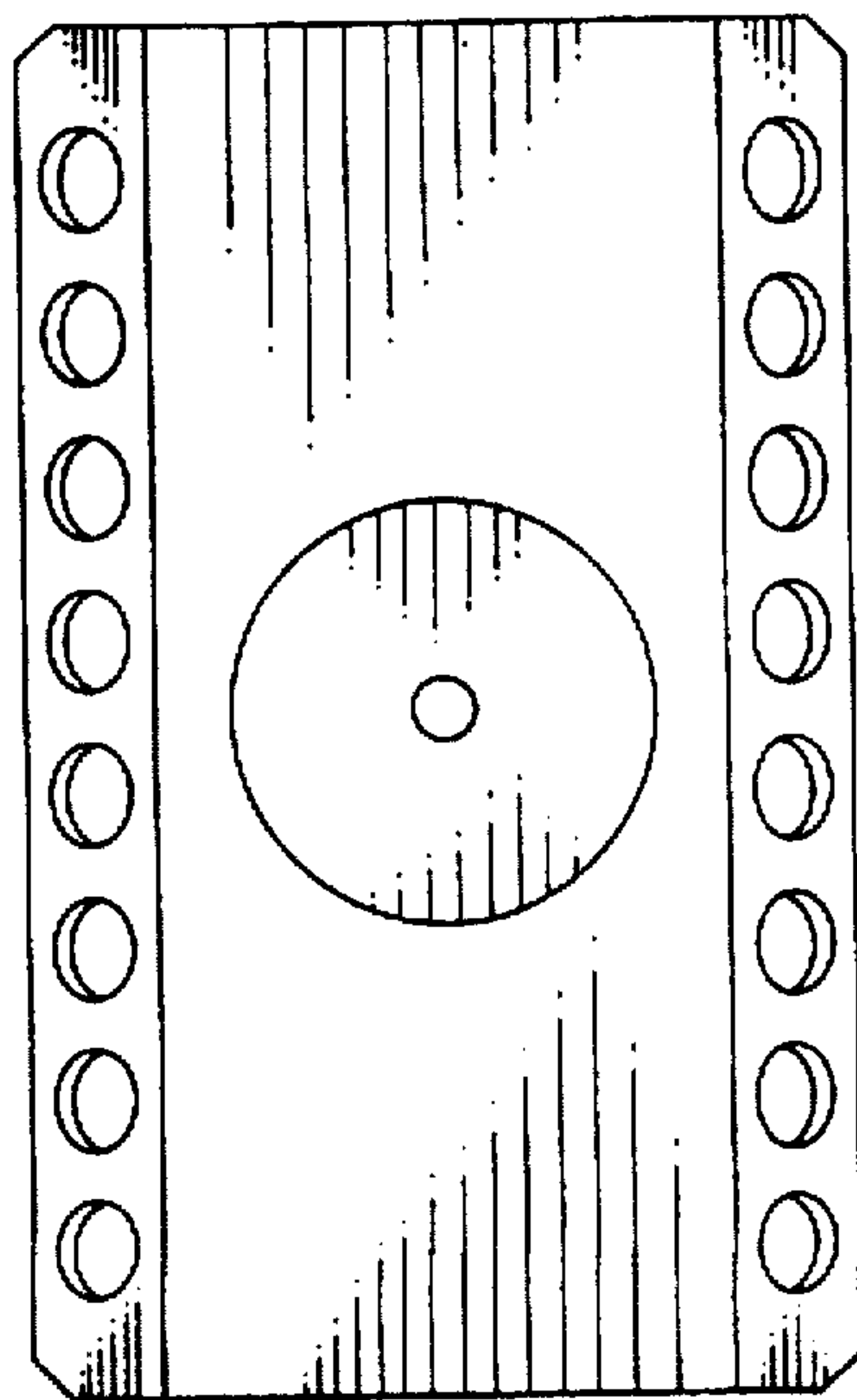


Fig.3



Fig. 4

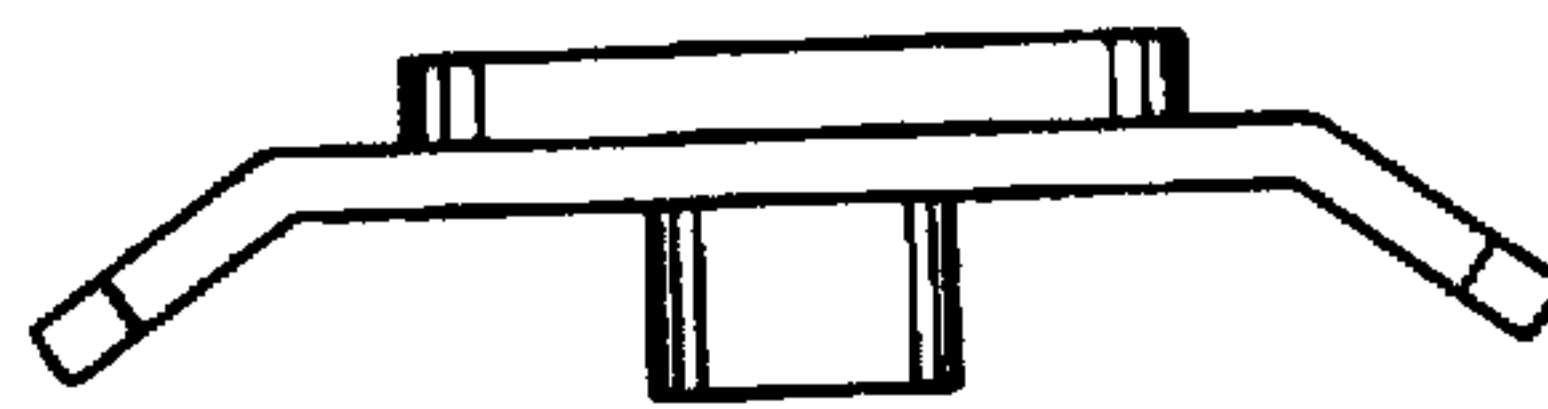


Fig. 5

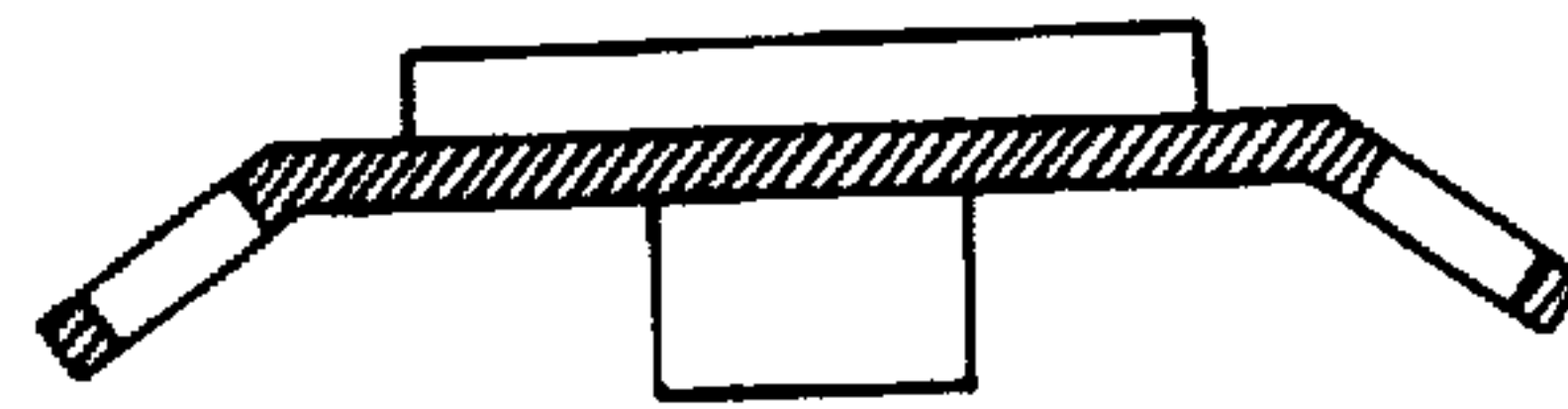


Fig. 6

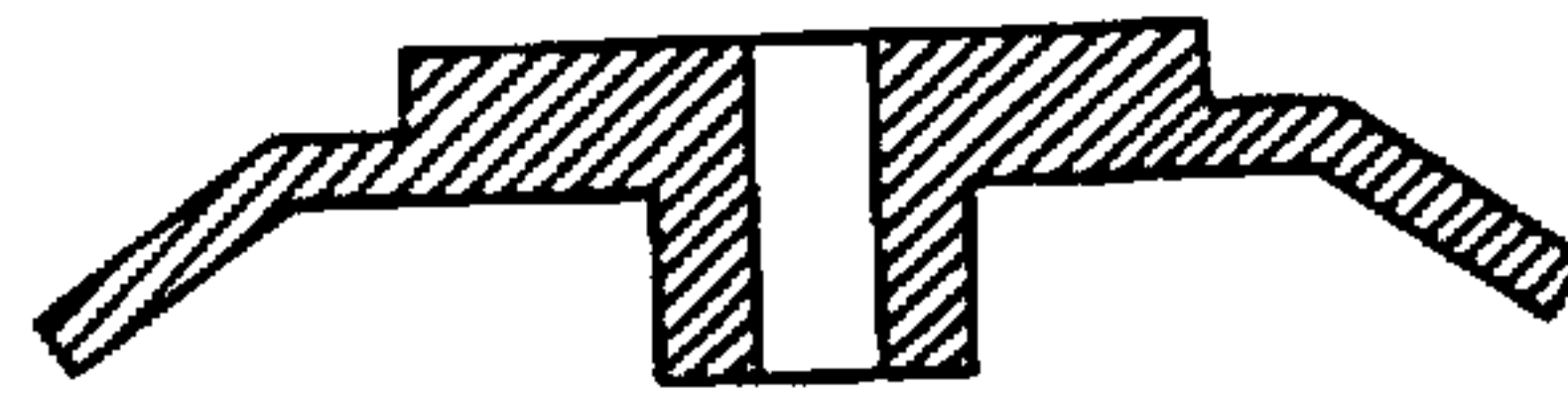


Fig. 7