



US00D394701S

United States Patent [19]

Kohler, Jr. et al.

[11] Patent Number: Des. 394,701

[45] Date of Patent: **May 26, 1998

[54] HANDLE FOR A PLUMBING FITTING

[75] Inventors: **Herbert V. Kohler, Jr.**, Kohler; **Erich D. Slothower**, Sheboygan, both of Wis.

[73] Assignee: **Kohler Co.**, Kohler, Wis.

[**] Term: 14 Years

[21] Appl. No.: 63,627

[22] Filed: Dec. 10, 1996

[51] LOC (6) Cl. 23-01

[52] U.S. Cl. D23/250

[58] Field of Search D23/238-243,
D23/250-257; 4/675-678; 16/110 R. 118,
121, 123, 125; 137/801

[56] **References Cited**

U.S. PATENT DOCUMENTS

D. 279,403	6/1985	Domad	D23/250
D. 287,270	12/1986	Yost	D23/250
D. 304,971	12/1989	Yost	D23/250
D. 337,151	7/1993	Yost	D23/250
D. 347,267	5/1994	Yost	D23/250

OTHER PUBLICATIONS

1987 Kohler ad, pp. 2-66, showing sculptured acrylic handles.

Undated Kohler ad showing sculptured acrylic handles, admitted prior art.

Undated Kohler ad, p. 68, showing sculptured acrylic handles, admitted prior art.

Undated Artistic Brass ad showing various sculptured handles, admitted prior art.

Primary Examiner—Louis S. Zarfes
Assistant Examiner—Eric Watterson
Attorney, Agent, or Firm—Quarles & Brady

[57] **CLAIM**

The ornamental design for a handle for a plumbing fitting, as shown and described.

DESCRIPTION

FIG. 1 is a frontal, top perspective view of a handle for a plumbing fitting embodying our new design;

FIG. 2 is a top plan view thereof;

FIG. 3 is a bottom plan view thereof;

FIG. 4 is a front elevational view thereof, the rear, left side and right side elevational views being the same as the front elevational view; and,

FIG. 5 is a cross-sectional view taken along line 5-5 of FIG. 2.

1 Claim, 3 Drawing Sheets

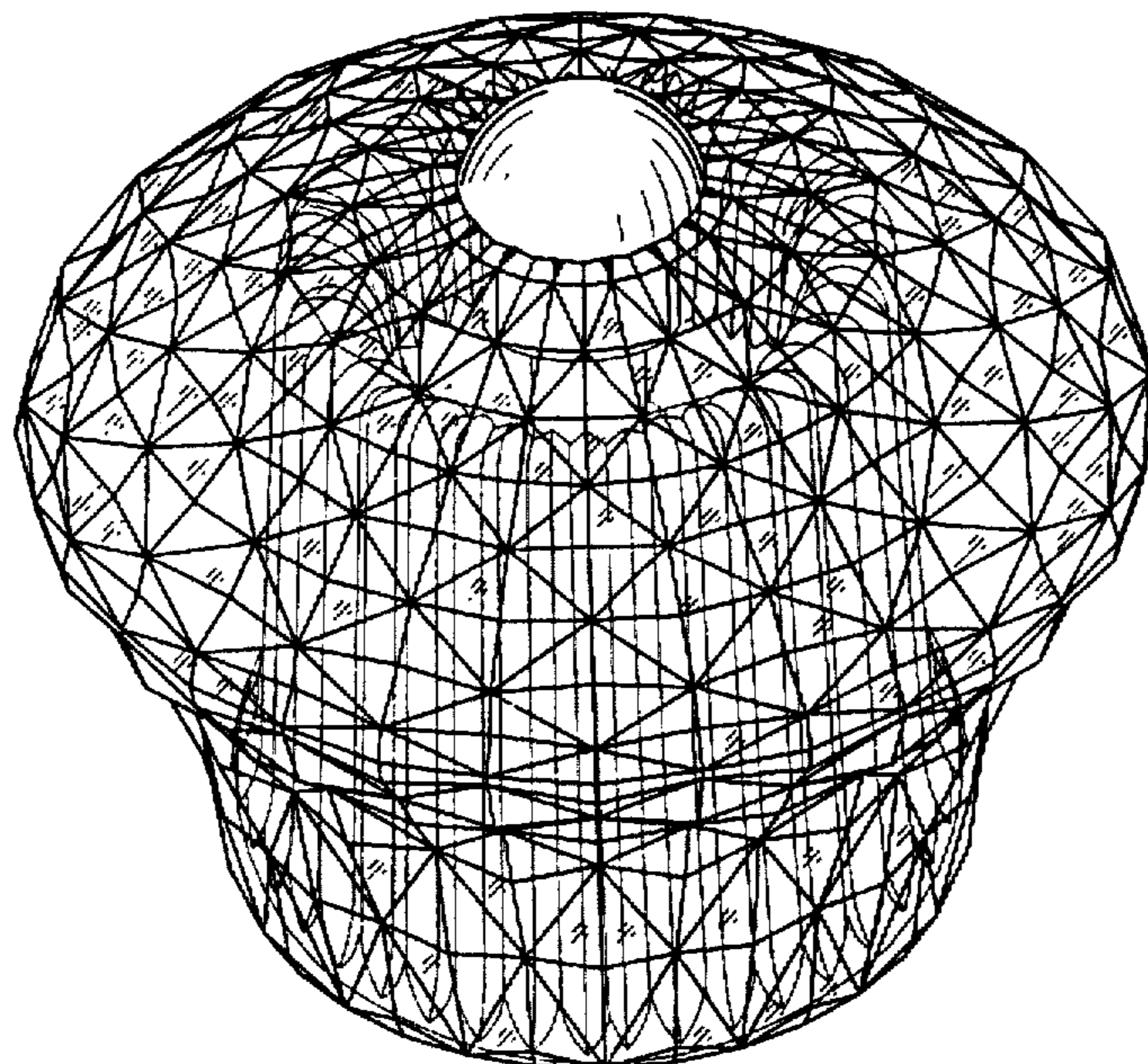


FIG. 1

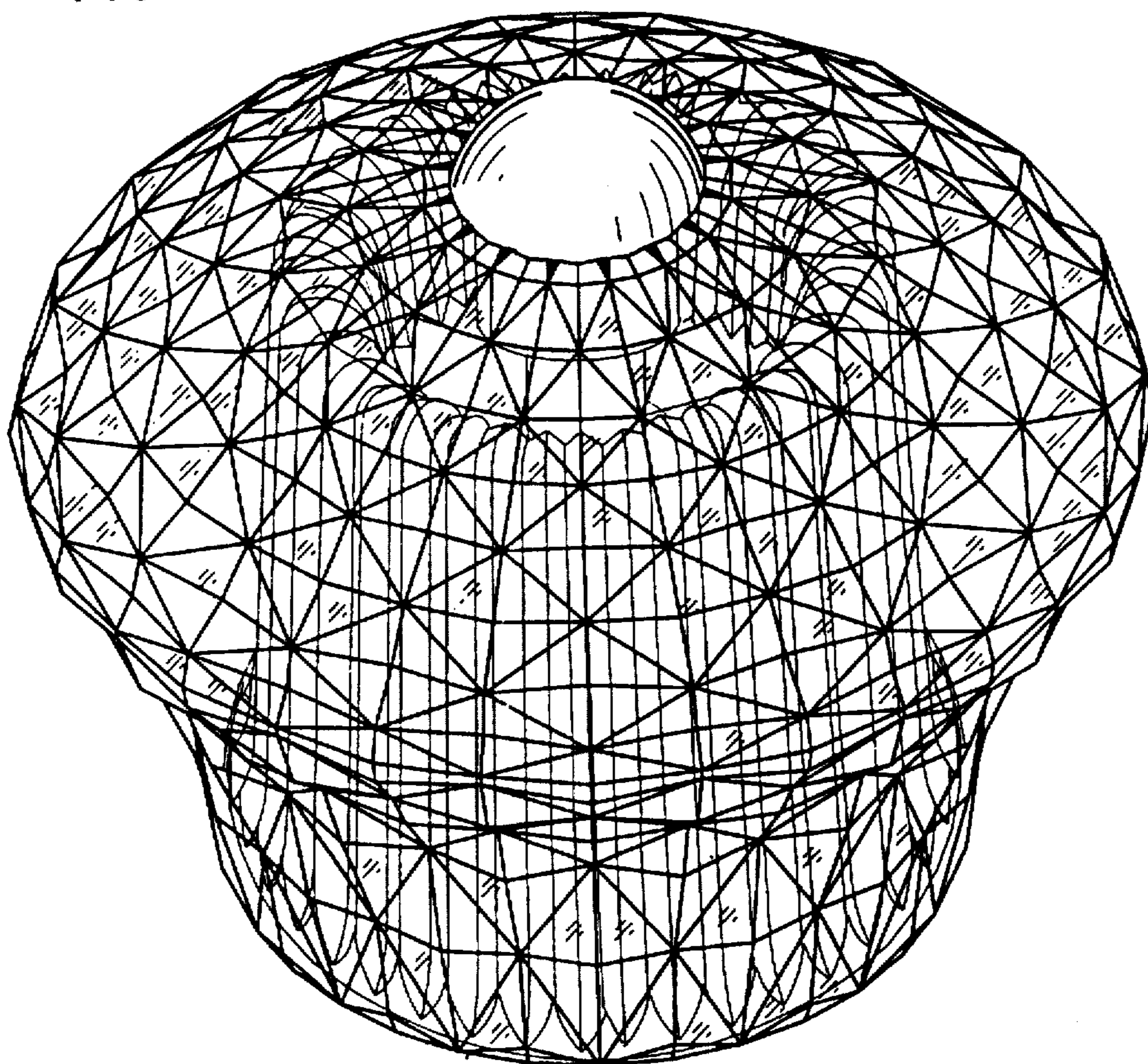


FIG. 2

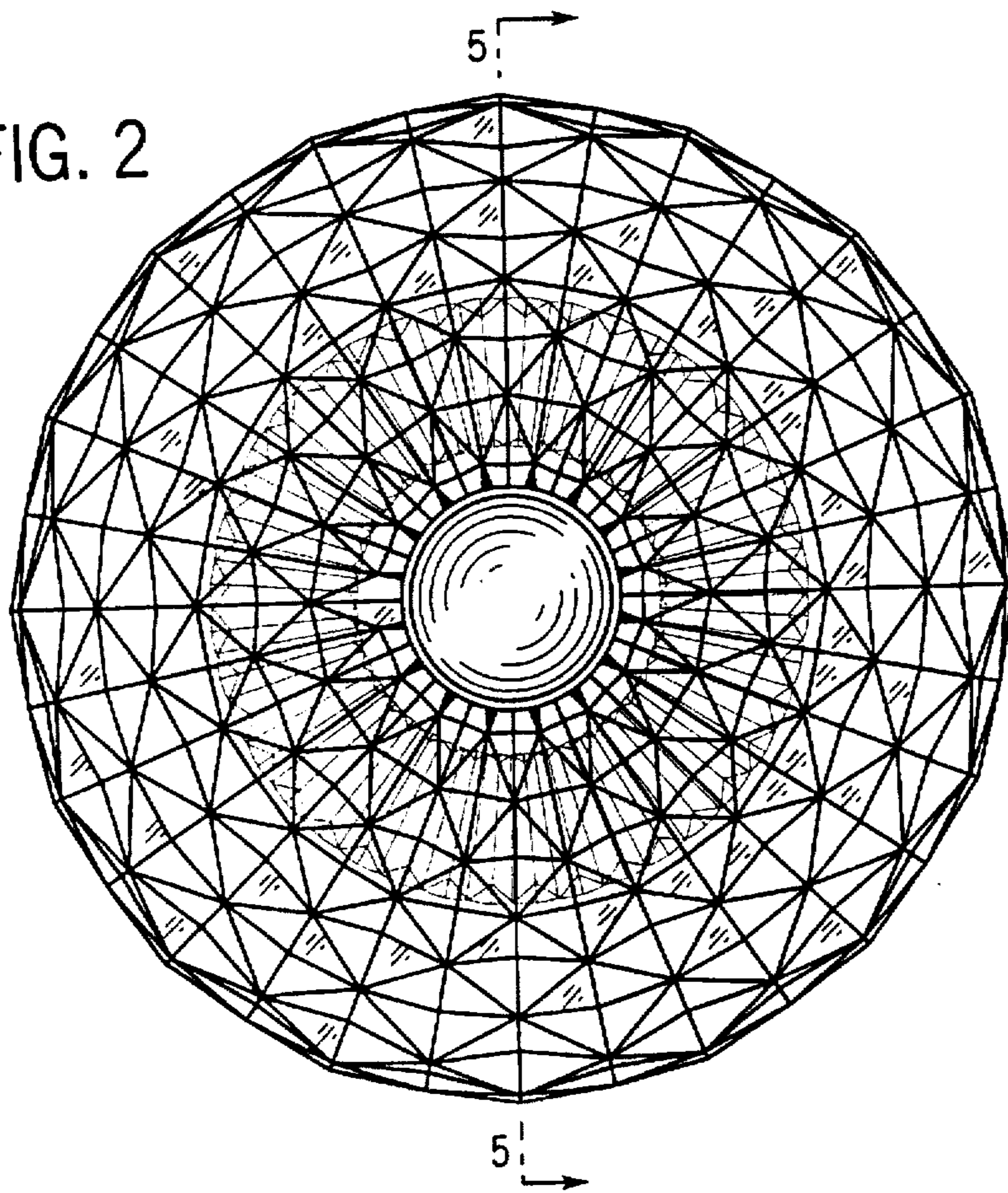


FIG. 3

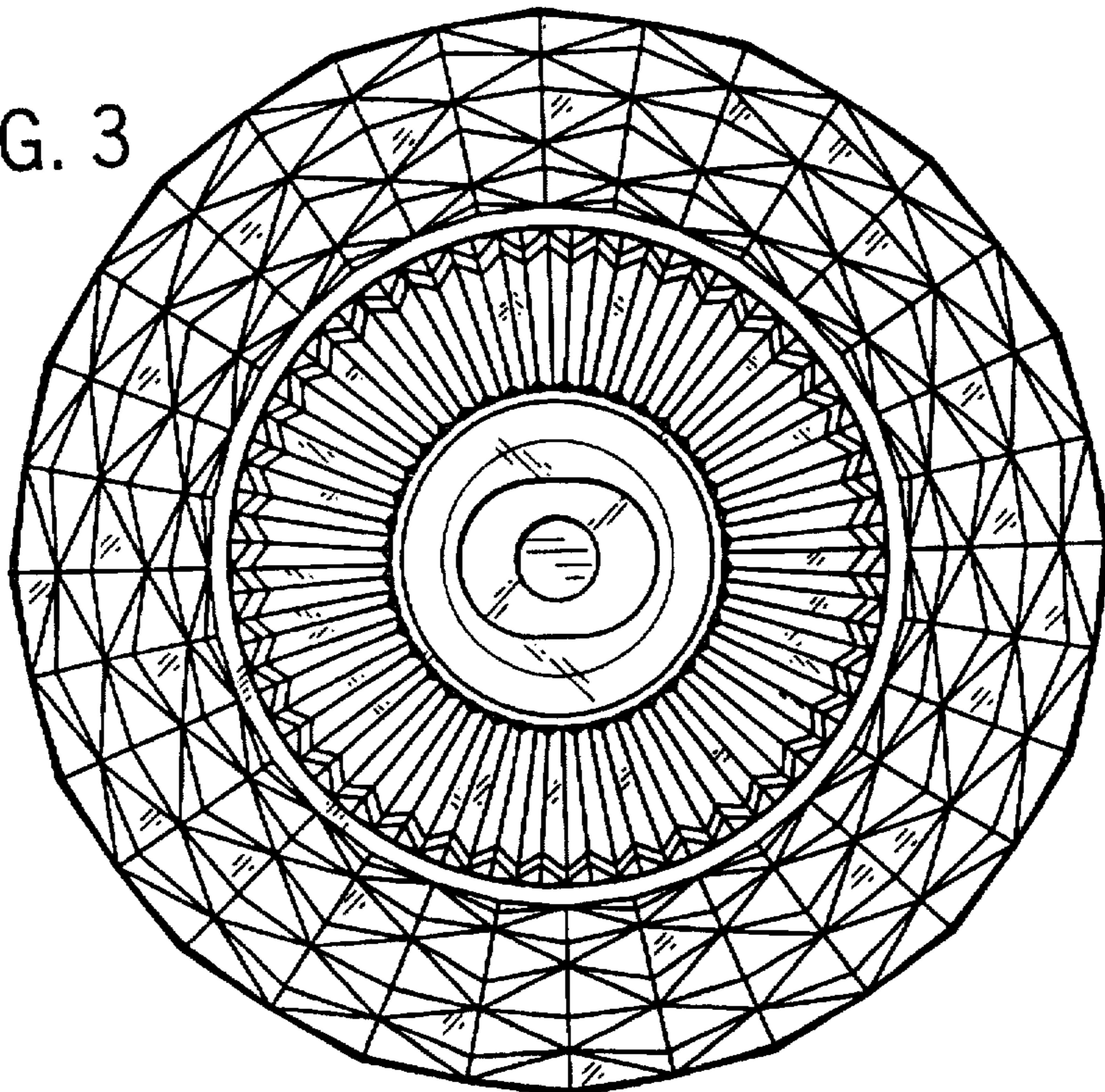


FIG. 4

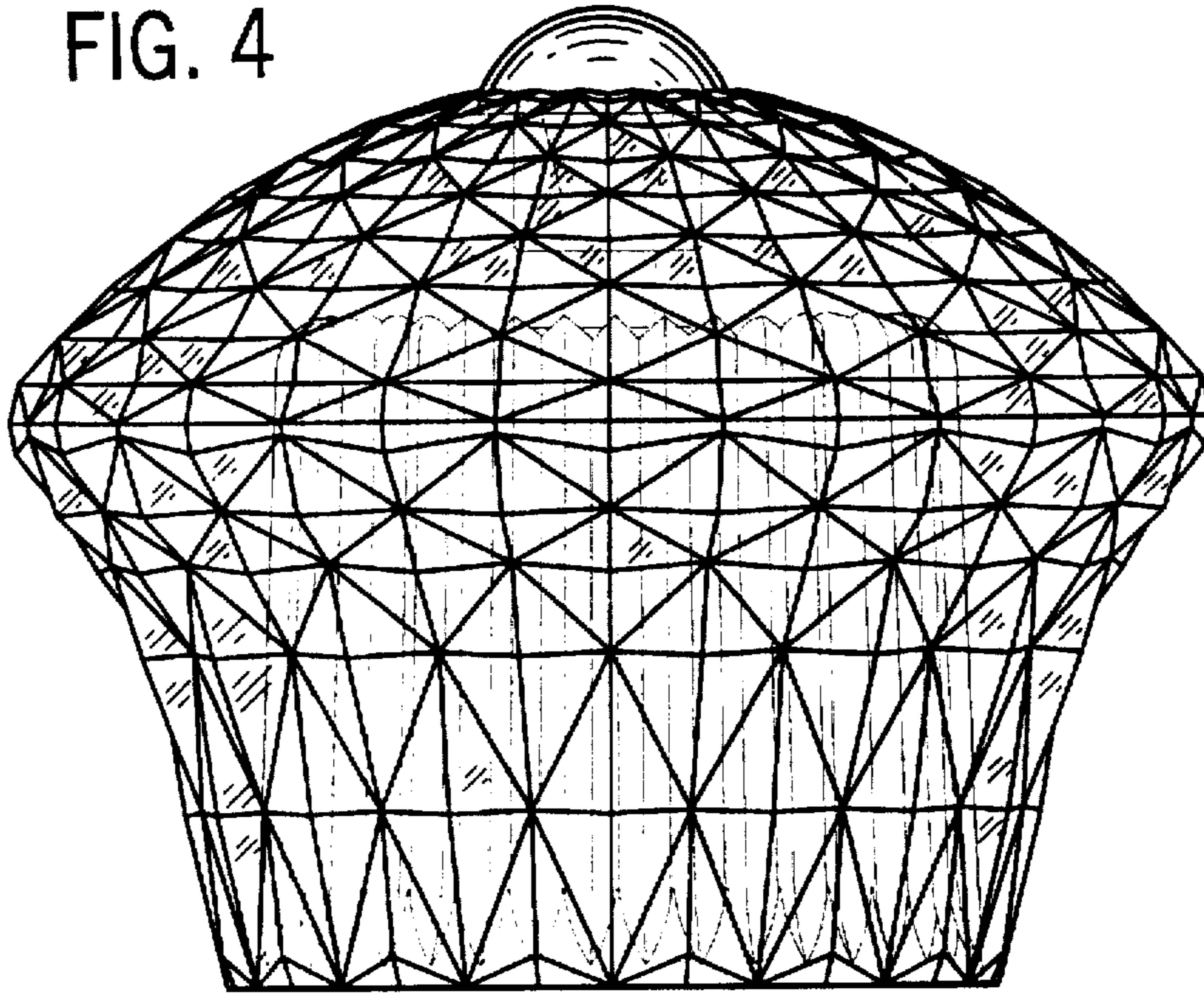


FIG. 5

