



US00D394700S

United States Patent [19] Emmins

[11] Patent Number: **Des. 394,700**
[45] Date of Patent: ****May 26, 1998**

[54] **DIAPHRAGM VALVE BODY**
[76] Inventor: **Douglas Harold Emmins**, Private Mail
Bag 51, Mannum, South Australia,
Australia
[**] Term: **14 Years**

3,374,522 3/1968 Boteler 251/331 X
3,802,462 4/1974 Trösch 137/556

FOREIGN PATENT DOCUMENTS

5060252 3/1993 Japan 251/331
800675 8/1958 United Kingdom 251/331
2231126 11/1990 United Kingdom 251/331

[21] Appl. No.: **45,684**
[22] Filed: **Oct. 26, 1995**
[30] **Foreign Application Priority Data**

Apr. 27, 1995 [AU] Australia 1257/95

[51] **LOC (6) Cl.** **23-01**
[52] **U.S. Cl.** **D23/248; D23/233**
[58] **Field of Search** **D23/233, 244,**
D23/247, 248, 262, 263; 285/31; 251/331,
61.1

Primary Examiner—Ted Shooman
Assistant Examiner—C. Tuttle
Attorney, Agent, or Firm—Evenson, McKeown, Edwards &
Lenahan, P.L.L.C.

[57] CLAIM

The ornamental design for a diaphragm valve body, as shown and described.

DESCRIPTION

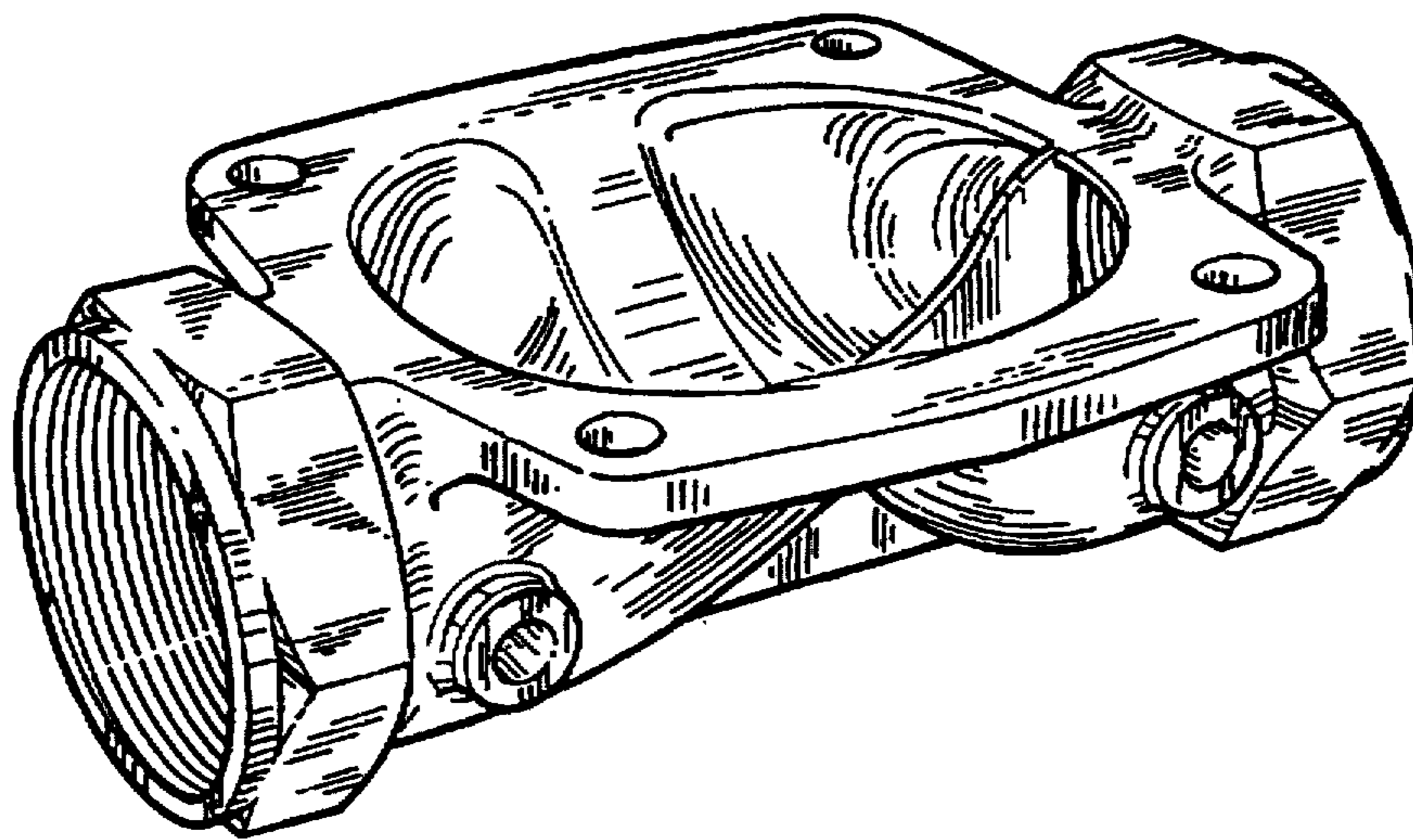
FIG. 1 is a top and side perspective view of my diaphragm valve body;
FIG. 2 is a further perspective view of my diaphragm valve body;
FIG. 3 is a underneath perspective view of my diaphragm valve body;
FIG. 4 is side view of my diaphragm valve body, the other side being the same;
FIG. 5 is a top plan view of my diaphragm valve body; and,
FIG. 6 is an underneath view of my diaphragm valve body.

[56] References Cited

U.S. PATENT DOCUMENTS

D. 98,363 1/1936 Nordstrom D23/248
D. 351,897 10/1994 Keeslar D23/233
1,299,047 4/1919 Snyder 285/31
2,302,930 11/1942 Anderson 251/331
2,579,982 12/1951 Trump 251/231 X
3,148,861 9/1964 McFarland, Jr. 251/331
3,154,286 10/1964 McFarland, Jr. 251/331
3,310,281 3/1967 Boteler 251/331

1 Claim, 2 Drawing Sheets



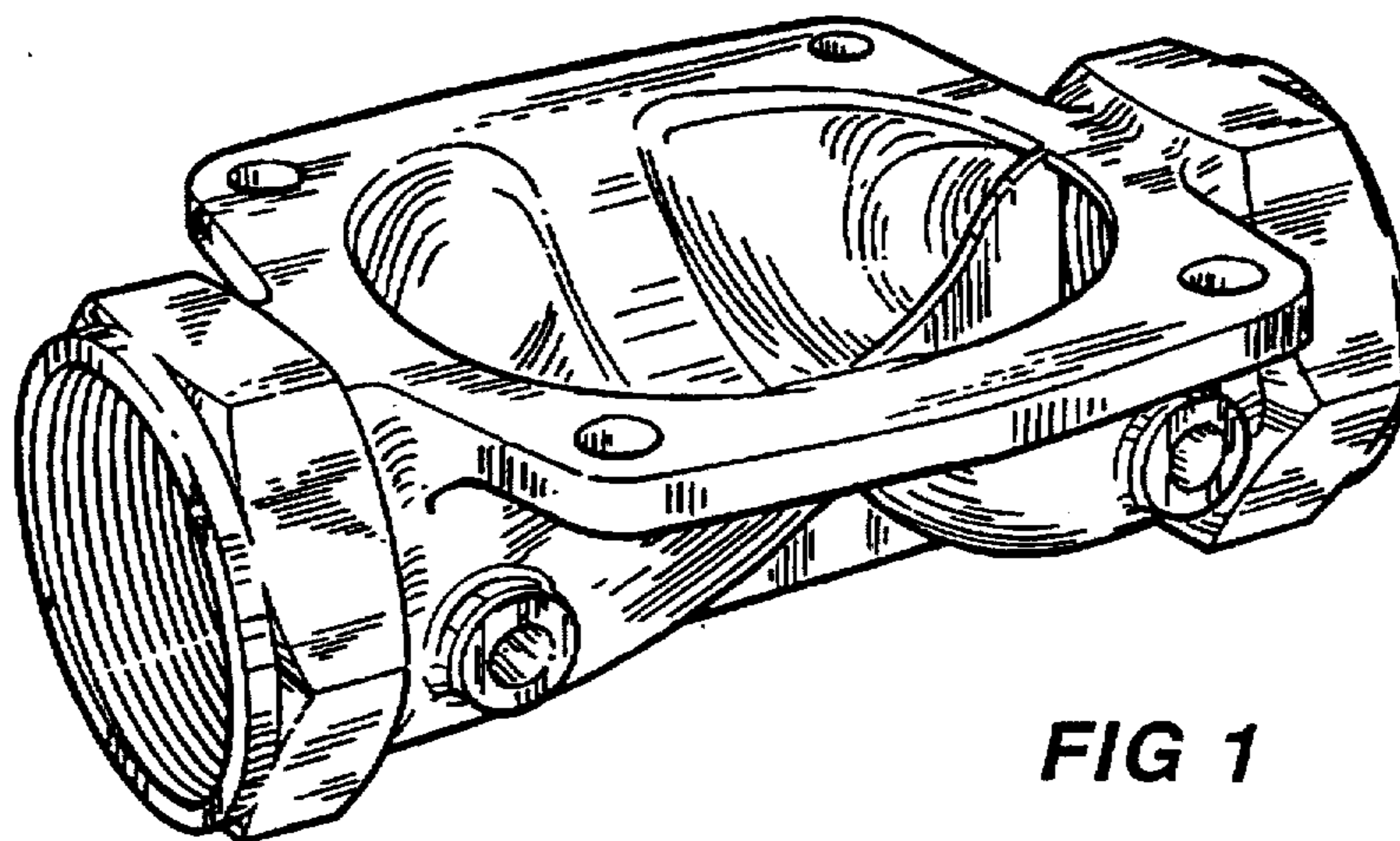


FIG 1

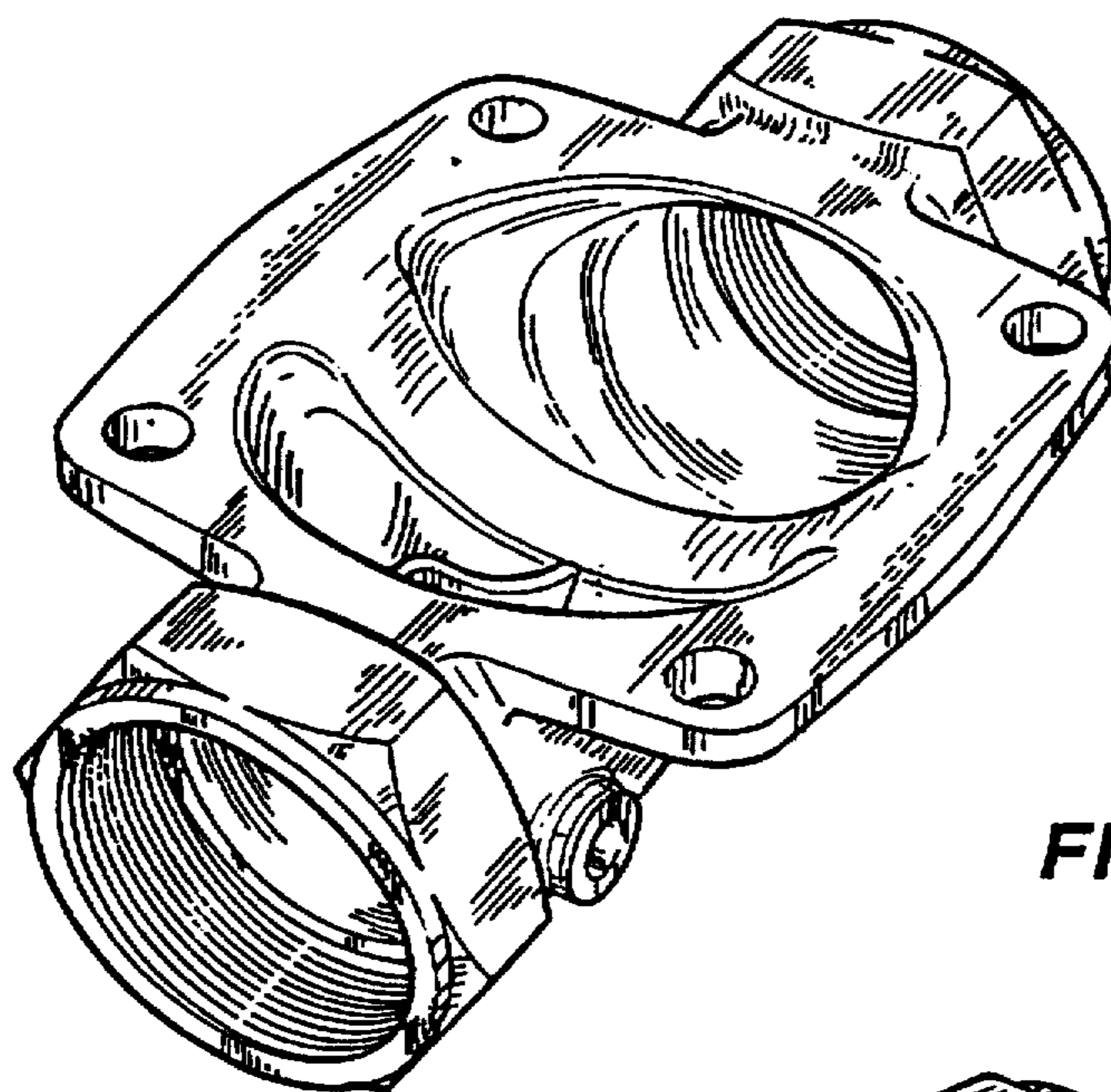


FIG 2

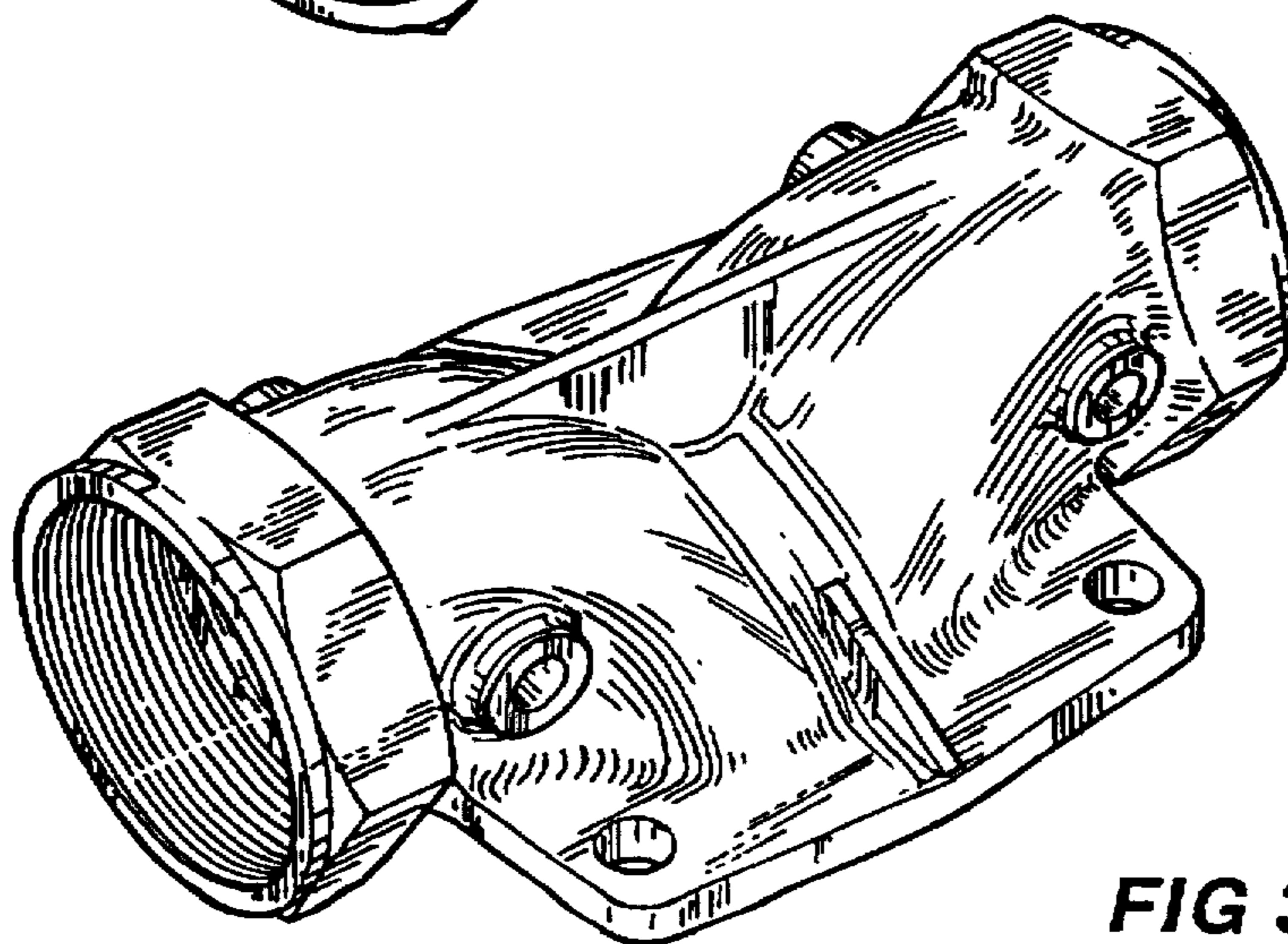


FIG 3

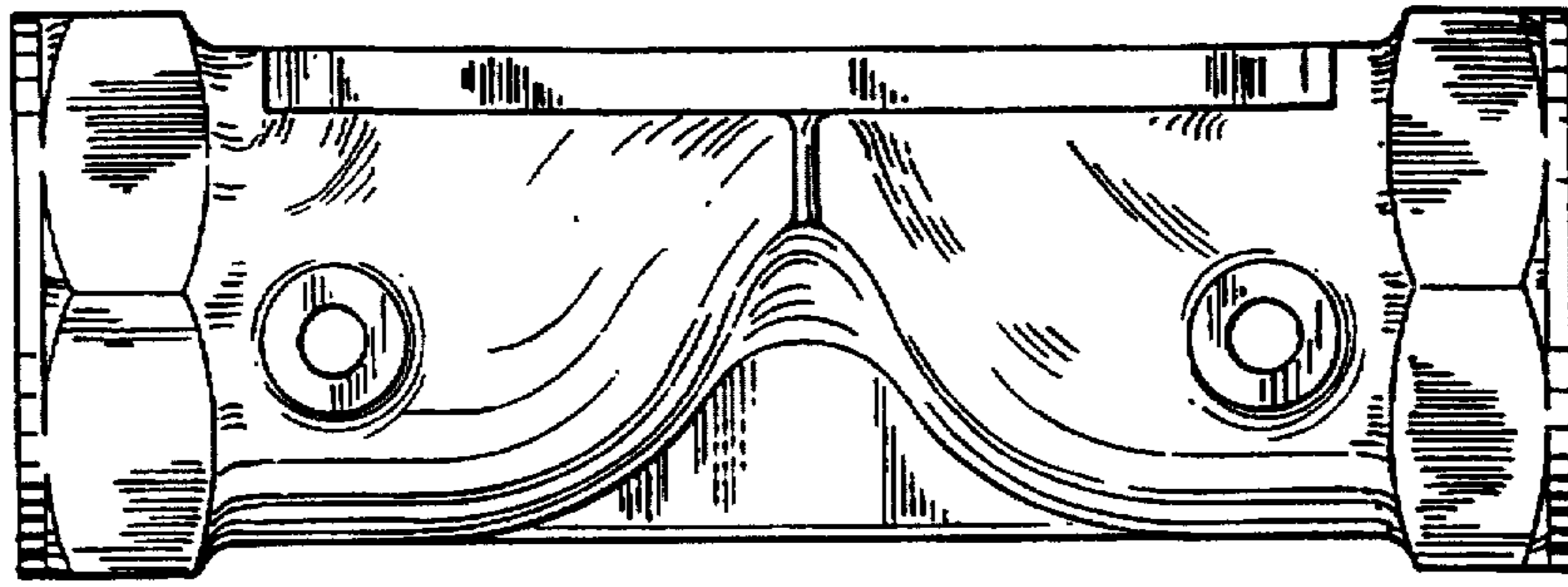


FIG 4

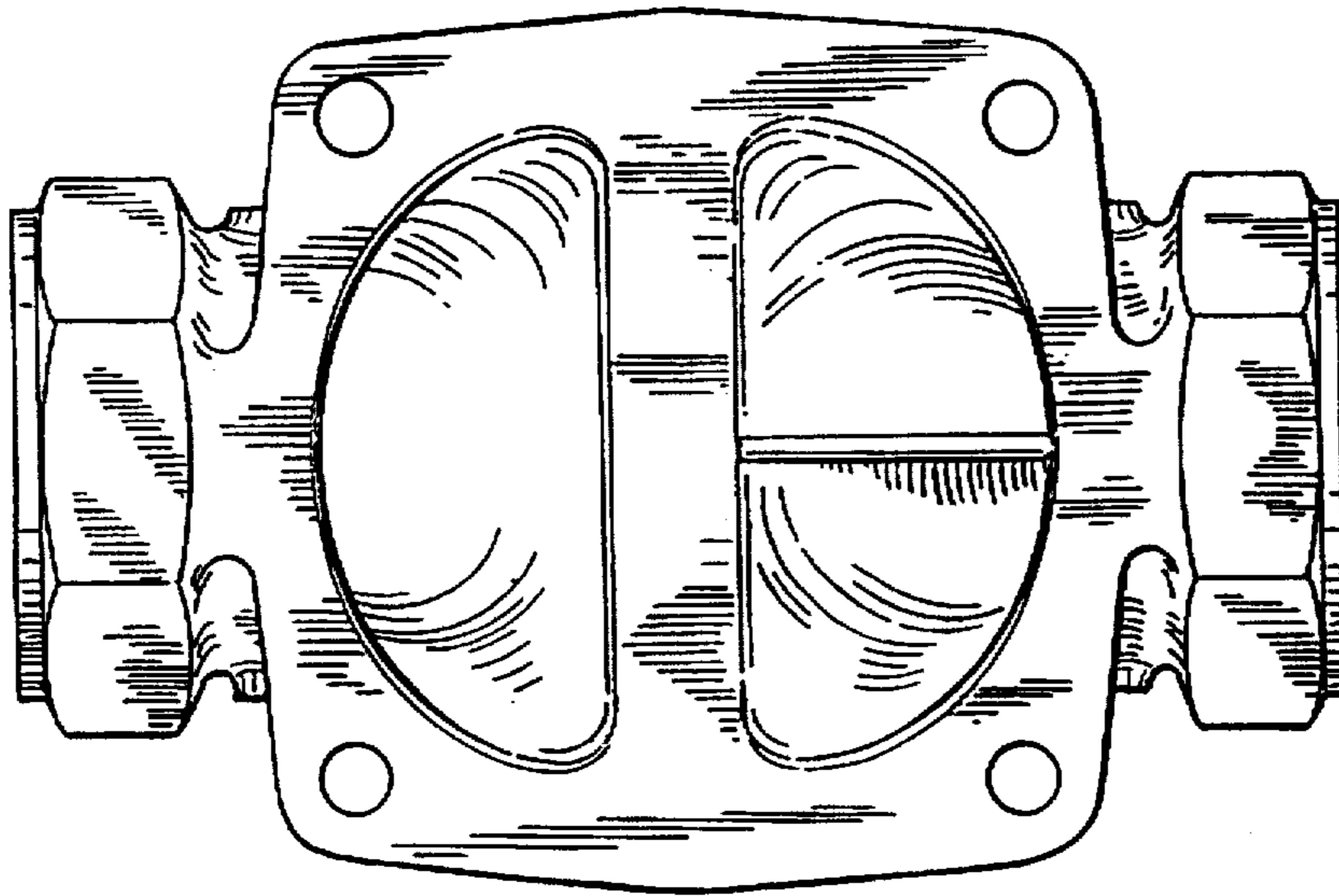


FIG 5

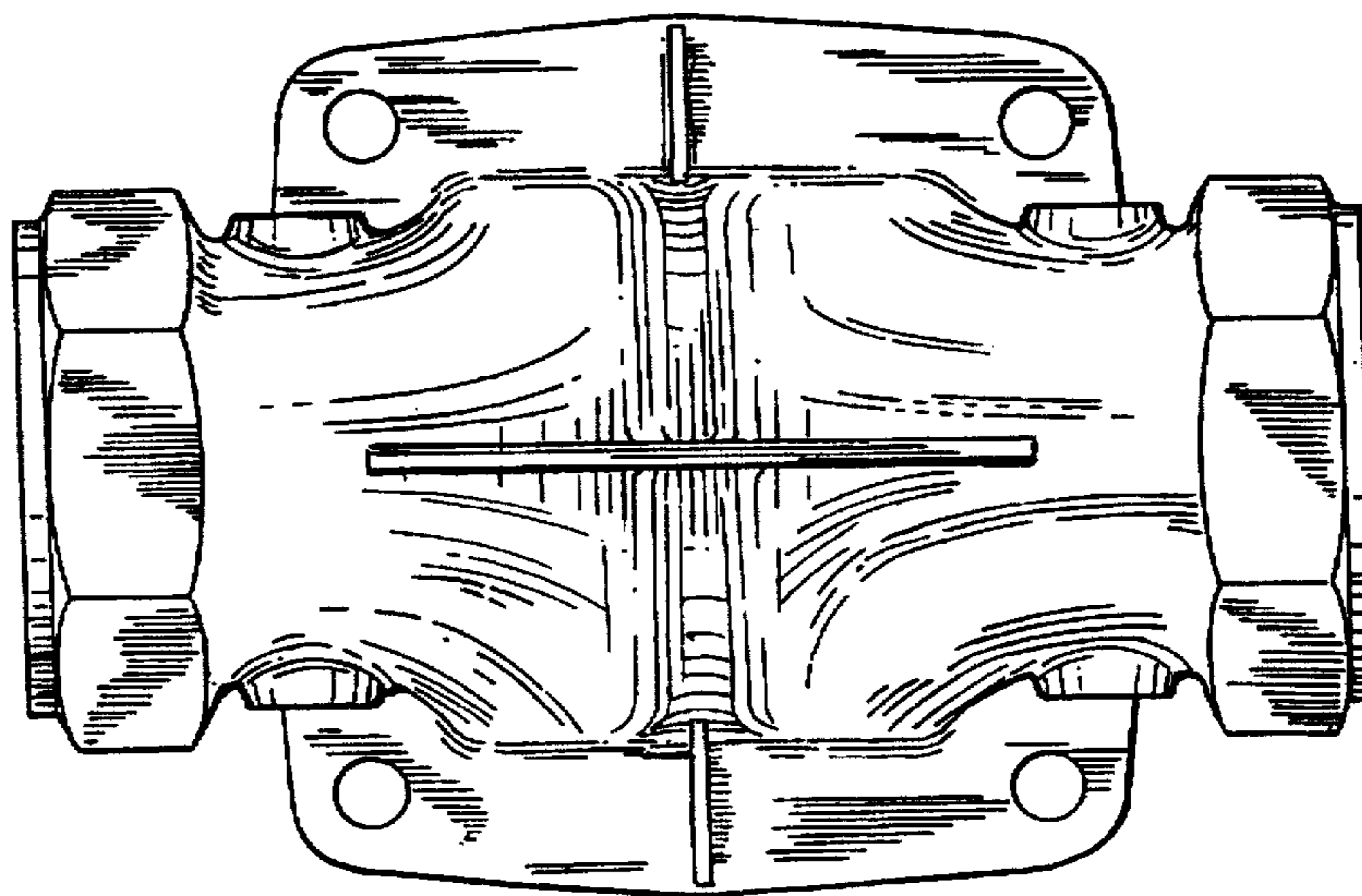


FIG 6