



US00D394697S

# United States Patent [19] Liang

[11] Patent Number: Des. 394,697  
[45] Date of Patent: \*\*May 26, 1998

[54] FILTER CAP  
[75] Inventor: Li-Shiang Liang, Harvard, Mass.  
[73] Assignee: United States Filter Corporation,  
Palm Desert, Calif.  
[\*\*] Term: 14 Years  
[21] Appl. No.: 50,144  
[22] Filed: Feb. 9, 1996  
[51] LOC (6) Cl. .... 23-01  
[52] U.S. Cl. .... D23/209  
[58] Field of Search ..... D23/200, 207,  
D23/209; 210/232, 340, 341, 282, 266,  
459-461

5,401,399 3/1995 Magnusson et al. .... 210/136  
5,580,456 12/1996 Bowsbey ..... 210/493.2  
5,660,726 8/1997 Dluzik ..... 210/493.2

### FOREIGN PATENT DOCUMENTS

WO 93/00976 1/1993 WIPO .

Primary Examiner—Alan P. Douglas  
Assistant Examiner—Robin V. Taylor  
Attorney, Agent, or Firm—Wolf, Greenfield & Sacks, P.C.

### [57] CLAIM

The ornamental design for a filter cap, as shown and described.

### DESCRIPTION

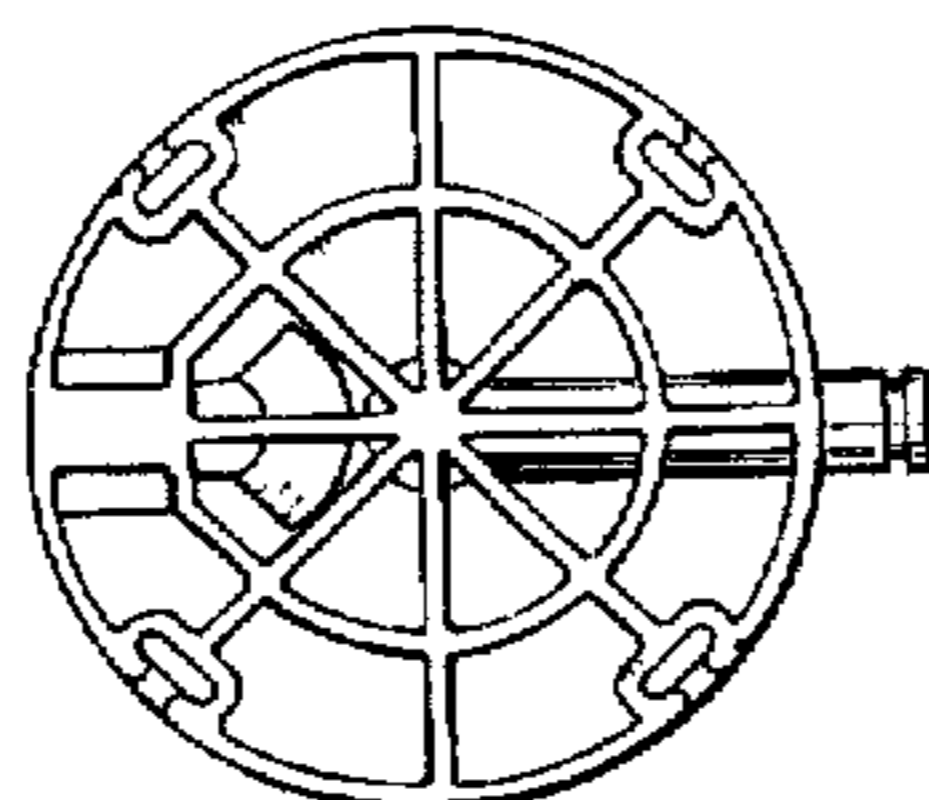
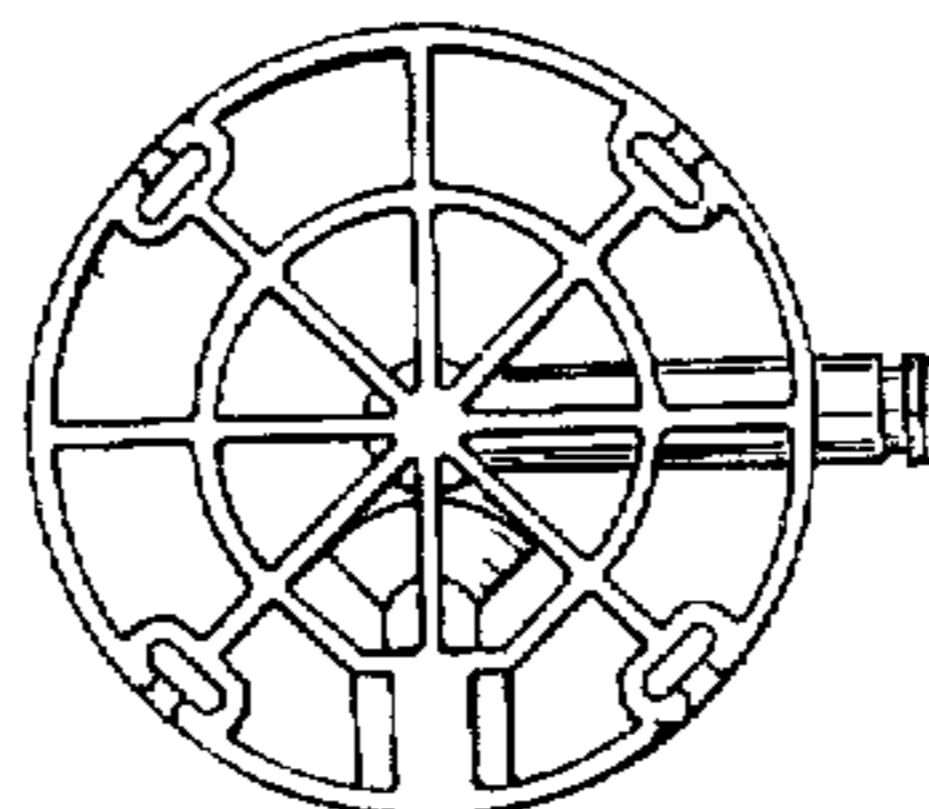
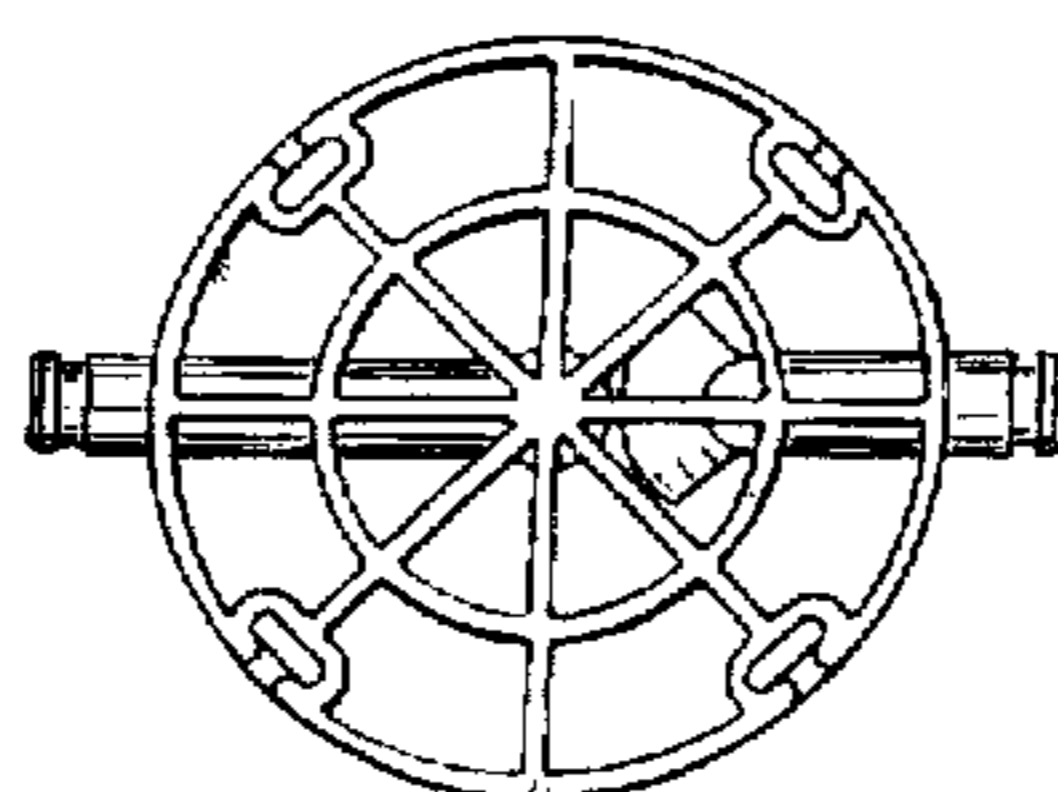
FIG. 1 is a top plan view of a first embodiment of a filter cap design;  
FIG. 2 is a bottom plan view thereof;  
FIG. 3 is a front elevational view thereof;  
FIG. 4 is a rear elevational view thereof;  
FIG. 5 is a side elevational view thereof, with the opposite side being a mirror image thereof;  
FIG. 6 is a top plan view of a second embodiment of a filter cap design;  
FIG. 7 is a bottom plan view thereof;  
FIG. 8 is a left side elevational view thereof;  
FIG. 9 is a front elevational view thereof;  
FIG. 10 is a rear elevational view thereof;  
FIG. 11 is a right side elevational view thereof;  
FIG. 12 is a top plan view of a third embodiment of a filter cap design;  
FIG. 13 is a bottom plan view thereof;  
FIG. 14 is a rear elevational view thereof;  
FIG. 15 is a front elevational view thereof; and,  
FIG. 16 is a side elevational view thereof, with the opposite side being a mirror image thereof.

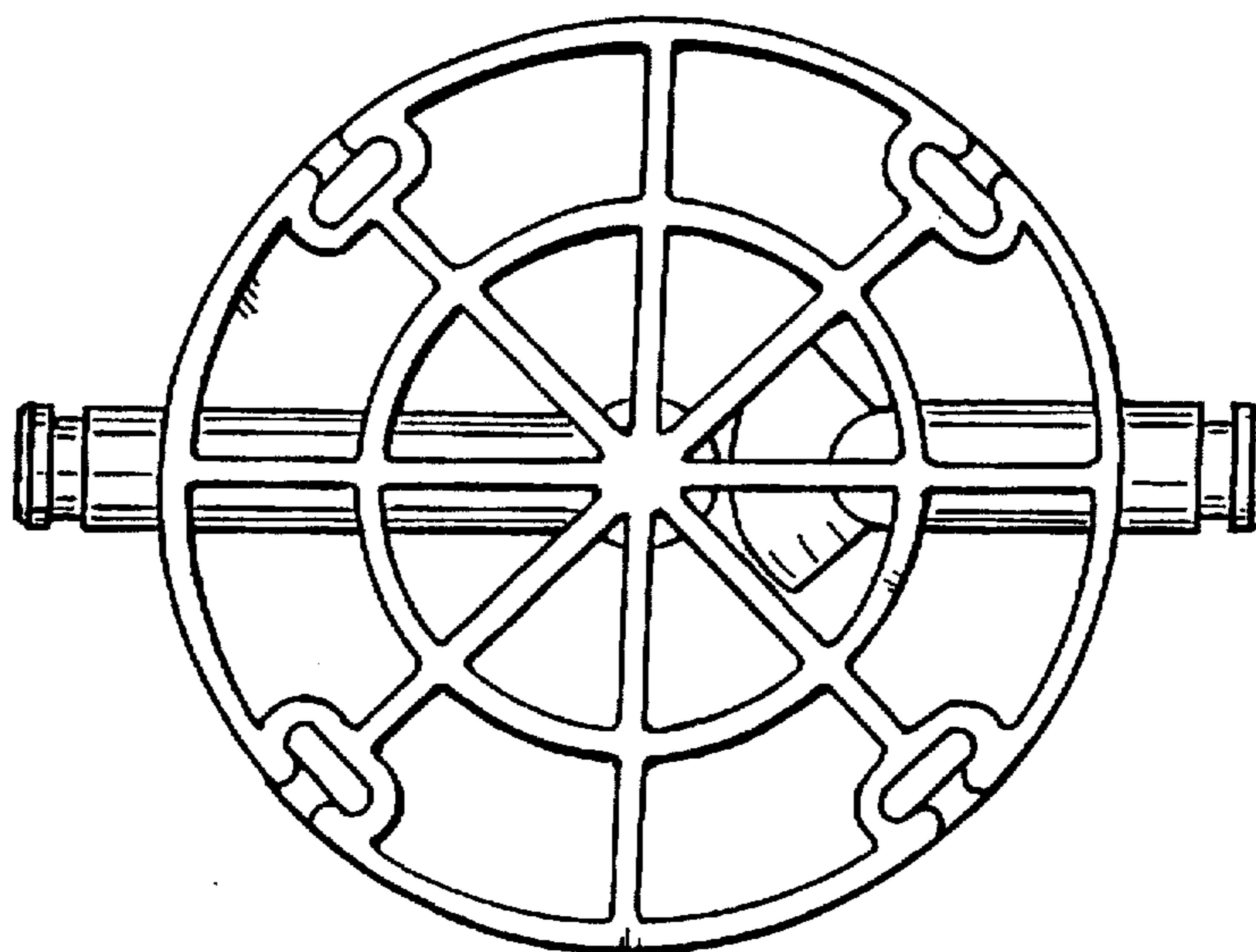
1 Claim, 4 Drawing Sheets

### [56] References Cited

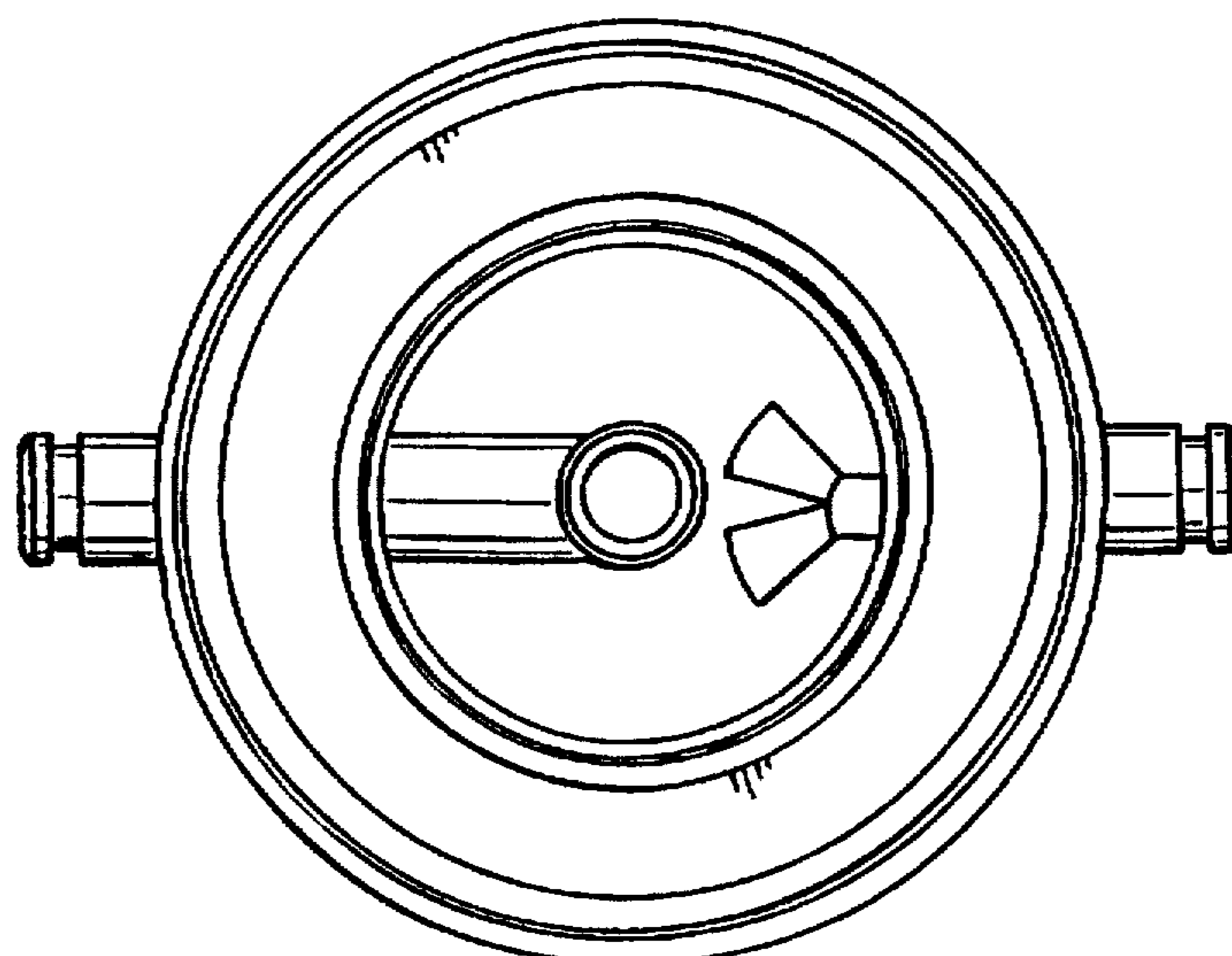
#### U.S. PATENT DOCUMENTS

D. 317,965	7/1991	Svensson	.....	D23/209
D. 320,062	9/1991	Meissner	.....	D23/209
D. 321,745	11/1991	Murrell	.....	D23/209
3,396,847	8/1968	Englesberg	.....	210/85
3,909,402	9/1975	Gartner	.....	210/27
3,914,176	10/1975	Holmes	.....	210/132
3,950,253	4/1976	Stern	.....	210/282
4,160,738	7/1979	Guter	.....	210/232
4,169,058	9/1979	Pickett et al.	.....	210/440
4,343,707	8/1982	Lucas	.....	210/695
4,347,136	8/1982	Friesen et al.	.....	210/253
4,451,369	5/1984	Sekino et al.	.....	210/321.1
4,537,681	8/1985	Argiropoulos et al.	.....	210/440
4,541,926	9/1985	Stanley	.....	210/87
4,626,348	12/1986	Stone	.....	210/248
4,944,875	7/1990	Gaignet	.....	210/232
5,277,807	1/1994	Lavoie et al.	.....	210/321

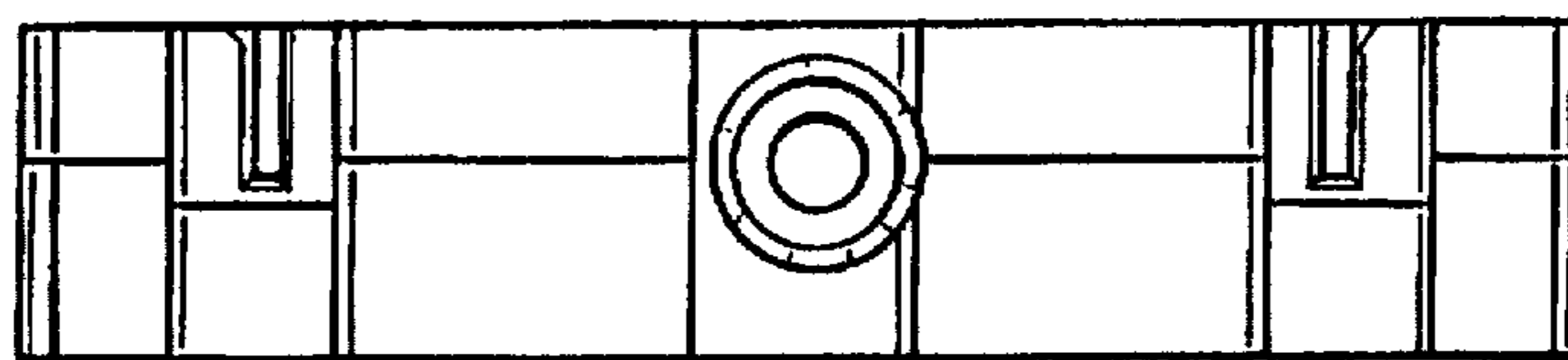




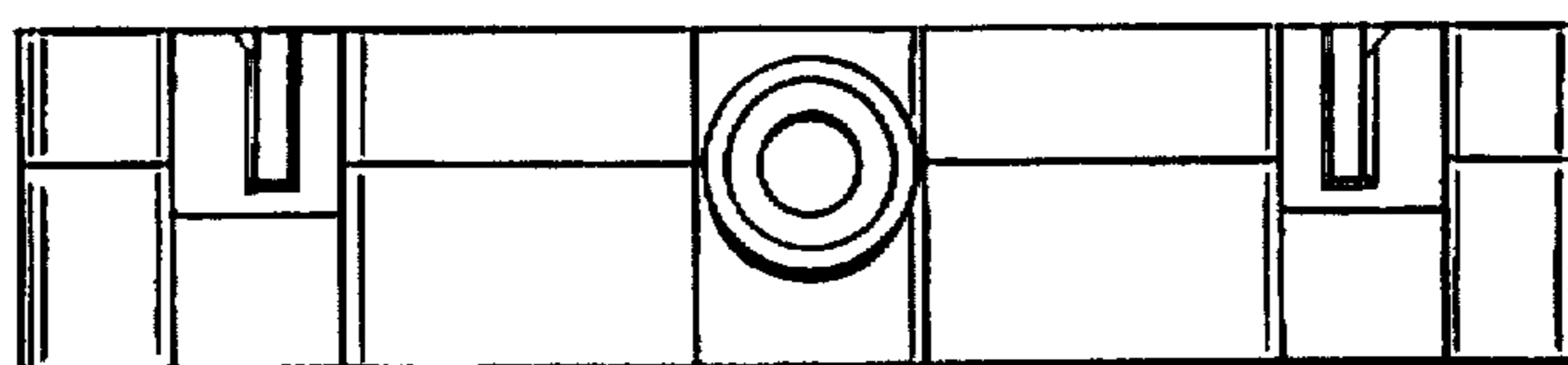
**Fig. 1**



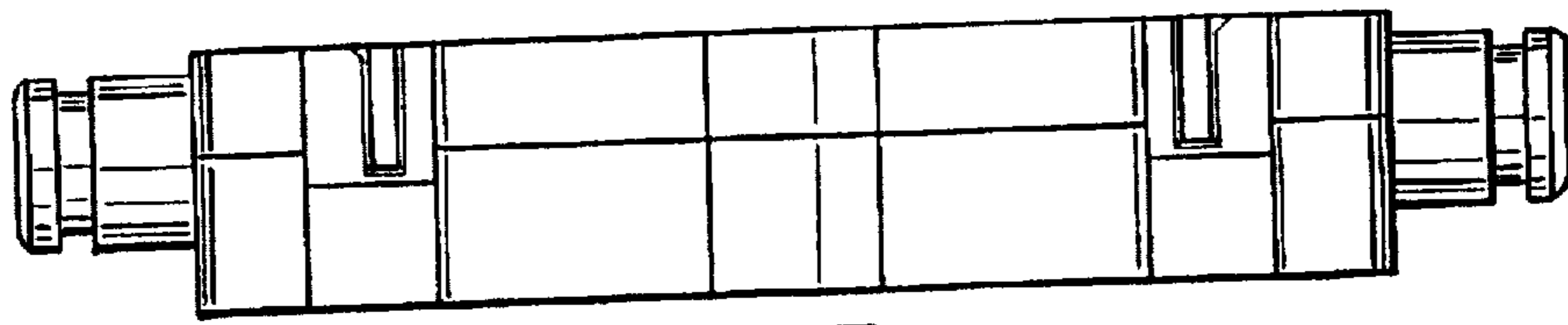
**Fig. 2**



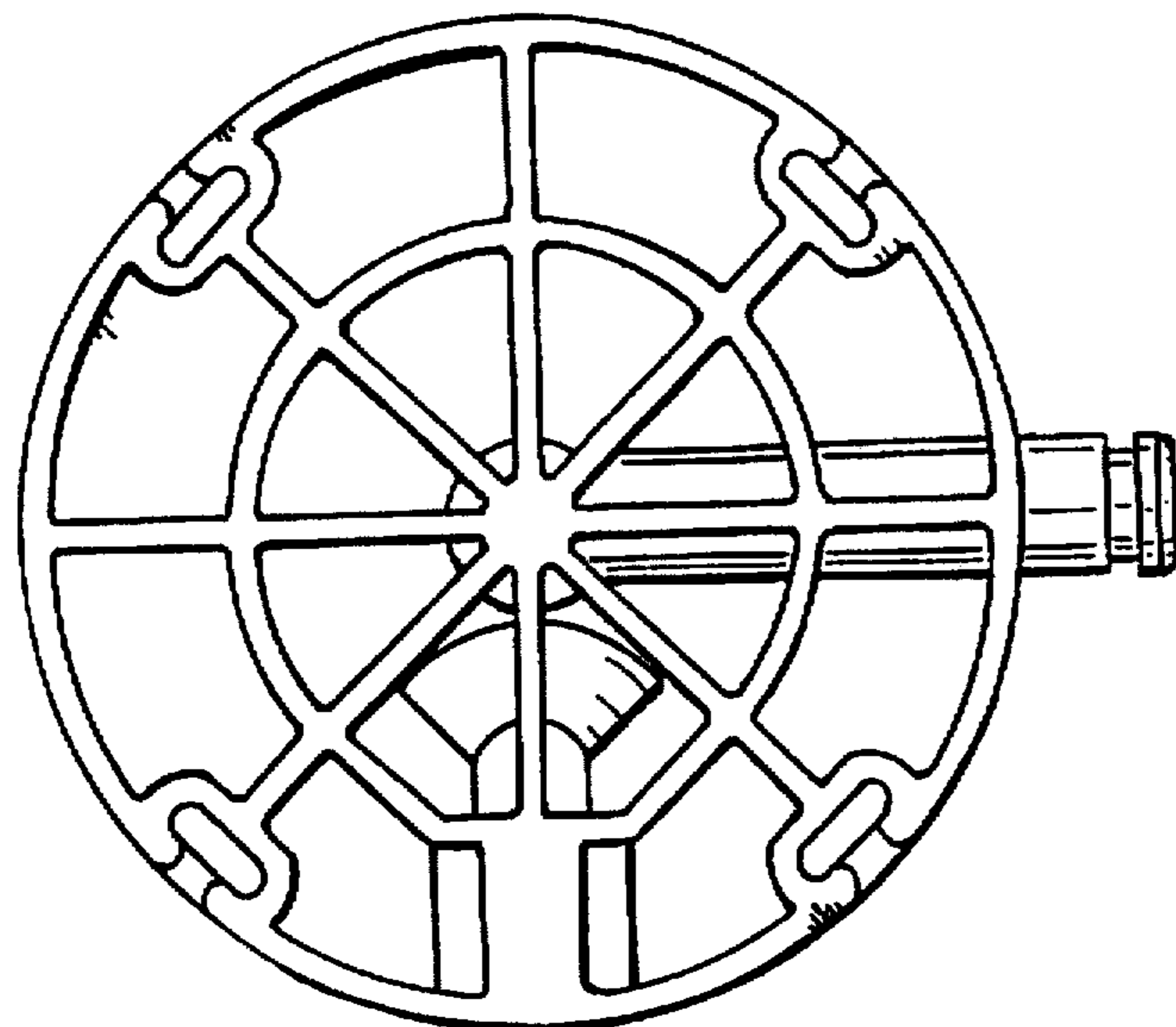
**Fig. 3**



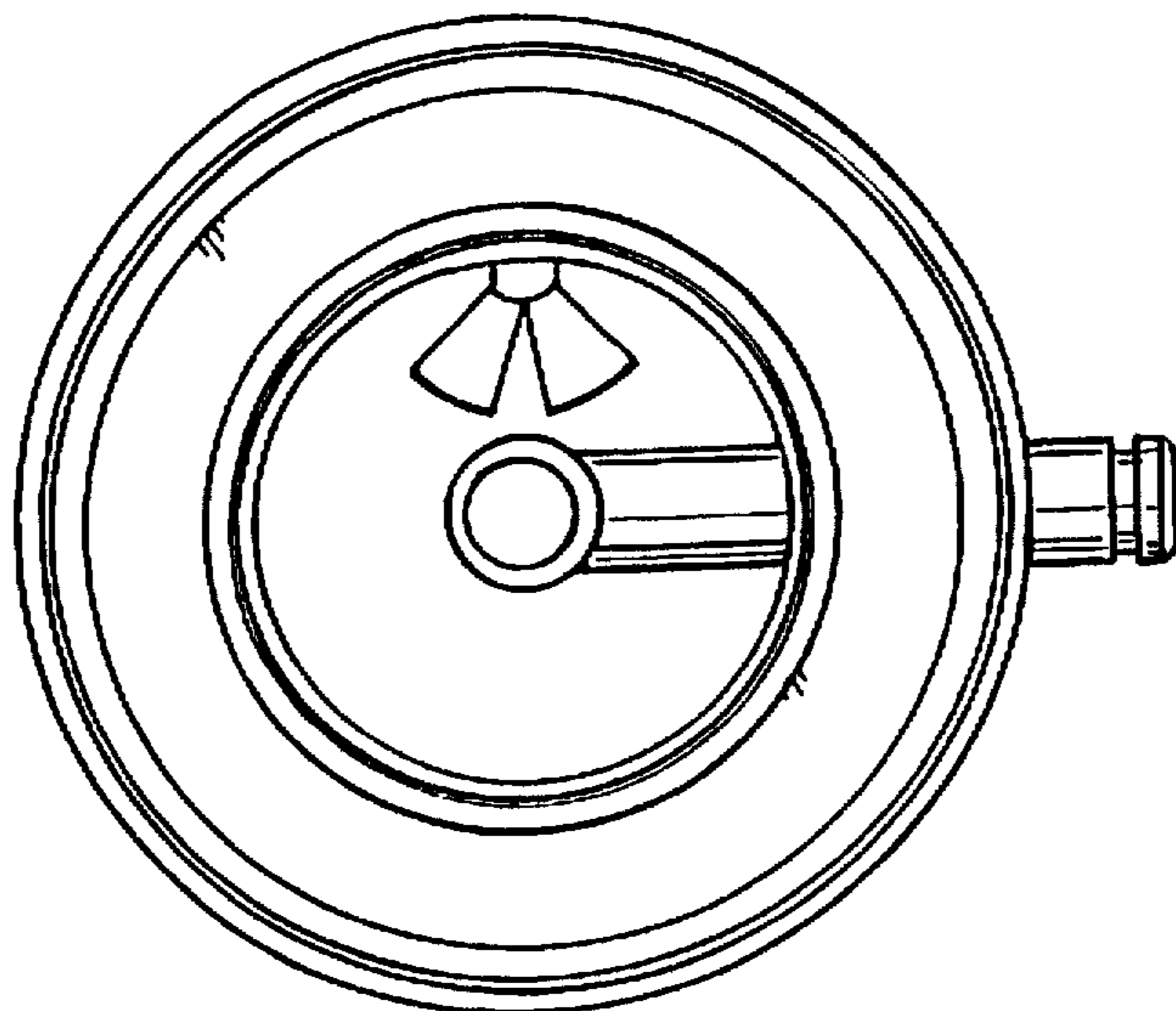
**Fig. 4**



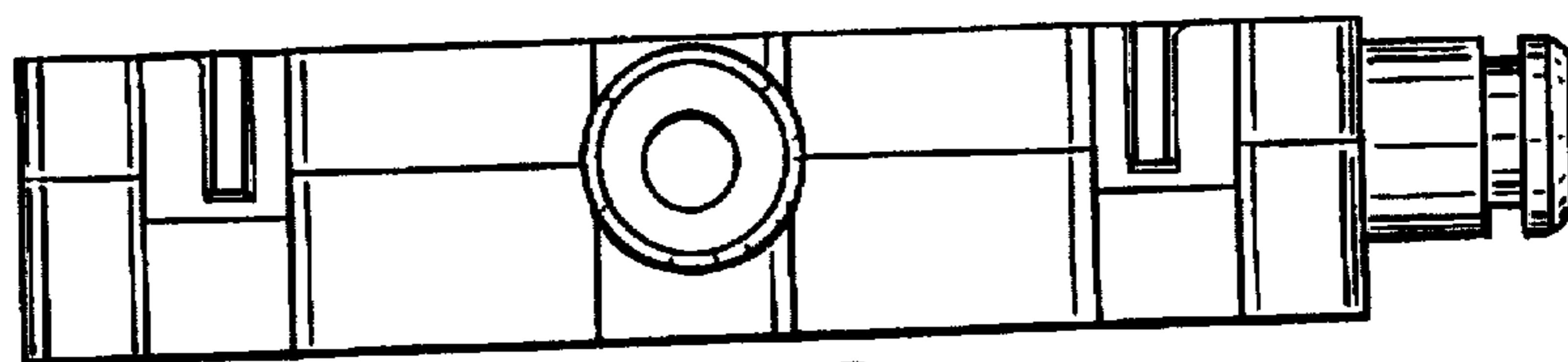
**Fig. 5**



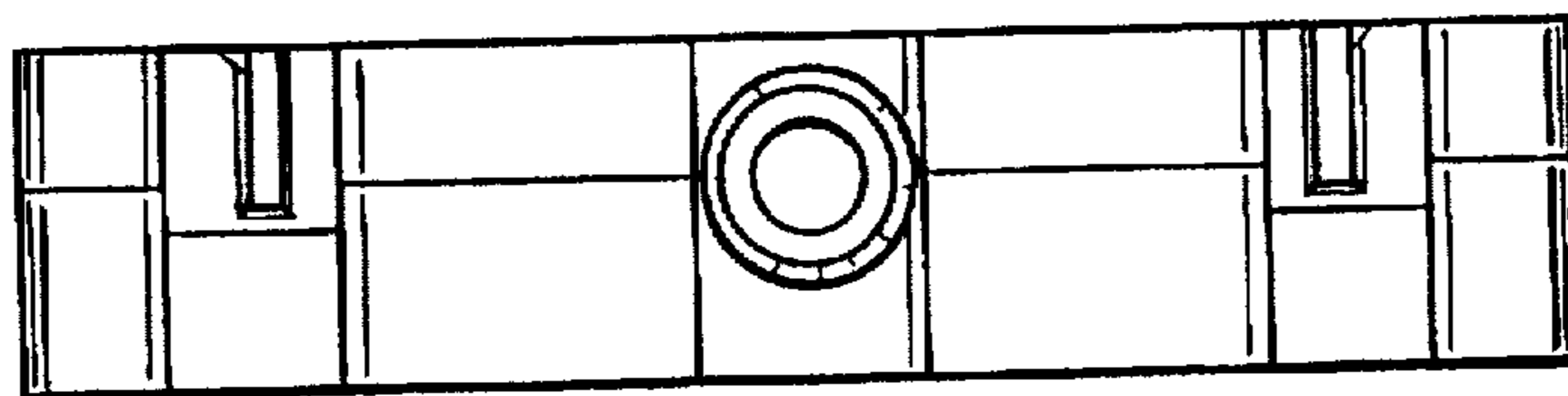
**Fig. 6**



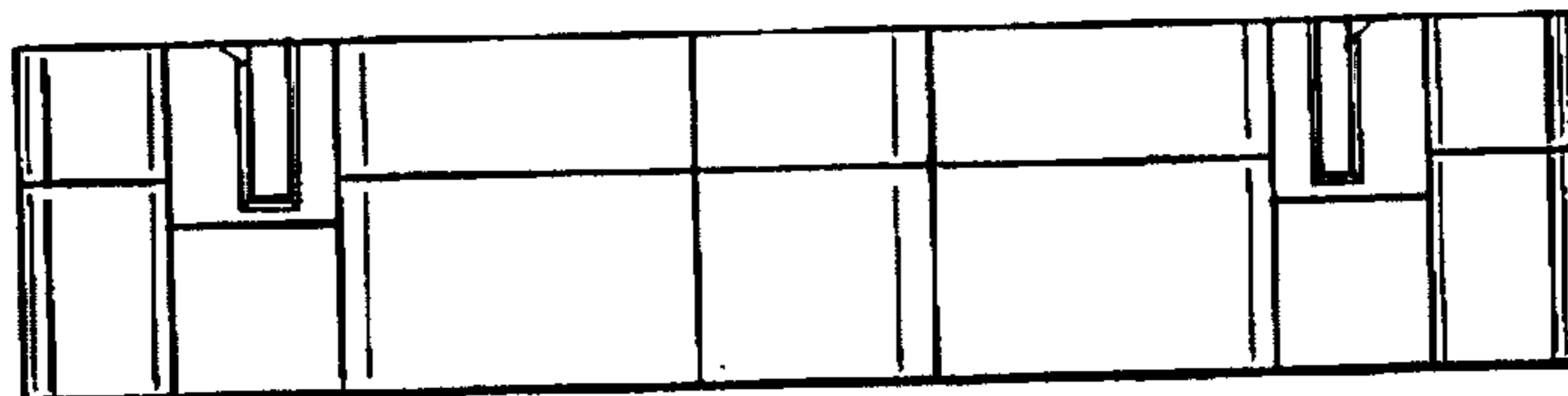
**Fig. 7**



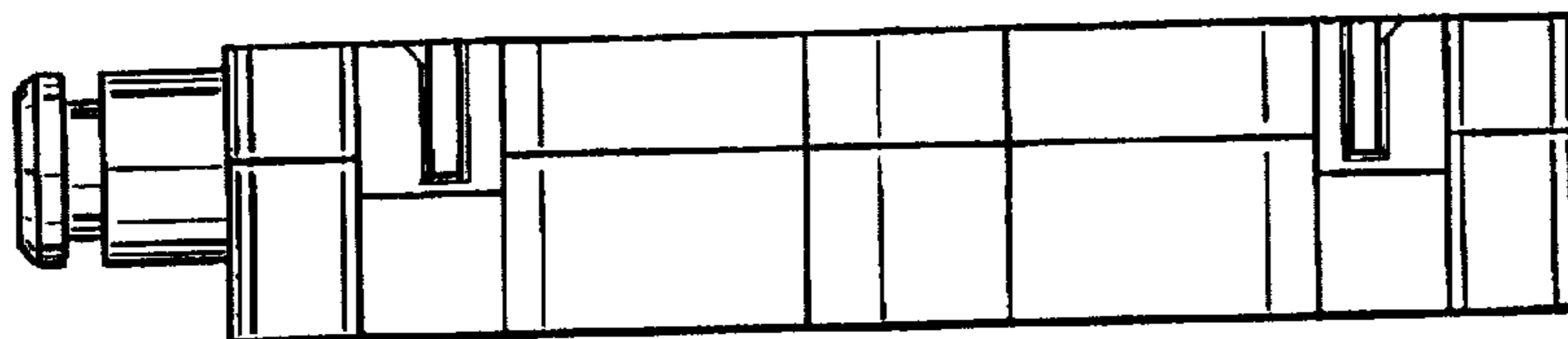
**Fig. 8**



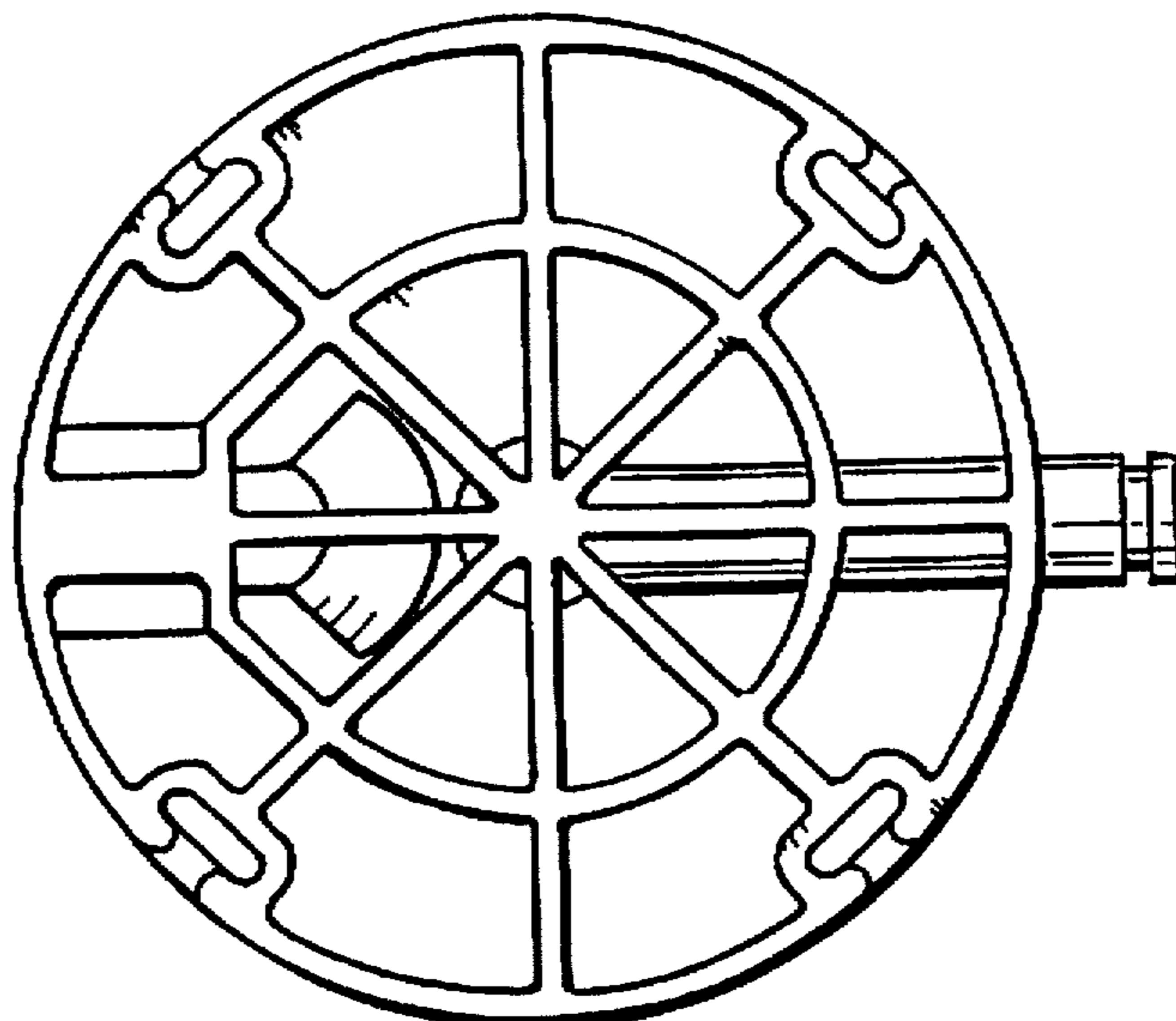
**Fig. 9**



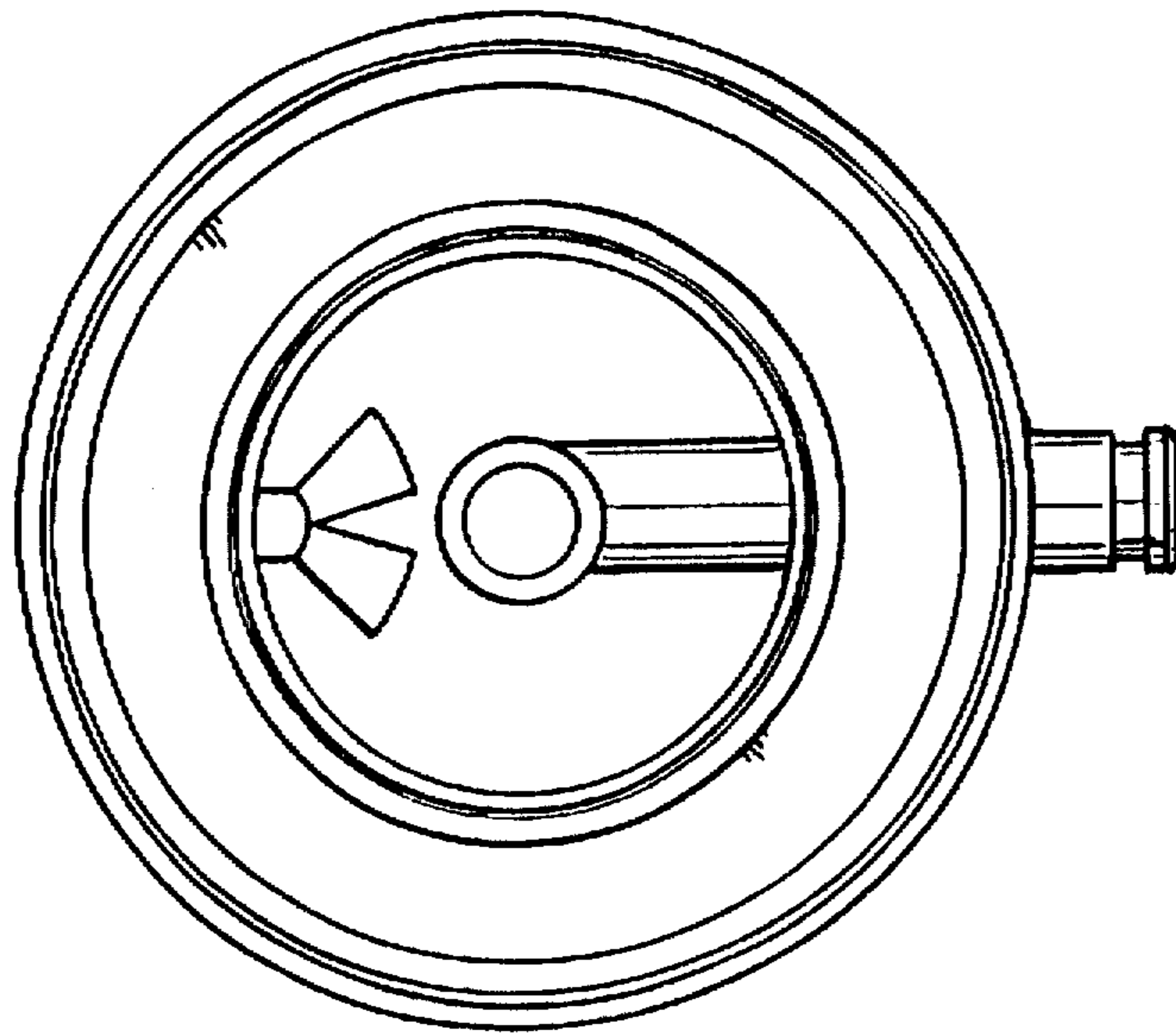
**Fig. 10**



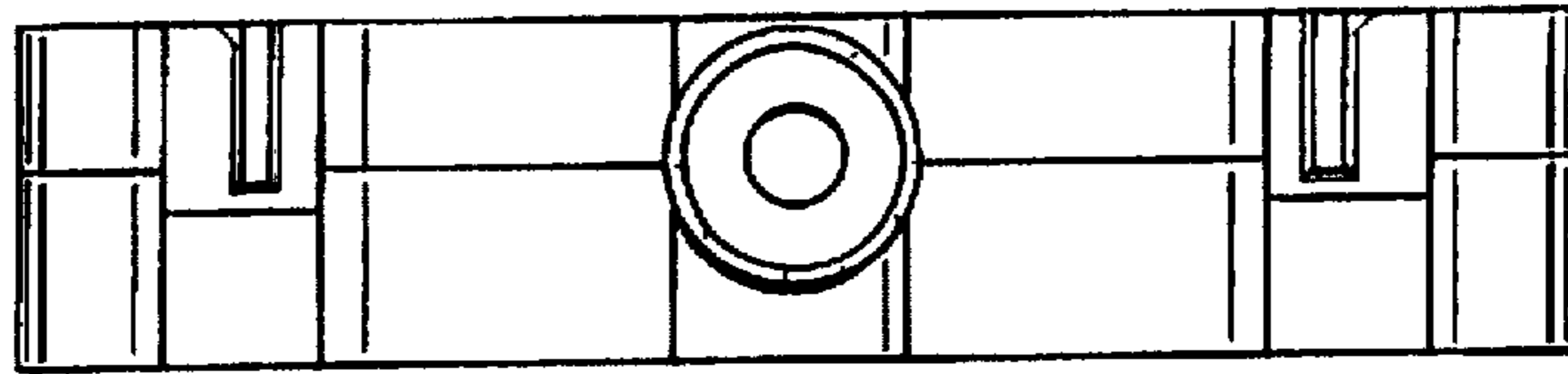
**Fig. 11**



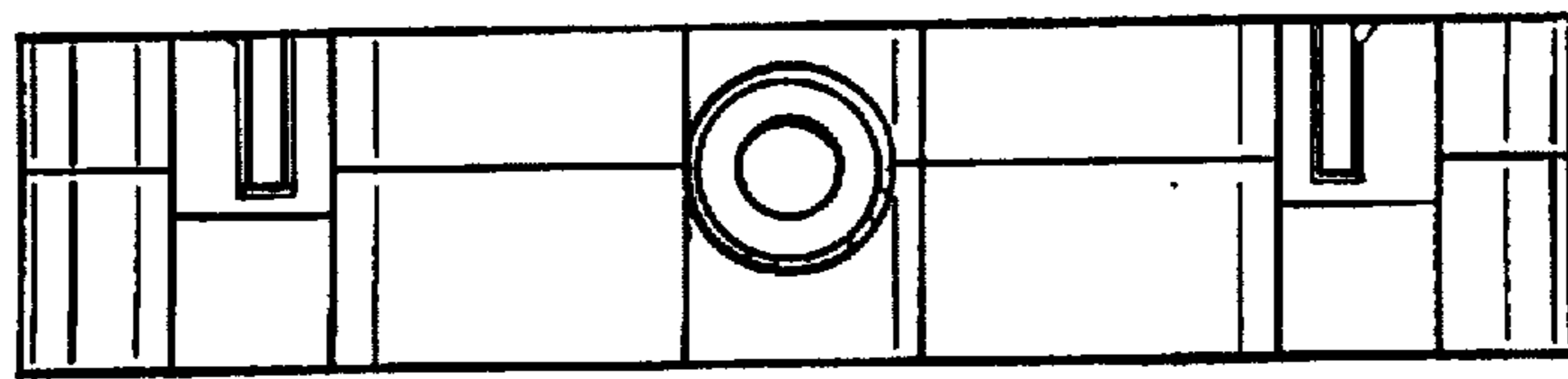
**Fig. 12**



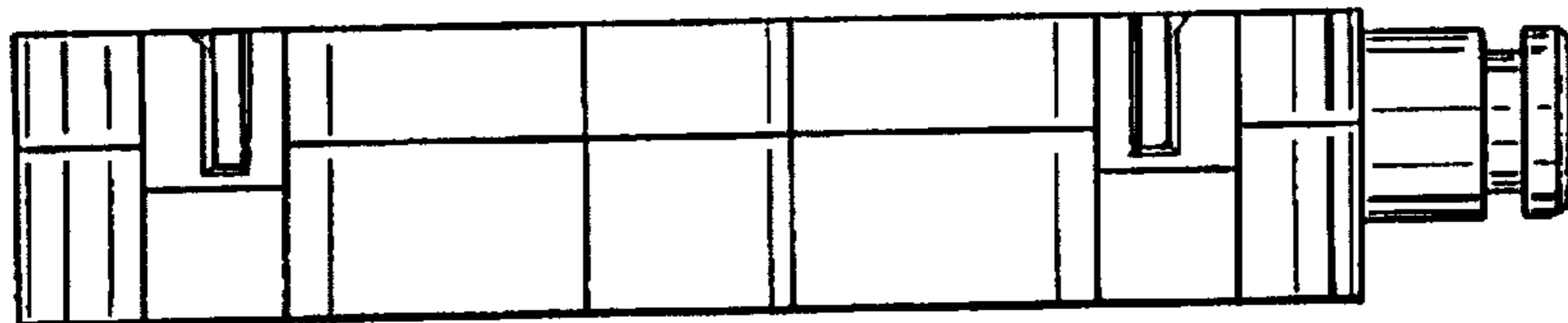
**Fig. 13**



**Fig. 14**



**Fig. 15**



**Fig. 16**