



US00D394696S

United States Patent [19] Hundley

[11] Patent Number: Des. 394,696
[45] Date of Patent: **May 26, 1998

[54] TUB FOR BATHING

[75] Inventor: Jill E. Hundley, Sheboygan, Wis.

[73] Assignee: Kohler Co., Kohler, Wis.

[**] Term: 14 Years

[21] Appl. No.: 65,500

[22] Filed: Jan. 22, 1997

[51] LOC (6) Cl. 23-02

[52] U.S. Cl. D23/280.1

[58] Field of Search D23/277, 279,
D23/280.1-280.4; 4/538, 539, 546, 548,
551, 584, 589, 590

[56] References Cited

U.S. PATENT DOCUMENTS

D. 265,582	7/1982	Kohler, Jr.	D23/55
D. 279,028	5/1985	Kohler, Jr. et al.	D23/55
D. 318,720	7/1991	Dowse	D23/277
D. 318,721	7/1991	Reid	D23/280.1
D. 323,702	2/1992	Promicci et al.	D23/277
D. 377,519	1/1997	Pormgren	D23/280.1

OTHER PUBLICATIONS

Undated Jacob Delafon ad showing a "Repos" tub, admitted prior art.

1987 Shires ad showing a "Naiad bath 1700".

J. Hundley, U.S. Serial No. 29/049,465 filed Jan. 25, 1996 (FIGS. 1-7).

Primary Examiner—Louis S. Zarfes

Assistant Examiner—Eric Watterson

Attorney, Agent, or Firm—Quarles & Brady

[57] CLAIM

The ornamental design for a tub for bathing, as shown and described.

DESCRIPTION

FIG. 1 is a right, top, front perspective view of a tub for

bathing embodying my new design;

FIG. 2 is a top plan view thereof;

FIG. 3 is a front elevational view thereof;

FIG. 4 is a rear elevational view thereof;

FIG. 5 is a right side elevational view thereof;

FIG. 6 is a left side elevational view thereof;

FIG. 7 is a cross-sectional view taken along line 7—7 of FIG. 2;

FIG. 8 is a cross-sectional view taken along line 8—8 of FIG. 2;

FIG. 9 is a cross-sectional view taken along line 9—9 of FIG. 2;

FIG. 10 is a top plan view of a second embodiment which is a mirror image of that shown in FIG. 2, the front and rear elevational views being mirror images of those shown in FIGS. 3 and 4, the left side elevational view being the mirror image of that shown in FIG. 5, and the right side elevational view being the mirror image of that shown in FIG. 6;

FIG. 11 is a right, top, front perspective view of a third embodiment that is identical to the first embodiment but for the top rim;

FIG. 12 is a top plan view taken thereof;

FIG. 13 is a front elevational view thereof, the rear elevational view being a mirror image of the front side shown;

FIG. 14 is a right side elevational view thereof;

FIG. 15 is a left side elevational view thereof;

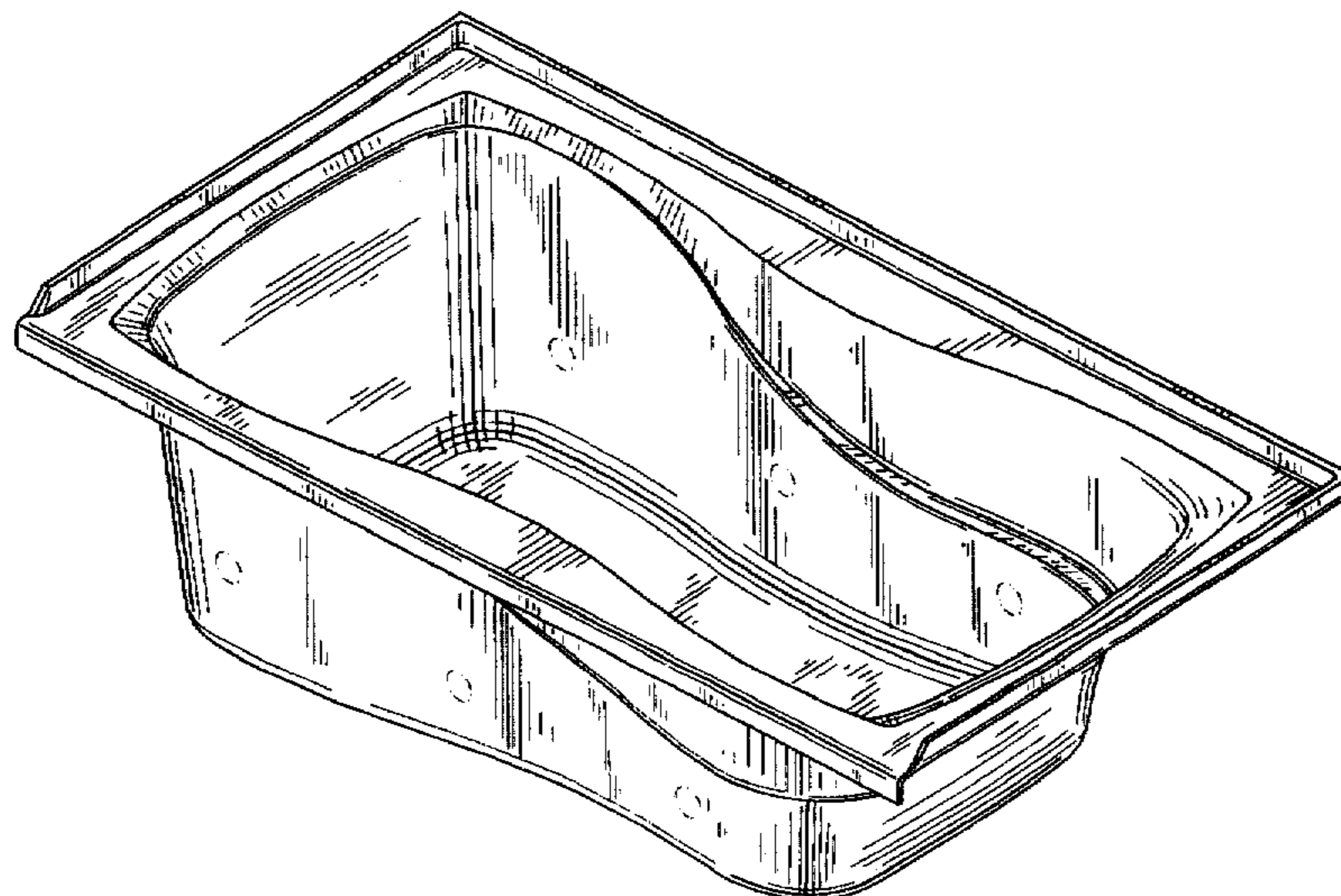
FIG. 16 is a cross-sectional view taken along line 16—16 of FIG. 12;

FIG. 17 is a cross-sectional view taken along line 17—17 of FIG. 12; and,

FIG. 18 is a cross-sectional view taken along line 18—18 of FIG. 12.

The broken line representations of holes in FIGS. 1-4, 7, 10-13, and 16 are for purposes of illustration only, and form no part of the claimed design.

1 Claim, 13 Drawing Sheets



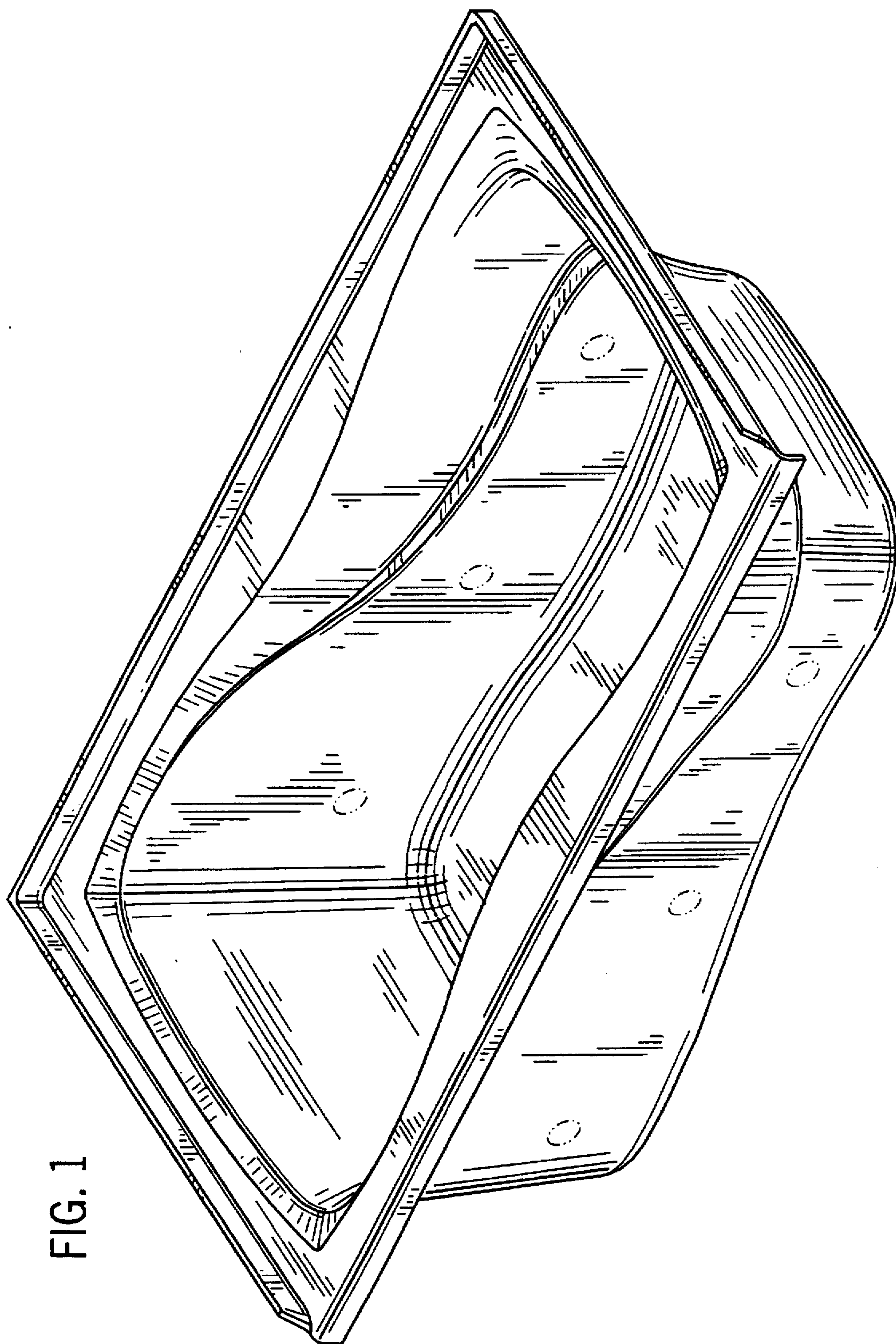


FIG. 1

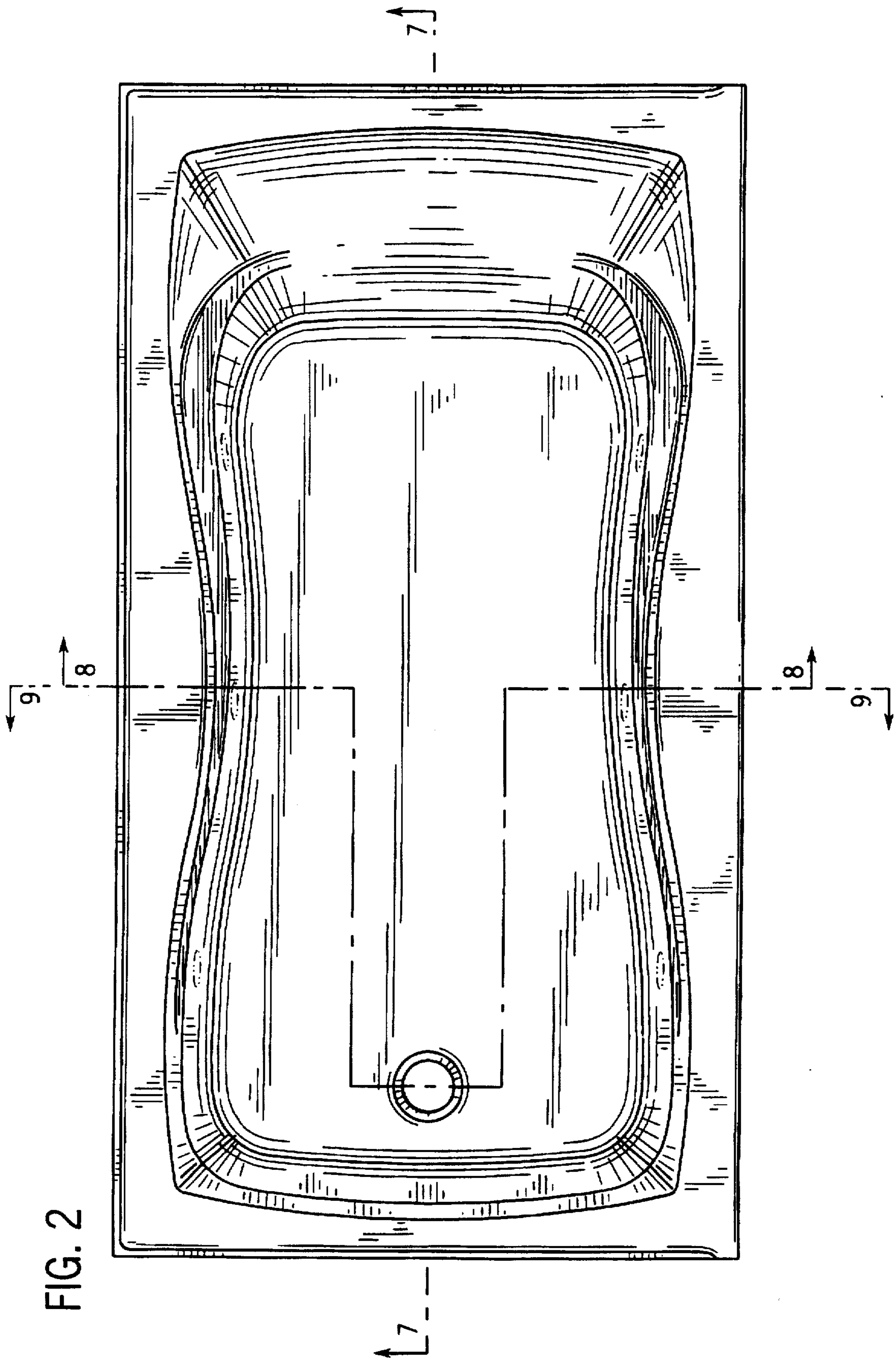


FIG. 2

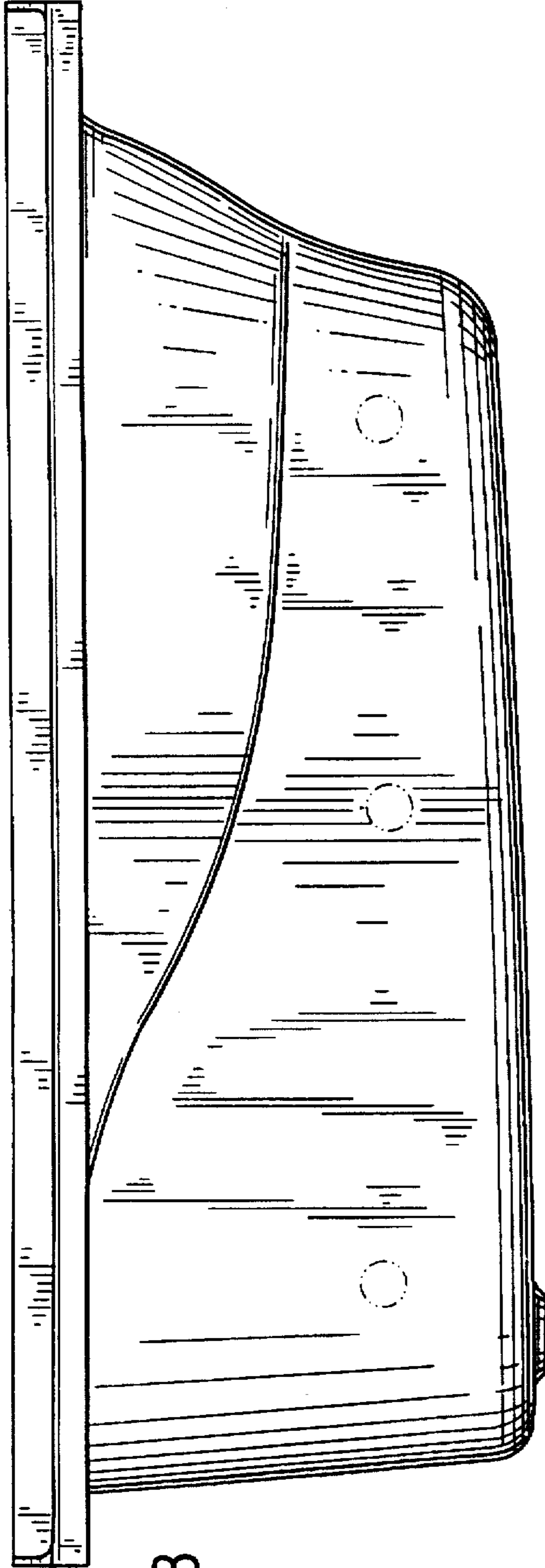


FIG. 3

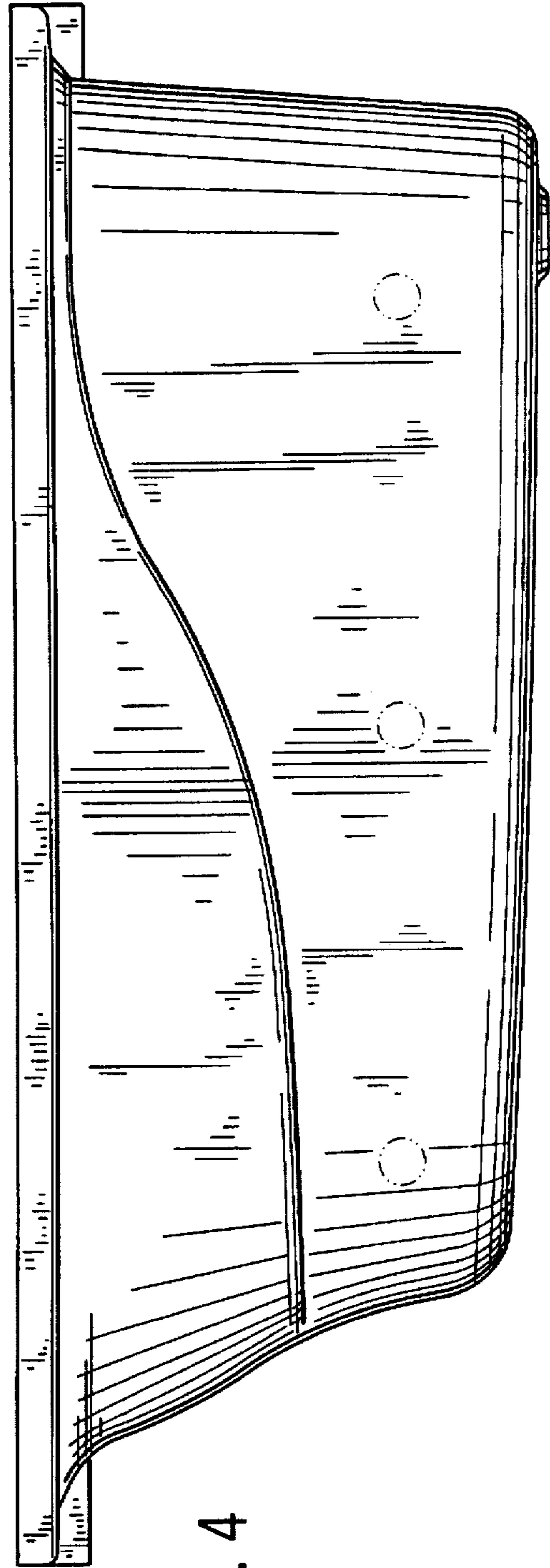


FIG. 4

FIG. 5

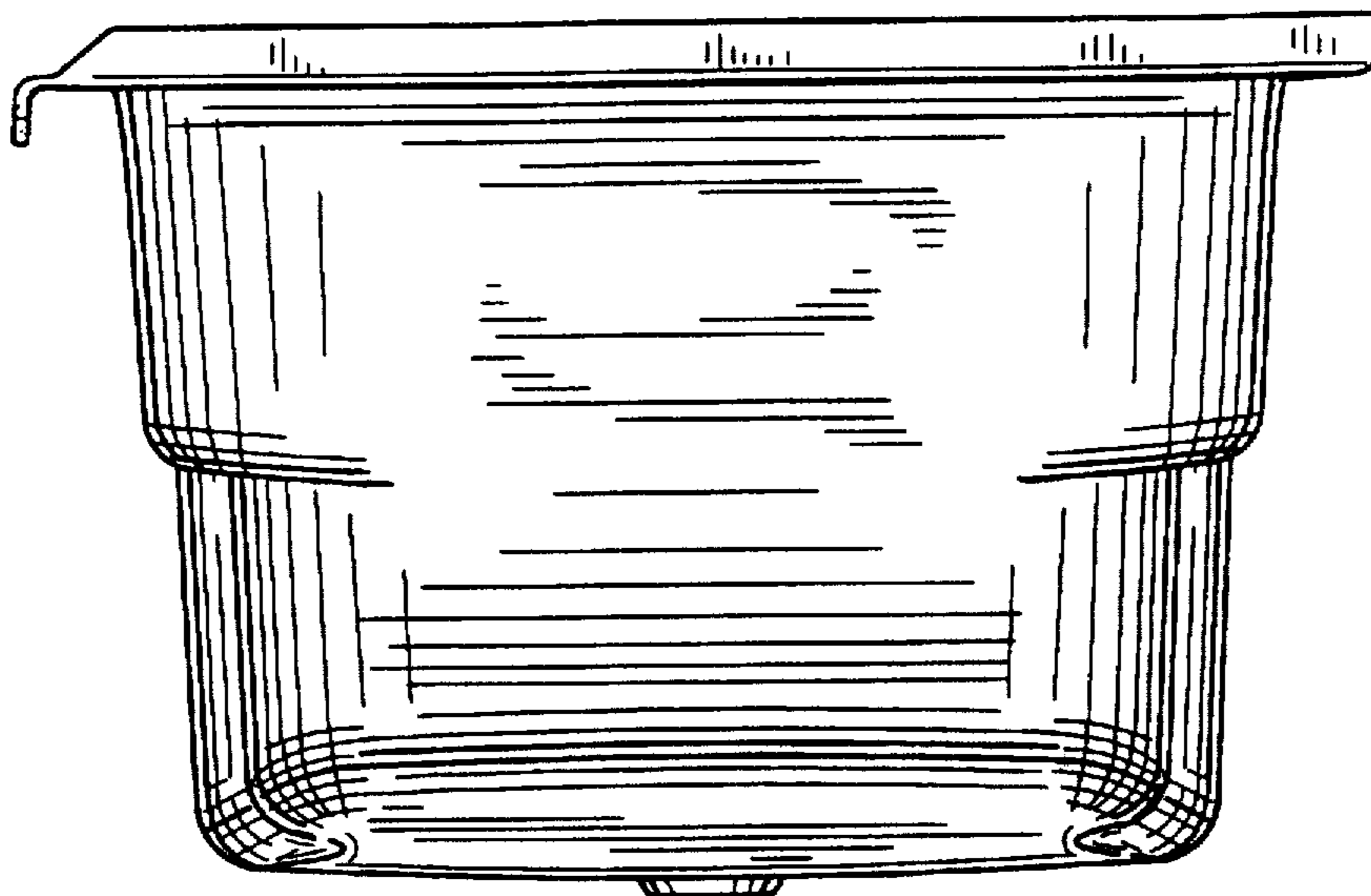


FIG. 6

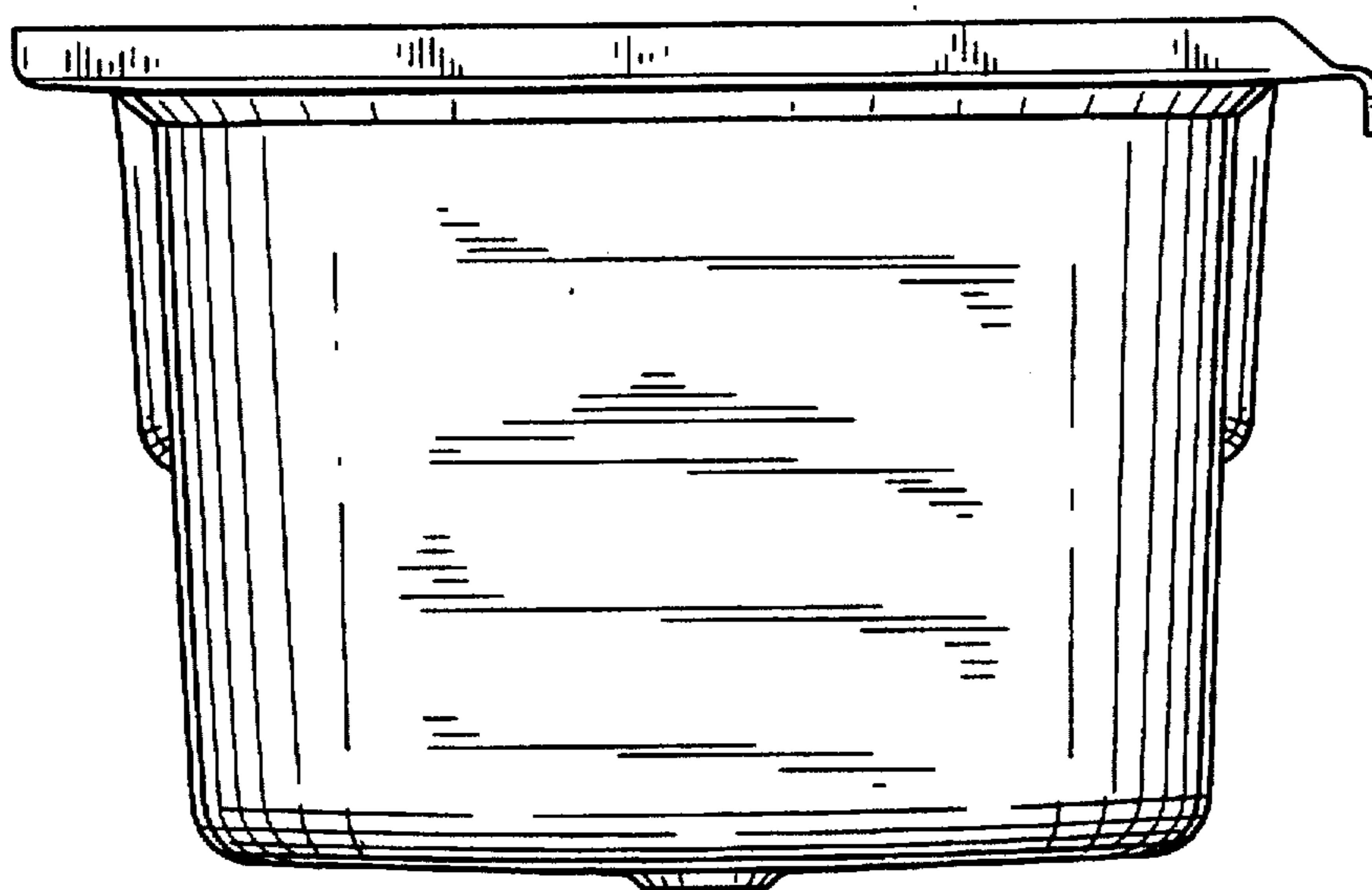


FIG. 7

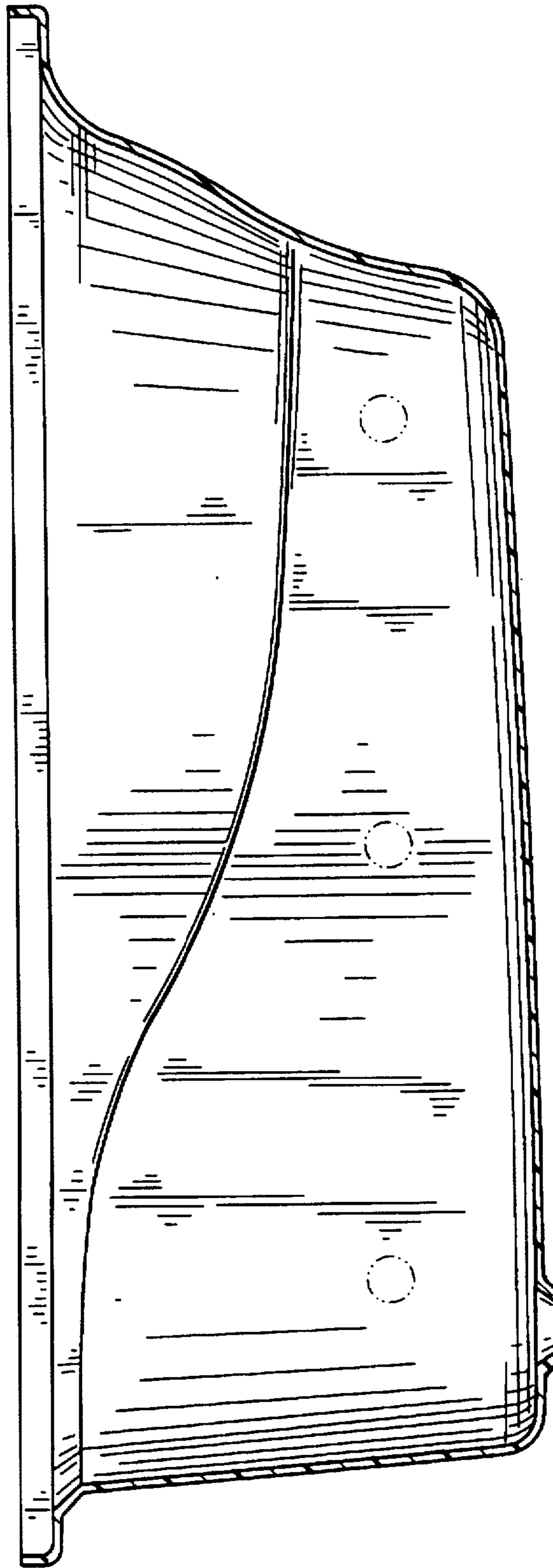


FIG. 8

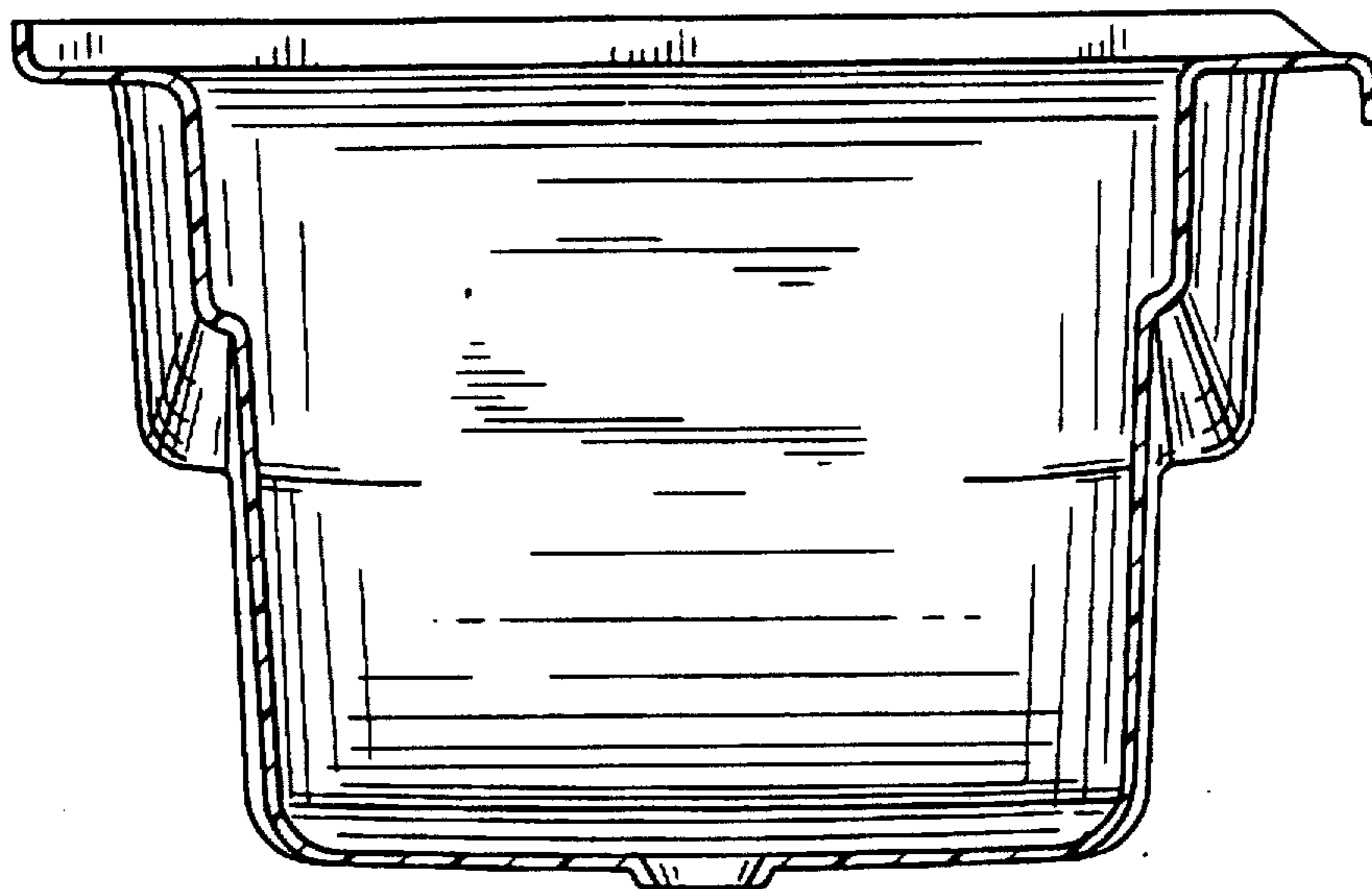
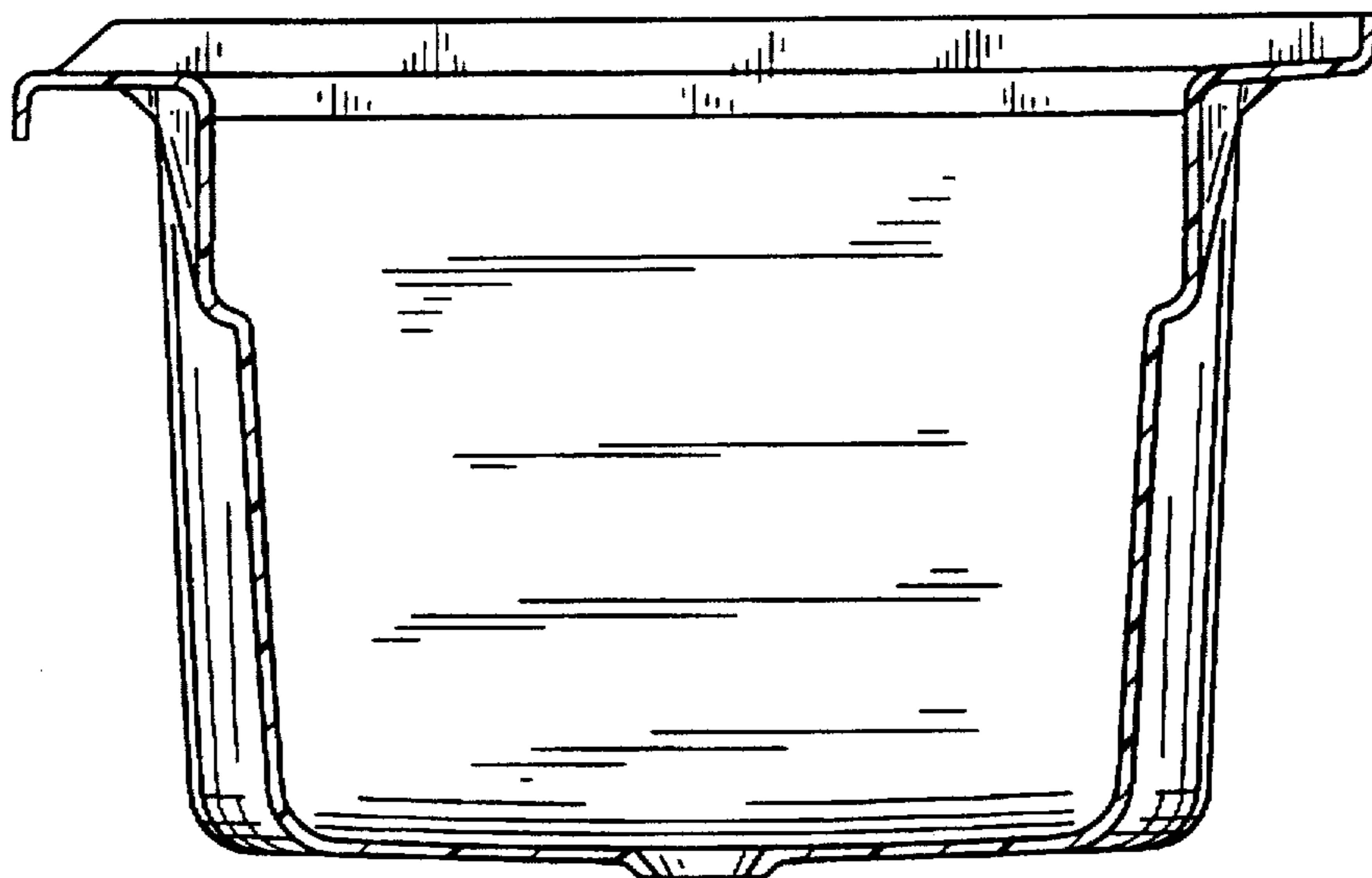


FIG. 9



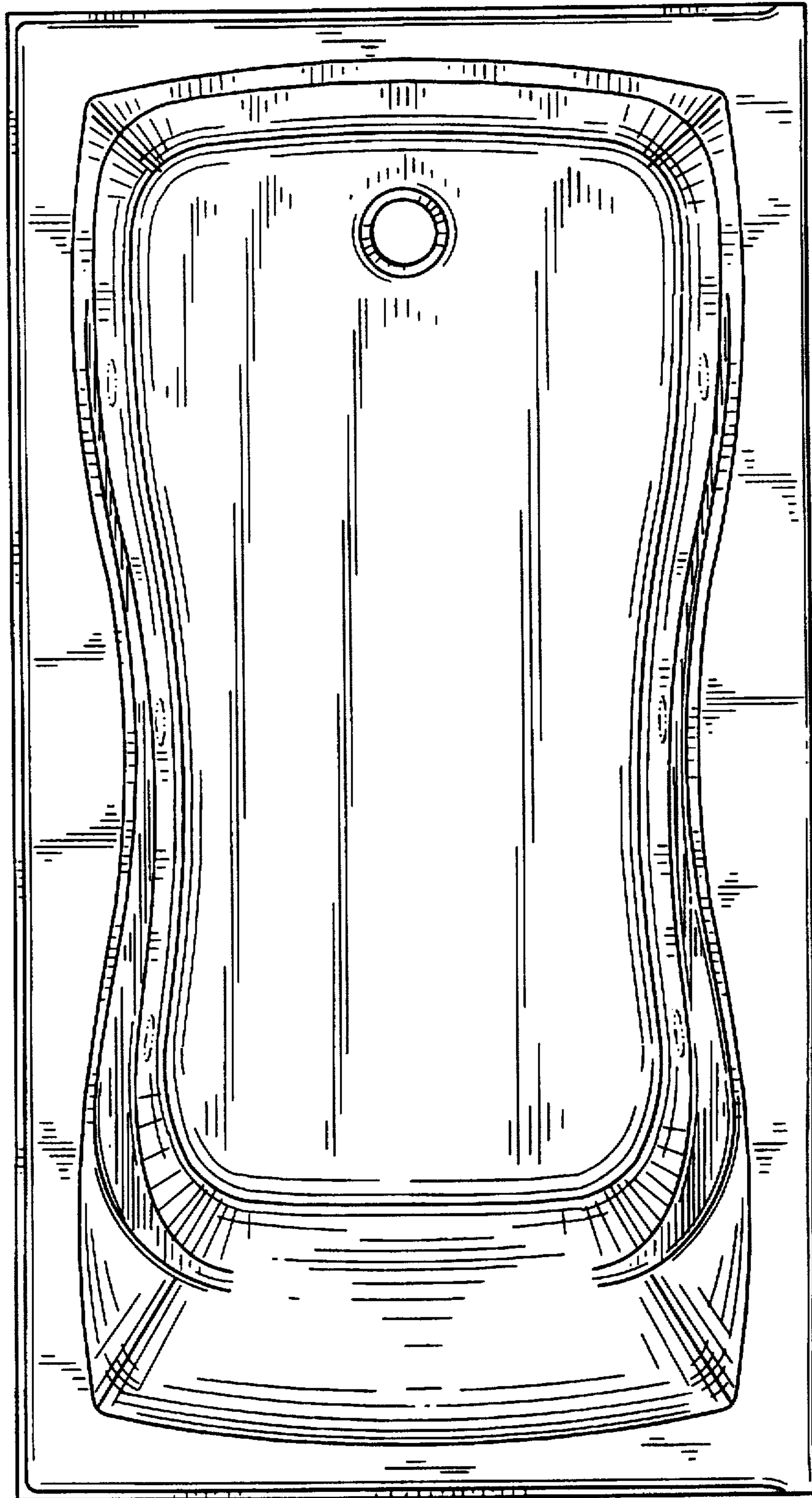


FIG. 10

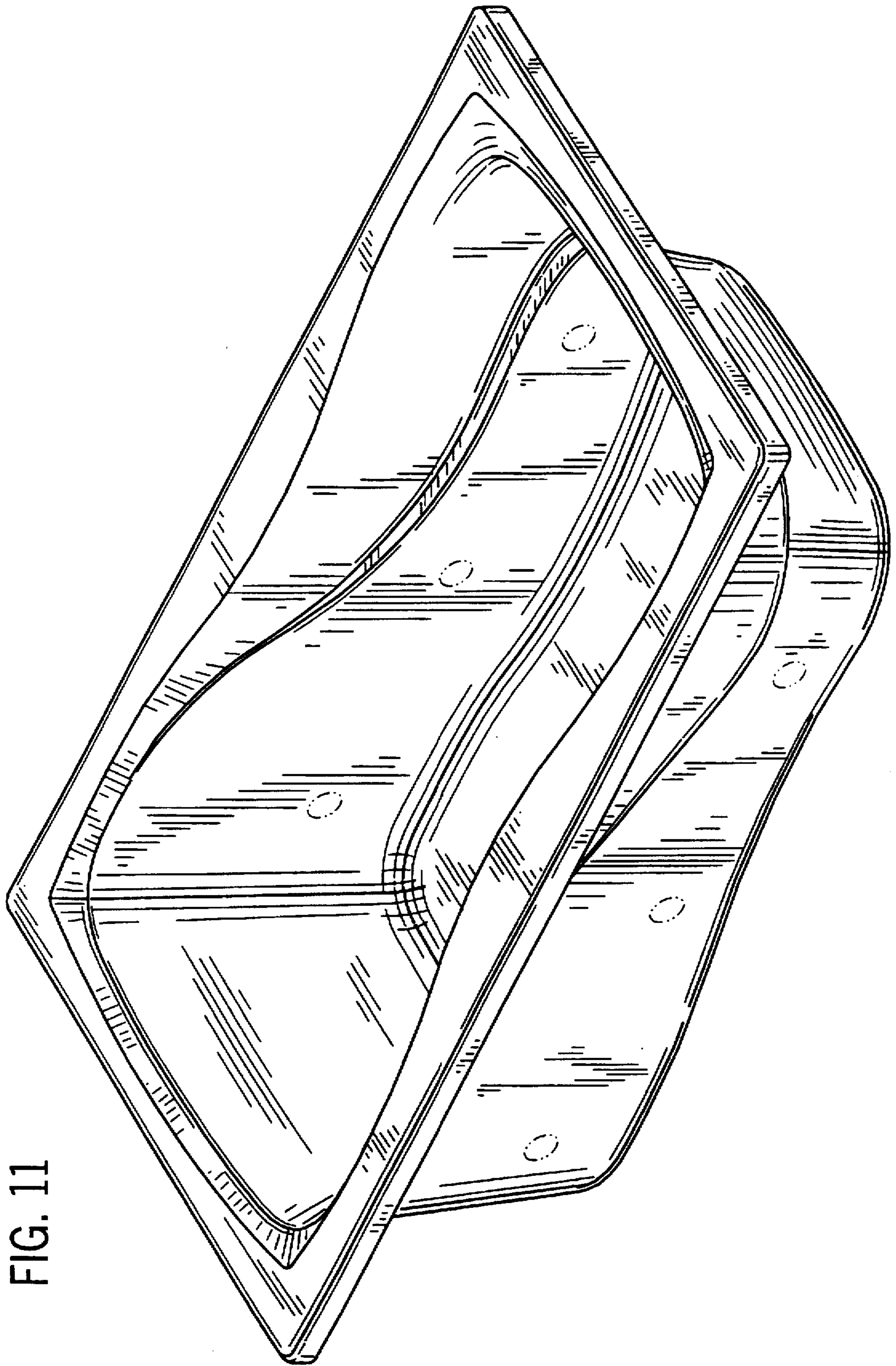


FIG. 11

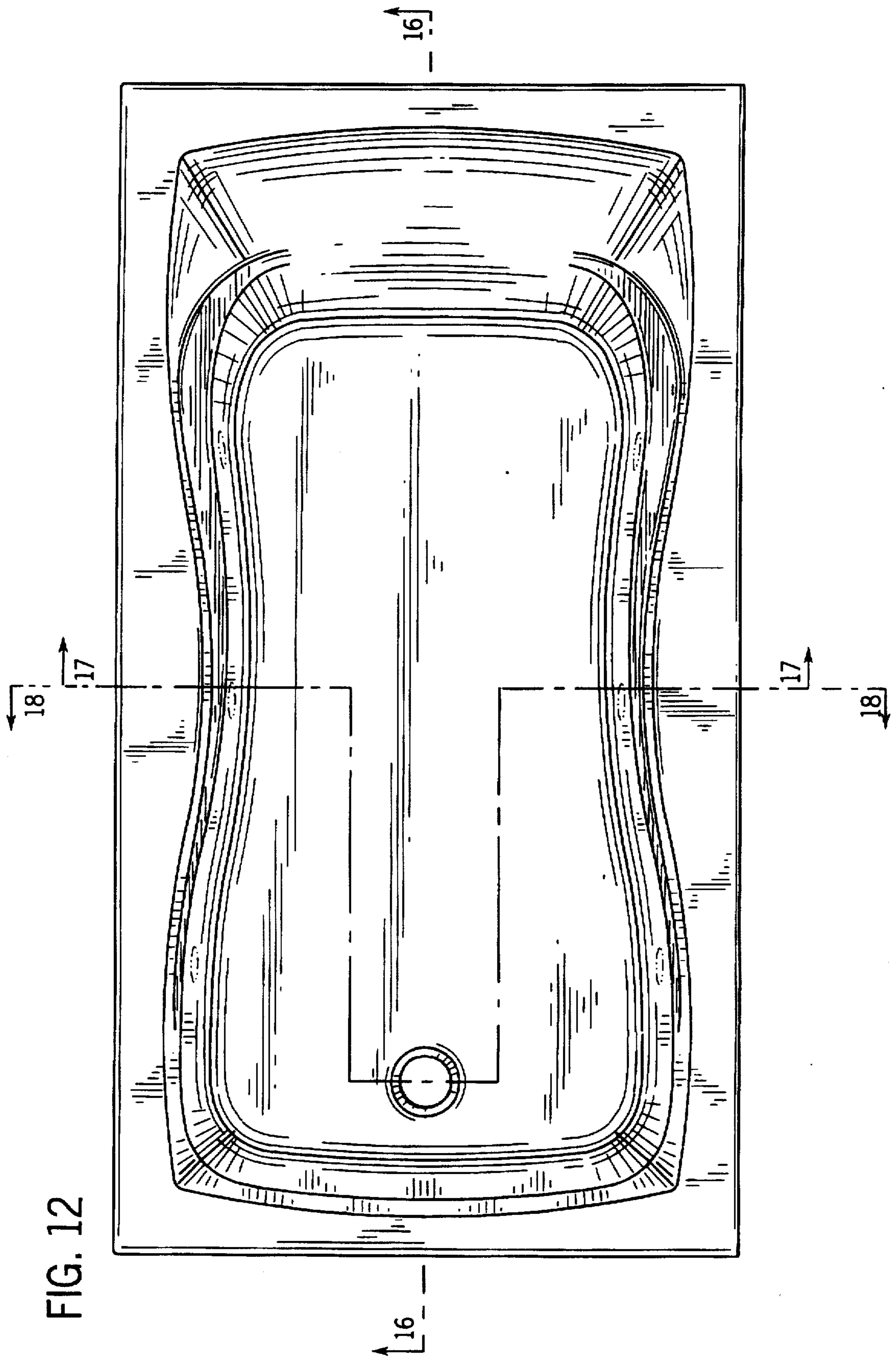


FIG. 12

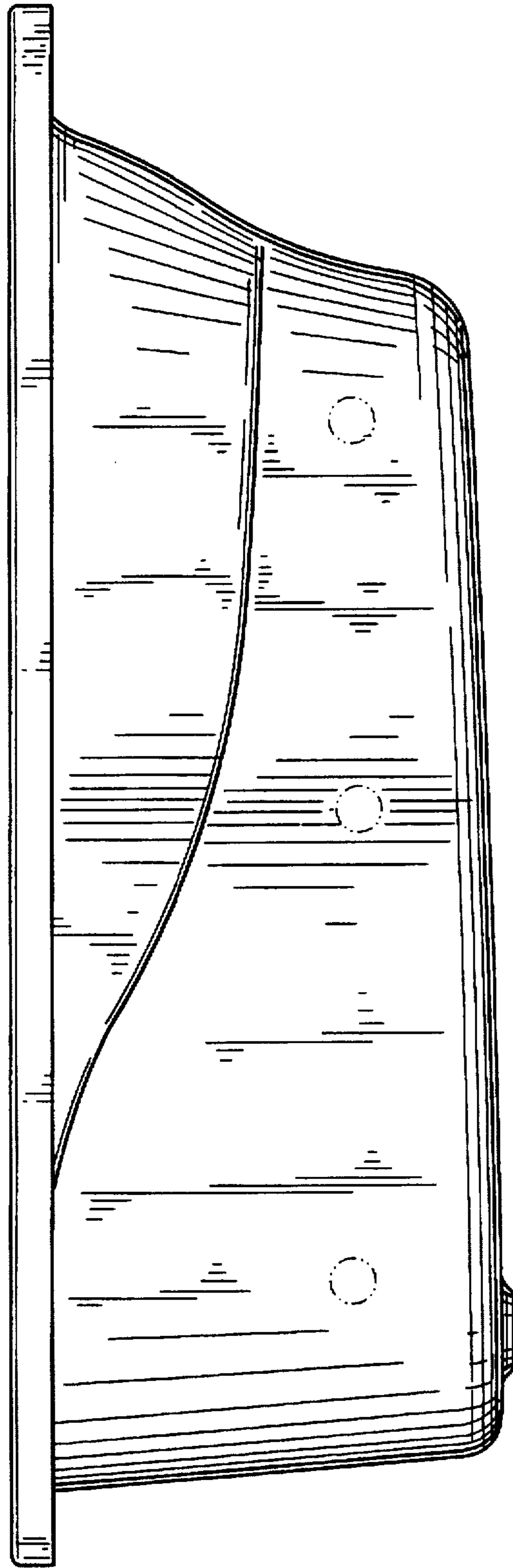


FIG. 13

FIG. 14

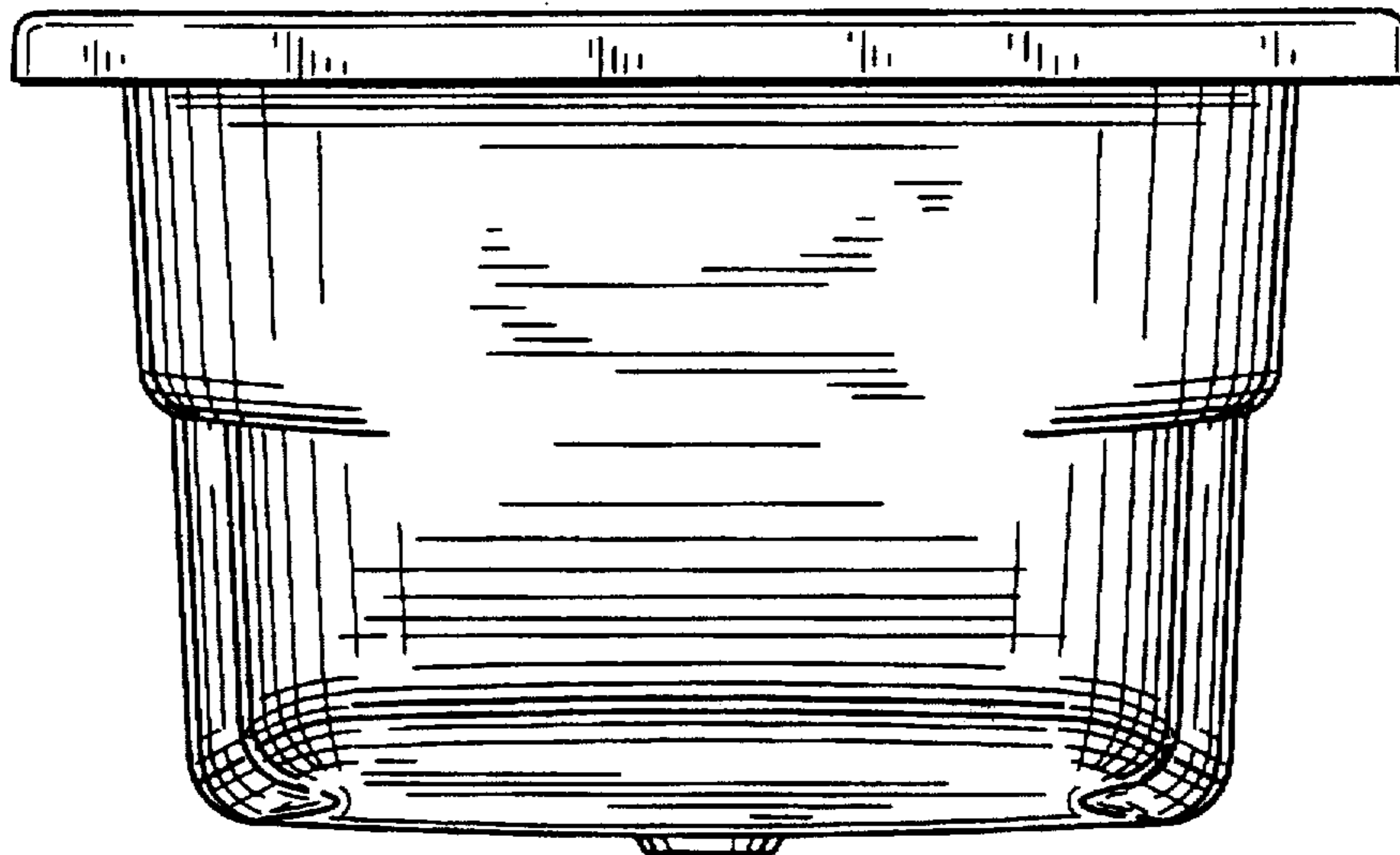


FIG. 15

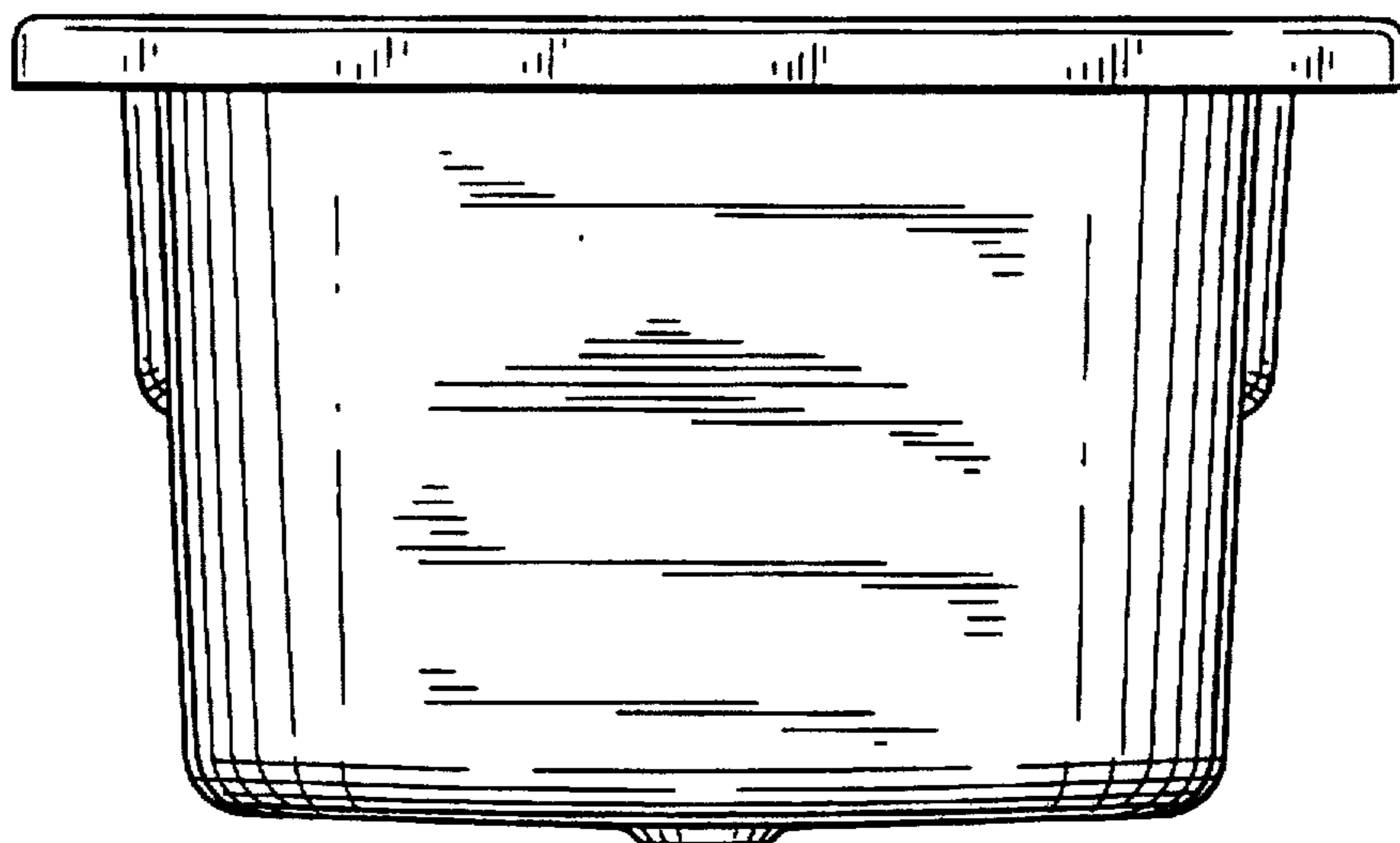


FIG. 16

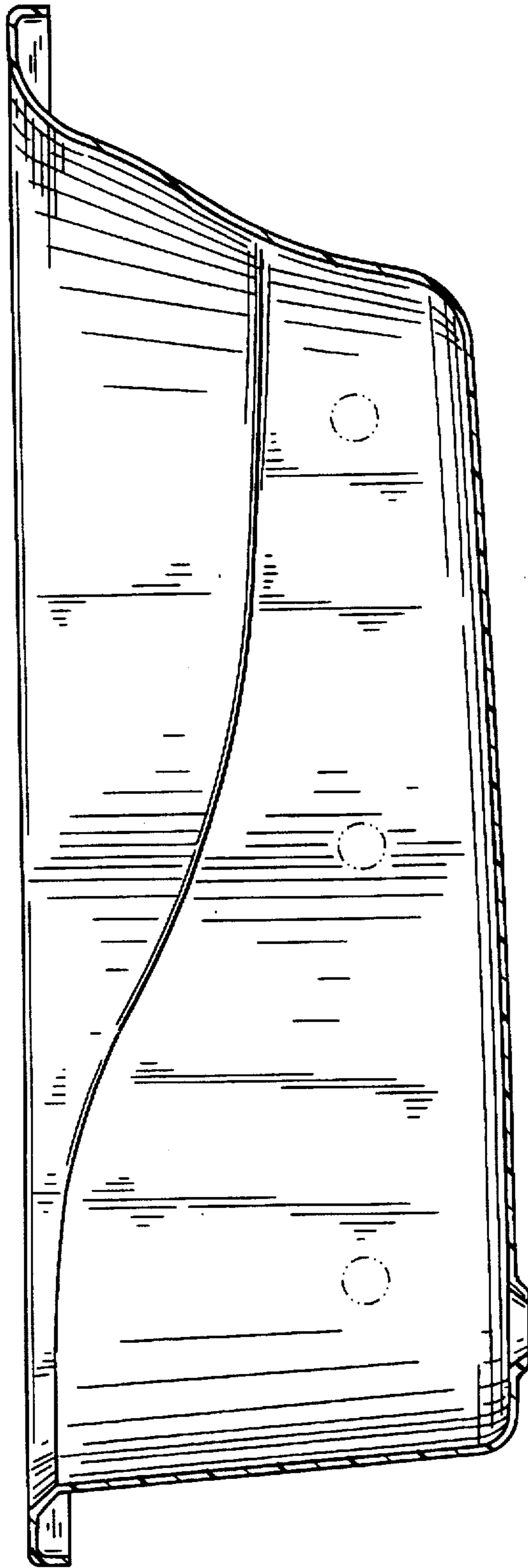


FIG. 17

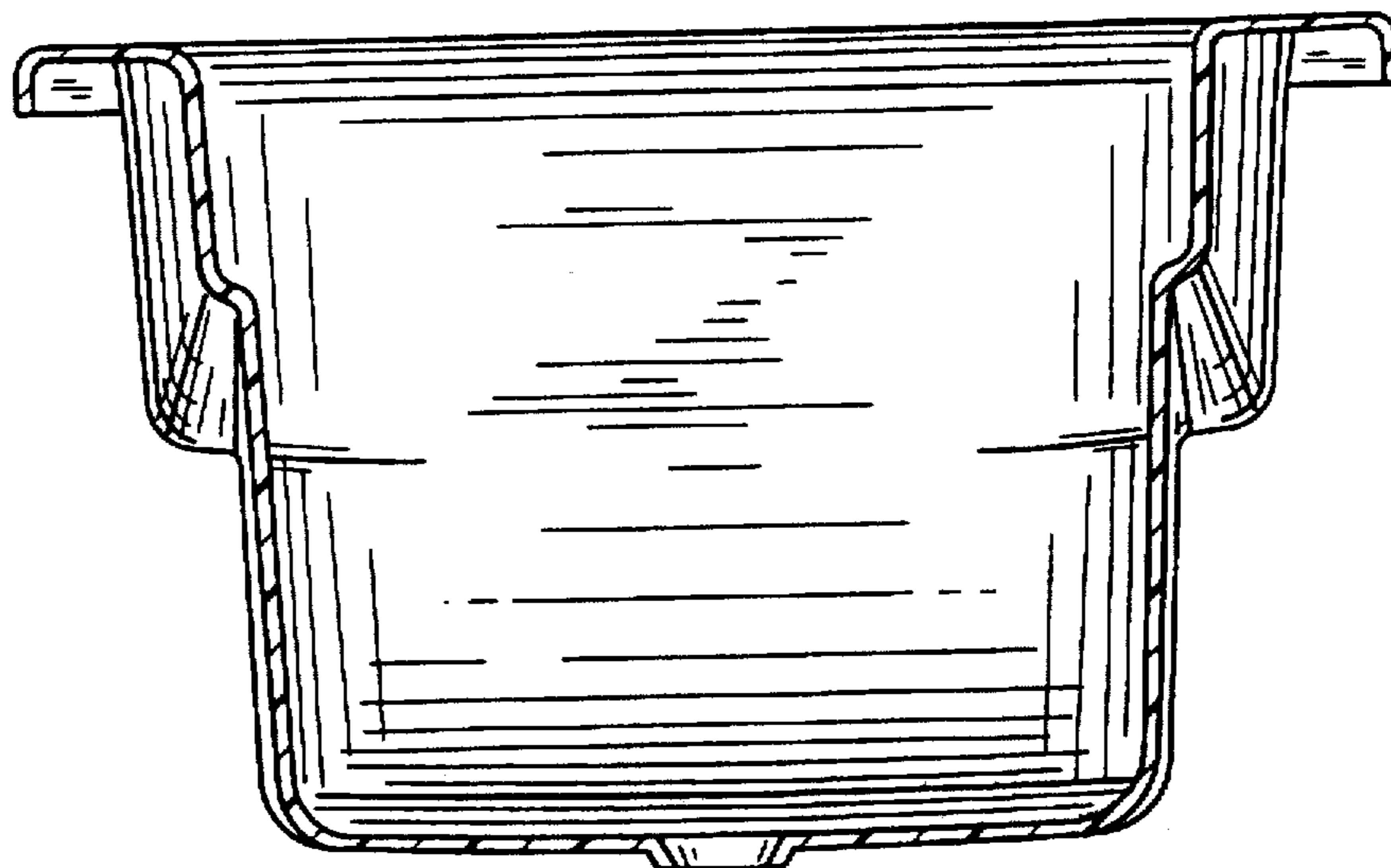


FIG. 18

